

DWG. NO. SD-55590-002

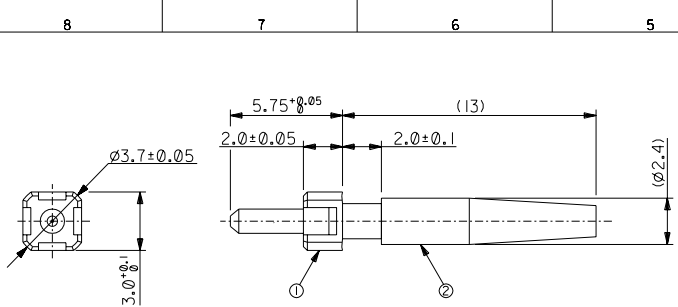
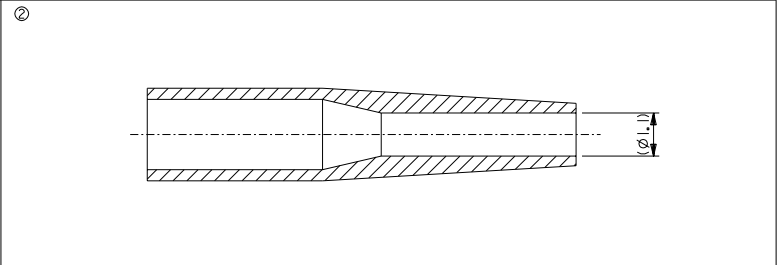
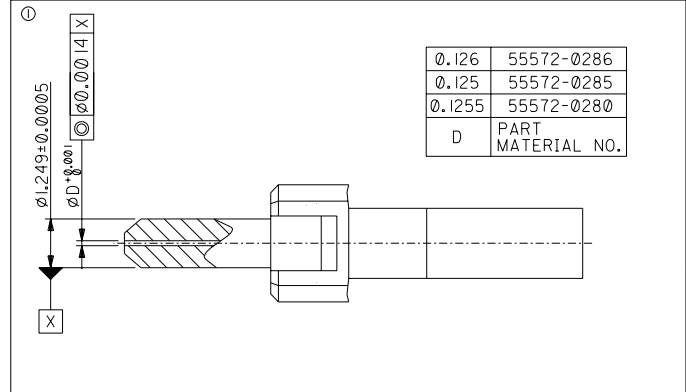


FIG. 1
SCALE : 5-1

QTY	PART TITLE	PART MATERIAL NO.	NO.	MATERIAL NO.
1	MU FERRULE	55572-028*	①	55590-028*
1	MU BOOT	59128-0101	②	

注記
NOTE

1. FIG. 1は仮に組み立てたプラグの構成部品の一例を示す。
FIG.1 SHOWS ONE EXAMPLE OF THE COMPOSITION PARTS OF THE ASSEMBLED PLUG.



55572-0286	55590-0286
55572-0285	55590-0285
55572-0280	55590-0280
①	MATERIAL NO.
MODEL NO. : 55590-028*	

DO NOT SCALE DRAWING

EC NO. DRWN: CHK: APPR:	EC NO. DRWN: CHK: APPR:	REVISED 02/11/03	MATERIAL 材料	GENERAL TOLERANCES: (UNLESS SPECIFIED) 一般公差	SCALE 10-1	DESIGN UNITS <input checked="" type="checkbox"/> mm <input type="checkbox"/> INCH	THIRD ANGLE PROJECTION <input checked="" type="checkbox"/> mm ONLY	SHT REV		
		REVISED 02/11/03							FINISH 仕上り	10 UNDER 未満
EC NO. DRWN: CHK: APPR:	EC NO. DRWN: CHK: APPR:	REVISED 02/11/03	DESCRIPTION	10 OVER 以上	30 UNDER 未満	+0.25	CHECKED BY & DATE A.SHIMOTSU 01/02/05	REVISE ON CAD ONLY		
		REVISED 02/11/03							WIRE RANGE 適用電線範囲	30 OVER 以上
B	A	0	REV	ANGLE 角度		+3°	CAD FILENAME 55590002.S01	MATERIAL NO. 55590-028*	DRAWING NO. SD-55590-002	SHEET NO. 1 OF 1
THIS DRAWING CONTAINS INFORMATION THAT IS PROPRIETARY TO MOLEX INCORPORATED AND SHOULD NOT BE USED WITHOUT WRITTEN PERMISSION.										

EN-02J(097) MXJ-54