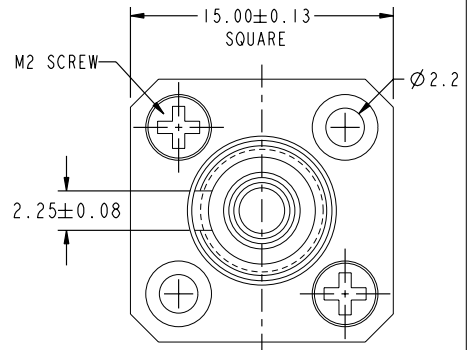
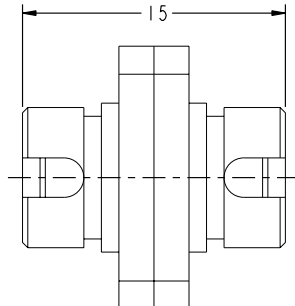
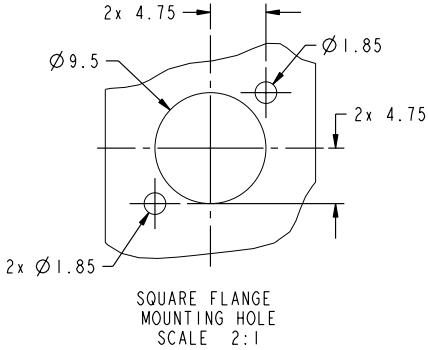


Tous droits strictement réservés. Reproduction ou communication o des liens interdite sous quelque forme que ce soit sans autorisation écrite du propriétaire. Propriete de c FCI. Droits de reproduction FCI.

All rights strictly reserved. Reproduction or issue to third parties in any form whatever is not permitted without written authority from the proprietor. Property of FCI. Copyright FCI.

FCI P/N NOTE 1	DESCRIPTION
74883-001LF	ADAPTER, SQUARE FLANGED, FC/FC, W/PB SLEEVE
74883-002LF	ADAPTER, SQUARE FLANGED, FC/FC, W/ZR SLEEVE



NOTES:

- 1. THIS PRODUCT WITH "LF" SUFFIX MEETS EUROPEAN UNION DIRECTIVES AND OTHER COUNTRY REGULATIONS AS DESCRIBED IN GS-22-008. "LF" SUFFIX INDICATES THIS PRODUCT IS LEAD FREE.

mat'l code				SEE NOTES				tolerances unless otherwise specified				CUSTOMER		FCI	
ltr	ecn no.	dr	date	linear	0.X ± 0.3	projection	COPY	title				www.fciconnect.com			
A	V90732	RN	3/16/99	0.XX ± 0.10	MM	ADAPTER, FC	product family FIBER OPTICS				code 213				
B	V11223	JJK	3/29/01	0.XXX ± 0.050	angles	0° ± 2°	size	dwg no 74883				sheet 1 of 4			
C	V12355	JJK	11/7/01	0° ± 2°	dr	J. KILE 3/20/01	scale	3:1							
D	V05-0635	DAI	8/10/05		engr	G. WARNER 3/29/01									
					chr	G. WARNER 3/20/01									
					oppd	G. WARNER 3/20/01									
sheet index	revision sheet	D 1	D 2	D 3	D 4										

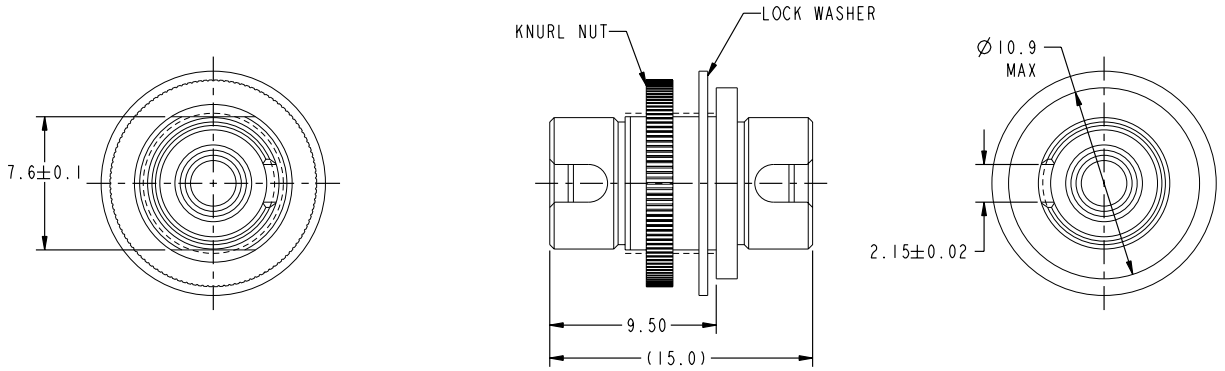
Pro/E 3 cage code 22526 4

PDM: Rev:D STATUS: Released Printed: Apr 08, 2008

Tous droits strictement réservés. Reproduction ou communication o des liens interdite sous quelque forme que ce soit sans autorisation écrite du propriétaire. Propriete de c FCI. Droits de reproduction FCI.

All rights strictly reserved. Reproduction or issue to third parties in any form whatever is not permitted without written authority from the proprietor. Property of FCI. Copyright FCI.

FCI P/N NOTE 1	DESCRIPTION
74883-003LF	ADAPTER, DD-MOUNT, FC/PC W/PB SLEEVE
74883-004LF	ADAPTER, DD-MOUNT, FC/PC W/ZR SLEEVE



DD-MOUNT
MOUNTING CUTOUT
SCALE 2:1

mat'l code		SEE NOTES	tolerances unless otherwise specified	CUSTOMER	www.fciconnect.com
lfr	ecm no.	dr	date	COPY	
D				projection	title
					ADAPTER, FC
					product family FIBER OPTICS
					code 213
					size dwg no
					74883
					sheet 2
sheet index	revision sheet				code code 22526

Pro/E 3 4

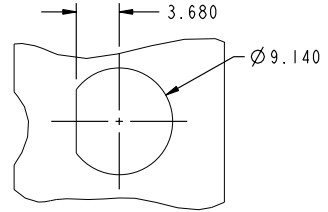
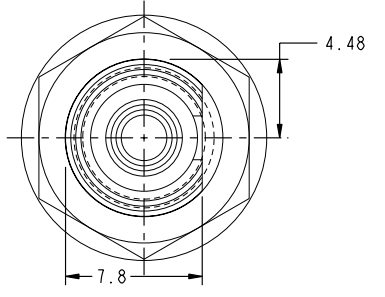
PDM: Rev:D STATUS:Released Printed: Apr 08, 2008

Tous droits strictement réservés. Reproduction ou communication o des tiers interdite sous quelque forme que ce soit sans autorisation écrite du propriétaire. Propriete de c FCI. Droits de reproduction FCI.

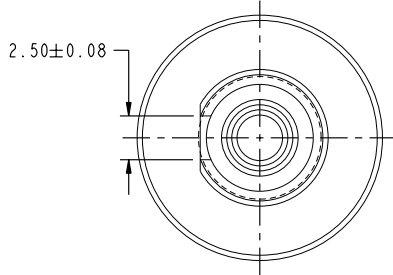
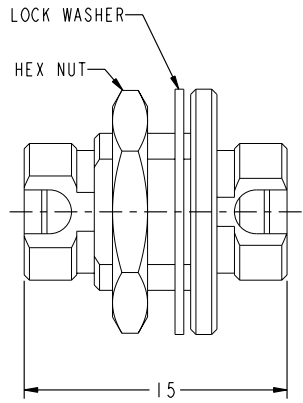
All rights strictly reserved. Reproduction or issue to third parties in any form whatever is not permitted without written authority from the proprietor. Property of FCI. Copyright FCI.



FCI P/N NOTE 1	DESCRIPTION
74883-005LF	ADAPTER, D-MOUNT, FC/PC W/PB SLEEVE
74883-006LF	ADAPTER, D-MOUNT, FC/PC W/ZR SLEEVE



D-MOUNT
MOUNTING HOLE
SCALE 2:1



mat'l code				SEE NOTES		tolerances unless otherwise specified		CUSTOMER	
ltr	ecn no.	dr	date	linear	0.X ± 0.3	projection	COPY	FCI www.fciconnect.com	
D				angles	0.XX ± 0.10	MM	ADAPTER, FC	product family	FIBER OPTICS
				dr	0.XXX ± 0.050	scale	74883	code	213
				enr	0° ± 2°	3:1	size	sheet	3
				chr	J. KILE 3/20/01		dwg no		
				appd	G. WARNER 3/29/01				
					G. WARNER 3/20/01				
sheet index	revision sheet							code code	22526

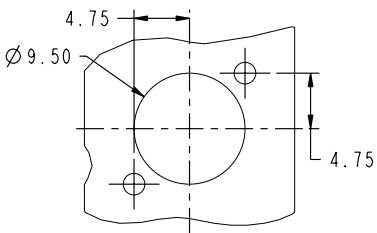
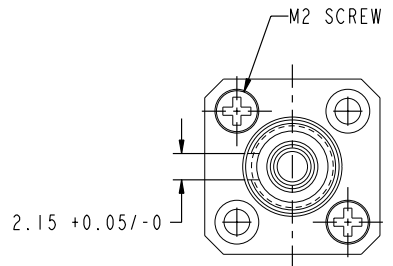
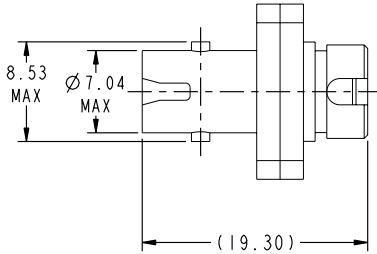
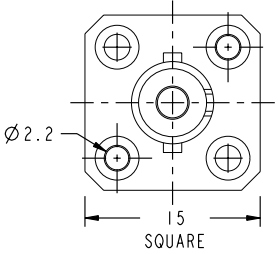
Pro/E 3 4

PDM: Rev:D STATUS: Released Printed: Apr 08, 2008

Tous droits strictement réservés. Reproduction ou communication o des tiers interdite sous quelque forme que ce soit sans autorisation écrite du propriétaire. Propriété de c FCI. Droits de reproduction FCI.

All rights strictly reserved. Reproduction or issue to third parties in any form whatever is not permitted without written authority from the proprietor. Property of FCI. Copyright FCI.

FCI P/N NOTE 1	DESCRIPTION
74883-102LF	ADAPTER, SQUARE FLANGED, FC/ST, W/ZR SLEEVE



SQUARE FLANGE
ADAPTER CUT OUT
SCALE 2:1

mat'l code				SEE NOTES	tolerances unless otherwise specified	CUSTOMER	www.fciconnect.com			
ltr	ecn no.	dr	date	linear	0.X ±0.3	COPY	title			
					0.XX ±0.10		ADAPTER, FC			
				angles	0.XXX ±0.050		product family	FIBER OPTICS	code	
				dr	J. KILE 3/20/01		size	dwg no	213	
				enr	G. WARNER 3/29/01		A	74883		
				chr	G. WARNER 3/20/01			sheet		4
				oppd	G. WARNER 3/20/01			code		22526
sheet index	revision sheet									

Pro/E 3 4

PDM: Rev:D STATUS:Released Printed: Apr 08, 2008