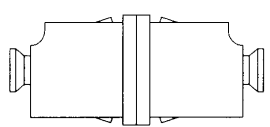


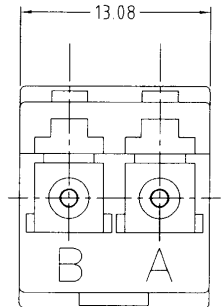
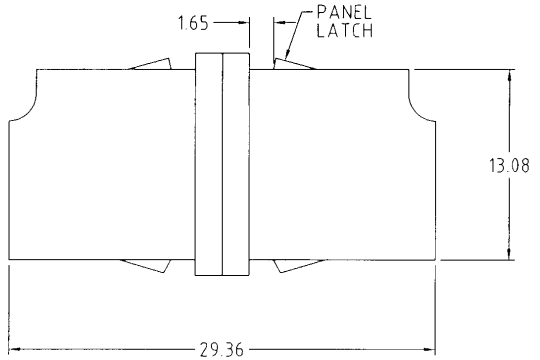
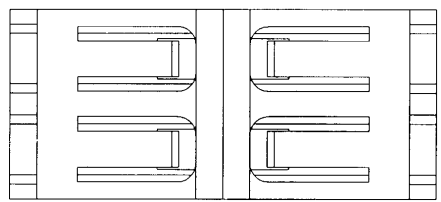
Tous droits strictement réservés. Reproduction ou communication à des tiers interdite sous quelque forme que ce soit sans autorisation écrite du propriétaire. Propriété de FCI. Droits de reproduction FCI.

All rights strictly reserved. Reproduction or issue to third parties in any form whatever is not permitted without written authority from the proprietor. Property of FCI. Copyright FCI.

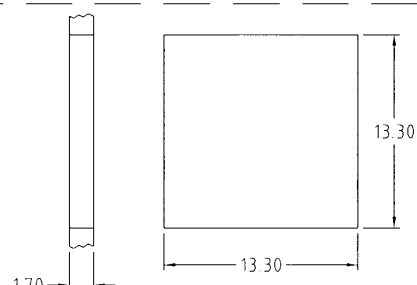
PRODUCT NUMBER	TYPE	COLOR
98157-001	SM	BLUE
98157-002	MM	BEIGE



ADAPTER WITH PROTECTIVE CAPS



NOTES:
1. PROTECTIVE CAPS PROVIDED



REQUIRED CUTOUT

mat'l. code				tolerances unless otherwise specified			CUSTOMER COPY	Electronics FCI	
ltr	ecn no	dr	date	linear	.X ±.3	projection	www.fciconnect.com		
A	v91119	RSN	5/7/99		.XX ±.13		title ADAPTER, DUPLEX, LC STANDARD PROFILE		
B	v91131	RSN	5/20/99	angles	.XXX ±.051		product family FIBER OPTICS code 213		
C	v02682	JJK	11/21/00		0° ±2°	mm	size A4 98157		sheet 1 of 1
				dr	R. NAUGLE	4/1/99	scale 2:1		
				enr	N. PETRILLO	4/1/99			
				chr	NPP	5/7/99			
				appd	N. PETRILLO	5/7/99			
sheet index	revision sheet	C 1						cage code 22526	

ACAD PDM: Rev:C STATUS Released Printed: Apr 11, 2008