

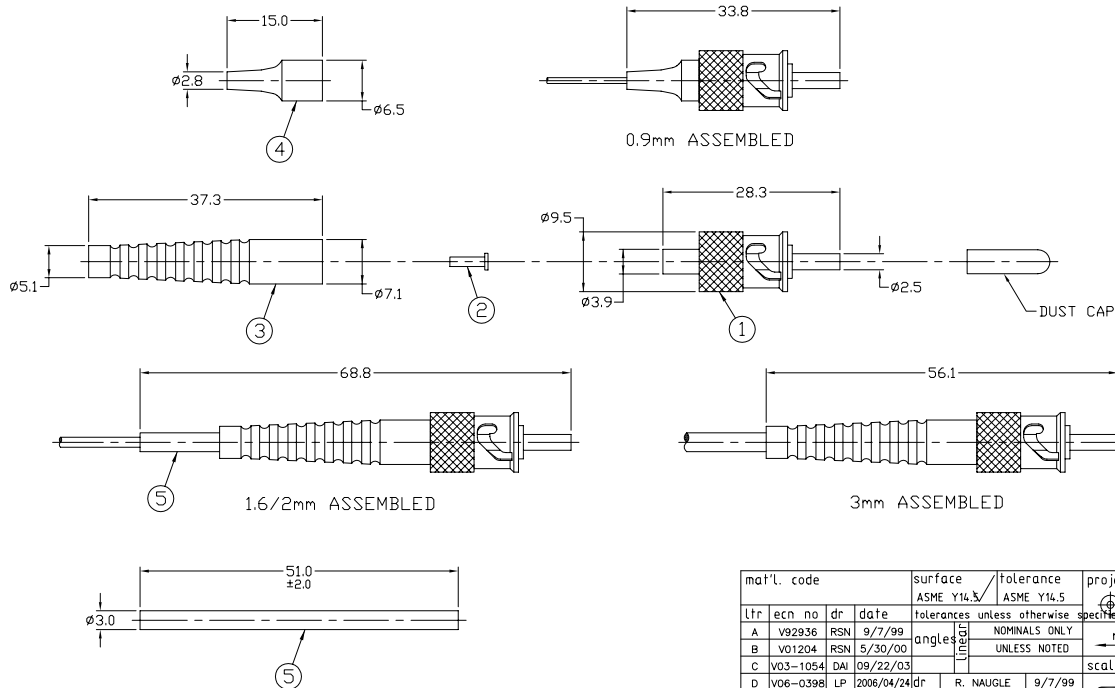
Copyright FCI.



FCIconnect.com

FCI P/N SEE NOTE 1	TYPE	CABLE SIZE	PLUG ASSY. P/N	BOOT P/N	BOOT COLOR	DUST CAP COLOR	EYELET	SHRINK TUBE P/N	SHRINK TUBE COLOR
98602-001LF	S/M	3mm	55425-001	98397-001	BLUE	BLUE	YES	N/A	N/A
98602-002LF	S/M	0.9mm	55425-001	98801-008	BLUE	BLUE	NO	N/A	N/A
98602-003LF	M/M	3mm	55425-002	98397-002	BLACK	BLACK	YES	N/A	N/A
98602-004LF	M/M	0.9mm	55425-002	98801-007	BLACK	BLACK	NO	N/A	N/A
98602-005LF	S/M	1.6/2mm	55425-001	98397-001	BLUE	BLUE	NO	98338-18Y	YELLOW
98602-006LF	M/M	1.6/2mm	55425-002	98397-002	BLACK	BLACK	NO	98338-18W	WHITE
98602-007LF	M/M	0.9mm	55425-002	98397-008	BLUE	BLACK	NO	N/A	N/A
98602-008LF	M/M	0.9mm	55425-002	98397-009	GREEN	BLACK	NO	N/A	N/A
98602-009LF	M/M	0.9mm	55425-002	98397-010	RED	BLACK	NO	N/A	N/A
98602-010LF	M/M	0.9mm	55425-002	98397-011	YELLOW	BLACK	NO	N/A	N/A

COMPONENTS		
ITEM	FCI P/N	DESCRIPTION
1	55425-XXX	ST PLUG ASSEMBLY
2	98185-001	EYELET
3	98397-XXX	ST STRAIN RELIEF 3mm
4	98801-XXX	ST STRAIN RELIEF 0.9mm
5	98338-XXX	HEAT SHRINK TUBING



NOTES:  
 1. THIS PRODUCT WITH "LF" SUFFIX MEETS EUROPEAN UNION\* MUST MEET DIRECTIVES AND OTHER COUNTRY REGULATIONS AS DESCRIBED IN GS-22-008. "LF" INDICATES THAT THE PRODUCT IS LEAD FREE.

mat'l. code		surface ASME Y14.5		tolerance ASME Y14.5		projection		product family FIBER OPTICS	
lfr	ecr no	dr	date	tolerances	unless otherwise specified	mm		title ST2 CONNECTOR	
A	v92936	RSN	9/7/99	angles	NOMINALS ONLY	mm		dwg no 98602	
B	v01204	RSN	5/30/00		UNLESS NOTED	scale N/A		sheet 1 of 1 size A4	
C	v03-1054	DAI	09/22/03					type CUSTOMER Drawing	
D	v06-0398	LP	2006/04/24	dr	R. NAUGLE	9/7/99	FCI		
				engr	N. PETRILLO	9/7/99			
				chr	NPP	9/7/99			
				appd	N. PETRILLO	9/7/99			
sheet index	revision sheet	D	1						

form: A4mmXLC

PDM: Rev:D STATUS Released Printed: Apr 11, 2008