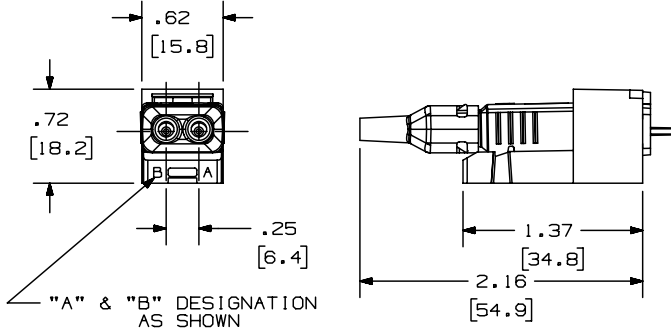
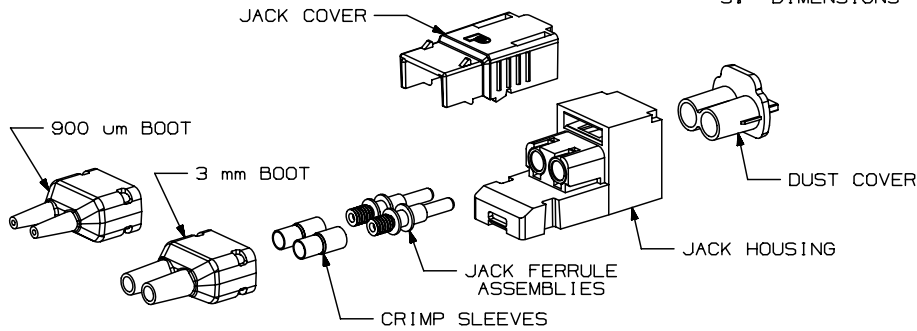


THIS COPY IS PROVIDED ON A RESTRICTED BASIS AND IS NOT TO BE USED IN ANY WAY DETRIMENTAL TO THE INTERESTS OF PANDUIT CORP.



PANDUIT P/N	WEIGHT	FERRULE TYPE
FJJGM5C**	.294 LB/10 PCS. (134.0 G/10 PCS.)	ZIRCONIA (CERAMIC)

- NOTES:
- SEE CURRENT CATALOG FOR ADDITIONAL PART NUMBER SUFFIXES TO INDICATE COLOR AND OR PACKAGE QUANTITY.
  - OPTI-JACK ACCEPTS HIGH PERFORMANCE 50/125 OR 62.5/125  $\mu$ m MULTIMODE GLASS OPTICAL FIBER CABLE.
  - THE MAXIMUM INSERTION LOSS PER CONNECTOR IS .75 dB. OPERATING TEMPERATURE RANGE IS FROM  $-40^{\circ}$  TO  $+70^{\circ}$  C.
  - FULLY COMPLIES WITH THE FIBER OPTIC CONNECTOR PERFORMANCE REQUIREMENTS AS SPECIFIED IN TIA/EIA-568-A.
  - DIMENSIONS IN PARENTHESES ARE IN METRIC.



FIBER-OPTIC CONNECTOR-DUPLEX JACK									
CUSTOMER DRAWING									
								PANDUIT <sup>TM</sup> CORP. TINLEY PARK, ILL 60477	
								ALL DIMENSIONS ARE GIVEN IN INCHES UNLESS OTHERWISE SPECIFIED. DIMENSIONAL TOLERANCES ARE: (..X) $\pm$ .2 (5.0) (..XXX) $\pm$ .010 (0.3) (..XX) $\pm$ .02 (0.5) ANGLES $\pm$ 1°	
						DRAWING FILENAME D35560DR_DC_FJJGM_01D.prt		SCALE NONE	
						DRAWN BY TPC		PART NO. FJJGM5C**	
						DATE 12-31-96		DRAWING NO. 35560-69	
						CHECK'D CEF		SIZE A	
4	05-11-05	MYW		RELEASED TO PRODUCTION	35560-69			SEE NOTES	
REV	DATE	BY	CHK	DESCRIPTION	ECN	R	CUST	SUP	OTH