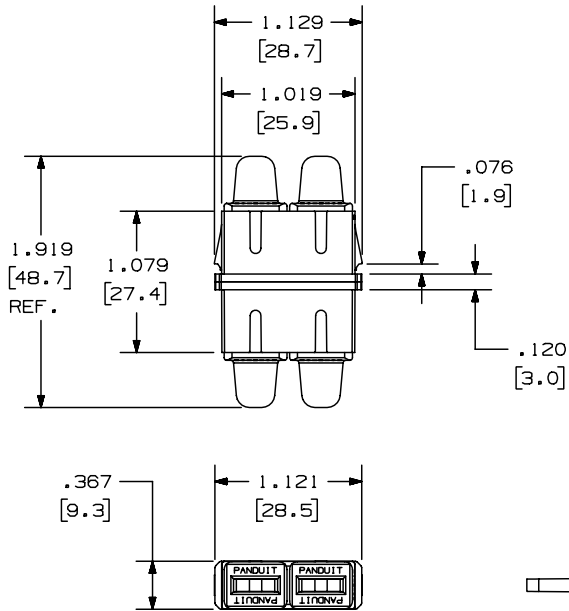


THIS COPY IS PROVIDED ON A RESTRICTED BASIS AND IS NOT TO BE USED IN ANY WAY DETRIMENTAL TO THE INTERESTS OF PANDUIT CORP.



PANDUIT P/N	WEIGHT	SPLIT SLEEVE TYPE
FADSCAQ-L	.7 lbs/50 Pcs (315.6 g/50 Pcs)	PHOS BRONZE
FADSCEI-L		
FADSCZAG-L	.7 lbs/50 Pcs (315.6 g/50 Pcs)	ZIRCONIA
FADSCZAQ-L		
FADSCZBU-L		

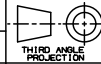
- NOTES:
- SEE CURRENT CATALOG FOR ADDITIONAL PART NUMBERS, COLORS, AND OR PACKAGE QUANTITIES.
 - SEE CATALOG FOR COMPLETE LIST OF PARTS APPLICABLE FOR USE WITH THIS PART.
 - MATERIAL:
 - ADAPTER HOUSING: PLASTIC
 - SPLIT SLEEVE: SEE TABLE
 - INNER LATCH: PLASTIC
 - DUST CAP: PLASTIC
 - COMPLIANT WITH TIA/EIA-604-3 (FOCIS-3) AND TIA/EIA-568B.3
 - DIMENSIONS IN BRACKETS ARE METRIC [mm]



FIBER ADAPTER DUPLEX SC
CUSTOMER DRAWING



PANDUIT™
CORP.
TINLEY PARK, ILL 60477



ALL DIMENSIONS ARE GIVEN IN INCHES,
UNLESS OTHERWISE SPECIFIED.
DIMENSIONAL TOLERANCES ARE:
(.X) (.XXX) ±.010 (0.3)
(.XX) ±.02 (0.5) ANGLES

DRAWING FILENAME
MO115BF_DC_00B.prt

SCALE
NONE

DRAWN BY
MC

REVIEW DRAWING NUMBERS

PART NO.
SEE TABLE

REV	DATE	BY	CHK	DESCRIPTION	ECN	R	CUST	SUP	OTH	CHK'D	MTV
1	01-05-05	MC		RELEASED TO PRODUCTION	01115-08						

DRAWING NO.	SIZE
01115-08	A