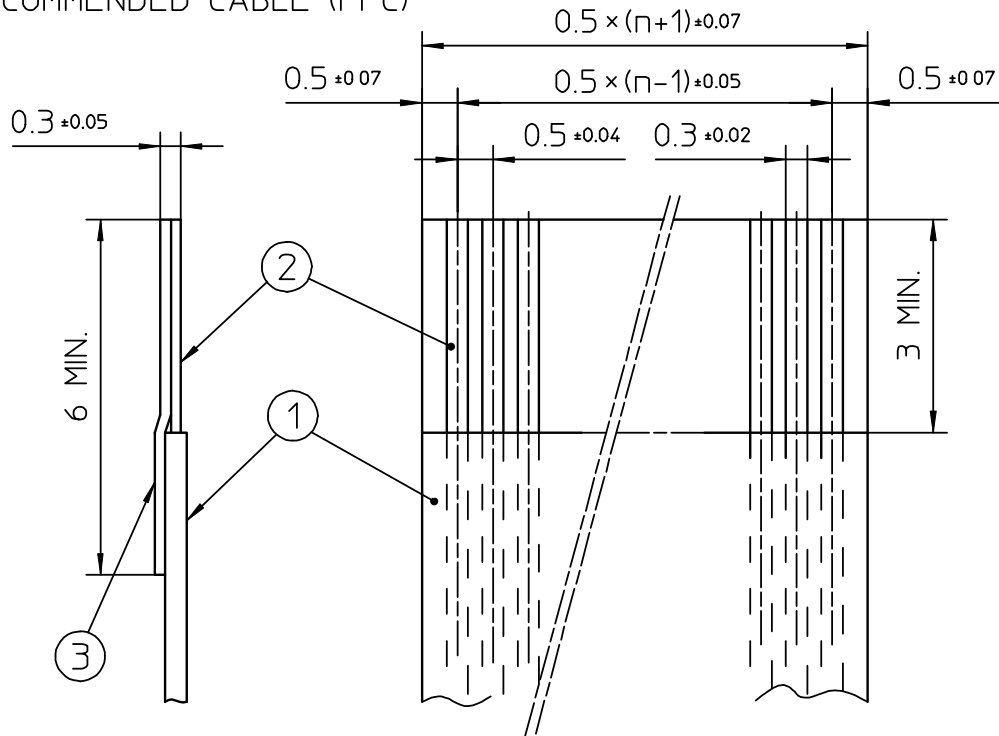


RECOMMENDED CABLE (FFC)

n : NO. OF CONTACTS




| KIND OF FFC (NOTE3) | DIMENSIONAL TOLERANCE |       |       |        |
|---------------------|-----------------------|-------|-------|--------|
|                     | a                     | b     | c     | d      |
| 1                   | ±0.07                 | ±0.04 | ±0.05 | ±0.02  |
| 2                   | ±0.1                  | ±0.03 | ±0.03 | ±0.025 |

| PT. NO. | PARTS NAME      | MATERIAL                             | NOTE                                 |
|---------|-----------------|--------------------------------------|--------------------------------------|
| 1       | INSULATOR       | FLAME RESISTING POLYESTER OR EQUAL   | _____                                |
| 2       | CONDUCTOR       | COPPER FOIL:THICKNESS<br>35 OR 50 μm | PLATING : TIN OR SOLDER<br>1 μm MIN. |
| 3       | SUPPORTING TAPE | FLAME RESISTING POLYESTER OR EQUAL   | _____                                |

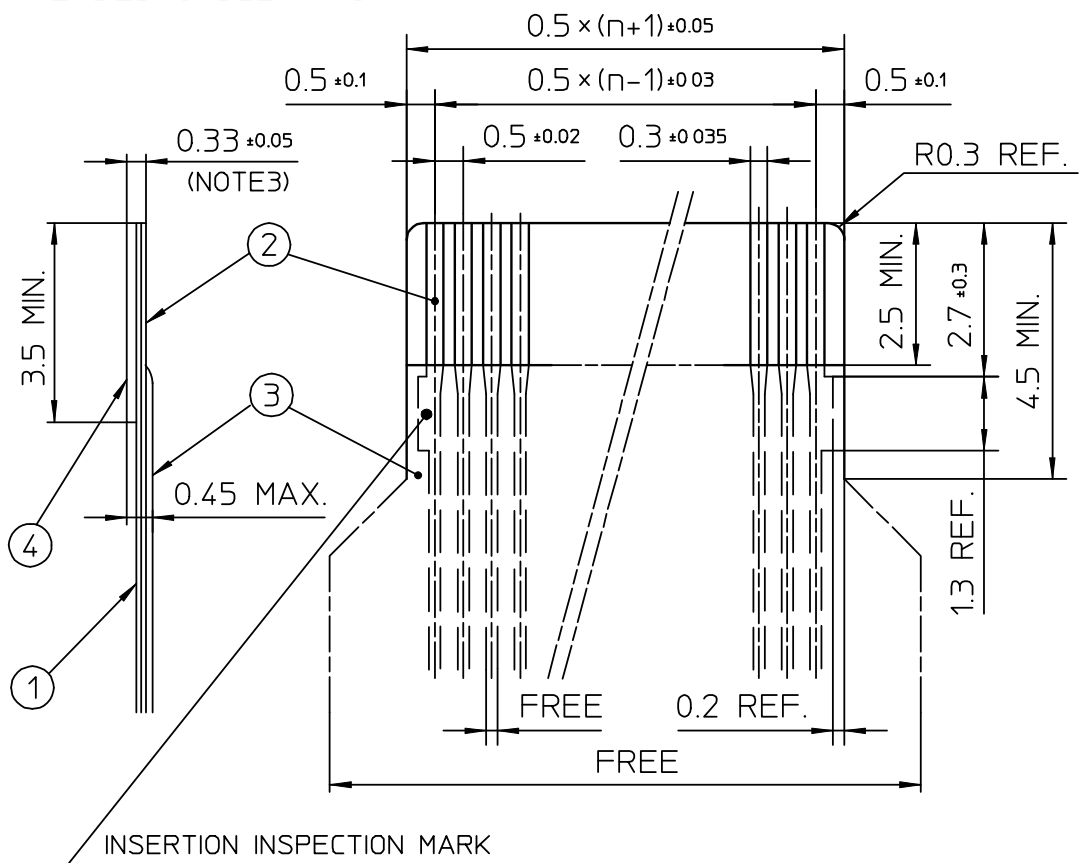
NOTES

1. NO BURR AT EACH PORTION.
2. NO PEELING IN COMMON USE.
3. EITHER KIND1 OR KIND2 OF FFC CAN ACCEPT DIMENSIONAL TOLERANCE a,b,c AND d.

|      |      |             |      |          |      |   |     |
|------|------|-------------|------|----------|------|---|-----|
|      |      |             |      | SCALE    | ×    | RECOMMENDED CABLE   |     |
|      |      |             |      | DIM. IN  | mm   | CAT NO.   |     |
|      |      |             |      | DESIGNED |      | SFV__R-1/2ST__  |     |
|      |      |             |      | DRAWN    |      | DRAWING NO  | REV |
|      |      |             |      | CHECKED  |      | JSA 92457   |     |
|      |      |             |      | APPROVED |      |  DF-136<br>REV.B |     |
| REV. | DATE | DESCRIPTION | DWN. | APPD.    | DATE |   |     |

RECOMMENDED CABLE (FPC)


n · NO. OF CONTACTS

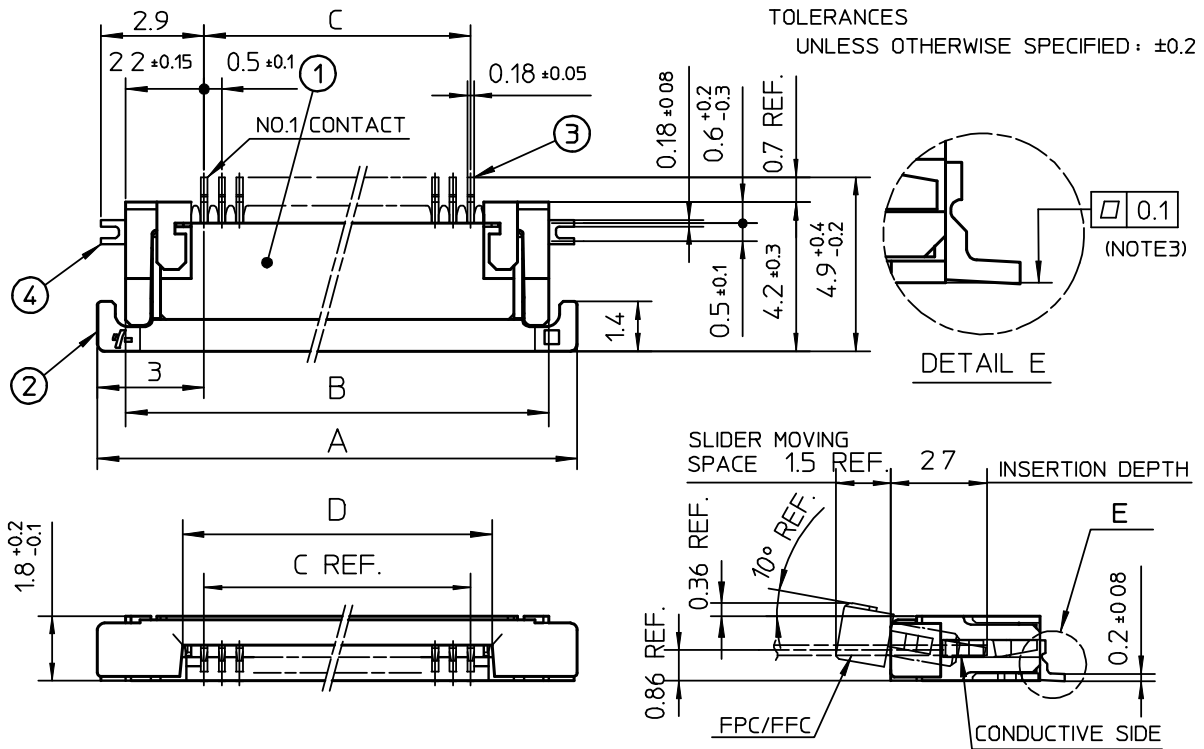


| PT. NO. | PARTS NAME      | MATERIAL                               | THICKNESS(μm) |
|---------|-----------------|--|---------------|
| 1       | BASE FILM       | POLYIMIDE OR POLYESTER OR EQUAL        | 25            |
| 2       | CONDUCTOR       | COPPER FOIL(PLATING : SOLDER 1μm MIN.) | 35            |
| 3       | OVERLAY         | POLYIMIDE OR POLYESTER OR EQUAL        | —             |
| 4       | SUPPORTING TAPE | POLYESTER OR POLYIMIDE OR EQUAL        | 188           |

NOTES

1. NO BURR AT EACH PORTION
2. NO PEELING IN COMMON USE.
3. TOTAL THICKNESS LIMIT OF EACH MATERIAL (INCLUDING ADHESIVE AGENT) IS SPECIFIED.

|      |      |             |      |          |      |   |     |
|------|------|-------------|------|----------|------|---|-----|
|      |      |             |      | SCALE    | ×    | RECOMMENDED CABLE   |     |
|      |      |             |      | DIM. IN  | mm   | CAT NO.   |     |
|      |      |             |      | DESIGNED |      | SFV__R-1/2ST__  |     |
|      |      |             |      | DRAWN    |      | DRAWING NO  | REV |
|      |      |             |      | CHECKED  |      | JSA 92456   |     |
|      |      |             |      | APPROVED |      |  DF-136<br>REV.B |     |
| REV. | DATE | DESCRIPTION | DWN. | APPD.    | DATE |   |     |

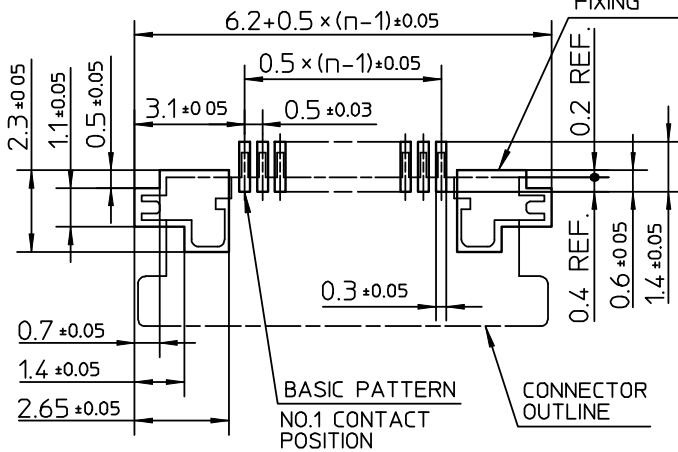


| PT. NO | PARTS NAME     | MATERIAL                                   | Q'TY | NOTE              |
|--------|----------------|--|------|-------------------|
| 1      | HOUSING        | POLYAMIDE RESIN GLASS REINFORCED (UL94V-0) | 1    | COLOR:BLACK       |
| 2      | SLIDER         | PPS RESIN GLASS REINFORCED (UL94V-0)       | 1    | COLOR:BROWN       |
| 3      | CONTACT        | PHOSPHOR BRONZE                            | n    | PLATING:TIN ALLOY |
| 4      | MOUNTING PLATE |  | 2    |                   |

RECOMMENDED PC BOARD LAYOUT  
(COMPONENT SIDE)


PATTERN FOR MOUNTING PLATE  
FIXING

n : NO. OF CONTACTS



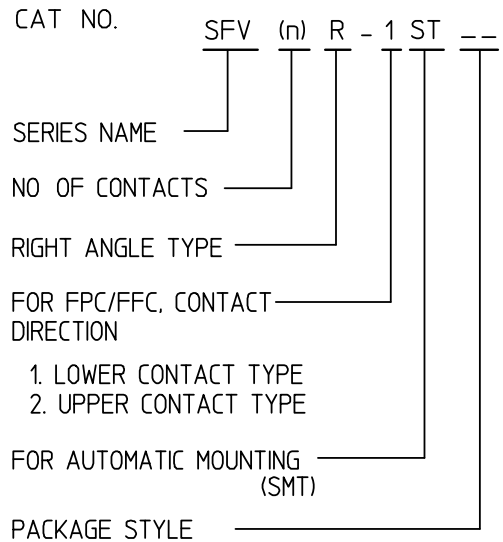
NOTES

1. THIS PRODUCT IS THE CONNECTOR USED FOR FPC/FFC AND COPEs WITH AUTOMATIC MOUNTING (SMT).
2. THIS PRODUCT IS LOWER CONTACT TYPE CONNECTOR
3. FLATNESS OF CONTACT TERMINAL AND MOUNTING PLATE MUST BE WITHIN TOLERANCE IN E PORTION DETAILED DRAWING.

|      |      |             |      |          |      |   |     |
|------|------|-------------|------|----------|------|---|-----|
|      |      |             |      | SCALE    | ∞    | CONNECTOR USED FOR FPC/FFC WITH 0.5 MM CONTACT SPACING                                |     |
|      |      |             |      | DIM. IN  | mm   | CAT NO.   |     |
|      |      |             |      | DESIGNED |      | SFV__R-1ST__  |     |
|      |      |             |      | DRAWN    |      | DRAWING NO  | REV |
|      |      |             |      | CHECKED  |      | JSA 92451   |     |
|      |      |             |      | APPROVED |      |  |     |
| REV. | DATE | DESCRIPTION | DWN. | APPD.    | DATE |   |     |


CAT. NO. & DIMENSIONS

| NO OF CONTACTS (n) | CAT. NO.       | DIMENSIONS (NOTE2) |        |        |        |
|--------------------|----------------|--------------------|--------|--------|--------|
|                    |                | A ± 02             | B ± 02 | C ± 01 | D ± 01 |
| 4                  | SFV4R-1/2ST__  | 75                 | 5.9    | 1.5    | 2.7    |
| 5                  | SFV5R-1/2ST__  | 80                 | 6.4    | 2.0    | 3.2    |
| 6                  | SFV6R-1/2ST__  | 85                 | 6.9    | 2.5    | 3.7    |
| 7                  | SFV7R-1/2ST__  | 90                 | 7.4    | 3.0    | 4.2    |
| 8                  | SFV8R-1/2ST__  | 95                 | 7.9    | 3.5    | 4.7    |
| 9                  | SFV9R-1/2ST__  | 100                | 8.4    | 4.0    | 5.2    |
| 10                 | SFV10R-1/2ST__ | 105                | 8.9    | 4.5    | 5.7    |
| 11                 | SFV11R-1/2ST__ | 110                | 9.4    | 5.0    | 6.2    |
| 12                 | SFV12R-1/2ST__ | 115                | 9.9    | 5.5    | 6.7    |
| 13                 | SFV13R-1/2ST__ | 120                | 10.4   | 6.0    | 7.2    |
| 14                 | SFV14R-1/2ST__ | 125                | 10.9   | 6.5    | 7.7    |
| 15                 | SFV15R-1/2ST__ | 130                | 11.4   | 7.0    | 8.2    |
| 16                 | SFV16R-1/2ST__ | 135                | 11.9   | 7.5    | 8.7    |
| 17                 | SFV17R-1/2ST__ | 140                | 12.4   | 8.0    | 9.2    |
| 18                 | SFV18R-1/2ST__ | 145                | 12.9   | 8.5    | 9.7    |
| 19                 | SFV19R-1/2ST__ | 150                | 13.4   | 9.0    | 10.2   |
| 20                 | SFV20R-1/2ST__ | 155                | 13.9   | 9.5    | 10.7   |
| 21                 | SFV21R-1/2ST__ | 160                | 14.4   | 10.0   | 11.2   |
| 22                 | SFV22R-1/2ST__ | 165                | 14.9   | 10.5   | 11.7   |
| 23                 | SFV23R-1/2ST__ | 170                | 15.4   | 11.0   | 12.2   |
| 24                 | SFV24R-1/2ST__ | 175                | 15.9   | 11.5   | 12.7   |
| 25                 | SFV25R-1/2ST__ | 180                | 16.4   | 12.0   | 13.2   |
| 26                 | SFV26R-1/2ST__ | 185                | 16.9   | 12.5   | 13.7   |
| 27                 | SFV27R-1/2ST__ | 190                | 17.4   | 13.0   | 14.2   |
| 28                 | SFV28R-1/2ST__ | 195                | 17.9   | 13.5   | 14.7   |
| 29                 | SFV29R-1/2ST__ | 200                | 18.4   | 14.0   | 15.2   |
| 30                 | SFV30R-1/2ST__ | 205                | 18.9   | 14.5   | 15.7   |
| 31                 | SFV31R-1/2ST__ | 210                | 19.4   | 15.0   | 16.2   |
| 32                 | SFV32R-1/2ST__ | 215                | 19.9   | 15.5   | 16.7   |
| 33                 | SFV33R-1/2ST__ | 220                | 20.4   | 16.0   | 17.2   |
| 34                 | SFV34R-1/2ST__ | 225                | 20.9   | 16.5   | 17.7   |
| 35                 | SFV35R-1/2ST__ | 230                | 21.4   | 17.0   | 18.2   |



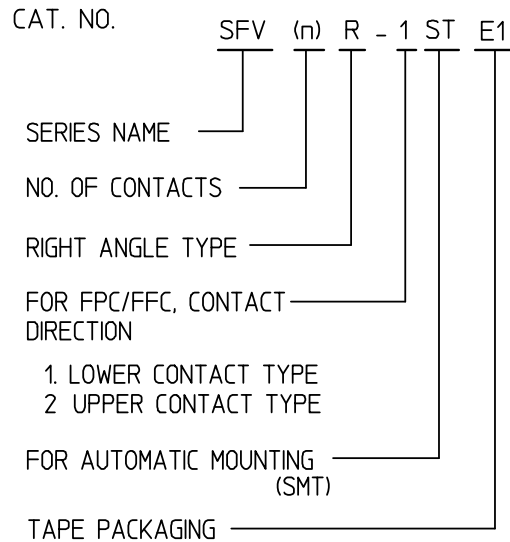
NOTES

1. THIS PRODUCT IS THE CONNECTOR USED FOR FPC/FFC AND COPEs WITH AUTOMATIC MOUNTING (SMT).
2. SEE PART DRAWINGS FOR DIMENSIONS A~D.

|      |      |             |      |       |          |    |   |     |
|------|------|-------------|------|-------|----------|----|---|-----|
|      |      |             |      |       | SCALE    | ∞  | CAT NO. TABLE FOR 0.5 mm CONTACT SPACING CONNECTOR  |     |
|      |      |             |      |       | DIM. IN  | mm | CAT NO.   |     |
|      |      |             |      |       | DESIGNED |    | SFV__R-1/2ST__  |     |
|      |      |             |      |       | DRAWN    |    | DRAWING NO  | REV |
|      |      |             |      |       | CHECKED  |    | JSA 92450   |     |
|      |      |             |      |       | APPROVED |    |  DF-136<br>REV.B |     |
| REV. | DATE | DESCRIPTION | DWN. | APPD. | DATE     |    |   |     |


CAT. NO. & DIMENSIONS

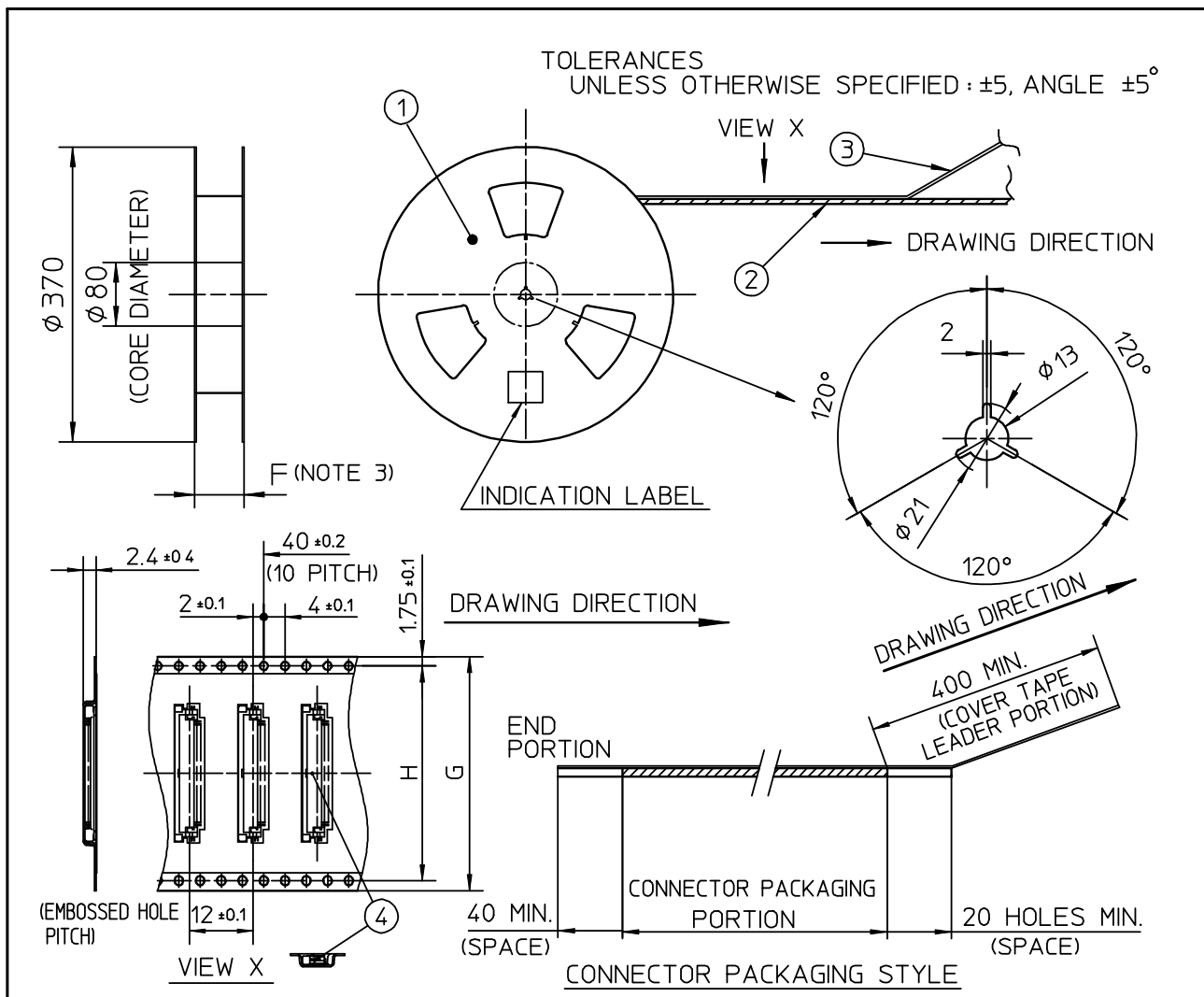
| NO. OF CONTACTS (n) | CAT. NO.       | DIMENSIONS (NOTE3) |         |         |
|---------------------|----------------|--------------------|---------|---------|
|                     |                | F ± 5              | G ± 0.3 | H ± 0.1 |
| 4                   | SFV4R-1/2STE1  | 20.4               | 16      | —       |
| 5                   | SFV5R-1/2STE1  | 20.4               | 16      | —       |
| 6                   | SFV6R-1/2STE1  | 20.4               | 16      | —       |
| 7                   | SFV7R-1/2STE1  | 28.4               | 24      | —       |
| 8                   | SFV8R-1/2STE1  | 28.4               | 24      | —       |
| 9                   | SFV9R-1/2STE1  | 28.4               | 24      | —       |
| 10                  | SFV10R-1/2STE1 | 28.4               | 24      | —       |
| 11                  | SFV11R-1/2STE1 | 28.4               | 24      | —       |
| 12                  | SFV12R-1/2STE1 | 28.4               | 24      | —       |
| 13                  | SFV13R-1/2STE1 | 28.4               | 24      | —       |
| 14                  | SFV14R-1/2STE1 | 28.4               | 24      | —       |
| 15                  | SFV15R-1/2STE1 | 28.4               | 24      | —       |
| 16                  | SFV16R-1/2STE1 | 28.4               | 24      | —       |
| 17                  | SFV17R-1/2STE1 | 28.4               | 24      | —       |
| 18                  | SFV18R-1/2STE1 | 28.4               | 24      | —       |
| 19                  | SFV19R-1/2STE1 | 28.4               | 24      | —       |
| 20                  | SFV20R-1/2STE1 | 28.4               | 24      | —       |
| 21                  | SFV21R-1/2STE1 | 28.4               | 24      | —       |
| 22                  | SFV22R-1/2STE1 | 28.4               | 24      | —       |
| 23                  | SFV23R-1/2STE1 | 36.4               | 32      | 28.4    |
| 24                  | SFV24R-1/2STE1 | 36.4               | 32      | 28.4    |
| 25                  | SFV25R-1/2STE1 | 36.4               | 32      | 28.4    |
| 26                  | SFV26R-1/2STE1 | 36.4               | 32      | 28.4    |
| 27                  | SFV27R-1/2STE1 | 36.4               | 32      | 28.4    |
| 28                  | SFV28R-1/2STE1 | 36.4               | 32      | 28.4    |
| 29                  | SFV29R-1/2STE1 | 36.4               | 32      | 28.4    |
| 30                  | SFV30R-1/2STE1 | 36.4               | 32      | 28.4    |
| 31                  | SFV31R-1/2STE1 | 48.4               | 44      | 40.4    |
| 32                  | SFV32R-1/2STE1 | 48.4               | 44      | 40.4    |
| 33                  | SFV33R-1/2STE1 | 48.4               | 44      | 40.4    |
| 34                  | SFV34R-1/2STE1 | 48.4               | 44      | 40.4    |
| 35                  | SFV35R-1/2STE1 | 48.4               | 44      | 40.4    |



NOTES

1. THIS PRODUCT IS THE CONNECTOR USED FOR FPC/FFC AND COPEs WITH AUTOMATIC MOUNTING (SMT).
2. THIS CATALOG NO. INDICATES PLASTIC TAPE PACKAGED CONNECTOR.
3. SEE PART DRAWINGS FOR DIMENSIONS F~H.


|      |      |             |      |          |      |   |     |
|------|------|-------------|------|----------|------|---|-----|
|      |      |             |      | SCALE    | ∞    | CAT NO TABLE FOR PLASTIC TAPE PACKAGED 0.5 mm CONTACT SPACING CONNECTOR                               |     |
|      |      |             |      | DIM. IN  | mm   | CAT NO.   |     |
|      |      |             |      | DESIGNED |      | SFV__R-1/2STE1  |     |
|      |      |             |      | DRAWN    |      | DRAWING NO  | REV |
|      |      |             |      | CHECKED  |      | JSA 92453   |     |
|      |      |             |      | APPROVED |      |  DF-136<br>REV.B |     |
| REV. | DATE | DESCRIPTION | DWN. | APPD.    | DATE |   |     |



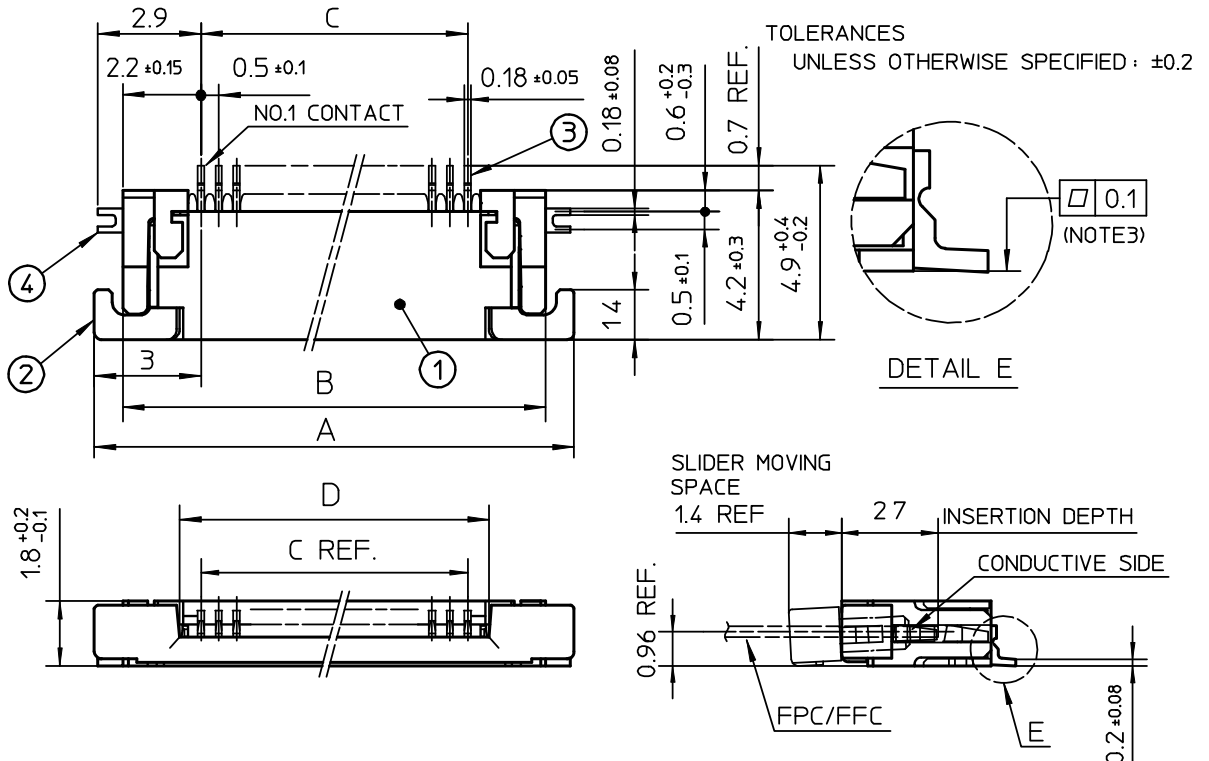
| PT. NO. | PARTS NAME            | CAT. NO.     | MATERIAL          | Q'TY | NOTE                 |
|---------|-----------------------|--------------|-------------------|------|----------------------|
| 1       | REEL                  | _____        | CARDBOARD         | 1    | COLOR : WHITE        |
| 2       | PLASTIC (EMBOSS) TAPE | _____        | A-PET             | —    | COLOR : TRANSPARENCY |
| 3       | COVER                 | _____        | POLYESTER         | —    | COLOR : TRANSPARENCY |
| 4       | CONNECTOR             | SFV__R-1ST__ | SEE ATTACHED DWG. | 3000 | LOWER CONTACT TYPE   |

**NOTES**

1. THIS IS PLASTIC TAPE PACKAGED CONNECTOR USED FOR FPC/FFC AND COPER WITH AUTOMATIC MOUNTING (SMT).
2. SEE JIS C 0806 (PACKING OF ELECTRONIC COMPONENTS ON CONTINUOUS TAPES (SURFACE MOUNTING DEVICES)) FOR SHAPE AND DIMENSIONS OF PLASTIC (EMBOSS) TAPE AND REEL.
3. F DIMENSION IS PORTION OF THE CORE.

|      |      |             |      |       |          |    |   |     |
|------|------|-------------|------|-------|----------|----|---|-----|
|      |      |             |      |       | SCALE    | ∕x | PLASTIC TAPE PACKAGED<br>0.5 mm CONTACT SPACING CONNECTOR                             |     |
|      |      |             |      |       | DIM. IN  | mm | CAT NO.   |     |
|      |      |             |      |       | DESIGNED |    | SFV__R-1STE1  |     |
|      |      |             |      |       | DRAWN    |    | DRAWING NO  | REV |
|      |      |             |      |       | CHECKED  |    | JSA 92454   |     |
|      |      |             |      |       | APPROVED |    |  |     |
| REV. | DATE | DESCRIPTION | DWN. | APPD. | DATE     |    |   |     |

DF-136  
REV.B

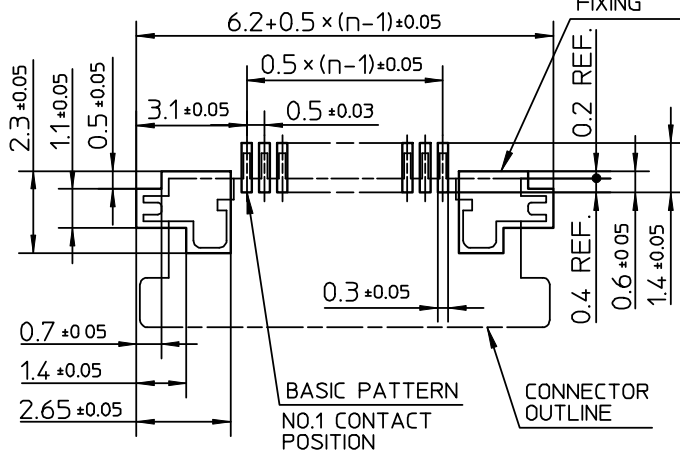


| PT. NO. | PARTS NAME     | MATERIAL                                   | Q'TY | NOTE               |
|---------|----------------|--|------|--------------------|
| 1       | HOUSING        | POLYAMIDE RESIN GLASS REINFORCED (UL94V-0) | 1    | COLOR :BLACK       |
| 2       | SLIDER         | PPS RESIN GLASS REINFORCED (UL94V-0)       | 1    | COLOR :BROWN       |
| 3       | CONTACT        | PHOSPHOR BRONZE                            | n    | PLATING :TIN ALLOY |
| 4       | MOUNTING PLATE |  | 2    |                    |

RECOMMENDED PC BOARD LAYOUT  
(COMPONENT SIDE)


PATTERN FOR MOUNTING PLATE  
FIXING

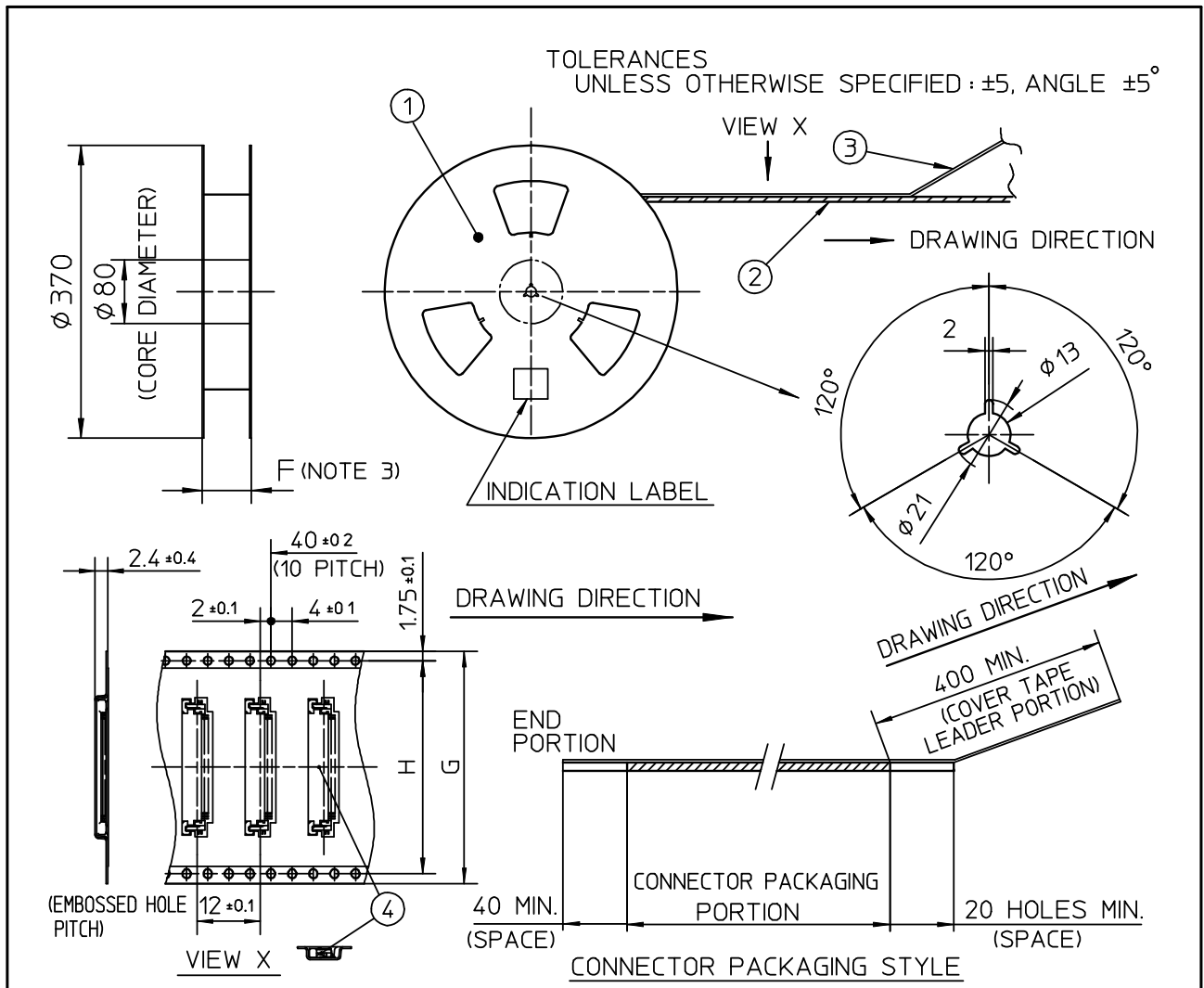
n : NO. OF CONTACTS



NOTES

1. THIS PRODUCT IS THE CONNECTOR USED FOR FPC/FFC AND COPES WITH AUTOMATIC MOUNTING (SMT).
2. THIS PRODUCT IS UPPER CONTACT TYPE CONNECTOR
3. FLATNESS OF CONTACT TERMINAL AND MOUNTING PLATE MUST BE WITHIN TOLERANCE IN E PORTION DETAILED DRAWING.

|      |      |             |      |          |      |   |     |
|------|------|-------------|------|----------|------|---|-----|
|      |      |             |      | SCALE    | ∞    | CONNECTOR USED FOR FPC/FFC WITH 0.5 MM CONTACT SPACING                                |     |
|      |      |             |      | DIM. IN  | mm   | CAT NO.   |     |
|      |      |             |      | DESIGNED |      | SFV__R-2ST__  |     |
|      |      |             |      | DRAWN    |      | DRAWING NO  | REV |
|      |      |             |      | CHECKED  |      | JSA 92452   |     |
|      |      |             |      | APPROVED |      |  |     |
| REV. | DATE | DESCRIPTION | DWN. | APPD.    | DATE |   |     |



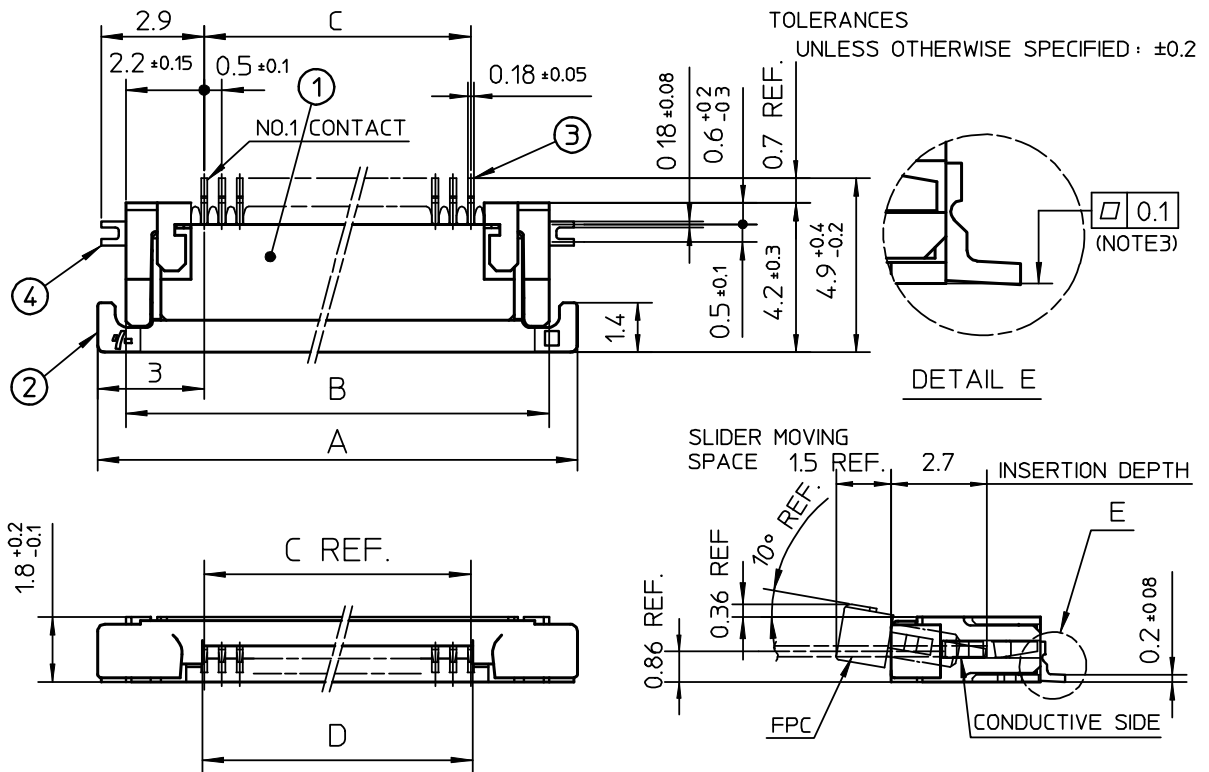
| PT. NO | PARTS NAME            | CAT. NO.     | MATERIAL          | Q'TY | NOTE                 |
|--------|-----------------------|--------------|-------------------|------|----------------------|
| 1      | REEL                  | _____        | CARDBOARD         | 1    | COLOR : WHITE        |
| 2      | PLASTIC (EMBOSS) TAPE | _____        | A-PET             | —    | COLOR : TRANSPARENCY |
| 3      | COVER                 | _____        | POLYESTER         | —    | COLOR : TRANSPARENCY |
| 4      | CONNECTOR             | SFV__R-2ST__ | SEE ATTACHED DWG. | 3000 | UPPER CONTACT TYPE   |

NOTES

1. THIS IS PLASTIC TAPE PACKAGED CONNECTOR USED FOR FPC/FFC AND COPE WITH AUTOMATIC MOUNTING (SMT).
2. SEE JIS C 0806 (PACKING OF ELECTRONIC COMPONENTS ON CONTINUOUS TAPES (SURFACE MOUNTING DEVICES)) FOR SHAPE AND DIMENSIONS OF PLASTIC (EMBOSS) TAPE AND REEL
3. F DIMENSION IS PORTION OF THE CORE.

|      |      |             |      |       |          |    |   |     |
|------|------|-------------|------|-------|----------|----|---|-----|
|      |      |             |      |       | SCALE    | ∞  | PLASTIC TAPE PACKAGED<br>0.5 mm CONTACT SPACING CONNECTOR             |     |
|      |      |             |      |       | DIM. IN  | mm | CAT NO.   |     |
|      |      |             |      |       | DESIGNED |    | SFV__R-2STE1  |     |
|      |      |             |      |       | DRAWN    |    | DRAWING NO  | REV |
|      |      |             |      |       | CHECKED  |    | JSA 92455   |     |
|      |      |             |      |       | APPROVED |    | <span style="float: right; font-size: small;">DF-136<br/>REV.B</span> |     |
| REV. | DATE | DESCRIPTION | DWN. | APPD. | DATE     |    |   |     |





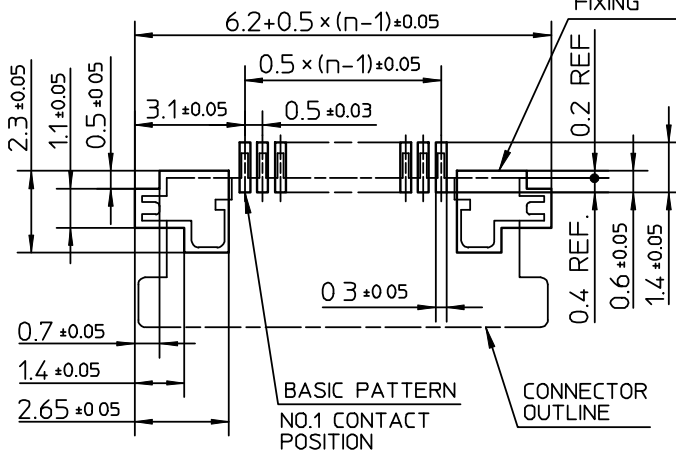
TOLERANCES  
UNLESS OTHERWISE SPECIFIED: ±0.2

| PT. NO. | PARTS NAME     | MATERIAL                                   | Q'TY | NOTE              |
|---------|----------------|--|------|-------------------|
| 1       | HOUSING        | POLYAMIDE RESIN GLASS REINFORCED (UL94V-0) | 1    | COLOR:BLACK       |
| 2       | SLIDER         | PPS RESIN GLASS REINFORCED (UL94V-0)       | 1    | COLOR:BLACK       |
| 3       | CONTACT        | PHOSPHOR BRONZE                            | n    | PLATING:TIN ALLOY |
| 4       | MOUNTING PLATE |  | 2    |                   |

n: NO. OF CONTACTS


RECOMMENDED PC BOARD LAYOUT  
(COMPONENT SIDE)

PATTERN FOR MOUNTING PLATE  
FIXING



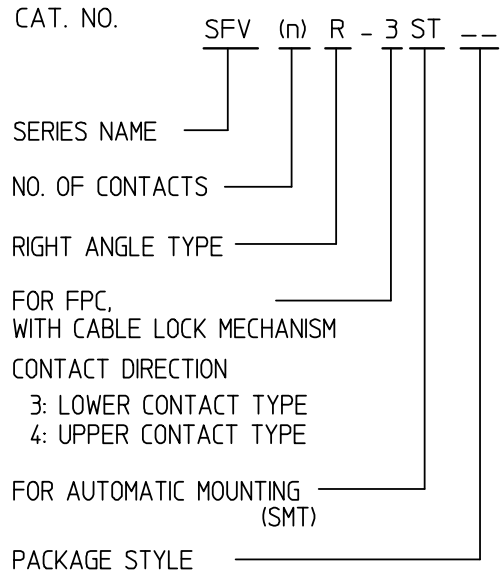
NOTES

1. THIS PRODUCT IS THE CONNECTOR USED FOR FPC AND COPES WITH AUTOMATIC MOUNTING (SMT).
2. THIS PRODUCT IS LOWER CONTACT TYPE CONNECTOR WITH CABLE LOCK MECHANISM.
3. FLATNESS OF CONTACT TERMINAL AND MOUNTING PLATE MUST BE WITHIN TOLERANCE IN E PORTION DETAILED DRAWING.

|      |      |             |      |          |      |   |     |
|------|------|-------------|------|----------|------|---|-----|
|      |      |             |      | SCALE    | ∞    | CONNECTOR USED FOR FPC WITH 0.5 MM CONTACT SPACING                                    |     |
|      |      |             |      | DIM. IN  | mm   | CAT NO.   |     |
|      |      |             |      | DESIGNED |      | SFV__R-3ST__  |     |
|      |      |             |      | DRAWN    |      | DRAWING NO  | REV |
|      |      |             |      | CHECKED  |      | JSA 92601   |     |
|      |      |             |      | APPROVED |      |  |     |
| REV. | DATE | DESCRIPTION | DWN. | APPD.    | DATE |   |     |


CAT. NO. & DIMENSIONS

| NO OF CONTACTS (n) | CAT NO         | DIMENSIONS (NOTE2) |         |         |         |
|--------------------|----------------|--------------------|---------|---------|---------|
|                    |                | A ± 0.2            | B ± 0.2 | C ± 0.1 | D ± 0.1 |
| 4                  | SFV 4R-3/4ST__ | 7.5                | 5.9     | 1.5     | 1.6     |
| 5                  | SFV 5R-3/4ST__ | 8.0                | 6.4     | 2.0     | 2.1     |
| 6                  | SFV 6R-3/4ST__ | 8.5                | 6.9     | 2.5     | 2.6     |
| 7                  | SFV 7R-3/4ST__ | 9.0                | 7.4     | 3.0     | 3.1     |
| 8                  | SFV 8R-3/4ST__ | 9.5                | 7.9     | 3.5     | 3.6     |
| 9                  | SFV 9R-3/4ST__ | 10.0               | 8.4     | 4.0     | 4.1     |
| 10                 | SFV10R-3/4ST__ | 10.5               | 8.9     | 4.5     | 4.6     |
| 11                 | SFV11R-3/4ST__ | 11.0               | 9.4     | 5.0     | 5.1     |
| 12                 | SFV12R-3/4ST__ | 11.5               | 9.9     | 5.5     | 5.6     |
| 13                 | SFV13R-3/4ST__ | 12.0               | 10.4    | 6.0     | 6.1     |
| 14                 | SFV14R-3/4ST__ | 12.5               | 10.9    | 6.5     | 6.6     |
| 15                 | SFV15R-3/4ST__ | 13.0               | 11.4    | 7.0     | 7.1     |
| 16                 | SFV16R-3/4ST__ | 13.5               | 11.9    | 7.5     | 7.6     |
| 17                 | SFV17R-3/4ST__ | 14.0               | 12.4    | 8.0     | 8.1     |
| 18                 | SFV18R-3/4ST__ | 14.5               | 12.9    | 8.5     | 8.6     |
| 19                 | SFV19R-3/4ST__ | 15.0               | 13.4    | 9.0     | 9.1     |
| 20                 | SFV20R-3/4ST__ | 15.5               | 13.9    | 9.5     | 9.6     |
| 21                 | SFV21R-3/4ST__ | 16.0               | 14.4    | 10.0    | 10.1    |
| 22                 | SFV22R-3/4ST__ | 16.5               | 14.9    | 10.5    | 10.6    |
| 23                 | SFV23R-3/4ST__ | 17.0               | 15.4    | 11.0    | 11.1    |
| 24                 | SFV24R-3/4ST__ | 17.5               | 15.9    | 11.5    | 11.6    |
| 25                 | SFV25R-3/4ST__ | 18.0               | 16.4    | 12.0    | 12.1    |
| 26                 | SFV26R-3/4ST__ | 18.5               | 16.9    | 12.5    | 12.6    |
| 27                 | SFV27R-3/4ST__ | 19.0               | 17.4    | 13.0    | 13.1    |
| 28                 | SFV28R-3/4ST__ | 19.5               | 17.9    | 13.5    | 13.6    |
| 29                 | SFV29R-3/4ST__ | 20.0               | 18.4    | 14.0    | 14.1    |
| 30                 | SFV30R-3/4ST__ | 20.5               | 18.9    | 14.5    | 14.6    |
| 31                 | SFV31R-3/4ST__ | 21.0               | 19.4    | 15.0    | 15.1    |
| 32                 | SFV32R-3/4ST__ | 21.5               | 19.9    | 15.5    | 15.6    |
| 33                 | SFV33R-3/4ST__ | 22.0               | 20.4    | 16.0    | 16.1    |
| 34                 | SFV34R-3/4ST__ | 22.5               | 20.9    | 16.5    | 16.6    |
| 35                 | SFV35R-3/4ST__ | 23.0               | 21.4    | 17.0    | 17.1    |



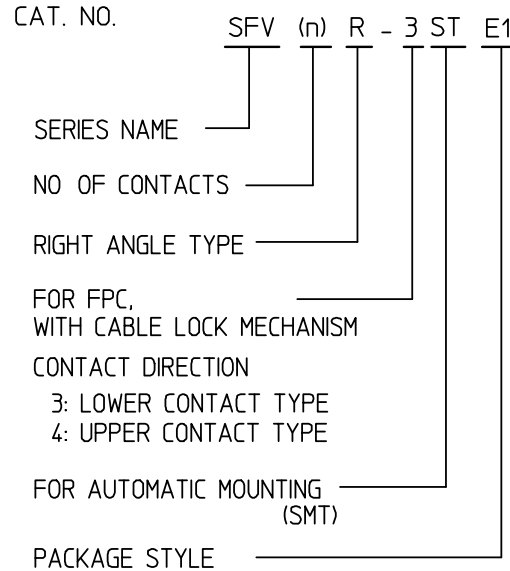
NOTES

1. THIS PRODUCT IS THE CONNECTOR USED FOR FPC AND COPELS WITH AUTOMATIC MOUNTING (SMT).
2. SEE PART DRAWINGS FOR DIMENSIONS A~D.
3. THIS PRODUCT IS THE CONNECTOR WITH CABLE LOCK MECHANISM.

|      |      |             |      |          |      |   |     |
|------|------|-------------|------|----------|------|---|-----|
|      |      |             |      | SCALE    | ∞    | CAT. NO. TABLE FOR 0.5 mm CONTACT SPACING CONNECTOR   |     |
|      |      |             |      | DIM. IN  | mm   | CAT NO.   |     |
|      |      |             |      | DESIGNED |      | SFV__R-3/4ST__  |     |
|      |      |             |      | DRAWN    |      | DRAWING NO  | REV |
|      |      |             |      | CHECKED  |      | JSA 92600   |     |
|      |      |             |      | APPROVED |      |  DF-136<br>REV.B |     |
| REV. | DATE | DESCRIPTION | DWN. | APPD.    | DATE |   |     |


CAT. NO. & DIMENSIONS

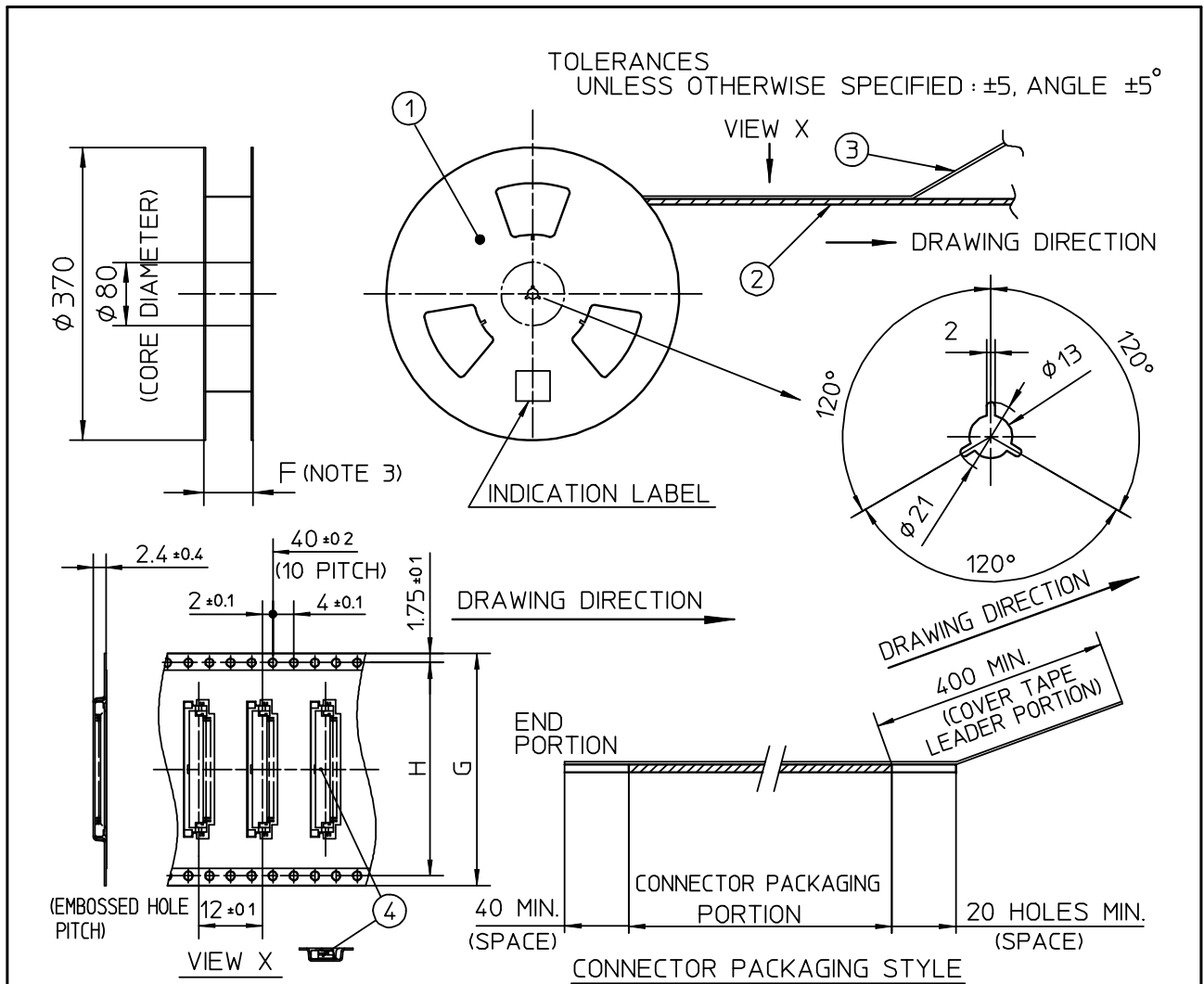
| NO. OF CONTACTS (n) | CAT. NO.       | DIMENSIONS (NOTE3) |        |        |
|---------------------|----------------|--------------------|--------|--------|
|                     |                | F ± 5              | G ± 03 | H ± 01 |
| 4                   | SFV 4R-3/4STE1 | 20.4               | 16     | —      |
| 5                   | SFV 5R-3/4STE1 | 20.4               | 16     | —      |
| 6                   | SFV 6R-3/4STE1 | 20.4               | 16     | —      |
| 7                   | SFV 7R-3/4STE1 | 28.4               | 24     | —      |
| 8                   | SFV 8R-3/4STE1 | 28.4               | 24     | —      |
| 9                   | SFV 9R-3/4STE1 | 28.4               | 24     | —      |
| 10                  | SFV10R-3/4STE1 | 28.4               | 24     | —      |
| 11                  | SFV11R-3/4STE1 | 28.4               | 24     | —      |
| 12                  | SFV12R-3/4STE1 | 28.4               | 24     | —      |
| 13                  | SFV13R-3/4STE1 | 28.4               | 24     | —      |
| 14                  | SFV14R-3/4STE1 | 28.4               | 24     | —      |
| 15                  | SFV15R-3/4STE1 | 28.4               | 24     | —      |
| 16                  | SFV16R-3/4STE1 | 28.4               | 24     | —      |
| 17                  | SFV17R-3/4STE1 | 28.4               | 24     | —      |
| 18                  | SFV18R-3/4STE1 | 28.4               | 24     | —      |
| 19                  | SFV19R-3/4STE1 | 28.4               | 24     | —      |
| 20                  | SFV20R-3/4STE1 | 28.4               | 24     | —      |
| 21                  | SFV21R-3/4STE1 | 28.4               | 24     | —      |
| 22                  | SFV22R-3/4STE1 | 28.4               | 24     | —      |
| 23                  | SFV23R-3/4STE1 | 36.4               | 32     | 28.4   |
| 24                  | SFV24R-3/4STE1 | 36.4               | 32     | 28.4   |
| 25                  | SFV25R-3/4STE1 | 36.4               | 32     | 28.4   |
| 26                  | SFV26R-3/4STE1 | 36.4               | 32     | 28.4   |
| 27                  | SFV27R-3/4STE1 | 36.4               | 32     | 28.4   |
| 28                  | SFV28R-3/4STE1 | 36.4               | 32     | 28.4   |
| 29                  | SFV29R-3/4STE1 | 36.4               | 32     | 28.4   |
| 30                  | SFV30R-3/4STE1 | 36.4               | 32     | 28.4   |
| 31                  | SFV31R-3/4STE1 | 48.4               | 44     | 40.4   |
| 32                  | SFV32R-3/4STE1 | 48.4               | 44     | 40.4   |
| 33                  | SFV33R-3/4STE1 | 48.4               | 44     | 40.4   |
| 34                  | SFV34R-3/4STE1 | 48.4               | 44     | 40.4   |
| 35                  | SFV35R-3/4STE1 | 48.4               | 44     | 40.4   |



NOTES

1. THIS PRODUCT IS THE CONNECTOR USED FOR FPC AND COPES WITH AUTOMATIC MOUNTING (SMT).
2. THIS CATALOG NO. INDICATES PLASTIC TAPE PACKAGED
3. SEE PART DRAWINGS FOR DIMENSIONS F-H.
4. THIS PRODUCT IS THE CONNECTOR WITH CABLE LOCK MECHANISM.

|      |      |             |      |       |          |    |   |     |
|------|------|-------------|------|-------|----------|----|---|-----|
|      |      |             |      |       | SCALE    | ∞  | CAT. NO. TABLE FOR PLASTIC TAPE PACKAGED 0.5 mm CONTACT SPACING CONNECTOR                             |     |
|      |      |             |      |       | DIM. IN  | mm | CAT NO.   |     |
|      |      |             |      |       | DESIGNED |    | SFV__R-3/4STE1  |     |
|      |      |             |      |       | DRAWN    |    | DRAWING NO  | REV |
|      |      |             |      |       | CHECKED  |    | JSA 92603   |     |
|      |      |             |      |       | APPROVED |    |  DF-136<br>REV.B |     |
| REV. | DATE | DESCRIPTION | DWN. | APPD. | DATE     |    |   |     |

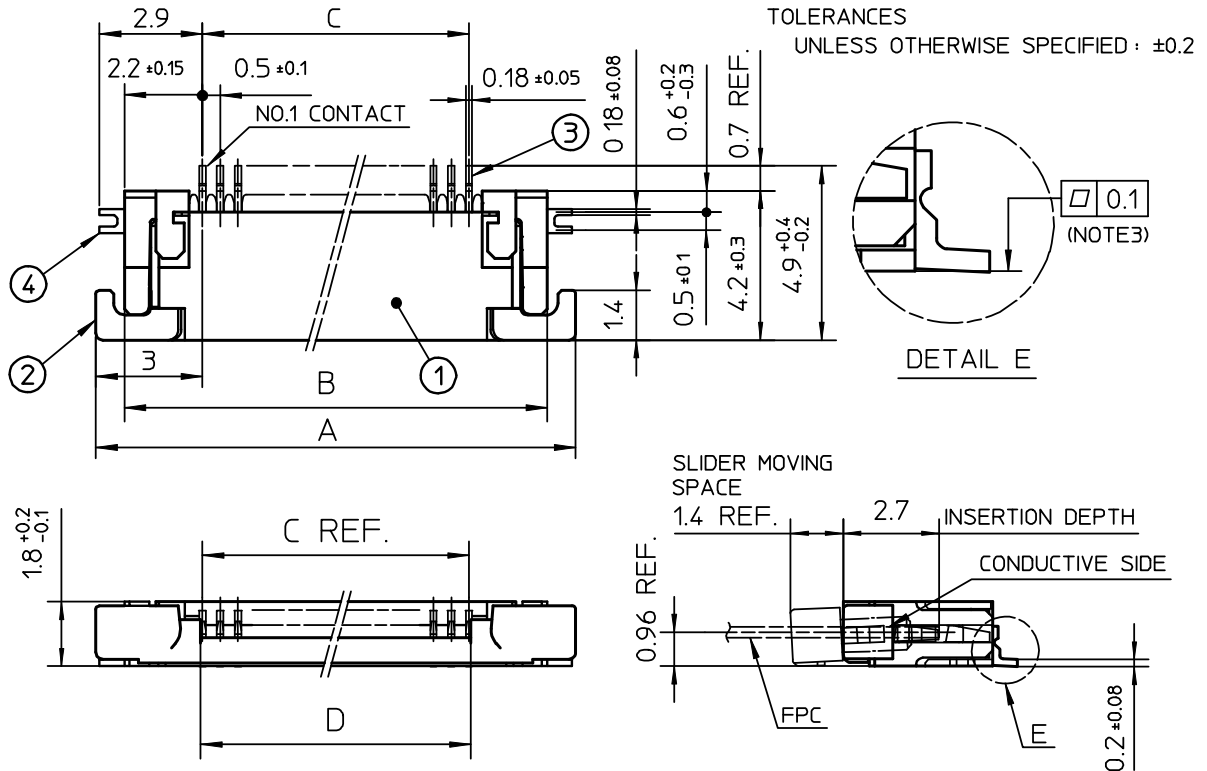


| PT. NO. | PARTS NAME            | CAT. NO      | MATERIAL          | Q'TY | NOTE   |
|---------|-----------------------|--------------|-------------------|------|--|
| 1       | REEL                  | _____        | CARDBOARD         | 1    | COLOR : WHITE                                |
| 2       | PLASTIC (EMBOSS) TAPE | _____        | A-PET             | —    | COLOR : TRANSPARENCY                         |
| 3       | COVER                 | _____        | POLYESTER         | —    | COLOR : TRANSPARENCY                         |
| 4       | CONNECTOR             | SFV__R-3ST__ | SEE ATTACHED DWG. | 3000 | LOWER CONTACT TYPE WITH CABLE LOCK MECHANISM |

NOTES

- THIS IS PLASTIC TAPE PACKAGED CONNECTOR USED FOR FPC AND COPES WITH AUTOMATIC MOUNTING (SMT).
- SEE JIS C 0806 (PACKING OF ELECTRONIC COMPONENTS ON CONTINUOUS TAPES (SURFACE MOUNTING DEVICES)) FOR SHAPE AND DIMENSIONS OF PLASTIC (EMBOSS) TAPE AND REEL.
- F DIMENSION IS PORTION OF THE CORE.

|      |      |             |      |          |      |   |     |
|------|------|-------------|------|----------|------|---|-----|
|      |      |             |      | SCALE    | ×    | PLASTIC TAPE PACKAGED<br>0.5 mm CONTACT SPACING CONNECTOR |     |
|      |      |             |      | DIM. IN  | mm   | CAT NO.   |     |
|      |      |             |      | DESIGNED |      | SFV__R-3STE1  |     |
|      |      |             |      | DRAWN    |      | DRAWING NO  | REV |
|      |      |             |      | CHECKED  |      | JSA 92604   |     |
|      |      |             |      | APPROVED |      | <span style="float: right;">DF-136<br/>REV.B</span>       |     |
| REV. | DATE | DESCRIPTION | DWN. | APPD.    | DATE |   |     |

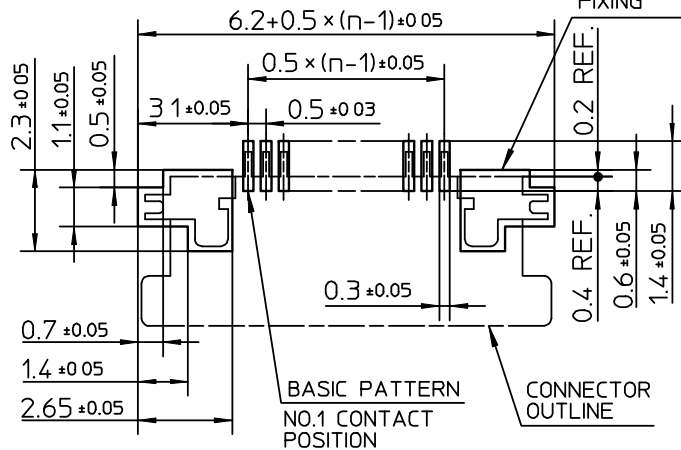


| PT. NO. | PARTS NAME     | MATERIAL                                   | Q'TY | NOTE              |
|---------|----------------|--|------|-------------------|
| 1       | HOUSING        | POLYAMIDE RESIN GLASS REINFORCED (UL94V-0) | 1    | COLOR:BLACK       |
| 2       | SLIDER         | PPS RESIN GLASS REINFORCED (UL94V-0)       | 1    | COLOR:BLACK       |
| 3       | CONTACT        | PHOSPHOR BRONZE                            | n    | PLATING:TIN ALLOY |
| 4       | MOUNTING PLATE |  | 2    |                   |

n: NO. OF CONTACTS


**RECOMMENDED PC BOARD LAYOUT**  
(COMPONENT SIDE)

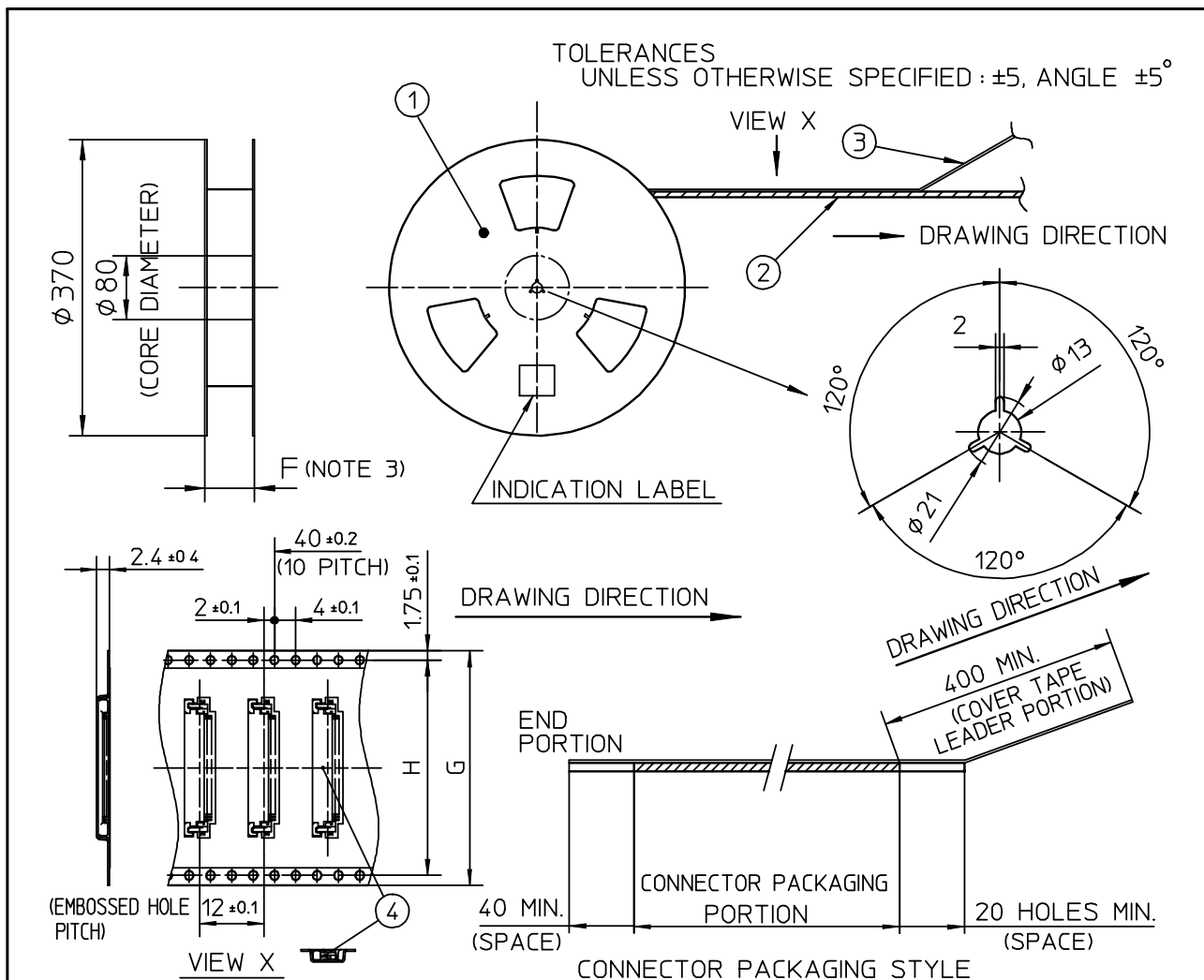
**PATTERN FOR MOUNTING PLATE FIXING**



**NOTES**

1. THIS PRODUCT IS THE CONNECTOR USED FOR FPC AND COPES WITH AUTOMATIC MOUNTING (SMT).
2. THIS PRODUCT IS UPPER CONTACT TYPE CONNECTOR WITH CABLE LOCK MECHANISM.
3. FLATNESS OF CONTACT TERMINAL AND MOUNTING PLATE MUST BE WITHIN TOLERANCE IN E PORTION DETAILED DRAWING.

|      |      |             |      |          |      |   |     |
|------|------|-------------|------|----------|------|---|-----|
|      |      |             |      | SCALE    | ∞    | CONNECTOR USED FOR FPC WITH 05 MM CONTACT SPACING                                     |     |
|      |      |             |      | DIM. IN  | mm   | CAT NO.   |     |
|      |      |             |      | DESIGNED |      | SFV__R-4ST__  |     |
|      |      |             |      | DRAWN    |      | DRAWING NO  | REV |
|      |      |             |      | CHECKED  |      | JSA 92602   |     |
|      |      |             |      | APPROVED |      |  |     |
| REV. | DATE | DESCRIPTION | DWN. | APPD.    | DATE |   |     |



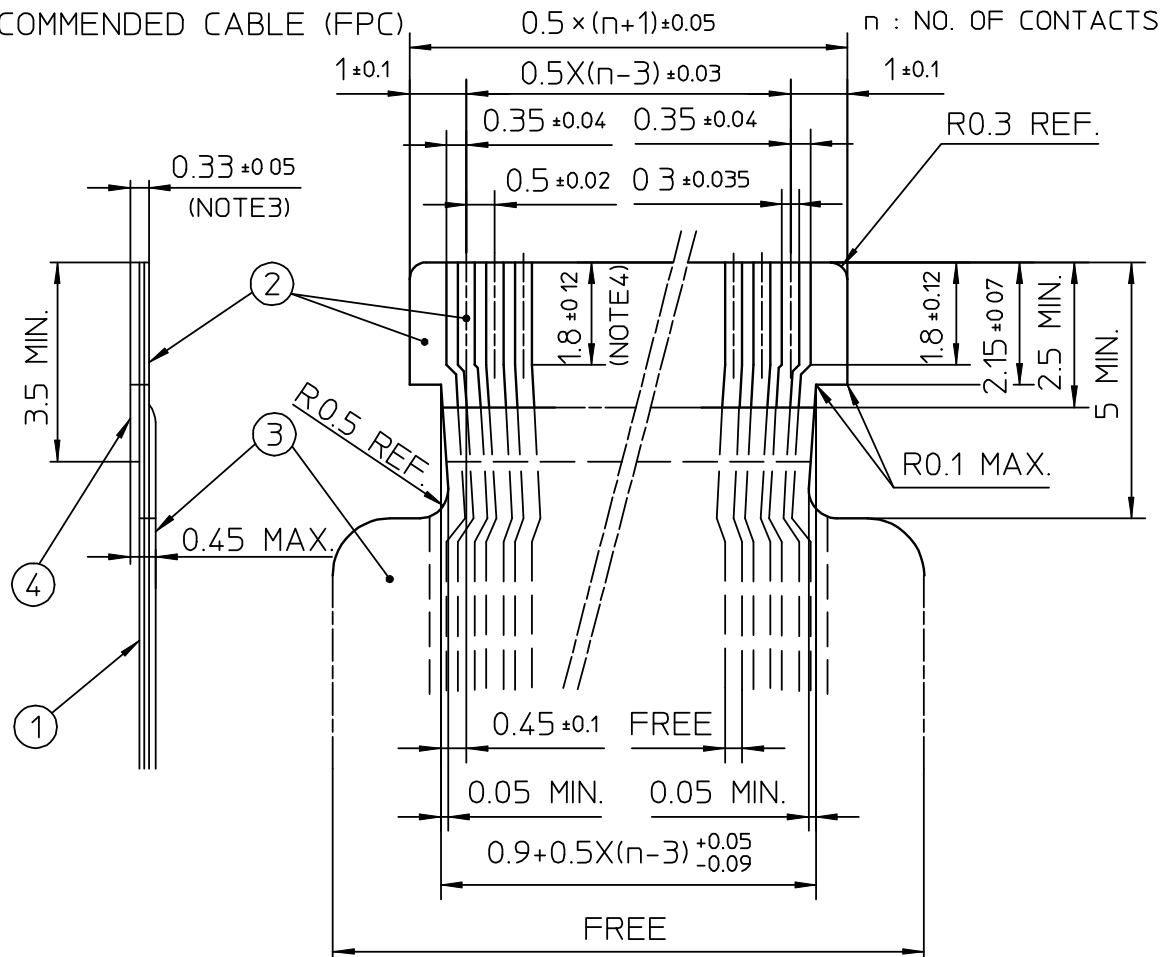
| PT. NO. | PARTS NAME            | CAT. NO.     | MATERIAL          | Q'TY | NOTE   |
|---------|-----------------------|--------------|-------------------|------|--|
| 1       | REEL                  | _____        | CARDBOARD         | 1    | COLOR : WHITE                                |
| 2       | PLASTIC (EMBOSS) TAPE | _____        | A-PET             | —    | COLOR : TRANSPARENCY                         |
| 3       | COVER                 | _____        | POLYESTER         | —    | COLOR : TRANSPARENCY                         |
| 4       | CONNECTOR             | SFV__R-4ST__ | SEE ATTACHED DWG. | 3000 | UPPER CONTACT TYPE WITH CABLE LOCK MECHANISM |

NOTES

1. THIS IS PLASTIC TAPE PACKAGED CONNECTOR USED FOR FPC AND COPES WITH AUTOMATIC MOUNTING (SMT).
2. SEE JIS C 0806 (PACKING OF ELECTRONIC COMPONENTS ON CONTINUOUS TAPES (SURFACE MOUNTING DEVICES)) FOR SHAPE AND DIMENSIONS OF PLASTIC (EMBOSS) TAPE AND REEL.
3. F DIMENSION IS PORTION OF THE CORE.

|      |      |             |      |          |      |  |     |
|------|------|-------------|------|----------|------|--|-----|
|      |      |             |      | SCALE    | ∞    | PLASTIC TAPE PACKAGED<br>05 mm CONTACT SPACING CONNECTOR |     |
|      |      |             |      | DIM. IN  | mm   | CAT NO.  |     |
|      |      |             |      | DESIGNED |      | SFV__R-4STE1   |     |
|      |      |             |      | DRAWN    |      | DRAWING NO   | REV |
|      |      |             |      | CHECKED  |      | JSA 92605  |     |
|      |      |             |      | APPROVED |      | <span style="float: right;">DF-136<br/>REV.B</span>      |     |
| REV. | DATE | DESCRIPTION | DWN. | APPD.    | DATE |  |     |


RECOMMENDED CABLE (FPC)



| PT. NO. | PARTS NAME      | MATERIAL                               | THICKNESS(μm) |
|---------|-----------------|--|---------------|
| 1       | BASE FILM       | POLYIMIDE OR POLYESTER OR EQUAL        | 25            |
| 2       | CONDUCTOR       | COPPER FOIL(PLATING : SOLDER 1μm MIN.) | 35            |
| 3       | OVERLAY         | POLYIMIDE OR POLYESTER OR EQUAL        | —             |
| 4       | SUPPORTING TAPE | POLYESTER OR POLYIMIDE OR EQUAL        | 188           |

NOTES

1. NO BURR AT EACH PORTION.
2. NO PEELING IN COMMON USE.
3. TOTAL THICKNESS LIMIT OF EACH MATERIAL (INCLUDING ADHESIVE AGENT) IS SPECIFIED.
4. THIS DIMENSION INDICATES THE RANGE FOR 0.3 ± 0.035 CONDUCTOR WIDTH.

|      |      |             |            |          |    |   |     |
|------|------|-------------|------------|----------|----|---|-----|
|      |      |             |            | SCALE    | ×  | RECOMMENDED CABLE   |     |
|      |      |             |            | DIM. IN  | mm | CAT NO.   |     |
|      |      |             |            | DESIGNED |    | SFV__R-3/4ST__  |     |
|      |      |             |            | DRAWN    |    | DRAWING NO  | REV |
|      |      |             |            | CHECKED  |    | JSA 92606   |     |
|      |      |             |            | APPROVED |    |  DF-136<br>REV.B |     |
| REV. | DATE | DESCRIPTION | DWN. APPD. | DATE     |    |   |     |