

1 mm ZIF FFC/FPC SOCKET ZF1 SERIES

SPECIFICATIONS

For complete specifications see www.samtec.com/ZF1

Insulator Material:

Liquid Crystal Polymer

Contact Material:

Phosphor Bronze

Plating:

Tin/Lead over 40µ" (1,02µm) Ni

Weld Tab:

Phosphor Bronze

Operating Temp Range:

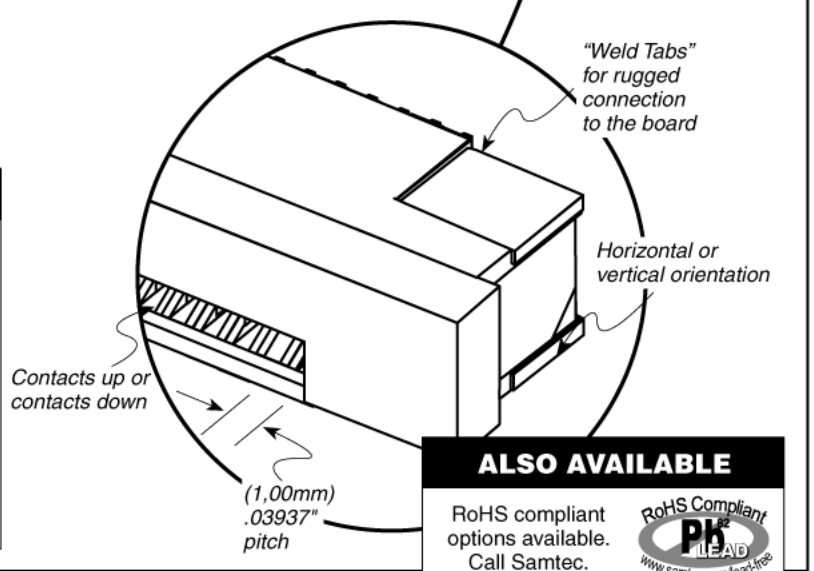
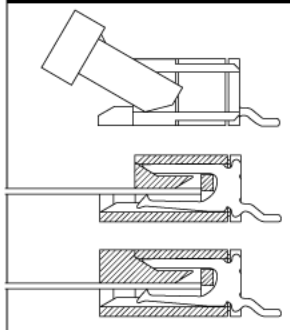
-55°C to +105°C

Note: Some lengths, styles and options are non-standard, non-returnable.



Mates with:
FJ and flex cable with contact/stiffener thickness of (0,30mm) .012"

APPLICATION



ALSO AVAILABLE

RoHS compliant options available. Call Samtec.



Processing:

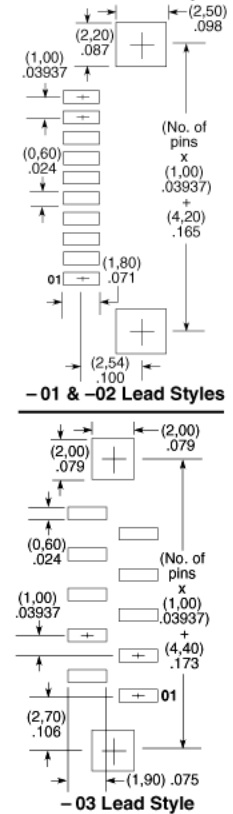
Max Processing Temp: 230°C for 60 seconds

Lead-Free Solderable: No. Call Samtec

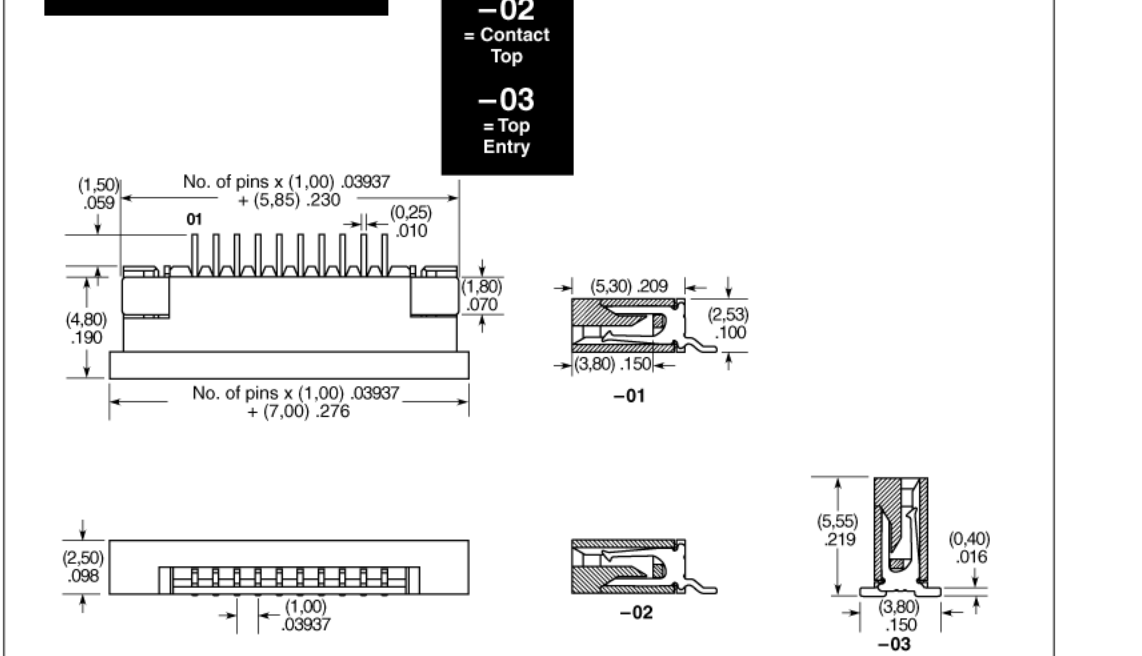
SMT Lead Coplanarity: (0,10mm) .004" max

Suggested PCB Layouts: For reference only. Please contact Samtec or go to www.samtec.com/ZF1 for recommended PCB layout.

For reference only. Please contact Samtec or go to www.samtec.com/ZF1 for recommended PCB layout.



ZF1	NO. OF POSITIONS	LEAD STYLE	PLATING OPTION	WT	OPTION
	-05, -10, -15, -16, -20, -25, -30	-01 = Contact Bottom -02 = Contact Top -03 = Top Entry	-T = Tin/Lead	-WT = Weld Tab	-TR = Tape & Reel Packaging



Due to technical progress, all designs, specifications and components are subject to change without notice.

WWW.SAMTEC.COM

SAMTEC USA • Tel: 1-800-SAMTEC-9 or 812-944-6733 • Fax: 812-948-5047
 SAMTEC GERMANY • Tel: +49 (0) 89 / 89460-0 • Fax: +49 (0) 89 / 89460-299
 SAMTEC JAPAN • Tel: 81-424-42-8318 • Fax: 81-424-42-8319
 SAMTEC KOREA • Tel: 82-31-717-5685 • Fax: 82-31-717-5681
 SAMTEC SILICON VALLEY • Tel: 408-395-5900 • Fax: 408-395-1520
 SAMTEC FRANCE • Tel: 01 60 95 06 60 • Fax: 01 60 95 06 61
 SAMTEC CHINA • Tel: 86-21-5385-4089 • Fax: 86-21-5385-4047
 SAMTEC SOUTH AFRICA • Tel: 27 11 4528112 • Fax: 27 86 6714432
 SAMTEC UK • Tel: 01236 739292 • Fax: 01236 727113
 SAMTEC ITALY • Tel: 39 039 6890337 • Fax: 39 039 6890315
 SAMTEC INDIA • Tel: 91 80 306 21 612 • Fax: 91 80 5152 8187
 SAMTEC TAIWAN • Tel: 886 02 2698-3367 • Fax: 886 02 8698-2159
 SAMTEC ANZ • Tel: 613 9512 7747 • Fax: 613 9512 7745