



FCIconnect.com

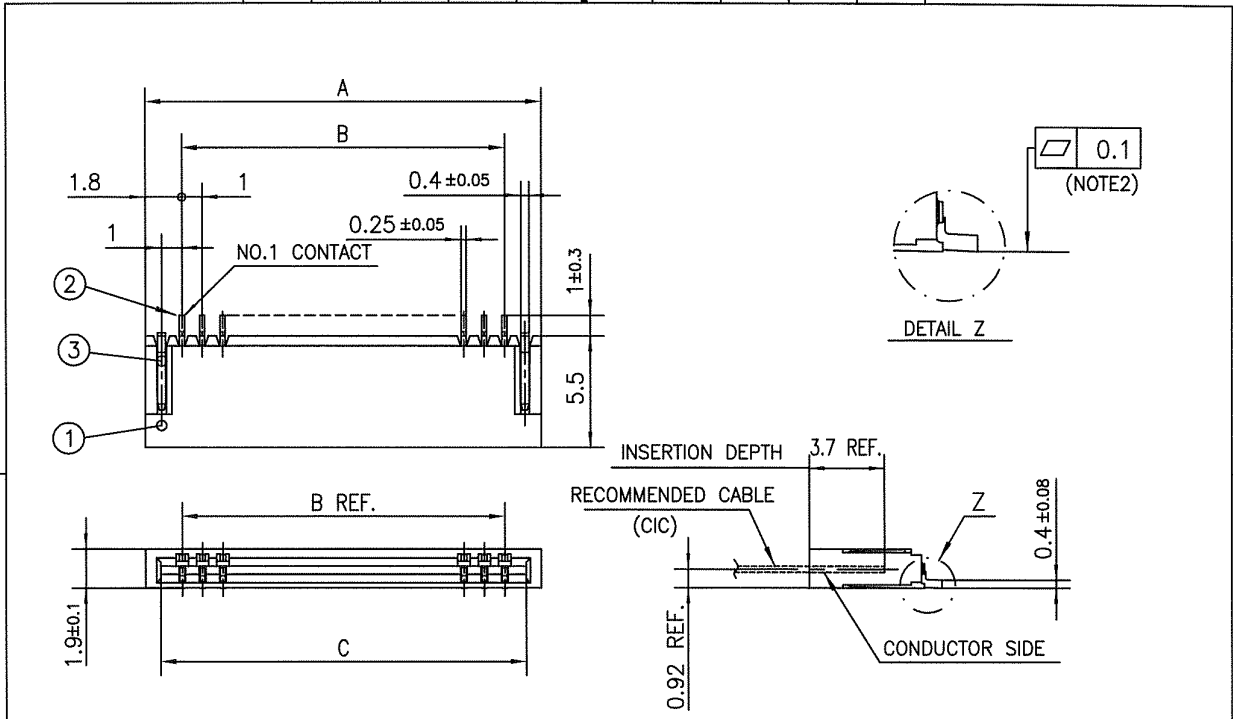
Copyright FCI.

List of "HFW\_\_R-5/6STE1LF" customer document

DOCUMENT NO.	LIST
SC-HFWR05	SPEC.
JSA97339	CAT.NO.TABLE FOR 1mm SPACING SMT CONNECTOR (HFW__R-5/6ST_LF)
JSA97340	1mm SPACING SURFACE MOUNT CIC CONNECCTOR (HFW__R-5ST_LF)
JSA97341	1mm SPACING SURFACE MOUNT CIC CONNECCTOR (HFW__R-6ST_LF)
JSA97342	CAT.NO.TABLE FOR PLASTIC TAPE PACKAGED 1mm SPACING SMT CONN.(HFW__R-5/6STE1LF)
JSA97343	1mm SPACING SMT CONNECTOR (HFW__R-5STE1LF)
JSA97344	1mm SPACING SMT CONNECTOR (HFW__R-6STE1LF)
JSA97345	RECOMMENDED CABLE (CIC) (HFW__R-5/6__)

mat'l. code		surface <sup>58</sup> ISO 1302 <input checked="" type="checkbox"/>		tolerance ISO 406 ISO 1101		projection		product family 58NF		CODE JP	
ltr	ecn no	dr	date		tolerances unless otherwise specified		title				
A	J07-0397	H.T	7/27/07		angles linear		mm		1mm SPACING CIC CONNECTOR DOCUMENT LIST (Cat. No. : HFW__R-5/6STE1LF)		
			dr	7/27/07		scale <input checked="" type="checkbox"/>		dwg no		sheet 1 of 1 size	
			enr	9/29/07				JSA 97346		A4	
			chr	7/27/07				type Product Customer Drawing			
sheet index	revision sheet	A	1								Rev. A

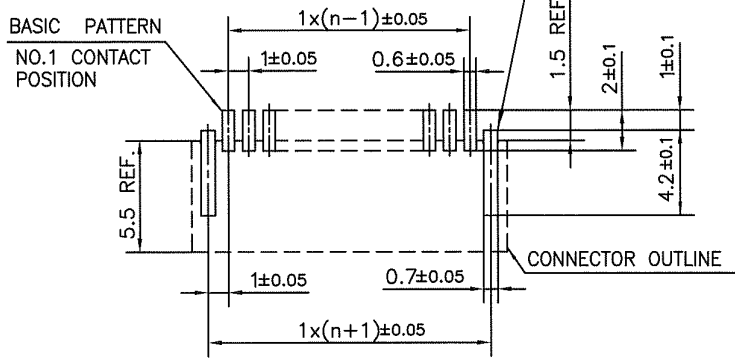




PT. NO.	PARTS NAME	MATERIAL	Q'TY	NOTE
1	HOUSING	PA6T RESIN GLASS REINFORCED (UL94V-0)	1	COLOR:BLACK
2	CONTACT	PHOSPHOR BRONZE	n	PLATING:TIN
3	MOUNTING PLATE		2	(LEAD FREE)

n : NO. OF CONTACTS

**RECOMMENDED PC BOARD LAYOUT (COMPONENT SIDE)**



**NOTES**

1. THIS PRODUCT IS THE CONNECTOR DESIGNED TO TERMINATE CIC AND COPES WITH AUTOMATIC MOUNTING (SMT).
2. FLATNESS OF CONTACT TERMINAL FOR HOUSING MUST BE WITHIN TOLERANCE IN Z PORTION DETAILED DRAWING.
3. THIS PRODUCT IS LOWER CONTACT TYPE CONNECTOR.
4. THIS PRODUCT MEETS EUROPEAN UNION DIRECTIVES AND OTHER COUNTRY REGULATIONS AS DESCRIBED IN GS-22-008
5. THE HOUSING WILL WITHSTAND EXPOSURE TO 260°C PEAK TEMPERATURE FOR 10 SECONDS IN A REFLOW SOLDERING OVEN.

mat'l. code		surface 58 ISO 1302 ✓		tolerance ISO 406 ISO 1101		projection mm		product family 58NF		CODE JP	
ltr		ecn no		dr		date		title		1mm SPACING SURFACE MOUNT CIC CONNECTOR (Cat.No. HFW__R-5ST__LF)	
A		J07-0397		H.T		7/27/07		mm		scale X	
angles		linear		±0.2		mm		dwg no		sheet 1 of 1 size A4	
dr		engr		chr		appd		FCJ		JSA 97340	
sheet index		revision sheet		A		1		type Product Customer Drawing		Rev. A	

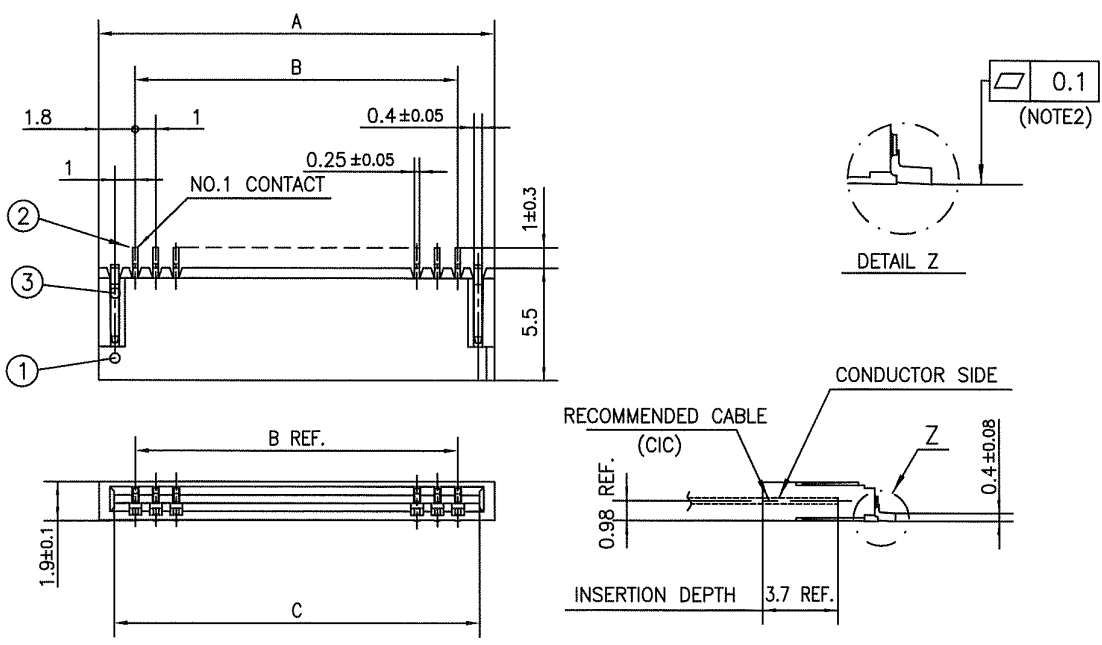
SC-HFWR JSA97339 form: A4



FCIconnect.com

Copyright FCI.

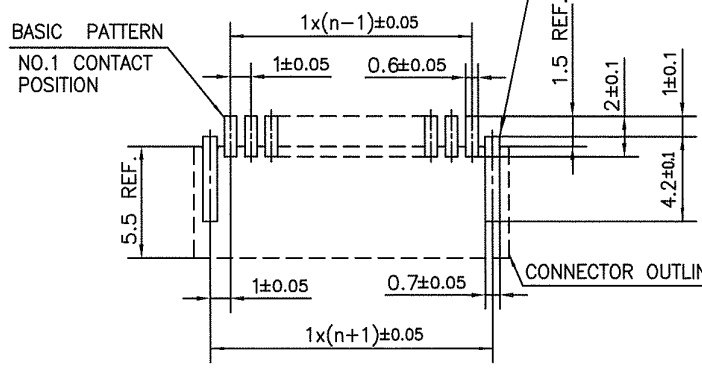




PT. NO.	PARTS NAME	MATERIAL	Q'TY	NOTE
1	HOUSING	PA6T RESIN GLASS REINFORCED (UL94V-0)	1	COLOR:BLACK
2	CONTACT	PHOSPHOR BRONZE	n	PLATING:TIN
3	MOUNTING PLATE		2	(LEAD FREE)

n : NO. OF CONTACTS

RECOMMENDED PC BOARD LAYOUT (COMPONENT SIDE)



NOTES

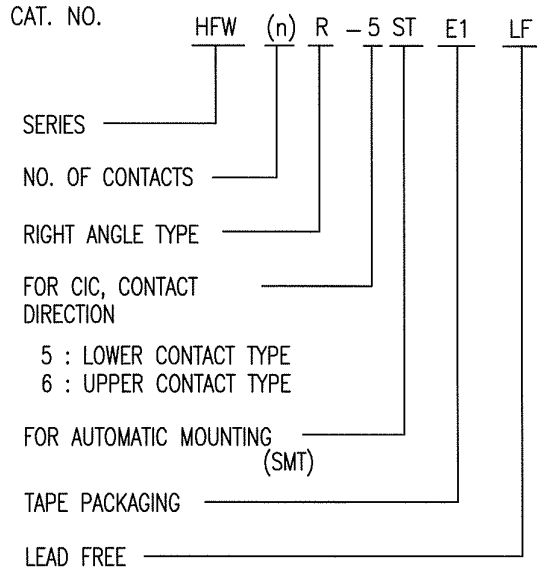
1. THIS PRODUCT IS THE CONNECTOR DESIGNED TO TERMINATE CIC AND COPES WITH AUTOMATIC MOUNTING (SMT).
2. FLATNESS OF CONTACT TERMINAL FOR HOUSING MUST BE WITHIN TOLERANCE IN Z PORTION DETAILED DRAWING.
3. THIS PRODUCT IS UPPER CONTACT TYPE CONNECTOR.
4. THIS PRODUCT MEETS EUROPEAN UNION DIRECTIVES AND OTHER COUNTRY REGULATIONS AS DESCRIBED IN GS-22-008
5. THE HOUSING WILL WITHSTAND EXPOSURE TO 260°C PEAK TEMPERATURE FOR 10 SECONDS IN A REFLOW SOLDERING OVEN.

mat'l. code		surface 58 ISO 1302		tolerance ISO 406 ISO 1101		projection		product family 58NF		CODE JP	
ltr	ecn no	dr	date	tolerances unless otherwise specified		mm		title			
A	J07-0397	H.T	7/27/07	angles	linear	mm		1mm SPACING SURFACE MOUNT CIC CONNECTOR (Cat. No. HFW__R-6ST__LF)			
sheet index		revision A		dr		scale		dwg no		sheet 1 of 1 size	
sheet 1		A		engr		X		JSA 97341		A4	
SC-HFWR05 form: A4		JSA97339		chr		FCJ		type Product Customer Drawing		Rev. A	
				appd							

SC-HFWR05 JSA97339 form: A4

CAT. NO. & DIMENSIONS

(NOTE4)	NO. OF CONTACTS (n)	CAT. NO. (NOTE2)	DIMENSIONS (NOTE3)		
			E ± 5	F ± 0.3	G ± 0.1
	4	HFW4R-5/6STE1LF	28.4	24	—
	5	HFW5R-5/6STE1LF	28.4	24	—
	6	HFW6R-5/6STE1LF	28.4	24	—
	7	HFW7R-5/6STE1LF	28.4	24	—
	8	HFW8R-5/6STE1LF	28.4	24	—
	9	HFW9R-5/6STE1LF	28.4	24	—
	10	HFW10R-5/6STE1LF	28.4	24	—
	11	HFW11R-5/6STE1LF	28.4	24	—
	12	HFW12R-5/6STE1LF	28.4	24	—
	13	HFW13R-5/6STE1LF	28.4	24	—
	14	HFW14R-5/6STE1LF	28.4	24	—
	15	HFW15R-5/6STE1LF	36.4	32	28.4
	16	HFW16R-5/6STE1LF	36.4	32	28.4
	17	HFW17R-5/6STE1LF	36.4	32	28.4
	18	HFW18R-5/6STE1LF	36.4	32	28.4
	19	HFW19R-5/6STE1LF	48.4	44	40.4
	20	HFW20R-5/6STE1LF	48.4	44	40.4
	21	HFW21R-5/6STE1LF	48.4	44	40.4
	22	HFW22R-5/6STE1LF	48.4	44	40.4
	23	HFW23R-5/6STE1LF	48.4	44	40.4
	24	HFW24R-5/6STE1LF	48.4	44	40.4
	25	HFW25R-5/6STE1LF	48.4	44	40.4
	26	HFW26R-5/6STE1LF	48.4	44	40.4
	27	HFW27R-5/6STE1LF	48.4	44	40.4
*	28	HFW28R-5/6STE1LF	48.4	44	40.4
*	29	HFW29R-5/6STE1LF	48.4	44	40.4
	30	HFW30R-5/6STE1LF	60.4	56	52.4

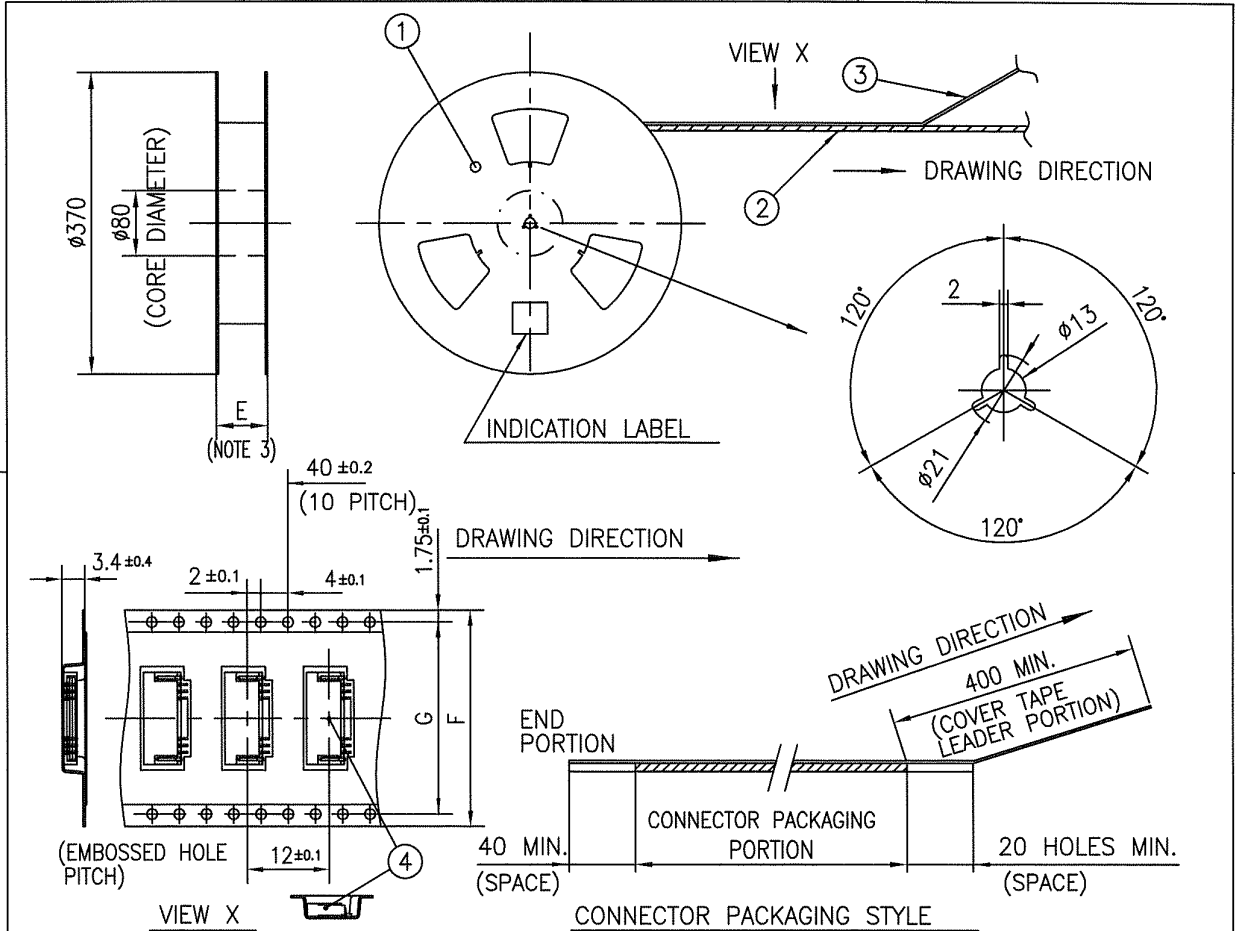


NOTES

1. THIS PRODUCT IS THE CONNECTOR DESIGNED TO TERMINATE CIC AND COPES WITH AUTOMATIC MOUNTING (SMT).
2. THIS CATALOG NO. INDICATES PLASTIC TAPE PACKAGED CONNECTOR.
3. SEE PART DRAWINGS FOR DIMENSIONS E~G.
4. PLEASE CONSULT US IN CASE OF USING PARTS WITH \* MARK.

mat'l. code				surface 58 ISO 1302 ✓		tolerance ISO 406 ISO 1101		projection 		product family 58NF		CODE JP	
ltr		ecn no		dr		date		tolerances unless otherwise specified		title			
A		J07-0397		H.T		7/27/07		angles linear		CAT. NO. TABLE FOR PLASTIC TAPE PACKAGED 1mm SPACING SMT CONN. (Cat.No. HFW__R-5/6STE1LF)			
								mm		scale X			
								dr		dwg no sheet 1 of 1 size			
								enr		JSA 97342 A4			
								chr		type Product Customer Drawing			
								appd					
sheet index		revision A		sheet 1						Rev. A			

SC-HFWR05 JSA97339 97343 97344 form: A4



PT. NO.	PARTS NAME	CAT. NO.	MATERIAL	Q'TY	NOTE
1	REEL	—	CARDBOARD	1	COLOR:WHITE
2	PLASTIC (EMBOSSED) TAPE	—	PET	—	COLOR:TRANSPARENCY
3	COVER	—	POLYESTER	—	COLOR:TRANSPARENCY
4	CONNECTOR	HFV__R-5ST__LF	SEE ATTACHED DWG.	2000	LOWER CONTACT TYPE

NOTES

- THIS IS PLASTIC TAPE PACKAGED CONNECTOR DESIGNED TO TERMINATE CIC AND COPES WITH AUTOMATIC MOUNTING (SMT).
- SEE JIS C 0806 (PACKING OF ELECTRONIC COMPONENTS ON CONTINUOUS TAPES (SURFACE MOUNTING DEVICES)) FOR SHAPE AND DIMENSIONS OF PLASTIC (EMBOSSED) TAPE AND REEL.
- E DIMENSION IS PORTION OF THE CORE.

mat'l. code		surface 58 ISO 1302 ✓		tolerance ISO 406 ISO 1101		projection mm		product family 58NF		CODE JP	
ltr	ecn no	dr	date		tolerances unless otherwise specified		title		1mm SPACING SMT CONNECTOR (Cat.No. HFV__R-5STE1LF)		
A	J07-0397	H.T	7/27/07		angles	linear	mm		dwg no		
					±5°		scale		sheet 1 of 1 size		
							FCJ		JSA 97343		
			dr						type Product Customer Drawing		
			enr						Rev. A		
			chr								
			appd								
sheet index	revision	A									
	sheet	1									

SC-HFWR05 JSA97342  
form: A4

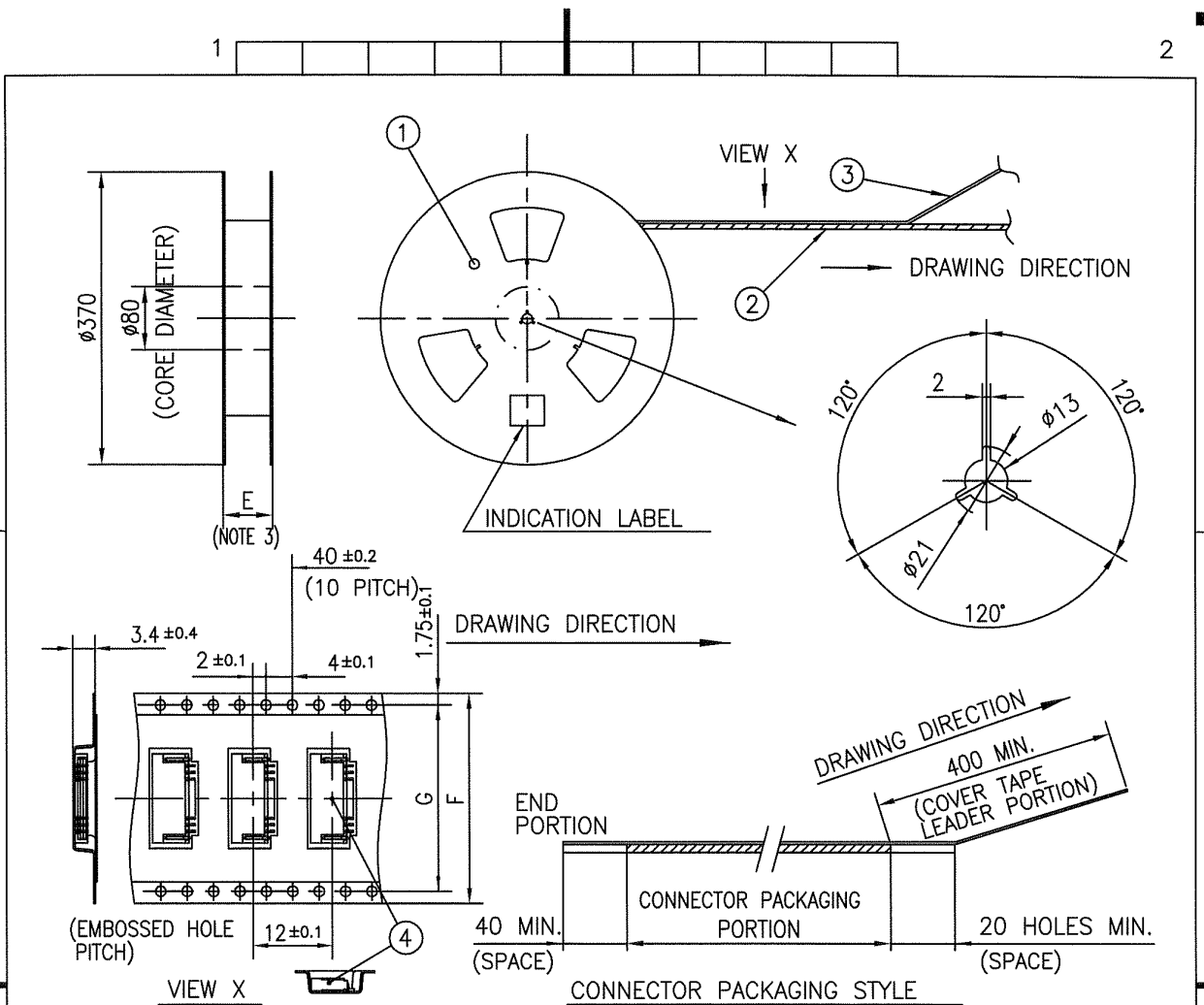


FCIconnect.com

Copyright FCI.







PT. NO.	PARTS NAME	CAT. NO.	MATERIAL	Q'TY	NOTE
1	REEL	_____	CARDBOARD	1	COLOR:WHITE
2	PLASTIC (EMBOSSED) TAPE	_____	PET	—	COLOR:TRANSPARENCY
3	COVER	_____	POLYESTER	—	COLOR:TRANSPARENCY
4	CONNECTOR	HFW__R-6ST__LF	SEE ATTACHED DWG.	2000	UPPER CONTACT TYPE

NOTES

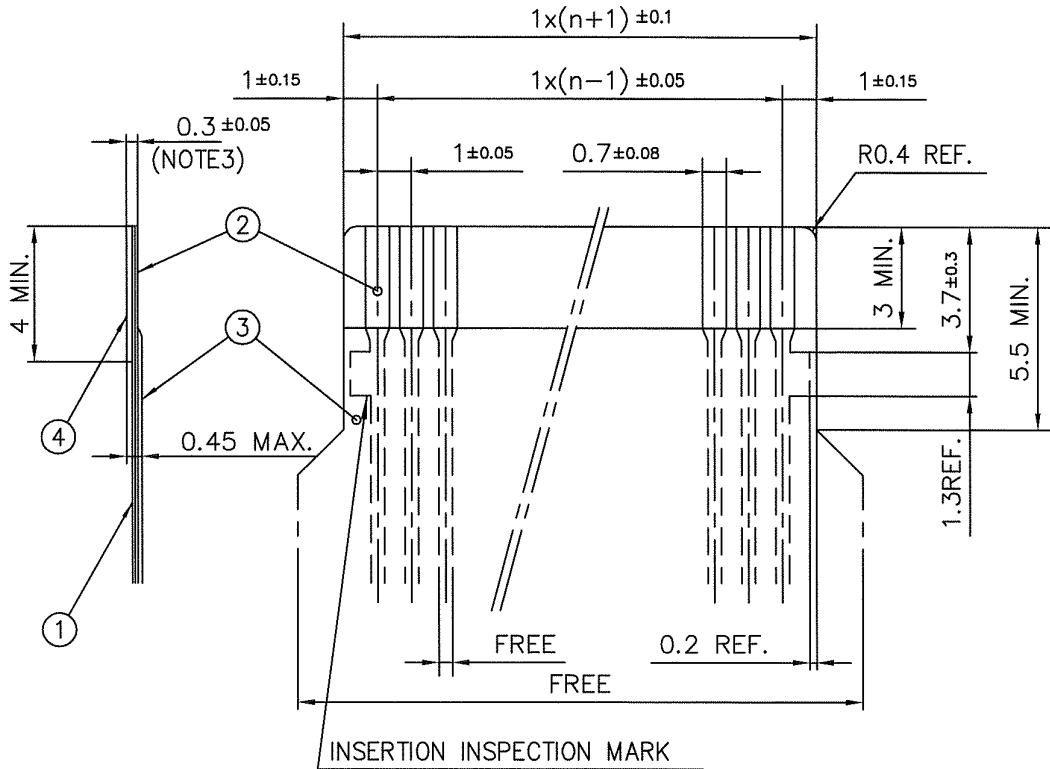
1. THIS IS PLASTIC TAPE PACKAGED CONNECTOR DESIGNED TO TERMINATE CIC AND COPES WITH AUTOMATIC MOUNTING (SMT).
2. SEE JIS C 0806 (PACKING OF ELECTRONIC COMPONENTS ON CONTINUOUS TAPES (SURFACE MOUNTING DEVICES)) FOR SHAPE AND DIMENSIONS OF PLASTIC (EMBOSSED) TAPE AND REEL.
3. E DIMENSION IS PORTION OF THE CORE.

mat'l. code		surface 58	tolerance ISO 406	projection	product family 58NF	CODE JP
ltr	ecn no	dr	date	tolerances unless otherwise specified	title	
A	J07-0397	H.T	7/27/07	±5	1mm SPACING SMT CONNECTOR (Cat.No. HFW__R-6STE1LF)	
				angles linear	mm	
				±5'	scale X	
		dr	7/27/07	FCJ		dwg no sheet 1 of 1 size
		enr	7/27/07			JSA 97344 A4
		chr	7/27/07			
		appd	7/27/07			type Product Customer Drawing
sheet index	revision	A				Rev. A
	sheet	1				

SC-HFWR05 JSA97342 form: A4

RECOMMENDED CABLE (CIC)

n : NO. OF CONDUCTORS



PT. NO.	DESCRIPTION	MATERIAL	THICKNESS (μm)	
1	BASE FILM	POLYIMIDE OR POLYESTER OR EQUIVALENT	75	25
2	CONDUCTOR	CARBON PASTE OVER SIVER PASTE	10MIN.	
3	OVERLAY	POLYIMIDE OR POLYESTER OR EQUIVALENT	—	
4	SUPPORTING TAPE	POLYESTER OR POLYIMIDE OR EQUIVALENT	188	250

NOTES

1. NO BURR AT EACH PORTION.
2. NO PEELING IN COMMON USE.
3. TOTAL THICKNESS LIMIT OF EACH MATERIAL (INCLUDING ADHESIVE AGENT) IS SPECIFIED.

mat'l. code		surface 58 / tolerance ISO 1302 ✓ / ISO 406 / ISO 1101		projection	product family 58NF	CODE JP
ltr	ecn no	dr	date	tolerances unless otherwise specified	title	
A	J07-0397	H.T	7/27/07	angles linear	RECOMMENDED CABLE (CIC) (Cat. No. HFW__R-5/6__)	
				mm	dwg no sheet 1 of 1 size	
				scale X	JSA 97345 A4	
				dr <i>H. Kato</i> 7/27/07	type Product Customer Drawing	
				enr <i>H. Kato</i> 7/27/07		
				chr <i>R. Shoyi</i> 7/27/07		
				app <i>S. Chudam</i> 7/27/07		
sheet index	revision sheet	A	1	Rev. A		

form: A4

1

2



FCIconnect.com

Copyright FCI.

