



FCIconnect.com

Copyright FCI

List of "SFV__R-1/2STAE1LF" customer document

| DOCUMENT NO. | LIST |
|--------------|--|
| SC-SFV06 | SPEC. |
| JSA96245 | CAT.NO.TABLE FOR 0.5mm CONTACT SPACING CONNECTOR (SFV__R-1/2STA_LF) |
| JSA96246 | CONNECTOR USED FOR FPC/FFC WITH 0.5mm CONTACT SPACING (SFV__R-1STA_LF) |
| JSA96247 | CONNECTOR USED FOR FPC/FFC WITH 0.5mm CONTACT SPACING (SFV__R-2STA_LF) |
| JSA96248 | CAT.NO.TABLE FOR PLASTIC TAPE PACKAGED 0.5mm CONTACT SPACING CONNECTOR (SFV__R-1/2STAE1LF) |
| JSA96249 | PLASTIC TAPE PACKAGED 0.5mm CONTACT SPACING CONNECTOR (SFV__R-1STAE1LF) |
| JSA96250 | PLASTIC TAPE PACKAGED 0.5mm CONTACT SPACING CONNECTOR (SFV__R-2STAE1LF) |
| JSA96004 | RECOMMENDED CABLE (FPC) (SFV__R-1/2STA_...) |
| JSA97202 | RECOMMENDED CABLE (FFC) (SFV__R-1/2ST_...) |
| BJM-SFV101 | HANDLING PROCEDURES |

| | | | | | | | | | | | | | |
|-------------|----------------|-----|-----------|---|--|-------------------------------|--|----------------|--|---|--|--|--|
| mat'l. code | | | | surface ISO 1302 <input checked="" type="checkbox"/> | | tolerance ISO 406 ISO 1101 | | projection | | product family 58EF | | | |
| ltr | ecn no | dr | date | tolerances unless otherwise specified | | | | | | title 0.5mm SPACING FPC CONNECTOR DOCUMENT LIST (Cat. No. : SFV__R-1/2STAE1LF) | | | |
| A | J04-0454 | H.T | '05/2/7 | angles | | linear | | scale χ | | dwg no JSA 96244 sheet 1 of 1 size A4 | | | |
| B | J06-0372 | H.T | '06/9/7 | | | | | | | | | | |
| C | J06-0499 | H.T | '06/11/27 | | | | | | | type Product Customer Drawing | | | |
| | | | | dr | | 11/27/06 | | | | | | | |
| | | | | enr | | 11/27/06 | | | | | | | |
| | | | | chr | | 11/27/06 | | | | | | | |
| | | | | appd | | 11/28/06 | | | | | | | |
| sheet index | revision sheet | C | 1 | | | | | | | Rev. C | | | |

form: A4

1

2

CAT. NO. & DIMENSIONS

| NO. OF CONTACTS (n) | CAT. NO. | DIMENSIONS (NOTE2) | | | |
|---------------------|-------------------|--------------------|---------|---------|---------|
| | | A ± 0.2 | B ± 0.2 | C ± 0.1 | D ± 0.1 |
| 4 | SFV4R-1/2STA__LF | 7.5 | 5.9 | 1.5 | 2.7 |
| 5 | SFV5R-1/2STA__LF | 8.0 | 6.4 | 2.0 | 3.2 |
| 6 | SFV6R-1/2STA__LF | 8.5 | 6.9 | 2.5 | 3.7 |
| 7 | SFV7R-1/2STA__LF | 9.0 | 7.4 | 3.0 | 4.2 |
| 8 | SFV8R-1/2STA__LF | 9.5 | 7.9 | 3.5 | 4.7 |
| 9 | SFV9R-1/2STA__LF | 10.0 | 8.4 | 4.0 | 5.2 |
| 10 | SFV10R-1/2STA__LF | 10.5 | 8.9 | 4.5 | 5.7 |
| 11 | SFV11R-1/2STA__LF | 11.0 | 9.4 | 5.0 | 6.2 |
| 12 | SFV12R-1/2STA__LF | 11.5 | 9.9 | 5.5 | 6.7 |
| 13 | SFV13R-1/2STA__LF | 12.0 | 10.4 | 6.0 | 7.2 |
| 14 | SFV14R-1/2STA__LF | 12.5 | 10.9 | 6.5 | 7.7 |
| 15 | SFV15R-1/2STA__LF | 13.0 | 11.4 | 7.0 | 8.2 |
| 16 | SFV16R-1/2STA__LF | 13.5 | 11.9 | 7.5 | 8.7 |
| 17 | SFV17R-1/2STA__LF | 14.0 | 12.4 | 8.0 | 9.2 |
| 18 | SFV18R-1/2STA__LF | 14.5 | 12.9 | 8.5 | 9.7 |
| 19 | SFV19R-1/2STA__LF | 15.0 | 13.4 | 9.0 | 10.2 |
| 20 | SFV20R-1/2STA__LF | 15.5 | 13.9 | 9.5 | 10.7 |
| 21 | SFV21R-1/2STA__LF | 16.0 | 14.4 | 10.0 | 11.2 |
| 22 | SFV22R-1/2STA__LF | 16.5 | 14.9 | 10.5 | 11.7 |
| 23 | SFV23R-1/2STA__LF | 17.0 | 15.4 | 11.0 | 12.2 |
| 24 | SFV24R-1/2STA__LF | 17.5 | 15.9 | 11.5 | 12.7 |
| 25 | SFV25R-1/2STA__LF | 18.0 | 16.4 | 12.0 | 13.2 |
| 26 | SFV26R-1/2STA__LF | 18.5 | 16.9 | 12.5 | 13.7 |
| 27 | SFV27R-1/2STA__LF | 19.0 | 17.4 | 13.0 | 14.2 |
| 28 | SFV28R-1/2STA__LF | 19.5 | 17.9 | 13.5 | 14.7 |
| 29 | SFV29R-1/2STA__LF | 20.0 | 18.4 | 14.0 | 15.2 |
| 30 | SFV30R-1/2STA__LF | 20.5 | 18.9 | 14.5 | 15.7 |
| 31 | SFV31R-1/2STA__LF | 21.0 | 19.4 | 15.0 | 16.2 |
| 32 | SFV32R-1/2STA__LF | 21.5 | 19.9 | 15.5 | 16.7 |
| 33 | SFV33R-1/2STA__LF | 22.0 | 20.4 | 16.0 | 17.2 |
| 34 | SFV34R-1/2STA__LF | 22.5 | 20.9 | 16.5 | 17.7 |
| 35 | SFV35R-1/2STA__LF | 23.0 | 21.4 | 17.0 | 18.2 |

CAT. NO. SFV (n) R - 1 ST A -- LF

SERIES NAME

NO. OF CONTACTS

RIGHT ANGLE TYPE

FOR FPC/FFC, CONTACT DIRECTION

1. LOWER CONTACT TYPE
2. UPPER CONTACT TYPE

FOR AUTOMATIC MOUNTING (SMT)

GOLD PLATING

PACKAGE STYLE

LEAD FREE

NOTES

- THIS PRODUCT IS THE CONNECTOR USED FOR FPC AND COPELS WITH AUTOMATIC MOUNTING (SMT).
- SEE PART DRAWINGS FOR DIMENSIONS A-D.

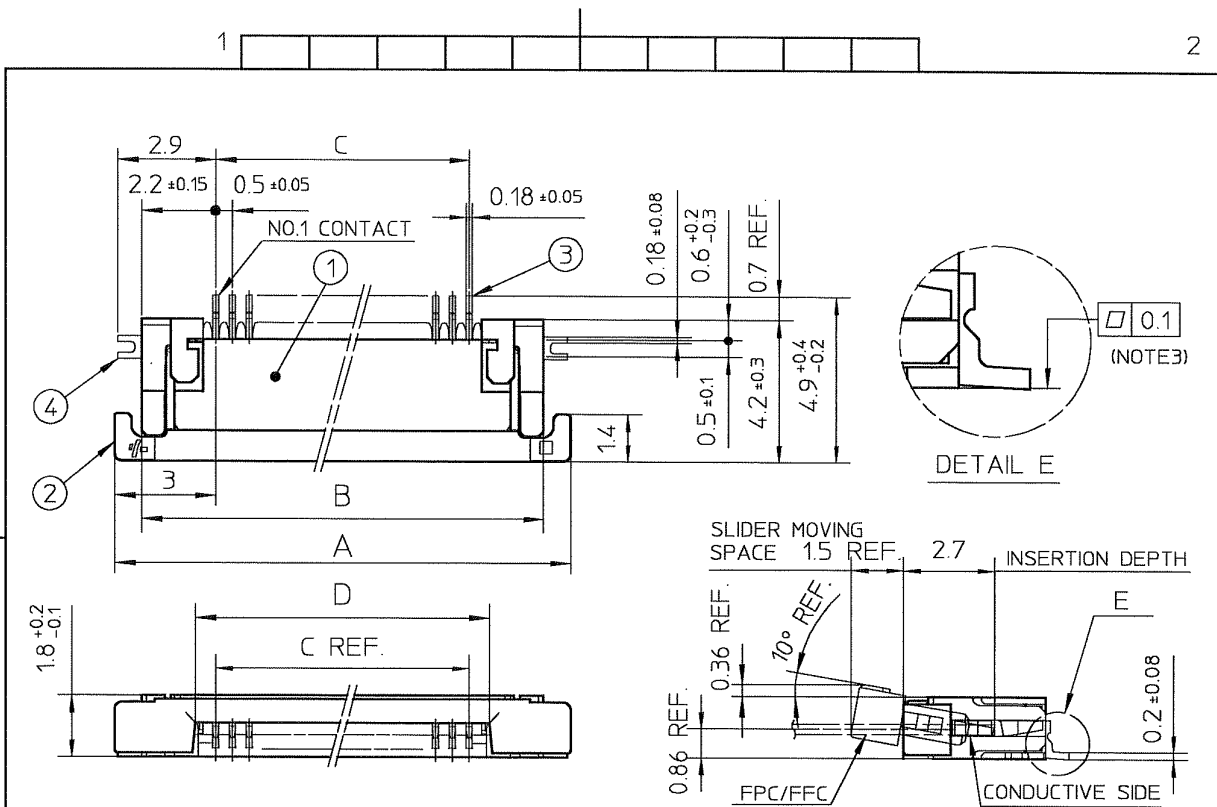


FCIconnect.com

Copyright FCI

| | | | | | | | | | | | | | |
|-------------|--|----------------|--|--------------------|--|----------------------------|--|------------------|--|---|--|-------------------------------|--|
| mat'l. code | | | | surface ISO 1302 ✓ | | tolerance ISO 406 ISO 1101 | | projection | | product family 58EF | | | |
| litr | | | | ecn no | | dr | | date | | title | | | |
| A | | | | J04-0454 | | H.T | | '05/2/7 | | CAT. NO. TABLE FOR 0.5 mm CONTACT SPACING CONNECTOR | | | |
| B | | | | J06-0372 | | H.T | | '06/9/7 | | (Cat. No. : SFV__R-1/2STA__LF) | | | |
| | | | | angles | | linear | | scale X | | dwg no | | sheet 1 of 1 size | |
| | | | | | | | | | | JSA 96245 | | A4 | |
| | | | | dr | | engr | | chr | | appd | | type Product Customer Drawing | |
| | | | | K. Shoupe 9/7/06 | | K. Shoupe 9/7/06 | | K. Shoupe 9/8/06 | | S. Shoupe 9/8/06 | | | |
| sheet index | | revision sheet | | B 1 | | | | | | | | Rev. B | |

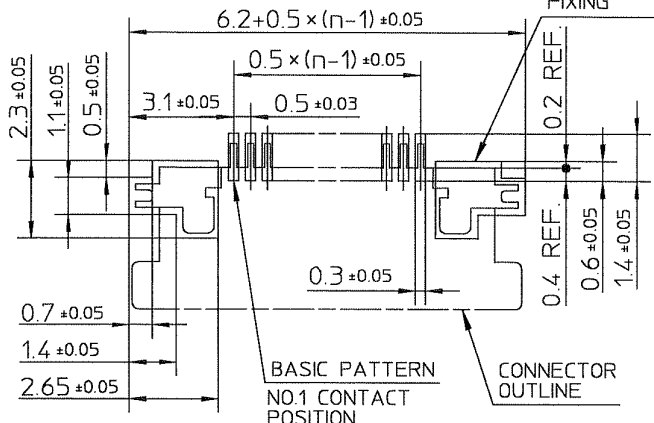
SC-SFV06 JSA96246, 96247, 96248, 96004 form: A4



| PT. NO. | PARTS NAME | MATERIAL | Q'TY | NOTE |
|---------|----------------|--|------|--|
| 1 | HOUSING | POLYAMIDE RESIN GLASS REINFORCED (UL94V-0) | 1 | COLOR :BLACK |
| 2 | SLIDER | PPS RESIN GLASS REINFORCED (UL94V-0) | 1 | COLOR :BROWN |
| 3 | CONTACT | PHOSPHOR BRONZE | n | PLATING : CONTACT AREA GOLD TERMINAL AREA TIN |
| 4 | MOUNTING PLATE | | 2 | PLATING :LEAD FREE |

RECOMMENDED PC BOARD LAYOUT
(COMPONENT SIDE)

PATTERN FOR MOUNTING PLATE
FIXING



n : NO. OF CONTACTS

NOTES

1. THIS PRODUCT IS THE CONNECTOR USED FOR FPC AND COPES WITH AUTOMATIC MOUNTING (SMT).
2. THIS PRODUCT IS LOWER CONTACT TYPE CONNECTOR.
3. FLATNESS OF CONTACT TERMINAL AND MOUNTING PLATE MUST BE WITHIN TOLERANCE IN E PORTION DETAILED DRAWING.
4. THIS PRODUCT MEETS EUROPEAN UNION DIRECTIVES AND OTHER COUNTRY REGULATIONS AS DESCRIBED IN GS-22-008.
5. THE HOUSING WILL WITHSTAND EXPOSURE TO 260°C PEAK TEMPERATURE FOR 10 SECONDS IN A REFLOW SOLDERING OVEN.

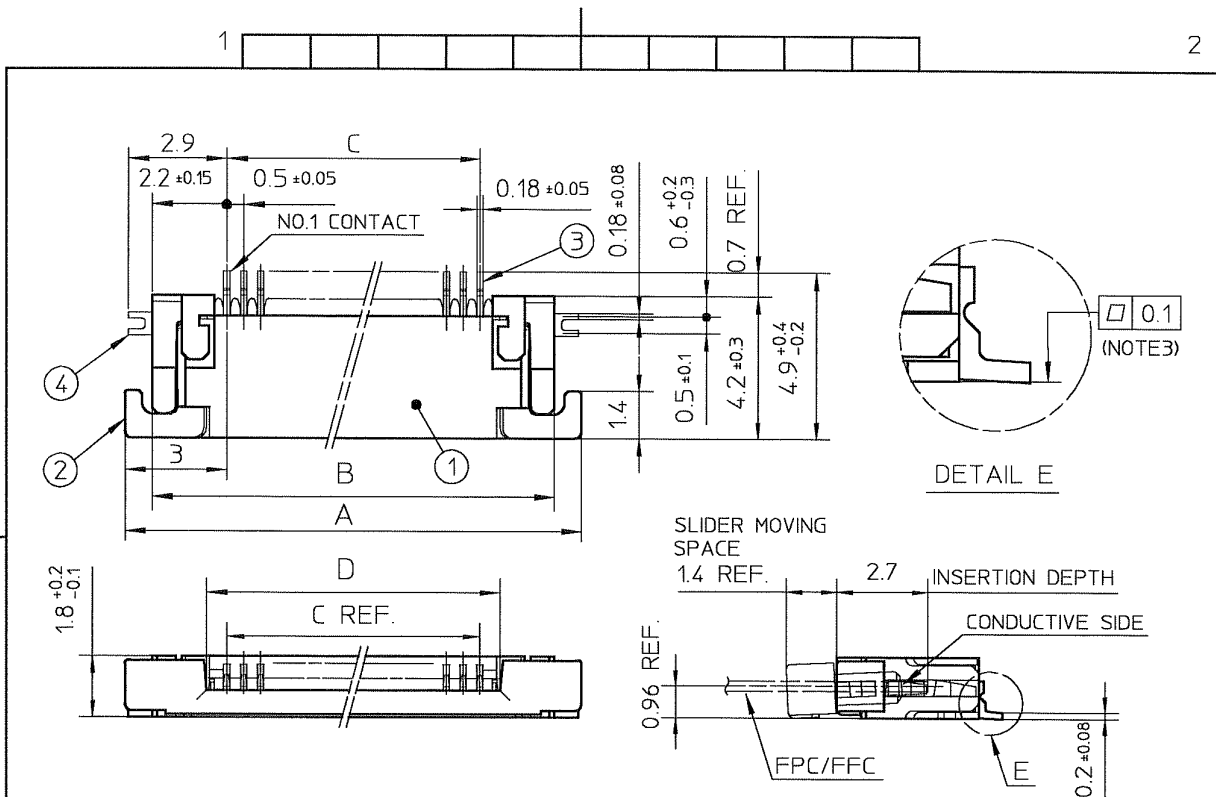
| | | | | | | | | | | | |
|--------------------------|--|------------|--|---------------------------------------|--|----------------------------|--|------------|--|---|--|
| mat'l. code | | | | surface ISO 1302 | | tolerance ISO 406 ISO 1101 | | projection | | product family 58EF | |
| ltr ecn no dr date | | | | tolerances unless otherwise specified | | angles linear | | title | | CONNECTION USED FOR FPC WITH 0.5 mm CONTACT SPACING (Cat No. : SFV_R-1STA_LF) | |
| A J04-0454 H.T '05/2/17 | | | | | | | | scale | | dwg no sheet 1 of 1 size | |
| B J05-0710 H.T '05/10/21 | | | | | | | | FCI | | JSA 96246 A4 | |
| C J06-0064 H.T '06/2/23 | | | | | | | | | | type Product Customer Drawing | |
| D J06-0372 H.T '06/9/17 | | | | dr | | 9/7/06 | | | | | |
| | | | | enr | | 9/7/06 | | | | | |
| | | | | chr | | 9/8/06 | | | | | |
| | | | | appd | | 9/11/06 | | | | | |
| sheet index | | revision D | | sheet 1 | | | | | | Rev. D | |

SC-SFV06 JSA96245 Form: A4



FCIconnect.com

Copyright FCI

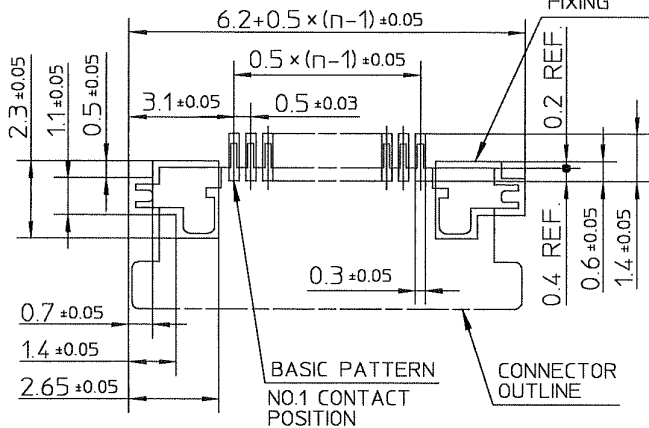


| PT. NO. | PARTS NAME | MATERIAL | Q'TY | NOTE |
|---------|----------------|--|------|--|
| 1 | HOUSING | POLYAMIDE RESIN GLASS REINFORCED (UL94V-0) | 1 | COLOR : BLACK |
| 2 | SLIDER | PPS RESIN GLASS REINFORCED (UL94V-0) | 1 | COLOR : BROWN |
| 3 | CONTACT | PHOSPHOR BRONZE | n | PLATING : CONTACT AREA GOLD TERMINAL AREA TIN |
| 4 | MOUNTING PLATE | | 2 | PLATING : LEAD FREE |

RECOMMENDED PC BOARD LAYOUT
(COMPONENT SIDE)

PATTERN FOR MOUNTING PLATE
FIXING

n : NO. OF CONTACTS



NOTES

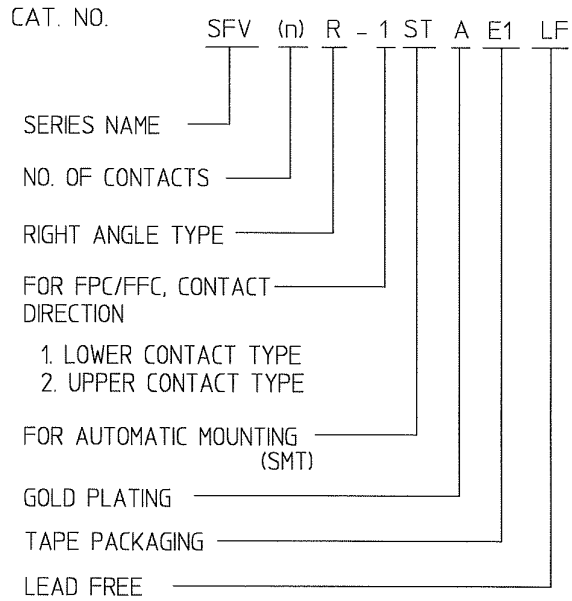
- THIS PRODUCT IS THE CONNECTOR USED FOR FPC AND COPE WITH AUTOMATIC MOUNTING (SMT).
- THIS PRODUCT IS UPPER CONTACT TYPE CONNECTOR.
- FLATNESS OF CONTACT TERMINAL AND MOUNTING PLATE MUST BE WITHIN TOLERANCE IN E PORTION DETAILED DRAWING.
- THIS PRODUCT MEETS EUROPEAN UNION DIRECTIVES AND OTHER COUNTRY REGULATIONS AS DESCRIBED IN GS-22-008.
- THE HOUSING WILL WITHSTAND EXPOSURE TO 260°C PEAK TEMPERATURE FOR 10 SECONDS IN A REFLOW SOLDERING OVEN.

| | | | | | | | | | |
|-------------|----------|--------------------|-----------|---------------------------------------|--------|------------|-------------------------------|--|--|
| mat'l. code | | surface ISO 1302 ✓ | | tolerance ISO 406 ISO 1101 | | projection | | product family 58EF | |
| ltr | ecn no | dr | date | tolerances unless otherwise specified | | title | | CONNECTION USED FOR FPC WITH 0.5 mm CONTACT SPACING (Cat. No. : SFV__R-2STA__LF) | |
| A | J04-0454 | H.T | '05/2/17 | angles | linear | ±0.2 | scale X | dwg no sheet 1 of 1 size | |
| B | J05-0710 | H.T | '05/10/21 | | | | | JSA 96247 | |
| C | J06-0064 | H.T | '06/2/23 | dr | | | type Product Customer Drawing | | |
| D | J06-0372 | H.T | '06/9/17 | engr | | | Rev. D | | |
| sheet index | | revision | D | appd | | | | Rev. D | |

SC-SFV06 JSA96245 form: A4

CAT. NO. & DIMENSIONS

| NO. OF CONTACTS (n) | CAT. NO. | DIMENSIONS (NOTE3) | | |
|---------------------|-------------------|--------------------|---------|---------|
| | | F ± 5 | G ± 0.3 | H ± 0.1 |
| 4 | SFV4R-1/2STAE1LF | 20.4 | 16 | — |
| 5 | SFV5R-1/2STAE1LF | 20.4 | 16 | — |
| 6 | SFV6R-1/2STAE1LF | 20.4 | 16 | — |
| 7 | SFV7R-1/2STAE1LF | 28.4 | 24 | — |
| 8 | SFV8R-1/2STAE1LF | 28.4 | 24 | — |
| 9 | SFV9R-1/2STAE1LF | 28.4 | 24 | — |
| 10 | SFV10R-1/2STAE1LF | 28.4 | 24 | — |
| 11 | SFV11R-1/2STAE1LF | 28.4 | 24 | — |
| 12 | SFV12R-1/2STAE1LF | 28.4 | 24 | — |
| 13 | SFV13R-1/2STAE1LF | 28.4 | 24 | — |
| 14 | SFV14R-1/2STAE1LF | 28.4 | 24 | — |
| 15 | SFV15R-1/2STAE1LF | 28.4 | 24 | — |
| 16 | SFV16R-1/2STAE1LF | 28.4 | 24 | — |
| 17 | SFV17R-1/2STAE1LF | 28.4 | 24 | — |
| 18 | SFV18R-1/2STAE1LF | 28.4 | 24 | — |
| 19 | SFV19R-1/2STAE1LF | 28.4 | 24 | — |
| 20 | SFV20R-1/2STAE1LF | 28.4 | 24 | — |
| 21 | SFV21R-1/2STAE1LF | 28.4 | 24 | — |
| 22 | SFV22R-1/2STAE1LF | 28.4 | 24 | — |
| 23 | SFV23R-1/2STAE1LF | 36.4 | 32 | 28.4 |
| 24 | SFV24R-1/2STAE1LF | 36.4 | 32 | 28.4 |
| 25 | SFV25R-1/2STAE1LF | 36.4 | 32 | 28.4 |
| 26 | SFV26R-1/2STAE1LF | 36.4 | 32 | 28.4 |
| 27 | SFV27R-1/2STAE1LF | 36.4 | 32 | 28.4 |
| 28 | SFV28R-1/2STAE1LF | 36.4 | 32 | 28.4 |
| 29 | SFV29R-1/2STAE1LF | 36.4 | 32 | 28.4 |
| 30 | SFV30R-1/2STAE1LF | 36.4 | 32 | 28.4 |
| 31 | SFV31R-1/2STAE1LF | 48.4 | 44 | 40.4 |
| 32 | SFV32R-1/2STAE1LF | 48.4 | 44 | 40.4 |
| 33 | SFV33R-1/2STAE1LF | 48.4 | 44 | 40.4 |
| 34 | SFV34R-1/2STAE1LF | 48.4 | 44 | 40.4 |
| 35 | SFV35R-1/2STAE1LF | 48.4 | 44 | 40.4 |



NOTES

- THIS PRODUCT IS THE CONNECTOR USED FOR FPC AND COPEs WITH AUTOMATIC MOUNTING (SMT).
- THIS CATALOG NO. INDICATES PLASTIC TAPE PACKAGED CONNECTOR.
- SEE PART DRAWINGS FOR DIMENSIONS F-H.



FCIconnect.com

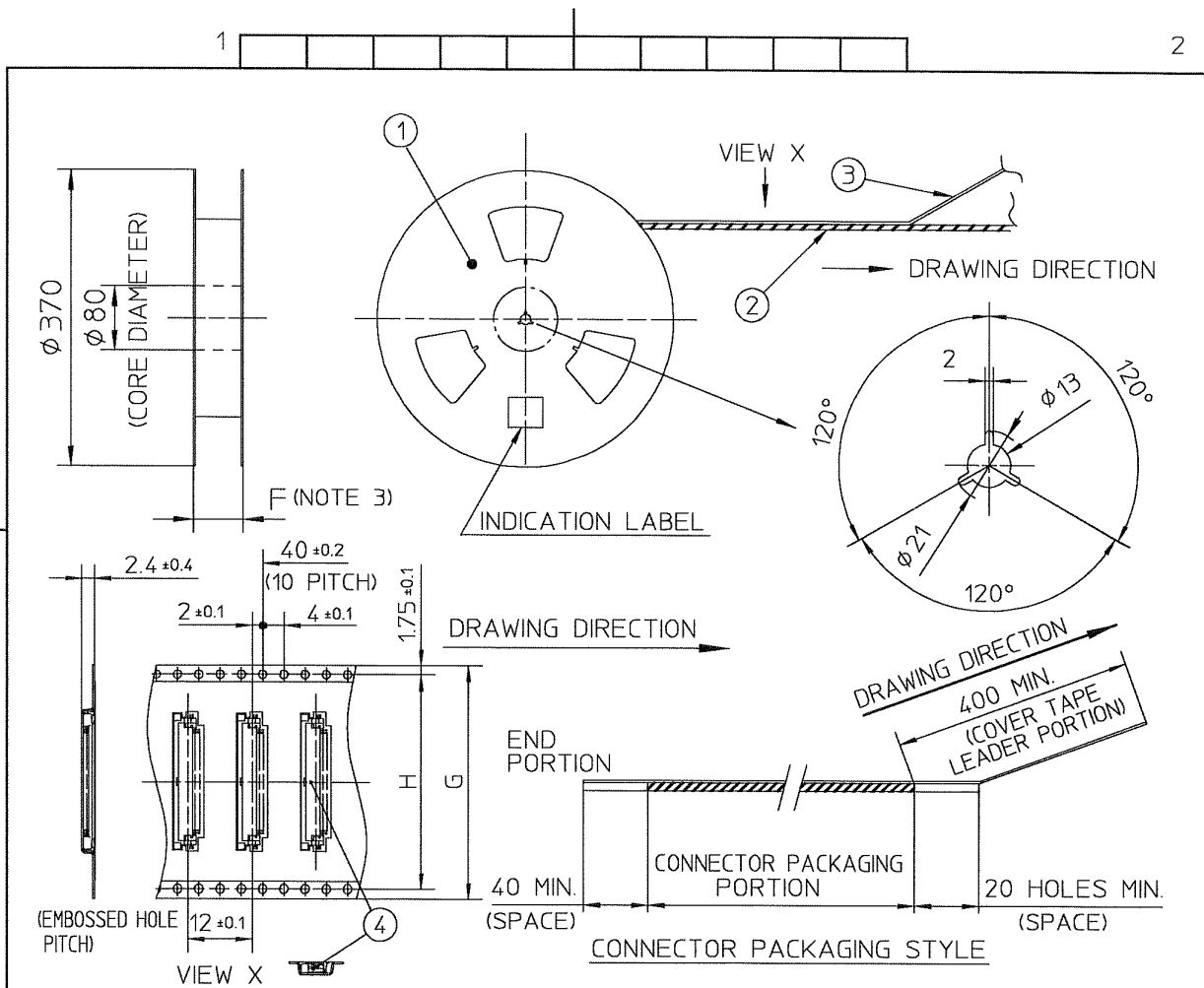
Copyright FCI

| | | | | | | | | | | | | | | |
|-------------|----------|-----|---------|---------------------------------------|---------|----------------------------|--|------------|--|--|-------------------------------|--|--|--|
| mat'l. code | | | | surface ISO 1302 ✓ | | tolerance ISO 406 ISO 1101 | | projection | | product family 58EF | | | | |
| ltr | ecn no | dr | date | tolerances unless otherwise specified | | | | | | title | | | | |
| A | J04-0454 | H.T | 05/2/77 | angles | linear | ← → | | | | CAT. NO. TABLE FOR PLASTIC TAPE PACKAGED 0.5 mm CONTACT SPACING CONNECTOR (Cat. No. : SFV__R-1/2STAE1LF) | | | | |
| B | J06-0372 | H.T | 06/9/77 | | | scale X | | | | dwg no JSA 96248 sheet 1 of 1 size A4 | | | | |
| | | | | dr | 9/7/06 | | | | | | type Product Customer Drawing | | | |
| | | | | engr | 9/7/06 | | | | | | | | | |
| | | | | chr | 9/8/06 | | | | | | | | | |
| | | | | appd | 9/11/06 | | | | | | | | | |
| sheet index | revision | B | 1 | | | | | | | Rev. B | | | | |

SC-SFV06 JSA96245 96249 96250 form: A4

1

2



| PT. NO. | PARTS NAME | CAT. NO. | MATERIAL | Q'TY | NOTE |
|---------|-----------------------|-----------------|-------------------|------|----------------------|
| 1 | REEL | — | CARDBOARD | 1 | COLOR : WHITE |
| 2 | PLASTIC (EMBOSS) TAPE | — | A-PET | — | COLOR : TRANSPARENCY |
| 3 | COVER | — | POLYESTER | — | COLOR : TRANSPARENCY |
| 4 | CONNECTOR | SFV__R-1STA__LF | SEE ATTACHED DWG. | 3000 | LOWER CONTACT TYPE |

NOTES

- THIS IS PLASTIC TAPE PACKAGED CONNECTOR USED FOR FPC AND COPEs WITH AUTOMATIC MOUNTING (SMT).
- SEE JIS C 0806 (PACKING OF ELECTRONIC COMPONENTS ON CONTINUOUS TAPES (SURFACE MOUNTING DEVICES)) FOR SHAPE AND DIMENSIONS OF PLASTIC (EMBOSS) TAPE AND REEL.
- F DIMENSION IS PORTION OF THE CORE.

| | | | | | | | | | |
|-------------|----------|--------------------|---------|---------------------------------------|--------|----------------------------------|--|-------------------------------|--------|
| mat'l. code | | surface ISO 1302 ✓ | | tolerance ISO 406 ISO 1101 | | projection | | product family 58EF | |
| ltr | ecn no | dr | date | tolerances unless otherwise specified | | title | | PLASTIC TAPE PACKAGED | |
| A | J04-0454 | H.T | '05/2/7 | angles | linear | 0.5 mm CONTACT SPACING CONNECTOR | | (Cat. No. : SFV__R-1STAE1LF) | |
| B | J06-0372 | H.T | '06/9/7 | ±5° | | scale X | | dwg no sheet 1 of 1 size | |
| | | | | dr | | 9/7/06 | | JSA 96249 A4 | |
| | | | | enr | | 9/7/06 | | | |
| | | | | chr | | 9/8/06 | | | |
| | | | | appd | | 9/2/06 | | type Product Customer Drawing | |
| sheet index | revision | B | | | | | | | Rev. B |
| | sheet | 1 | | | | | | | |

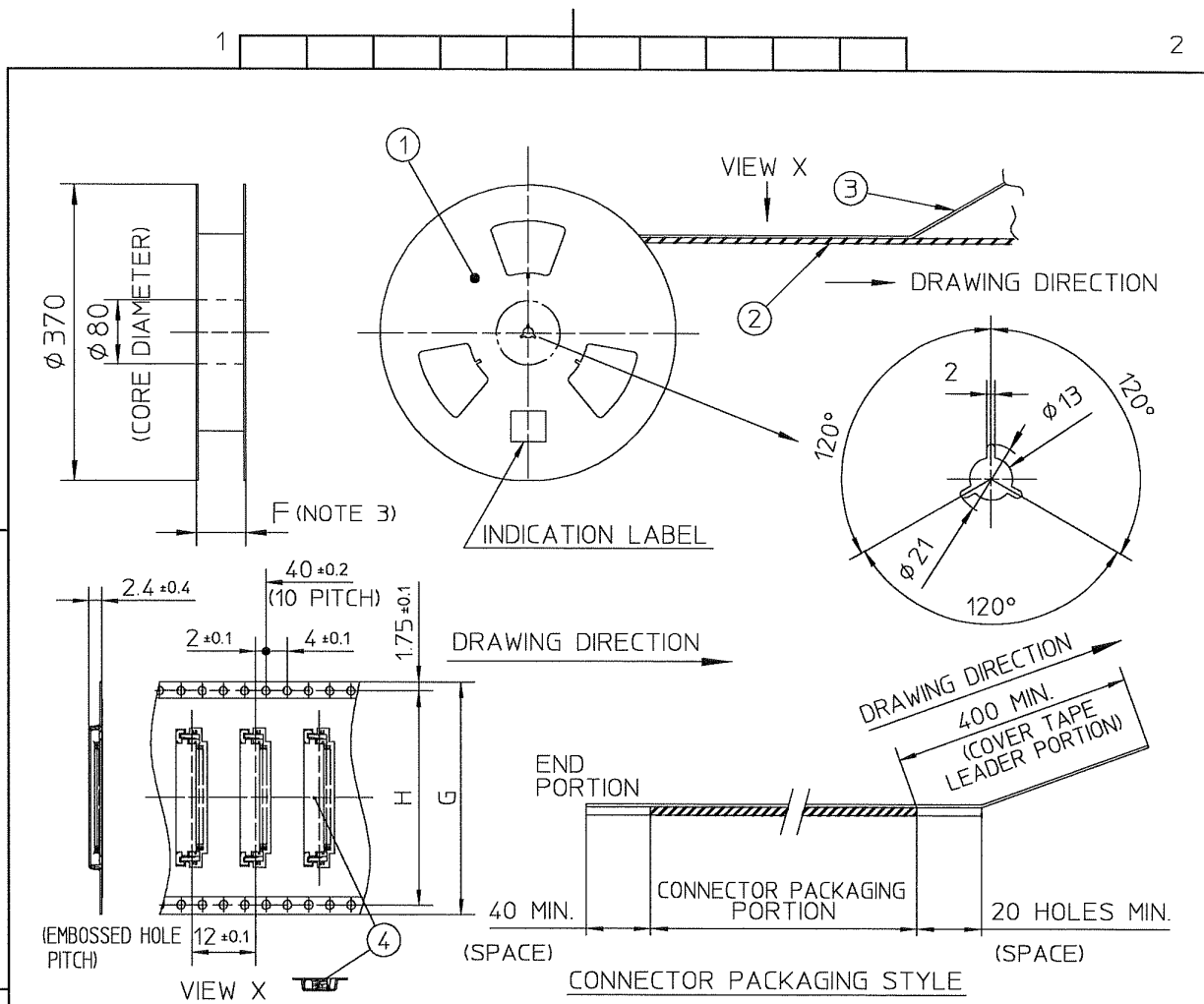
SC-SFV06 JSA96248 form: A4



FCJconnect.com

Copyright FCJ





| PT. NO. | PARTS NAME | CAT. NO. | MATERIAL | Q'TY | NOTE |
|---------|-----------------------|---------------|-------------------|------|----------------------|
| 1 | REEL | _____ | CARDBOARD | 1 | COLOR : WHITE |
| 2 | PLASTIC (EMBOSS) TAPE | _____ | A-PET | — | COLOR : TRANSPARENCY |
| 3 | COVER | _____ | POLYESTER | — | COLOR : TRANSPARENCY |
| 4 | CONNECTOR | SFV_R-2STA_LF | SEE ATTACHED DWG. | 3000 | UPPER CONTACT TYPE |

NOTES

- THIS IS PLASTIC TAPE PACKAGED CONNECTOR USED FOR FPC AND COPEs WITH AUTOMATIC MOUNTING (SMT).
- SEE JIS C 0806 (PACKING OF ELECTRONIC COMPONENTS ON CONTINUOUS TAPES (SURFACE MOUNTING DEVICES)) FOR SHAPE AND DIMENSIONS OF PLASTIC (EMBOSS) TAPE AND REEL.
- F DIMENSION IS PORTION OF THE CORE.

| | | | | | | | | | | | |
|-------------|----------|-----|---------|---------------------------------------|--|----------------------------|--|----------------------------------|--|-------------------------------|--|
| mat'l. code | | | | surface ISO 1302 ✓ | | tolerance ISO 406 ISO 1101 | | projection | | product family 58EF | |
| ltr | ecn no | dr | date | tolerances unless otherwise specified | | | | title | | | |
| A | J04-0454 | H.T | '05/2/7 | angles | | ±5 | | PLASTIC TAPE PACKAGED | | | |
| B | J06-0372 | H.T | '06/9/7 | linear | | | | 0.5 mm CONTACT SPACING CONNECTOR | | | |
| | | | | ±5° | | | | scale X | | dwg no | |
| | | | | dr | | 9/7/06 | | FCI | | sheet 1 of 1 | |
| | | | | enr | | 9/7/06 | | | | size | |
| | | | | chr | | 9/8/06 | | | | A4 | |
| | | | | appd | | 9/11/06 | | | | type Product Customer Drawing | |
| sheet | revision | B | | | | | | | | Rev. | |
| index | sheet | 1 | | | | | | | | B | |

SC-SFV06 JSA96248
form: A4

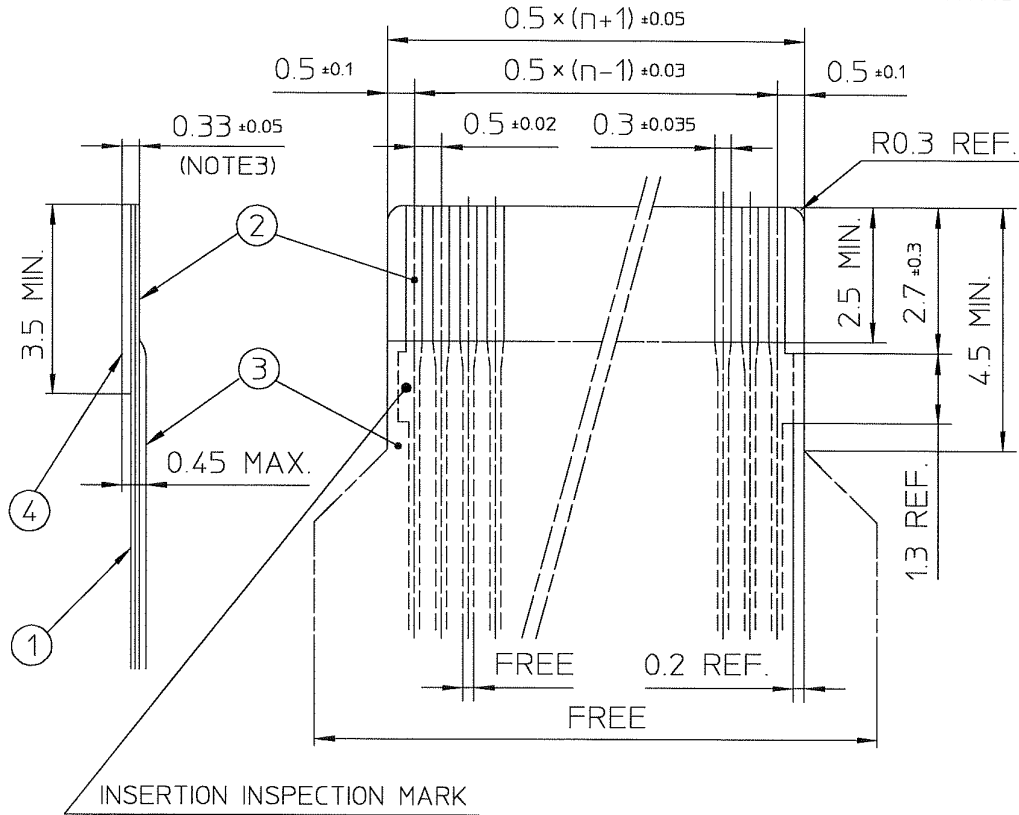


FCIconnect.com

Copyright FCI

RECOMMENDED CABLE (FPC)

n : NO. OF CONTACTS



| PT. NO. | PARTS NAME | MATERIAL | THICKNESS(μm) |
|---------|-----------------|---------------------------------|---------------|
| 1 | BASE FILM | POLYIMIDE OR POLYESTER OR EQUAL | 25 |
| 2 | CONDUCTOR | COPPER FOIL(PLATING : GOLD) | 35 |
| 3 | OVERLAY | POLYIMIDE OR POLYESTER OR EQUAL | — |
| 4 | SUPPORTING TAPE | POLYESTER OR POLYIMIDE OR EQUAL | 188 |

NOTES

1. NO BURR AT EACH PORTION.
2. NO PEELING IN COMMON USE.
3. TOTAL THICKNESS LIMIT OF EACH MATERIAL (INCLUDING ADHESIVE AGENT) IS SPECIFIED.

| | | | | | | | | | | |
|-------------|----------|--|----------|----------------------------|---------------------------------------|------------|------------------------------|---------------------|-------------------------------|--|
| mat'l. code | | surface ISO 1302 <input checked="" type="checkbox"/> | | tolerance ISO 406 ISO 1101 | | projection | | product family 58EF | | |
| ltr | ecn no | dr | date | | tolerances unless otherwise specified | | title | | | |
| A | J04-0182 | H.T. | '04/7/15 | | angles linear | | RECOMMENDED CABLE | | | |
| B | J06-0372 | H.T. | '06/9/7 | | | | (Cat. No. : SFV__R-1/2STA__) | | | |
| | | dr | 9/7/06 | | | | scale X | | dwg no sheet 1 of 1 size | |
| | | enr | 9/7/06 | | | | | | JSA 96004 A4 | |
| | | chr | 9/8/06 | | | | | | type Product Customer Drawing | |
| | | appd | 9/11/06 | | | | | | | |
| sheet index | revision | B | | | | | | | Rev. B | |
| | sheet | 1 | | | | | | | | |

SC-SFV05 JSA95998 form: A4

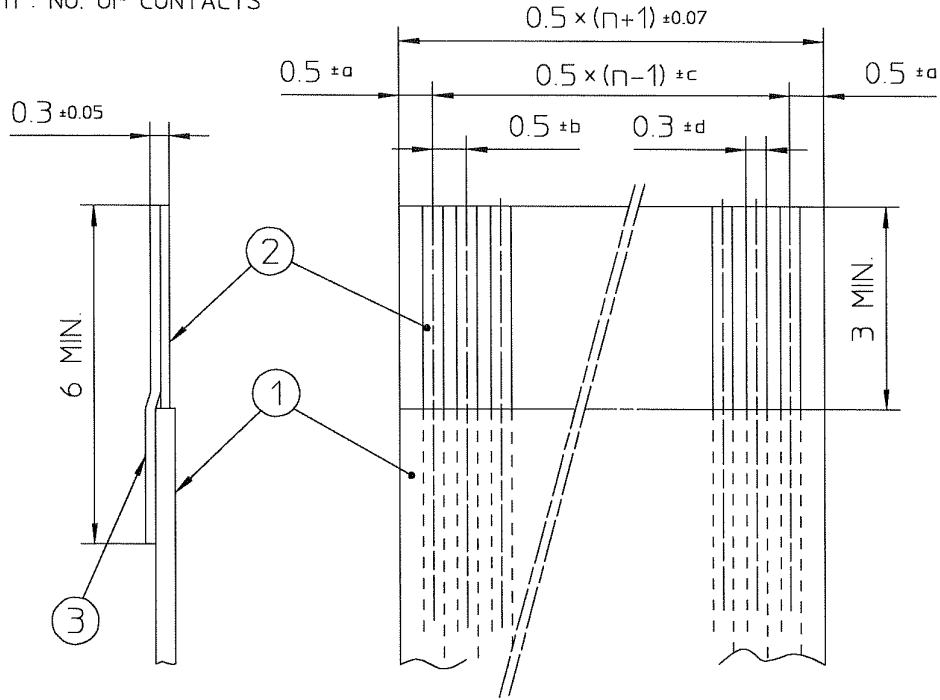


FCIconnect.com

Copyright FCI

RECOMMENDED CABLE (FFC)

n : NO. OF CONTACTS



| KIND OF FFC (NOTE3) | DIMENSIONAL TOLERANCE | | | |
|---------------------|-----------------------|-------|-------|--------|
| | a | b | c | d |
| 1 | ±0.07 | ±0.04 | ±0.05 | ±0.02 |
| 2 | ±0.1 | ±0.03 | ±0.03 | ±0.025 |

| PT. NO. | PARTS NAME | MATERIAL |
|---------|-----------------|------------------------------------|
| 1 | INSULATOR | FLAME RESISTING POLYESTER OR EQUAL |
| 2 | CONDUCTOR | COPPER FOIL (PLATING : GOLD) |
| 3 | SUPPORTING TAPE | FLAME RESISTING POLYESTER OR EQUAL |

NOTES

1. NO BURR AT EACH PORTION.
2. NO PEELING IN COMMON USE.
3. EITHER KIND1 OR KIND2 OF FFC CAN ACCEPT DIMENSIONAL TOLERANCE a,b,c AND d.

| | | | | | | | |
|-------------|----------------|-----|----------|---------------------------------------|----------------------------|----------------|---|
| mat'l. code | | | | surface ISO 1302 ✓ | tolerance ISO 406 ISO 1101 | projection | product family 58EF |
| ltr | ecn no | dr | date | tolerances unless otherwise specified | | scale \times | title RECOMMENDED CABLE (Cat. No. : SFV__R-1/2ST__) |
| A | J06-0499 | H.T | 11/27/06 | angles | linear | | |
| | | | | dr | <i>[Signature]</i> | | sheet 1 of 1 size |
| | | | | enr | <i>[Signature]</i> | | sheet 1 of 1 size |
| | | | | chr | <i>[Signature]</i> | | JSA 97202 |
| | | | | appd | <i>[Signature]</i> | | A4 |
| | | | | type Product Customer Drawing | | | |
| sheet index | revision sheet | A | 1 | | | | Rev. A |

form: A4

1

2



FCJconnect.com

Copyright FCJ