

Copyright FCJ.



FCIconnect.com

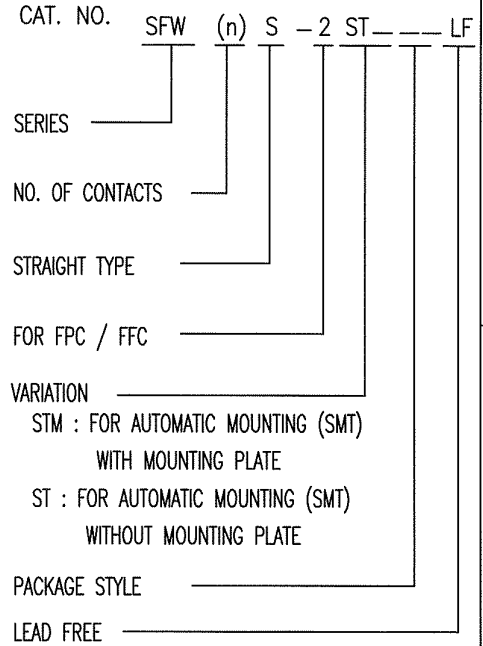
Configuration of Documents

| P/N | Documents | No. | Title | CAT.No. | |
|------------------|------------------------------|------------------------------|--|--|--------------|
| SFW_S-25T(M)E1 | Specification Connector dwg. | SC-SFWS01 | CAT.NO.TABLE FOR 1mm SPACING SMT CONNECTOR | SFW_S-25T | |
| | | JSA93342 | 1mm SPACING SURFACE MOUNT FPC/FCC CONNECTOR | SFW_S-25T | |
| | | JSA93579 | 1mm SPACING SURFACE MOUNT FPC/FCC CONNECTOR | SFW_S-25TM | |
| | | JSA93836 | CAT. NO. TABLE FOR PLASTIC TAPE PACKAGED 1mm SPACING SMT CONN. RECOMMENDED CABLE | SFW_S-25T_E1 | |
| | Cable dwg. | JSA93343 | | SFW_S-25T_E1 | |
| | Manual | JSA93338 | | SFW_S-25T | |
| | | JSA93340 | | SFW_S-25T | |
| | | JSA93341 | | SFW_S-25T | |
| | | BJM-SFWS101 | | | |
| | | Specification Connector dwg. | SC-SFWS02 | CAT.NO.TABLE FOR 1mm SPACING SMT CONNECTOR | SFW_S-65T |
| SFW_S-65T(M)E1 | | JSA93900 | 1mm SPACING SURFACE MOUNT CIC CONNECTOR | SFW_S-65T | |
| | | JSA93905 | 1mm SPACING SURFACE MOUNT CIC CONNECTOR | SFW_S-65TM | |
| | | JSA93901 | CAT. NO. TABLE FOR PLASTIC TAPE PACKAGED 1mm SPACING SMT CONN. RECOMMENDED CABLE | SFW_S-65T_E1 | |
| | | JSA93902 | | SFW_S-65T_E1 | |
| | Cable dwg. | JSA93903 | | SFW_S-65T | |
| | Manual | JSA93904 | | SFW_S-65T | |
| | | BJM-SFWS102 | | | |
| | | Specification Connector dwg. | SC-SFWS03 | CAT.NO.TABLE FOR 1mm SPACING SMT CONNECTOR | SFW_S-25T_LF |
| | | JSA96516 | 1mm SPACING SURFACE MOUNT FPC/FCC CONNECTOR | SFW_S-25T_LF | |
| | | JSA96517 | 1mm SPACING SURFACE MOUNT FPC/FCC CONNECTOR | SFW_S-25TM_LF | |
| SFW_S-25T(M)E1LF | | JSA96518 | CAT. NO. TABLE FOR PLASTIC TAPE PACKAGED 1mm SPACING SMT CONN. RECOMMENDED CABLE | SFW_S-25T_L1LF | |
| | | JSA96519 | | SFW_S-25T_L1LF | |
| | Cable dwg. | JSA96520 | | SFW_S-25T_L1LF | |
| | Manual | JSA93340 | | SFW_S-25T_LF | |
| | | JSA93341 | | SFW_S-25T_LF | |
| | | BJM-SFWS101 | | | |
| | | Specification Connector dwg. | SC-SFWS04 | CAT. NO. TABLE FOR 1mm SPACING SMT CONNECTOR | SFW_S-65T_LF |
| | | JSA96521 | 1mm SPACING SURFACE MOUNT CIC CONNECTOR | SFW_S-65T_LF | |
| | | JSA96522 | 1mm SPACING SURFACE MOUNT CIC CONNECTOR | SFW_S-65TM_LF | |
| | | JSA96523 | CAT. NO. TABLE FOR PLASTIC TAPE PACKAGED 1mm SPACING SMT CONN. RECOMMENDED CABLE | SFW_S-65T_L1LF | |
| SFW_S-65T(M)E1LF | | JSA96524 | | SFW_S-65T_L1LF | |
| | Cable dwg. | JSA96525 | | SFW_S-65T_L1LF | |
| | Manual | JSA93904 | | SFW_S-65T_LF | |
| | | BJM-SFWS102 | | | |

| | | | | | | | | | | | |
|-------------|----------------|--------------------------|-----------|---------------------------------------|------------------|----------------|-------------------------------|---|--|--------------|-------|
| mat'l. code | | surface 58 ISO 1302 ✓ | | tolerance ISO 406 ISO 1101 | | projection | | product family 58SF | | CODE JP | |
| ltr | ecn no | dr | date | tolerances unless otherwise specified | | mm | | title SFW_S Documents Configuration (1mm Spacing connector) | | | |
| A | J05-0334 | H.T | 6/3/'05 | angles | linear | scale X | | dwg no | | sheet 1 of 1 | size |
| B | J05-0377 | H.T | 6/22/'05 | | | | | JSA96060 | | A4 | |
| C | J06-0430 | H.T | 10/19/'06 | dr | <i>H. Shoyji</i> | 10/19/06 | type Product Customer Drawing | | | | |
| | | | | enr | <i>H. Shoyji</i> | 10/19/06 | | | | | |
| | | | | chr | <i>R. Shoyji</i> | 10/19/06 | | | | | |
| | | | | appd | <i>S. Ueda</i> | 10/20/06 | | | | | |
| sheet index | revision sheet | C | 1 | | | | | | | | Rev C |

CAT. NO. & DIMENSIONS

| NOTE3 | NO. OF CONTACTS (n) | CAT. NO. | DIMENSIONS (NOTE2) | | |
|-------|---------------------|----------------|--------------------|--------|--------|
| | | | A ±0.2 | B ±0.2 | C ±0.2 |
| | 4 | SFW4S-2ST__LF | 10.4 | 5.24 | 3 |
| | 5 | SFW5S-2ST__LF | 11.4 | 6.24 | 4 |
| | 6 | SFW6S-2ST__LF | 12.4 | 7.24 | 5 |
| * | 7 | SFW7S-2ST__LF | 13.4 | 8.24 | 6 |
| | 8 | SFW8S-2ST__LF | 14.4 | 9.24 | 7 |
| * | 9 | SFW9S-2ST__LF | 15.4 | 10.24 | 8 |
| | 10 | SFW10S-2ST__LF | 16.4 | 11.24 | 9 |
| | 11 | SFW11S-2ST__LF | 17.4 | 12.24 | 10 |
| * | 12 | SFW12S-2ST__LF | 18.4 | 13.24 | 11 |
| | 13 | SFW13S-2ST__LF | 19.4 | 14.24 | 12 |
| | 14 | SFW14S-2ST__LF | 20.4 | 15.24 | 13 |
| | 15 | SFW15S-2ST__LF | 21.4 | 16.24 | 14 |
| | 16 | SFW16S-2ST__LF | 22.4 | 17.24 | 15 |
| | 17 | SFW17S-2ST__LF | 23.4 | 18.24 | 16 |
| * | 18 | SFW18S-2ST__LF | 24.4 | 19.24 | 17 |
| * | 19 | SFW19S-2ST__LF | 25.4 | 20.24 | 18 |
| | 20 | SFW20S-2ST__LF | 26.4 | 21.24 | 19 |
| * | 21 | SFW21S-2ST__LF | 27.4 | 22.24 | 20 |
| | 22 | SFW22S-2ST__LF | 28.4 | 23.24 | 21 |
| | 23 | SFW23S-2ST__LF | 29.4 | 24.24 | 22 |
| | 24 | SFW24S-2ST__LF | 30.4 | 25.24 | 23 |
| * | 25 | SFW25S-2ST__LF | 31.4 | 26.24 | 24 |
| | 26 | SFW26S-2ST__LF | 32.4 | 27.24 | 25 |
| * | 27 | SFW27S-2ST__LF | 33.4 | 28.24 | 26 |
| | 28 | SFW28S-2ST__LF | 34.4 | 29.24 | 27 |
| | 29 | SFW29S-2ST__LF | 35.4 | 30.24 | 28 |
| | 30 | SFW30S-2ST__LF | 36.4 | 31.24 | 29 |
| * | 31 | SFW31S-2ST__LF | 37.4 | 32.24 | 30 |
| * | 32 | SFW32S-2ST__LF | 38.4 | 33.24 | 31 |



NOTES

1. THIS PRODUCT IS THE CONNECTOR, DESIGNED TO TERMINATE FPC/FFC AND COPES WITH AUTOMATIC MOUNTING (SMT).
2. SEE PART DRAWINGS FOR DIMENSIONS A.B.C.
3. PLEASE CONSULT US IN CASE OF USING PARTS WITH * MARK

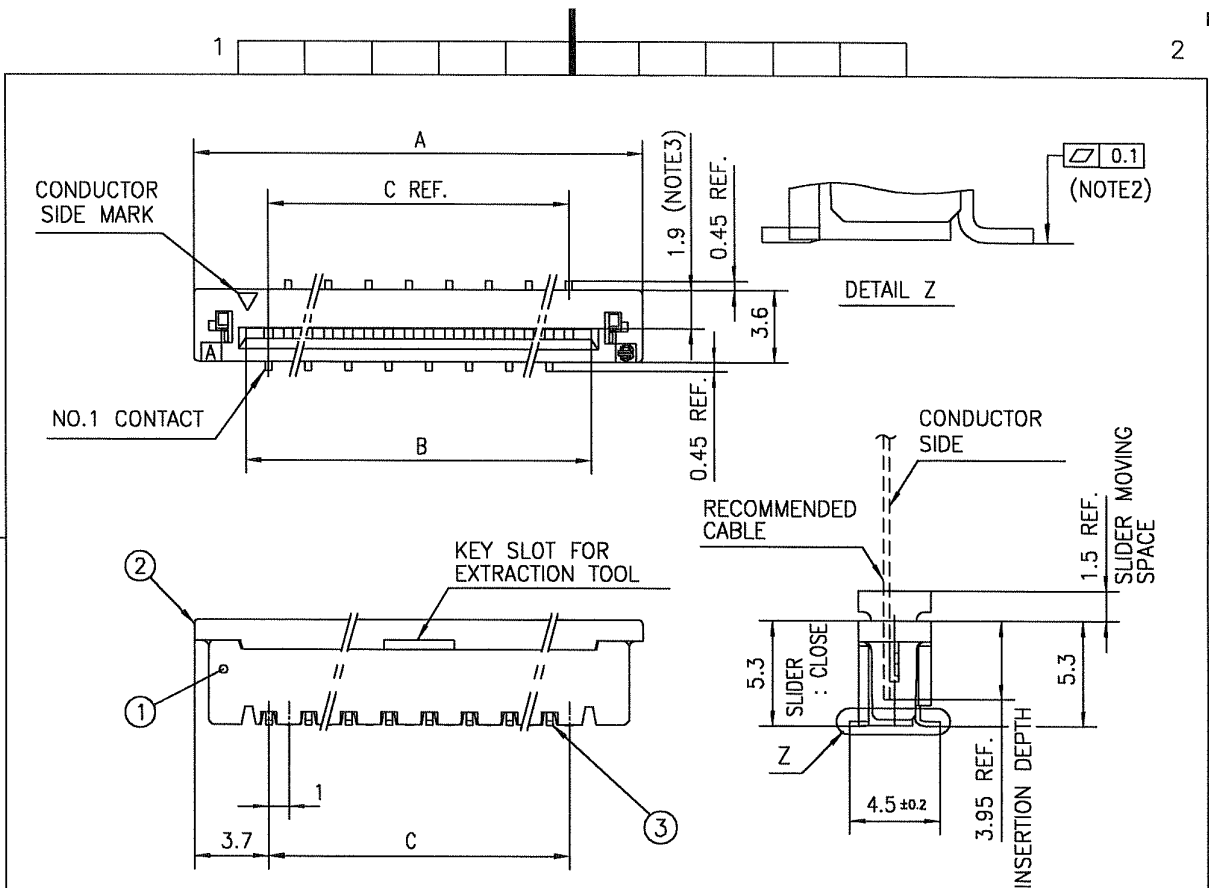
| | | | | | | | | | | | |
|---------------------------|--|------------|--|--|--|------------|--|--|--|---------|--|
| mat'l. code | | | | surface 58 / tolerance ISO 1302 ✓ ISO 406 ISO 1101 | | projection | | product family 58SF | | CODE JP | |
| ltr ecn no dr date | | | | tolerances unless otherwise specified | | | | title | | | |
| A J05-0377 H.T 2005-6-22 | | | | angles linear | | mm | | CAT. NO. TABLE FOR 1mm SPACING SMT CONNECTOR (CAT.No.SFW__S-2ST__LF) | | | |
| B J05-0547 H.T 2005-8-30 | | | | | | scale X | | dwg no sheet 1 of 1 size | | | |
| C J06-0430 H.T 2006-10-19 | | | | | | | | JSA 96516 A4 | | | |
| D J07-0407 H.T 2007-8-9 | | | | dr <i>K. Sathya</i> 2007-8-9 | | | | type Product Customer Drawing | | | |
| | | | | enr <i>H. Jagan</i> 2007-8-9 | | | | | | | |
| | | | | chr <i>R. Shree</i> 2007-8-19 | | | | | | | |
| | | | | app <i>P. Radwan</i> 2007-8-19 | | | | | | | |
| sheet index | | revision D | | | | | | | | Rev D | |
| sheet 1 | | | | | | | | | | | |

SC-SFWS 03 JSA96517 96518 96519 96520 93340 93341 form: A4



FCIconnect.com

Copyright FCI.



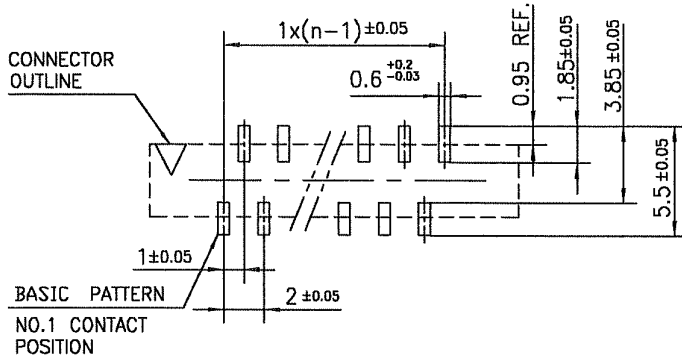
| PT. NO. | PARTS NAME | MATERIAL | Q'TY | NOTE |
|---------|------------|-----------------------------------|------|--|
| 1 | HOUSING | GLASS FILLED THERMOPLASTIC RATED. | 1 | COLOR : BROWN |
| 2 | SLIDER | (UL94V-0) | 1 | COLOR : BLACK |
| 3 | CONTACT | PHOSPHOR BRONZE | n | PLATING : TIN Ni UNDER PLATED(LEAD FREE) |

n : NO. OF CONTACTS

NOTES

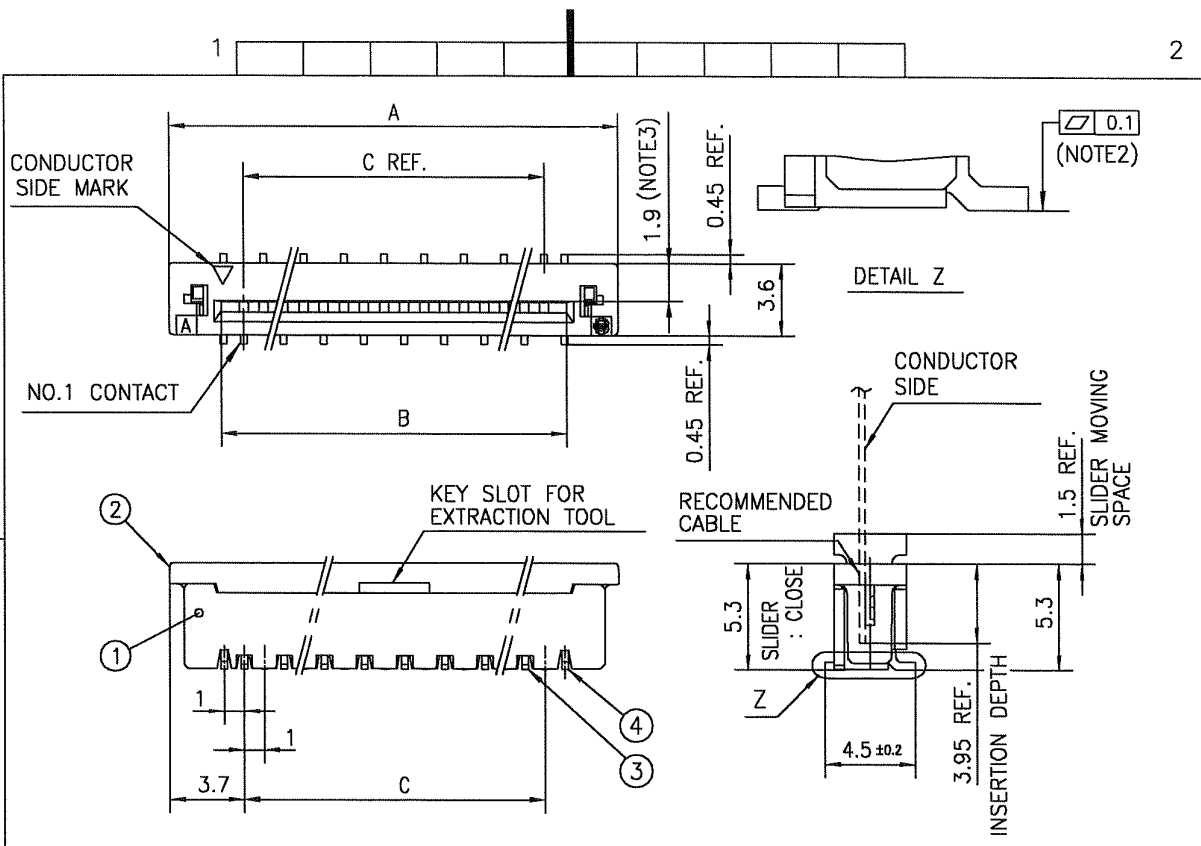
1. THIS PRODUCT IS THE CONNECTOR DESIGNED TO TERMINATE FPC/FFC AND COPES WITH AUTOMATIC MOUNTING (SMT).
2. FLATNESS OF CONTACT TERMINAL MUST BE WITHIN TOLERANCE IN Z PORTION DETAILED DRAWING.
3. THIS DIMENSION IS SPACE FOR THE NOZZLE OF MOUNTER.
4. THIS PRODUCT MEETS EUROPEAN UNION DIRECTIVES AND OTHER COUNTRY REGULATIONS AS DESCRIBED IN GS-22-008
5. THE HOUSING WILL WITHSTAND EXPOSURE TO 260°C PEAK TEMPERATURE FOR 10 SECONDS IN A REFLOW SOLDERING OVEN.

RECOMMENDED PC BOARD LAYOUT (COMPONENT SIDE)



| | | | | | | | | | |
|-------------|----------------|-----|----------|---------------------------------------|----------------------------------|------------|---|------|------------|
| mat'l. code | | | | surface 58 ISO 1302 | tolerance ISO 406 ISO 1101 | projection | product family | 58SF | CODE JP |
| ltr | ecn no | dr | date | tolerances unless otherwise specified | | mm | title | | |
| A | J05-0377 | H.T | 6/22/05 | angles | linear | | 1mm SPACING SURFACE MOUNT FPC/FFC CONNECTOR (CAT.No.SFW__S-2ST__LF) | | |
| B | J05-0731 | H.T | 10/28/05 | | | | scale X | | |
| C | J06-0430 | H.T | 10/19/06 | | | | sheet 1 of 1 size | | |
| | | | | dr | 10/19/06 | FCJ | JSA 96517 | | |
| | | | | enr | 10/19/06 | | sheet A4 | | |
| | | | | chr | 10/19/06 | | type Product Customer Drawing | | |
| | | | | appd | 10/20/06 | | Rev c | | |
| sheet index | revision sheet | C | 1 | | | | | | |

SC-SFWS 03 JSA96516 form: A4



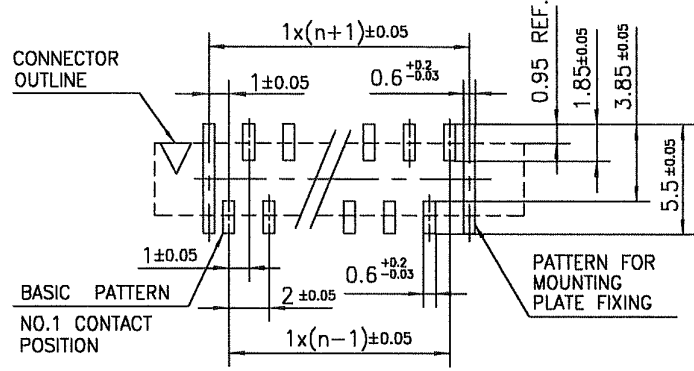
| PT. NO. | PARTS NAME | MATERIAL | Q'TY | NOTE |
|---------|----------------|---|------|--|
| 1 | HOUSING | GLASS FILLED THERMOPLASTIC RATED. (UL94V-0) | 1 | COLOR : BROWN |
| 2 | SLIDER | | 1 | COLOR : BLACK |
| 3 | CONTACT | PHOSPHOR BRONZE | n | PLATING : TIN Ni UNDER PLATED(LEAD FREE) |
| 4 | MOUNTING PLATE | BRASS | 2 | |

n : NO. OF CONTACTS

NOTES

1. THIS PRODUCT IS THE CONNECTOR DESIGNED TO TERMINATE FPC/FFC AND COPE WITH AUTOMATIC MOUNTING (SMT).
2. FLATNESS OF CONTACT TERMINAL AND MOUNTING PLATE MUST BE WITHIN TOLERANCE IN Z PORTION DETAILED DRAWING.
3. THIS DIMENSION IS SPACE FOR THE NOZZLE OF MOUNTER.
4. THIS PRODUCT MEETS EUROPEAN UNION DIRECTIVES AND OTHER COUNTRY REGULATIONS AS DESCRIBED IN GS-22-008
5. THE HOUSING WILL WITHSTAND EXPOSURE TO 260°C PEAK TEMPERATURE FOR 10 SECONDS IN A REFLOW SOLDERING OVEN.

RECOMMENDED PC BOARD LAYOUT (COMPONENT SIDE)

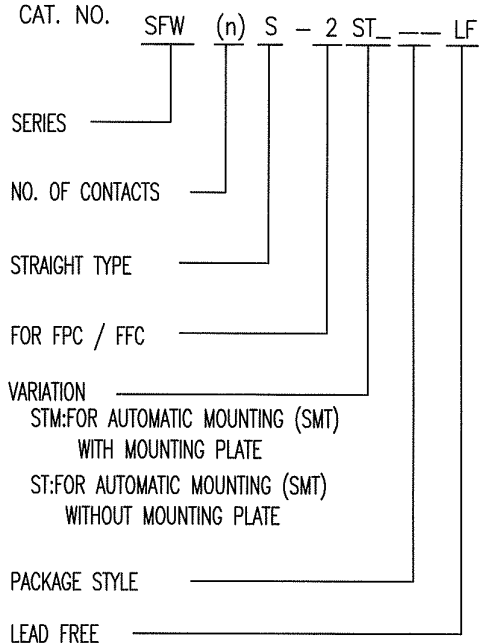


| | | | | | | | | | | | | |
|-------------|----------|-----|------------------------|---------------------------------------|----------------------------------|----------|------------|---|------------------------|----------|------------|-----|
| mat'l. code | | | surface 58 ISO 1302 | | tolerance ISO 406 ISO 1101 | | projection | | product family 58SF | | CODE JP | |
| ltr | ecn no | dr | date | tolerances unless otherwise specified | | mm | | title 1mm SPACING SURFACE MOUNT FPC/FFC CONNECTOR (CAT.No.SFW__S-2STM__LF) | | | | |
| A | J05-0377 | H.T | 6/22/05 | angles | linear | mm | | dwg no | | | | |
| B | J05-0731 | H.T | 10/28/05 | | | mm | | sheet 1 of 1 size | | | | |
| C | J06-0430 | H.T | 10/19/06 | | | scale X | | JSA 96518 A4 | | | | |
| sheet index | | | revision | dr | | engr | | chr | | appd | | Rev |
| sheet | | | C | 10/19/06 | | 10/19/06 | | 10/19/06 | | 10/20/06 | | c |
| sheet | | | 1 | | | | | | | | | |

SC-SFWS 03 JSA96516 form: A4

CAT. NO. & DIMENSIONS

| (NOTE4) | NO. OF CONTACTS (n) | CAT. NO. (NOTE2) | DIMENSIONS (NOTE3) | | |
|---------|---------------------|------------------|--------------------|---------|---------|
| | | | D ± 5 | E ± 0.3 | F ± 0.1 |
| | 4 | SFW4S-2ST_E1LF | 28.4 | 24 | — |
| | 5 | SFW5S-2ST_E1LF | 28.4 | 24 | — |
| | 6 | SFW6S-2ST_E1LF | 28.4 | 24 | — |
| * | 7 | SFW7S-2ST_E1LF | 28.4 | 24 | — |
| | 8 | SFW8S-2ST_E1LF | 28.4 | 24 | — |
| * | 9 | SFW9S-2ST_E1LF | 28.4 | 24 | — |
| | 10 | SFW10S-2ST_E1LF | 28.4 | 24 | — |
| | 11 | SFW11S-2ST_E1LF | 28.4 | 24 | — |
| * | 12 | SFW12S-2ST_E1LF | 36.4 | 32 | 28.4 |
| | 13 | SFW13S-2ST_E1LF | 36.4 | 32 | 28.4 |
| | 14 | SFW14S-2ST_E1LF | 36.4 | 32 | 28.4 |
| | 15 | SFW15S-2ST_E1LF | 36.4 | 32 | 28.4 |
| | 16 | SFW16S-2ST_E1LF | 48.4 | 44 | 40.4 |
| | 17 | SFW17S-2ST_E1LF | 48.4 | 44 | 40.4 |
| * | 18 | SFW18S-2ST_E1LF | 48.4 | 44 | 40.4 |
| * | 19 | SFW19S-2ST_E1LF | 48.4 | 44 | 40.4 |
| | 20 | SFW20S-2ST_E1LF | 48.4 | 44 | 40.4 |
| * | 21 | SFW21S-2ST_E1LF | 48.4 | 44 | 40.4 |
| | 22 | SFW22S-2ST_E1LF | 48.4 | 44 | 40.4 |
| | 23 | SFW23S-2ST_E1LF | 48.4 | 44 | 40.4 |
| | 24 | SFW24S-2ST_E1LF | 48.4 | 44 | 40.4 |
| * | 25 | SFW25S-2ST_E1LF | 48.4 | 44 | 40.4 |
| | 26 | SFW26S-2ST_E1LF | 48.4 | 44 | 40.4 |
| * | 27 | SFW27S-2ST_E1LF | 60.4 | 56 | 52.4 |
| | 28 | SFW28S-2ST_E1LF | 60.4 | 56 | 52.4 |
| | 29 | SFW29S-2ST_E1LF | 60.4 | 56 | 52.4 |
| | 30 | SFW30S-2ST_E1LF | 60.4 | 56 | 52.4 |
| * | 31 | SFW31S-2ST_E1LF | 60.4 | 56 | 52.4 |
| * | 32 | SFW32S-2ST_E1LF | 60.4 | 56 | 52.4 |



NOTES

1. THIS PRODUCT IS THE CONNECTOR DESIGNED TO TERMINATE FPC/FFC AND COPES WITH AUTOMATIC MOUNTING (SMT).
2. THIS CATALOG NO. INDICATES PLASTIC TAPE PACKAGED CONNECTOR.
3. SEE PART DRAWINGS FOR DIMENSIONS D~F.
4. PLEASE CONSULT US IN CASE OF USING PARTS WITH * MARK.

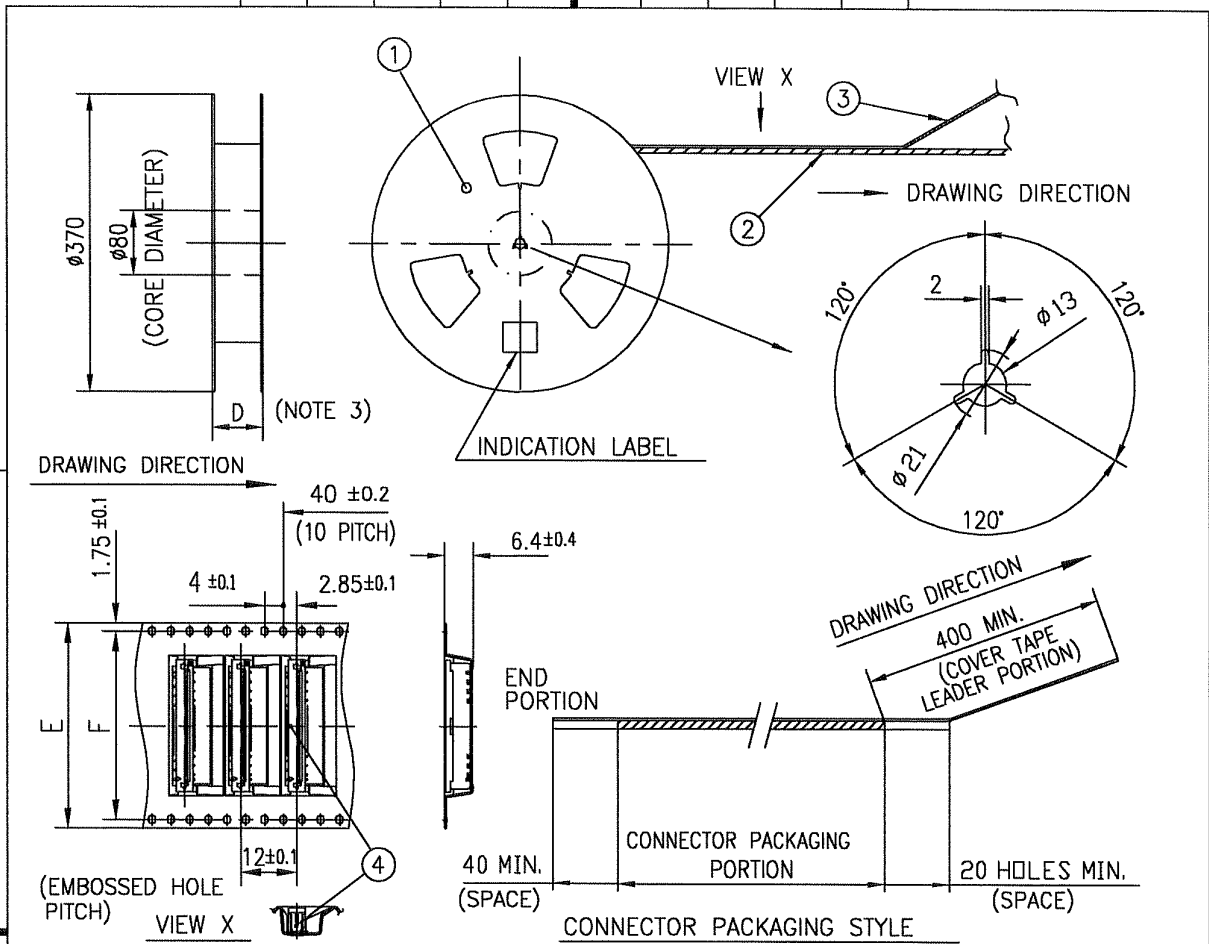


FCIconnect.com

Copyright FCI.

| | | | | | | | | | | | |
|---------------------------|--|----------------|--|--|--|------------|--|--|--|---------|--|
| mat'l. code | | | | surface 58 / tolerance ISO 1302 ✓ / ISO 406 / ISO 1101 | | projection | | product family 58SF | | CODE JP | |
| litr ecn no dr date | | | | tolerances unless otherwise specified | | mm | | title | | | |
| A J05-0377 H.T 2005-6-22 | | | | angles linear | | mm | | CAT NO. TABLE FOR PLASTIC TAPE PACKAGED 1mm SPACING SMT CONN. (CAT.No.SFW__S-2ST_E1LF) | | | |
| B J05-0547 H.T 2005-8-30 | | | | | | scale X | | dwg no sheet 1 of 1 size | | | |
| C J06-0430 H.T 2006-10-19 | | | | | | FCI | | JSA 96519 A4 | | | |
| D J07-0407 H.T 2007-8-9 | | | | dr engr chr appd | | | | type Product Customer Drawing | | | |
| sheet index | | revision sheet | | D | | | | | | Rev D | |

SC-SFWS 03 JSA96516 96520 form: A4



| PT. NO. | PARTS NAME | CAT. NO. | MATERIAL | Q'TY | NOTE |
|---------|-------------------------|----------------|-------------------|-------|--------------------|
| 1 | REEL | _____ | CARDBOARD | 1 | COLOR:GRAY |
| 2 | PLASTIC (EMBOSSED) TAPE | _____ | PET | _____ | COLOR:TRANSPARENCY |
| 3 | COVER | _____ | POLYESTER | _____ | COLOR:TRANSPARENCY |
| 4 | CONNECTOR | SFW__S-2ST__LF | SEE ATTACHED DWG. | 1000 | _____ |

NOTES

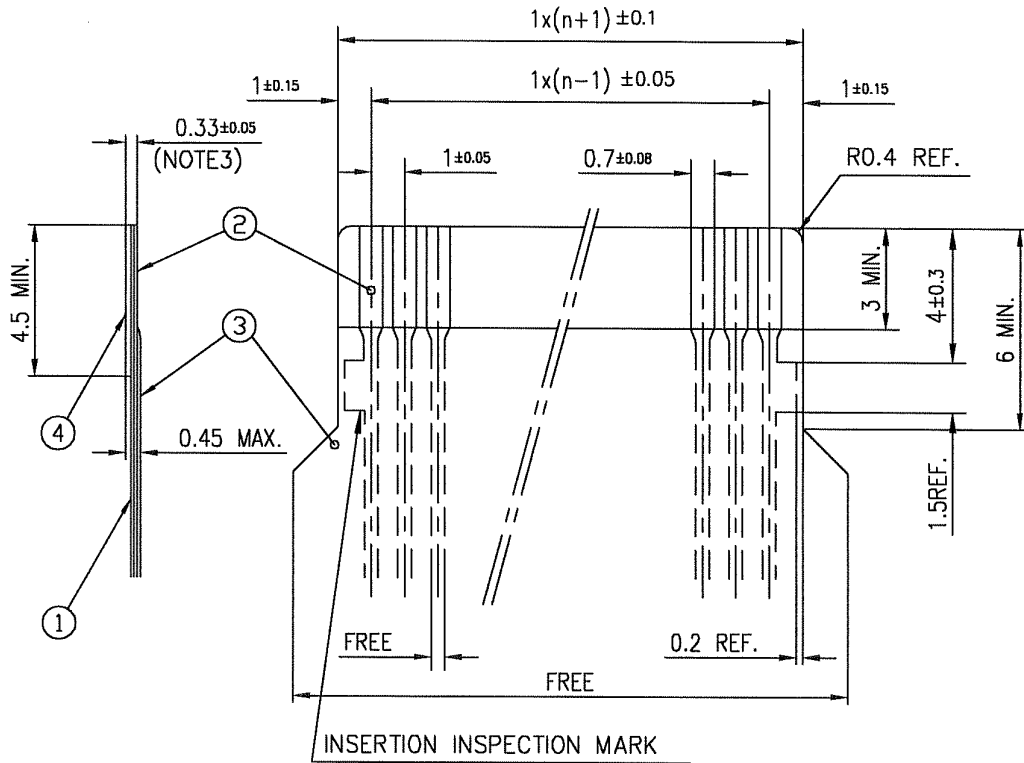
1. THIS IS PLASTIC TAPE PACKAGED CONNECTOR USED FOR FPC/FFC AND COPES WITH AUTOMATIC MOUNTING (SMT).
2. SEE JIS C 0806 (PACKING OF ELECTRONIC COMPONENTS ON CONTINUOUS TAPES (SURFACE MOUNTING DEVICES)) FOR SHAPE AND DIMENSIONS OF PLASTIC (EMBOSSED) TAPE AND REEL.
3. F DIMENSION IS PORTION OF THE CORE.

| | | | | | | | | | | | |
|-------------|----------|------------------------|----------|---------------------------------------|----------|------------|--|--|--|------------|--------|
| mat'l. code | | surface 58 ISO 1302 | | tolerance ISO 406 ISO 1101 | | projection | | product family 58SF | | CODE JP | |
| ltr | ecn no | dr | date | tolerances unless otherwise specified | | mm | | title PLASTIC TAPE PACKAGED 1mm SPACING SMT CONNECTOR (CATA.No.SFW__S-2ST_E1LF) | | | |
| A | J05-0377 | H.T | 6/22/05 | angles | linear | mm | | dwg no sheet 1 of 1 size JSA 96520 A4 type Product Customer Drawing | | | |
| B | J06-0430 | H.T | 10/19/06 | ±5° | | scale X | | | | | |
| | | | | dr | 10/19/06 | | | | | | |
| | | | | enr | 10/19/06 | | | | | | |
| | | | | chr | 10/19/06 | | | | | | |
| | | | | appd | 10/20/06 | | | | | | |
| sheet index | revision | B | | | | | | | | | Rev. B |
| | sheet | 1 | | | | | | | | | |

SC-SFWS 03 JSA96519
form: A4

RECOMMENDED CABLE (FPC)

n : NO. OF CONDUCTORS



| PT. NO. | DESCRIPTION | MATERIAL | THICKNESS (μm) |
|---------|-----------------|---|-----------------------------|
| 1 | BASE FILM | POLYIMIDE OR POLYESTER OR EQUIVALENT | 25 |
| 2 | CONDUCTOR | COPPER FOIL(PLATING : SOLDER $1\mu\text{m}$ MIN.) | 35 |
| 3 | OVERLAY | POLYIMIDE OR POLYESTER OR EQUIVALENT | — |
| 4 | SUPPORTING TAPE | POLYESTER OR POLYIMIDE OR EQUIVALENT | 188 |

NOTES

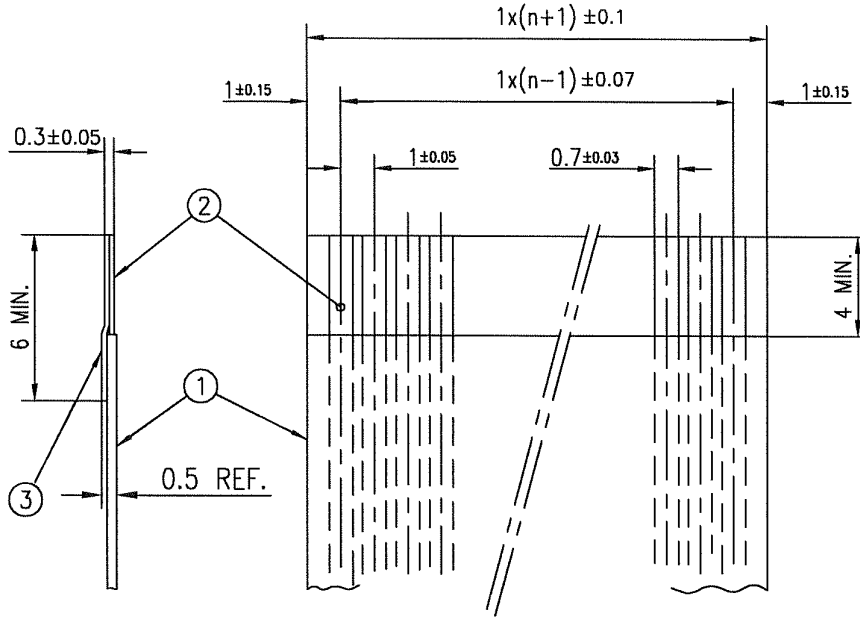
1. NO BURR AT EACH PORTION.
2. NO PEELING IN COMMON USE.
3. TOTAL THICKNESS LIMIT OF EACH MATERIAL (INCLUDING ADHESIVE AGENT) IS SPECIFIED.

| | | | | | | | | | | | | |
|-------------|----------|----------------|-------------|--|----------|------------|----------------|-----------------------|-----------|---------|--------------------------|---------|
| mat'l. code | | | | surface 58 / tolerance ISO 1302 <input checked="" type="checkbox"/> ISO 406 ISO 1101 | | projection | | product family 58SF | | CODE JP | | |
| ltr | ecn no | dr | date | tolerances unless otherwise specified | | mm | | title | | | | |
| AA | J04-0333 | H.T | Oct.13, '04 | angles | | mm | | RECOMMENDED CABLE | | | | |
| AB | J06-0430 | H.T | 10/19/06 | linear | | mm | | (CAT.No.SFW__S-2ST__) | | | | |
| | | | | dr | 10/19/06 | | scale \times | | dwg no | | sheet 1 of 1 | size |
| | | | | enr | 10/19/06 | | | | JSA 93340 | | A4 | |
| | | | | chr | 10/19/06 | | | | type | | Product Customer Drawing | |
| | | | | appd | 10/20/06 | | | | | | | |
| sheet index | | revision sheet | AB | 1 | | | | | | | | Rev. AB |

form: A4

RECOMMENDED CABLE (FFC)

n : NO. OF CONDUCTORS



| PT. NO. | DESCRIPTION | MATERIAL | NOTE |
|---------|-----------------|---|------------------------------------|
| 1 | INSULATOR | FLAME RESISTING POLYESTER OR EQUIVALENT | _____ |
| 2 | CONDUCTOR | COPPER FOIL | PLATING: TIN OR SOLDER 1μm MIN. |
| 3 | SUPPORTING TAPE | FLAME RESISTING POLYESTER OR EQUIVALENT | _____ |

NOTES

1. NO BURR AT EACH PORTION.
2. NO PEELING IN COMMON USE.

| | | | | | | | | |
|-------------|----------------|-----|-----------|---------------------------------------|-------------------|------------|-------------------------------|---------|
| mat'l. code | | | | surface 5B | tolerance ISO 406 | projection | product family 58SF | CODE JP |
| ISO 1302 | | | | tolerances unless otherwise specified | ISO 1101 | | title | |
| ltr | ecn no | dr | date | angles | linear | mm | RECOMMENDED CABLE | |
| AA | J04-0333 | H.T | 0ct.13/04 | | | scale X | (CAT.No.SFW__S-2ST__) | |
| AB | J06-0430 | H.T | 10/19/06 | | | | dwg no sheet 1 of 1 size | |
| | | | | dr | 10/19/06 | | JSA 93341 A4 | |
| | | | | enr | 10/19/06 | | type Product Customer Drawing | |
| | | | | chr | 10/19/06 | | | |
| | | | | appd | 10/20/06 | | | |
| sheet index | revision sheet | AB | 1 | | | | | Rev. AB |

form: A4