



FCIconnect.com

Copyright FCI.

List of "SFV__R-1/2STBE5LF" customer document

DOCUMENT NO.	LIST
SC-SFV06	SPEC.
JSA96013	CAT.NO.TABLE FOR 0.5mm CONTACT SPACING CONNECTOR (SFV__R-1/2STB_LF)
JSA96014	CONNECTOR USED FOR FPC/FFC WITH 0.5mm CONTACT SPACING (SFV__R-1STB_LF)
JSA96015	CONNECTOR USED FOR FPC/FFC WITH 0.5mm CONTACT SPACING (SFV__R-2STB_LF)
JSA97460	CAT.NO.TABLE FOR PLASTIC TAPE PACKAGED 0.5mm CONTACT SPACING CONNECTOR (SFV__R-1/2STBE5LF)
JSA97461	PLASTIC TAPE PACKAGED 0.5mm CONTACT SPACING CONNECTOR (SFV__R-1STBE5LF)
JSA97462	PLASTIC TAPE PACKAGED 0.5mm CONTACT SPACING CONNECTOR (SFV__R-2STBE5LF)
JSA96019	RECOMMENDED CABLE (FPC) (SFV__R-1/2ST__LF)
JSA97202	RECOMMENDED CABLE (FFC) (SFV__R-1/2ST__)
BUM-SFV101	HANDLING PROCEDURES

mat'l. code		surface ISO 1302 <input checked="" type="checkbox"/>		tolerance ISO 406 ISO 1101		projection 		product family 58EF		CODE JP	
ltr		ecn no		dr		date		title 0.5mm SPACING FPC/FFC CONNECTOR DOCUMENT LIST			
A		J08-0375		H.T		2008-9-18		(Cat. No. : SFV__R-1/2STBE5LF)			
		angles		linear		mm		scale \times		dwg no JSA 97459	
		dr		engr		chr		appd		sheet 1 of 1 size A4	
										type Product Customer Drawing	
sheet index		revision sheet		A		1				Rev. A	

form: A4

1

2

CAT. NO. & DIMENSIONS

NO. OF CONTACTS (n)	CAT. NO.	DIMENSIONS (NOTE2)			
		A ± 0.2	B ± 0.2	C ± 0.1	D ± 0.1
4	SFV4R-1/2STB__LF	7.5	5.9	1.5	2.7
5	SFV5R-1/2STB__LF	8.0	6.4	2.0	3.2
6	SFV6R-1/2STB__LF	8.5	6.9	2.5	3.7
7	SFV7R-1/2STB__LF	9.0	7.4	3.0	4.2
8	SFV8R-1/2STB__LF	9.5	7.9	3.5	4.7
9	SFV9R-1/2STB__LF	10.0	8.4	4.0	5.2
10	SFV10R-1/2STB__LF	10.5	8.9	4.5	5.7
11	SFV11R-1/2STB__LF	11.0	9.4	5.0	6.2
12	SFV12R-1/2STB__LF	11.5	9.9	5.5	6.7
13	SFV13R-1/2STB__LF	12.0	10.4	6.0	7.2
14	SFV14R-1/2STB__LF	12.5	10.9	6.5	7.7
15	SFV15R-1/2STB__LF	13.0	11.4	7.0	8.2
16	SFV16R-1/2STB__LF	13.5	11.9	7.5	8.7
17	SFV17R-1/2STB__LF	14.0	12.4	8.0	9.2
18	SFV18R-1/2STB__LF	14.5	12.9	8.5	9.7
19	SFV19R-1/2STB__LF	15.0	13.4	9.0	10.2
20	SFV20R-1/2STB__LF	15.5	13.9	9.5	10.7
21	SFV21R-1/2STB__LF	16.0	14.4	10.0	11.2
22	SFV22R-1/2STB__LF	16.5	14.9	10.5	11.7
23	SFV23R-1/2STB__LF	17.0	15.4	11.0	12.2
24	SFV24R-1/2STB__LF	17.5	15.9	11.5	12.7
25	SFV25R-1/2STB__LF	18.0	16.4	12.0	13.2
26	SFV26R-1/2STB__LF	18.5	16.9	12.5	13.7
27	SFV27R-1/2STB__LF	19.0	17.4	13.0	14.2
28	SFV28R-1/2STB__LF	19.5	17.9	13.5	14.7
29	SFV29R-1/2STB__LF	20.0	18.4	14.0	15.2
30	SFV30R-1/2STB__LF	20.5	18.9	14.5	15.7
31	SFV31R-1/2STB__LF	21.0	19.4	15.0	16.2
32	SFV32R-1/2STB__LF	21.5	19.9	15.5	16.7
33	SFV33R-1/2STB__LF	22.0	20.4	16.0	17.2
34	SFV34R-1/2STB__LF	22.5	20.9	16.5	17.7
35	SFV35R-1/2STB__LF	23.0	21.4	17.0	18.2

CAT. NO. SFV (n) R - 1 ST B -- LF

SERIES NAME

NO. OF CONTACTS

RIGHT ANGLE TYPE

FOR FPC/FFC, CONTACT DIRECTION

1. LOWER CONTACT TYPE
2. UPPER CONTACT TYPE

FOR AUTOMATIC MOUNTING (SMT)

PLATING VARIATION

PACKAGE STYLE

LEAD FREE

NOTES

- THIS PRODUCT IS THE CONNECTOR USED FOR FPC AND COPEs WITH AUTOMATIC MOUNTING (SMT).
- SEE PART DRAWINGS FOR DIMENSIONS A-D.



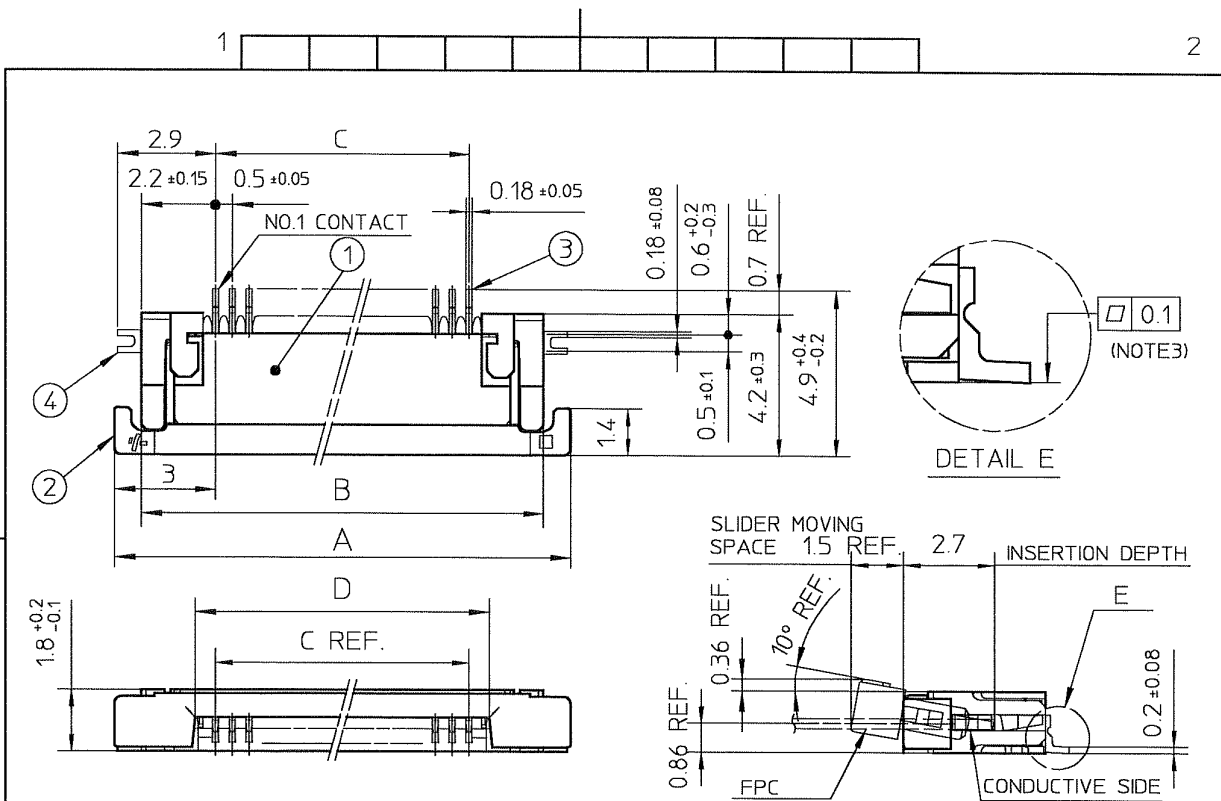
FCIconnect.com

Copyright FCI

mat'l. code				surface ISO 1302 ✓		tolerance ISO 406 ISO 1101		projection		product family 58EF					
ltr	ecn no	dr	date	tolerances unless otherwise specified						title					
A	J04-0186	H.T	'04/8/9	angles		linear		← →		CAT. NO. TABLE FOR 0.5 mm CONTACT SPACING CONNECTOR (Cat. No. : SFV__R-1/2STB__LF)					
B	J04-0454	H.T	'05/2/7							scale X		dwg no JSA 96013		sheet 1of1	size A4
C	J06-0372	H.T	'06/9/7							FCI		type Product Customer Drawing			
sheet index		revision	C											Rev. C	
		sheet	1												

SC-SFV06 JSA96014, 96015, 96016, 96017, 96018, 96019

form: A4

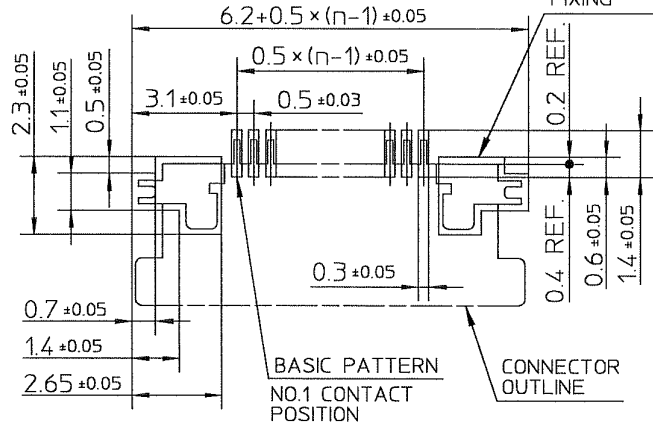


PT. NO.	PARTS NAME	MATERIAL	Q'TY	NOTE
1	HOUSING	POLYAMIDE RESIN GLASS REINFORCED (UL94V-0)	1	COLOR : BLACK
2	SLIDER	PPS RESIN GLASS REINFORCED (UL94V-0)	1	COLOR : BROWN
3	CONTACT	PHOSPHOR BRONZE	n	PLATING : GOLD
4	MOUNTING PLATE		2	PLATING : LEAD FREE

RECOMMENDED PC BOARD LAYOUT
(COMPONENT SIDE)

PATTERN FOR MOUNTING PLATE
FIXING

n : NO. OF CONTACTS



NOTES

1. THIS PRODUCT IS THE CONNECTOR USED FOR FPC AND COPES WITH AUTOMATIC MOUNTING (SMT).
2. THIS PRODUCT IS LOWER CONTACT TYPE CONNECTOR.
3. FLATNESS OF CONTACT TERMINAL AND MOUNTING PLATE MUST BE WITHIN TOLERANCE IN E PORTION DETAILED DRAWING.
4. THIS PRODUCT MEETS EUROPEAN UNION DIRECTIVES AND OTHER COUNTRY REGULATIONS AS DESCRIBED IN GS-22-008.
5. THE HOUSING WILL WITHSTAND EXPOSURE TO 260°C PEAK TEMPERATURE FOR 10 SECONDS IN A REFLOW SOLDERING OVEN.

mat'l. code				surface ISO 1302 ✓		tolerance ISO 406 ISO 1101		projection		product family 58EF	
ltr				ecn no		dr		date		title	
A				J04-0186		H.T		'04/8/9		CONNECTOR USED FOR FPC WITH 0.5 mm CONTACT SPACING (Cat No. : SFV__R-1STB__LF)	
B				J04-0454		H.T		'05/2/7		dwg no JSA 96014	
C				J05-0710		H.T		'05/10/21			
D				J06-0064		H.T		'06/2/23		sheet 1 of 1	
E				J06-0372		H.T		'06/9/7		size A4	
sheet				revision		E				type Product Customer Drawing	
index				sheet		1				Rev. E	

SC-SFV06 JSA96013
form: A4

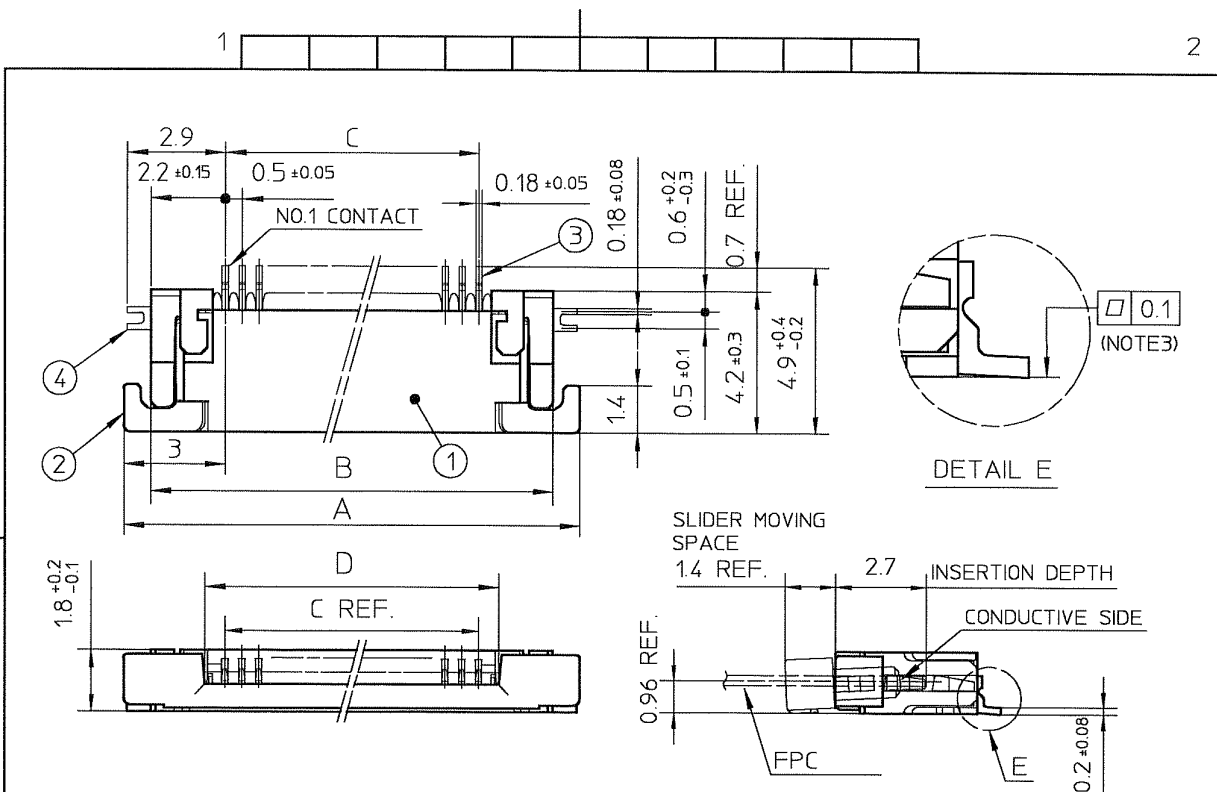
1

2



FCIconnect.com

Copyright FCI

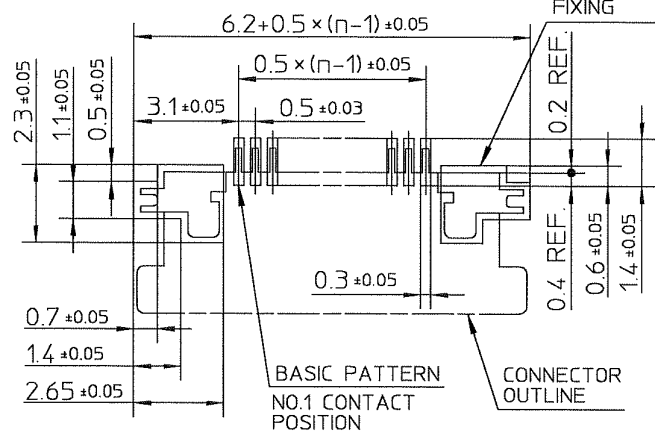


PT. NO.	PARTS NAME	MATERIAL	Q'TY	NOTE
1	HOUSING	POLYAMIDE RESIN GLASS REINFORCED (UL94V-0)	1	COLOR : BLACK
2	SLIDER	PPS RESIN GLASS REINFORCED (UL94V-0)	1	COLOR : BROWN
3	CONTACT	PHOSPHOR BRONZE	n	PLATING : GOLD
4	MOUNTING PLATE		2	PLATING : LEAD FREE

RECOMMENDED PC BOARD LAYOUT
(COMPONENT SIDE)

PATTERN FOR MOUNTING PLATE
FIXING

n : NO. OF CONTACTS



NOTES

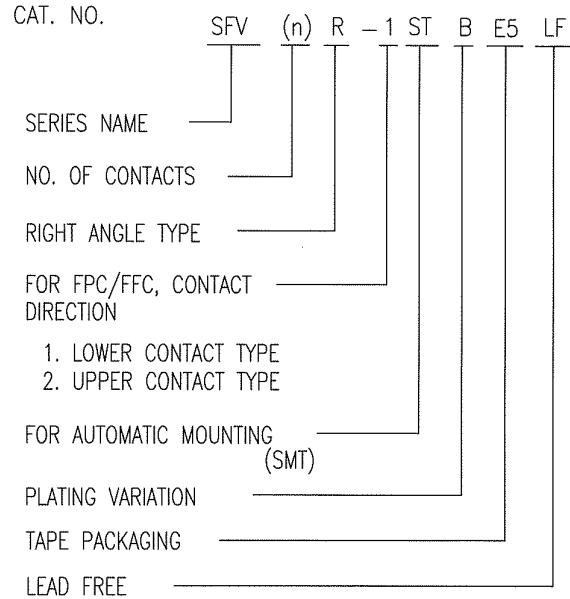
- THIS PRODUCT IS THE CONNECTOR USED FOR FPC AND COPE WITH AUTOMATIC MOUNTING (SMT).
- THIS PRODUCT IS UPPER CONTACT TYPE CONNECTOR.
- FLATNESS OF CONTACT TERMINAL AND MOUNTING PLATE MUST BE WITHIN TOLERANCE IN E PORTION DETAILED DRAWING.
- THIS PRODUCT MEETS EUROPEAN UNION DIRECTIVES AND OTHER COUNTRY REGULATIONS AS DESCRIBED IN GS-22-008.
- THE HOUSING WILL WITHSTAND EXPOSURE TO 260°C PEAK TEMPERATURE FOR 10 SECONDS IN A REFLOW SOLDERING OVEN.

mat'l. code		surface ISO 1302 ✓		tolerance ISO 406 ISO 1101		projection		product family 58EF	
ltr	ecn no	dr	date	tolerances unless otherwise specified		title		CONNECTOR USED FOR FPC WITH 0.5 mm CONTACT SPACING (Cat. No. : SFV__R-2STB__LF)	
A	J04-0186	H.T	'04/8/9	angles	linear	scale		dwg no sheet 1of1 size	
B	J04-0454	H.T	'05/2/7			FPC		JSA 96015 A4	
C	J05-0710	H.T	'05/10/21					type Product Customer Drawing	
D	J06-0064	H.T	'06/2/23	dr					
E	J06-0372	H.T	'06/9/7	enr					
				chr					
				appd					
sheet index	revision	E						Rev. E	
	sheet	1							

SC-SFV06 JSA96013 form: A4

CAT. NO. & DIMENSIONS

NO. OF CONTACTS (n)	CAT. NO.	DIMENSIONS (NOTE3)		
		F MAX.	G ± 0.3	H ± 0.1
4	SFV4R-1/2STBE5LF	22.4	16	—
5	SFV5R-1/2STBE5LF	22.4	16	—
6	SFV6R-1/2STBE5LF	22.4	16	—
7	SFV7R-1/2STBE5LF	30.4	24	—
8	SFV8R-1/2STBE5LF	30.4	24	—
9	SFV9R-1/2STBE5LF	30.4	24	—
10	SFV10R-1/2STBE5LF	30.4	24	—
11	SFV11R-1/2STBE5LF	30.4	24	—
12	SFV12R-1/2STBE5LF	30.4	24	—
13	SFV13R-1/2STBE5LF	30.4	24	—
14	SFV14R-1/2STBE5LF	30.4	24	—
15	SFV15R-1/2STBE5LF	30.4	24	—
16	SFV16R-1/2STBE5LF	30.4	24	—
17	SFV17R-1/2STBE5LF	30.4	24	—
18	SFV18R-1/2STBE5LF	30.4	24	—
19	SFV19R-1/2STBE5LF	30.4	24	—
20	SFV20R-1/2STBE5LF	30.4	24	—
21	SFV21R-1/2STBE5LF	30.4	24	—
22	SFV22R-1/2STBE5LF	30.4	24	—
23	SFV23R-1/2STBE5LF	38.4	32	28.4
24	SFV24R-1/2STBE5LF	38.4	32	28.4
25	SFV25R-1/2STBE5LF	38.4	32	28.4
26	SFV26R-1/2STBE5LF	38.4	32	28.4
27	SFV27R-1/2STBE5LF	38.4	32	28.4
28	SFV28R-1/2STBE5LF	38.4	32	28.4
29	SFV29R-1/2STBE5LF	38.4	32	28.4
30	SFV30R-1/2STBE5LF	38.4	32	28.4
31	SFV31R-1/2STBE5LF	50.4	44	40.4
32	SFV32R-1/2STBE5LF	50.4	44	40.4
33	SFV33R-1/2STBE5LF	50.4	44	40.4
34	SFV34R-1/2STBE5LF	50.4	44	40.4
35	SFV35R-1/2STBE5LF	50.4	44	40.4



NOTES

1. THIS PRODUCT IS THE CONNECTOR USED FOR FPC/FFC AND COPES WITH AUTOMATIC MOUNTING (SMT).
2. THIS CATALOG NO. INDICATES PLASTIC TAPE PACKAGED CONNECTOR.
3. SEE PART DRAWINGS FOR DIMENSIONS F~H.

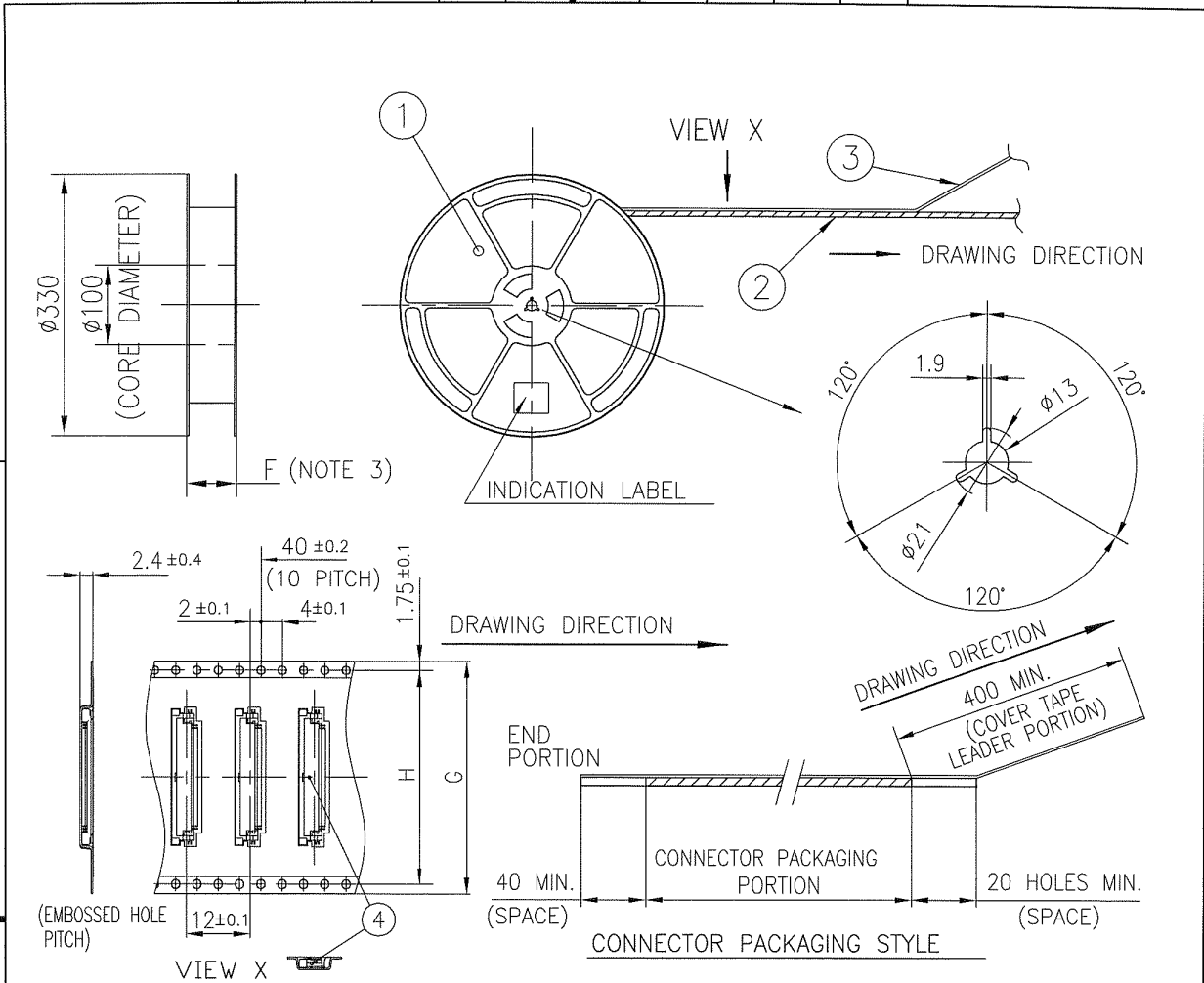


FCIconnect.com

Copyright FCI.

mat'l. code			surface ISO 1302 ✓		tolerance ISO 406 ISO 1101		projection		product family 58EF		CODE JP	
litr ecn no dr date			tolerances unless otherwise specified		mm		mm		title			
A J08-0375 H.T 2008-9-18			angles linear		mm		scale X		CAT. NO. TABLE FOR PLASTIC TAPE PACKAGED 0.5 mm CONTACT SPACING CONNECTOR (Cat. No. : SFV__R-1/2STBE5LF)			
			dr engr chr appd		2008-9-18 2008-9-18 2008-9-18 2008-9-18		FCI		dwg no JSA 97460		sheet 1 of 1 size A4	
sheet index			revision sheet		A 1				type Product Customer Drawing			

SC-SFV06 JSA96013 97461 97462 form: A4



PT. NO.	PARTS NAME	CAT. NO.	MATERIAL	Q'TY	NOTE
1	REEL	_____	POLYSTYRENE	1	COLOR : BLACK
2	PLASTIC (EMBOSS) TAPE	_____	A-PET	_____	COLOR : TRANSPARENCY
3	COVER	_____	POLYESTER	_____	COLOR : TRANSPARENCY
4	CONNECTOR	SFV__R-1STB_LF	SEE ATTACHED DWG.	2500	LOWER CONTACT TYPE

NOTES

1. THIS IS PLASTIC TAPE PACKAGED CONNECTOR USED FOR FPC/FFC AND COPES WITH AUTOMATIC MOUNTING (SMT).
2. SEE JIS C 0806 (PACKING OF ELECTRONIC COMPONENTS ON CONTINUOUS TAPES (SURFACE MOUNTING DEVICES)) FOR SHAPE AND DIMENSIONS OF PLASTIC (EMBOSS) TAPE AND REEL.
3. F DIMENSION IS PORTION OF THE CORE.

mat'l. code			surface ISO 1302 ✓		tolerance ISO 406 ISO 1101		projection		product family 58EF		CODE JP	
ltr ecn no dr date			tolerances unless otherwise specified		±5		mm		title PLASTIC TAPE PACKAGED 0.5 mm CONTACT SPACING CONNECTOR (Cat. No. : SFV__R-1STBE5LF)			
A J08-0375 H.T 2008-9-18			angles linear		±5'		scale X		dwg no sheet 1 of 1 size JSA 97461 A4			
sheet index			revision A		sheet 1		type Product Customer Drawing		Rev. A			

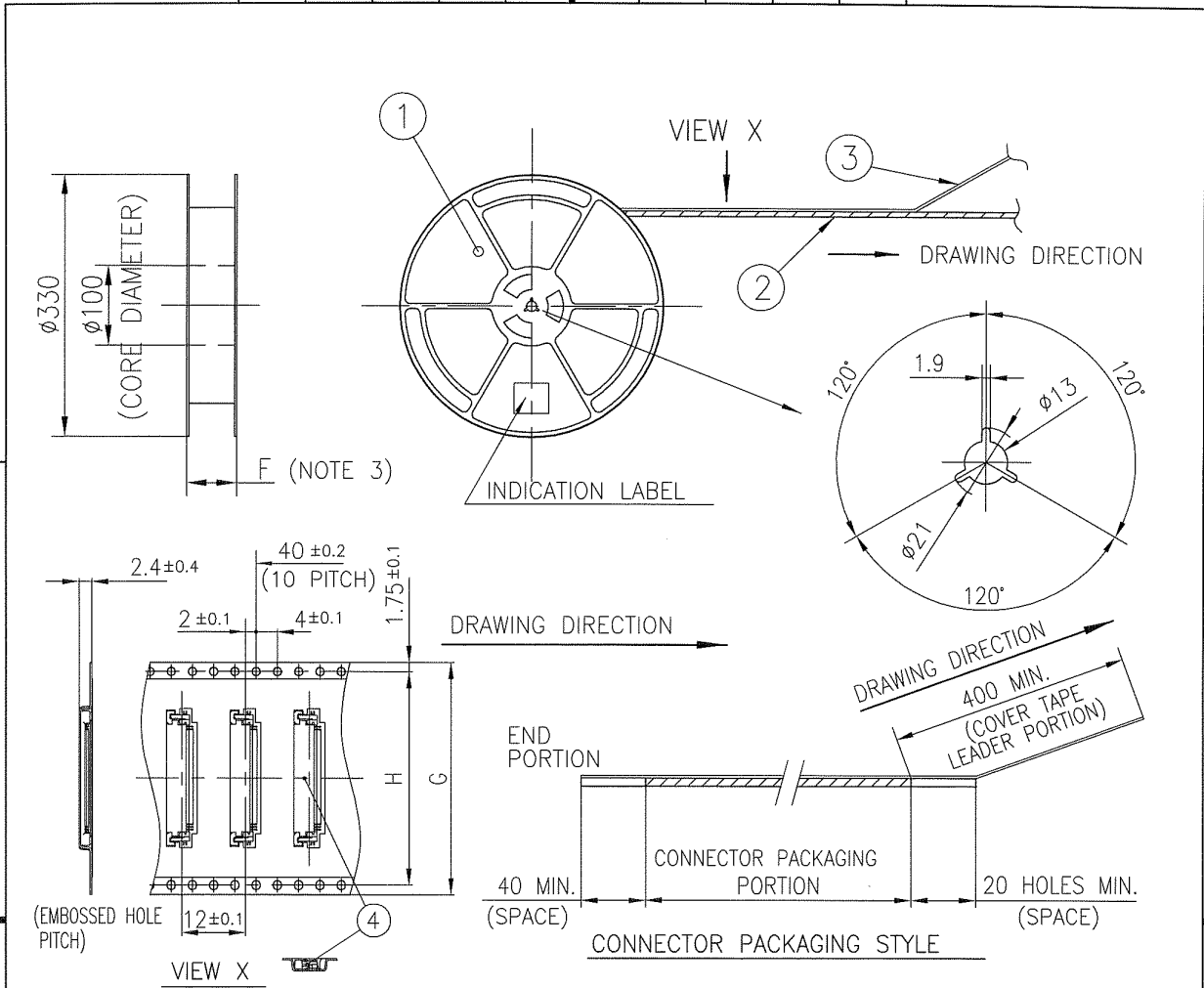
SC-SFV06 JSA97460 form: A4



FCIconnect.com

Copyright FCI.





PT. NO.	PARTS NAME	CAT. NO.	MATERIAL	Q'TY	NOTE
1	REEL	—	POLYSTYRENE	1	COLOR : BLACK
2	PLASTIC (EMBOSS) TAPE	—	A-PET	—	COLOR : TRANSPARENCY
3	COVER	—	POLYESTER	—	COLOR : TRANSPARENCY
4	CONNECTOR	SFV__R-2STB__LF	SEE ATTACHED DWG.	2500	LOWER CONTACT TYPE

NOTES

- THIS IS PLASTIC TAPE PACKAGED CONNECTOR USED FOR FPC/FFC AND COPES WITH AUTOMATIC MOUNTING (SMT).
- SEE JIS C 0806 (PACKING OF ELECTRONIC COMPONENTS ON CONTINUOUS TAPES (SURFACE MOUNTING DEVICES)) FOR SHAPE AND DIMENSIONS OF PLASTIC (EMBOSS) TAPE AND REEL.
- F DIMENSION IS PORTION OF THE CORE.

mat'l. code		surface ISO 1302		tolerance ISO 406 ISO 1101		projection		product family 58EF		CODE JP	
ltr ecn no dr date		tolerances unless otherwise specified		±5		mm		title		PLASTIC TAPE PACKAGED	
A J08-0375 H.T 2008-9-18		angles linear		±5'		scale X		0.5 mm CONTACT SPACING CONNECTOR		(Cat. No. : SFV__R-2STBE5LF)	
dr		engr		chr		appd		dwg no		sheet 1 of 1 size	
S. Witala 2008-9-18		S. Witala 2008-9-18		S. Witala 2008-9-18		S. Witala 2008-9-18		JSA 97462		A4	
sheet index		revision sheet		A 1				type Product Customer Drawing		Rev A	

SC-SFV06 JSA97460 form: A4



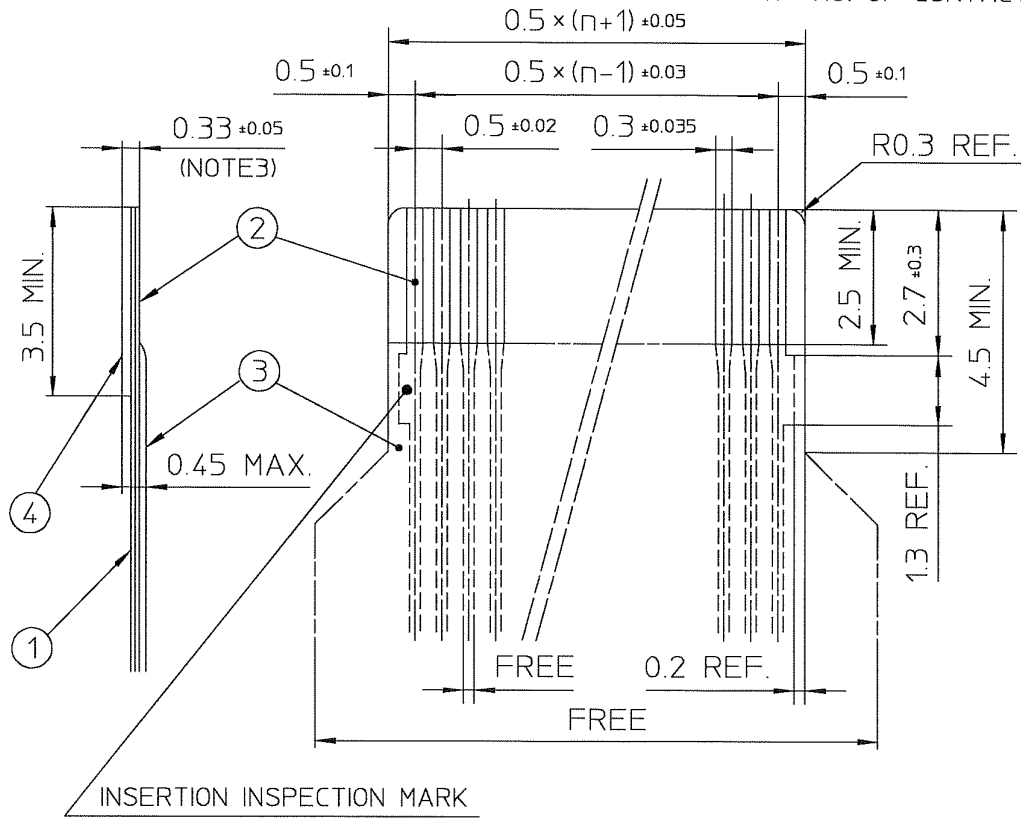
FCIconnect.com

Copyright FCI.



RECOMMENDED CABLE (FPC)

n : NO. OF CONTACTS



PT. NO.	PARTS NAME	MATERIAL	THICKNESS(μm)
1	BASE FILM	POLYIMIDE OR POLYESTER OR EQUAL	25
2	CONDUCTOR	COPPER FOIL(PLATING : GOLD)	35
3	OVERLAY	POLYIMIDE OR POLYESTER OR EQUAL	—
4	SUPPORTING TAPE	POLYESTER OR POLYIMIDE OR EQUAL	188

NOTES

1. NO BURR AT EACH PORTION.
2. NO PEELING IN COMMON USE.
3. TOTAL THICKNESS LIMIT OF EACH MATERIAL (INCLUDING ADHESIVE AGENT) IS SPECIFIED.

mat'l. code				surface ISO 1302 ✓		tolerance ISO 406 ISO 1101		projection		product family 58EF		
ltr	ecn no	dr	date	tolerances unless otherwise specified						title RECOMMENDED CABLE (Cat. No. : SFV__R-1/2ST___LF)		
A	J04-0186	H.T	'04/8/9	angles	linear							
B	J04-0454	H.T	'05/2/7							dwg no JSA 96019 sheet 1 of 1 size A4		
C	J06-0372	H.T	'06/9/7					scale X				
				dr	9/9/06				type Product Customer Drawing			
				enr	9/9/06							
				chr	9/8/06							
				appd	9/11/06							
sheet index	revision sheet	C	1									Rev. C

SC-SFV06 JSA96013 form: A4

1

2

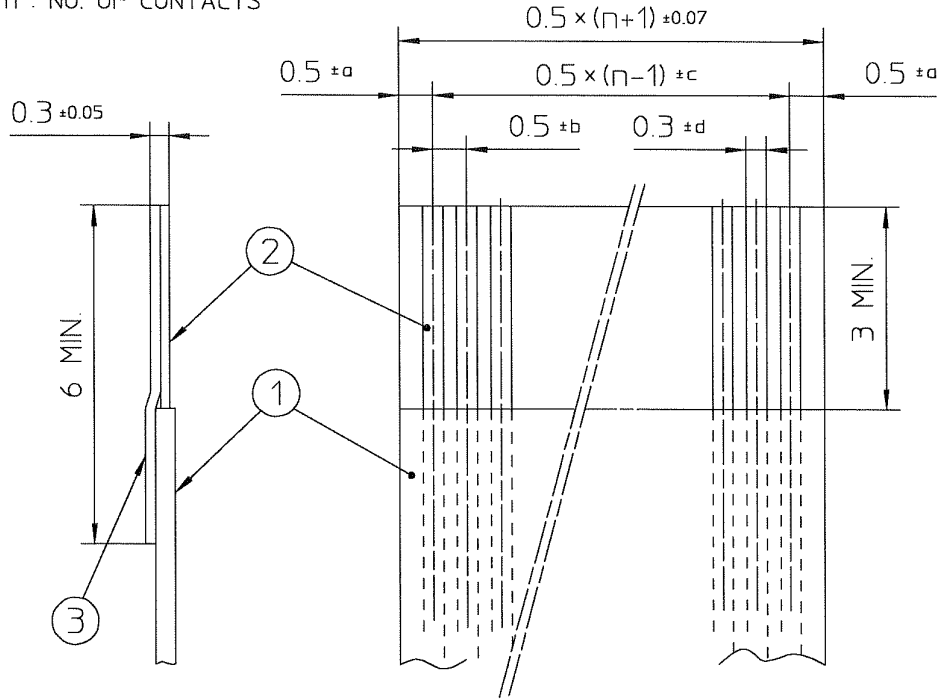


FCIconnect.com

Copyright FCI

RECOMMENDED CABLE (FFC)

n : NO. OF CONTACTS



KIND OF FFC (NOTE3)	DIMENSIONAL TOLERANCE			
	a	b	c	d
1	±0.07	±0.04	±0.05	±0.02
2	±0.1	±0.03	±0.03	±0.025

PT. NO.	PARTS NAME	MATERIAL
1	INSULATOR	FLAME RESISTING POLYESTER OR EQUAL
2	CONDUCTOR	COPPER FOIL (PLATING : GOLD)
3	SUPPORTING TAPE	FLAME RESISTING POLYESTER OR EQUAL

NOTES

1. NO BURR AT EACH PORTION.
2. NO PEELING IN COMMON USE.
3. EITHER KIND1 OR KIND2 OF FFC CAN ACCEPT DIMENSIONAL TOLERANCE a,b,c AND d.

mat'l. code				surface ISO 1302 ✓	tolerance ISO 406 ISO 1101	projection	product family 58EF
ltr	ecn no	dr	date	tolerances unless otherwise specified		scale \times	title RECOMMENDED CABLE (Cat. No. : SFV__R-1/2ST__)
A	J06-0499	H.T	11/27/06	angles	linear		
				dr	<i>[Signature]</i> 11/27/06		sheet 1 of 1 size A4 JSA 97202 type Product Customer Drawing
				enr	<i>[Signature]</i> 11/27/06		
				chr	<i>[Signature]</i> 11/27/06		
				appd	<i>[Signature]</i> 11/28/06		
sheet index	revision sheet	A	1				Rev. A

form: A4

1

2



FCJconnect.com

Copyright FCJ