

Product Facts

- Available in ZIF and non-ZIF
- Available in 0.3, 0.5, 1.0, and 1.25mm Centerlines
- Available Tin-Lead or Lead-Free
- SMT, Thu-Hole, Vertical and Right-Angle
- Right-Angle Available Top or Bottom Contact

Need more information?

Call Technical Support at the numbers listed below.

Technical Support is staffed with specialists well versed in Tyco Electronics products. They can provide you with:

- Technical support
- Catalogs
- Technical Documents
- Product Samples
- Authorized Distributor Locations



As the demands for higher-density packaging of electronic equipment increases, the use of flexible printed circuits (FPC) to reduce size, weight and assembly costs has expanded. FPC is finding wide acceptance in the computer industry, particularly in such applications as Lap Top, Notebook, Palm Top and Note Pad

Computers. Other markets include: Disk Drives, Printers, Plotters, Copiers, Cellular Phones, and Medical Equipment.

Tyco Electronics FPC connectors have been developed to meet the challenges of this expanding market. Available in center-line spacings 0.3 [.012], 0.5

[.020], 1.0 [.039], and 1.25 [.049] all incorporating low profile and light-weight features.

For custom parts, modification, or any inquiries, please contact your nearest Tyco Electronics Representatives or visit our website <http://www.tycoelectronics.com>

| Part Number | Pb Free Part Number | Pitch | ZIF | SMT / Thu-Hole | Vertical / Right-Angle | Contact Type | Circuit Range | Type A/B | Page Number |
|-------------|---------------------|-------|--------|----------------|------------------------|--------------|---------------|----------|-------------|
| 1746237 | 1746237 | 0.3 | ZIF | SMT | Right-Angle | Bottom | 27, 39 | A | 2 |
| 1470731 | 1734742 | 0.5 | ZIF | SMT | Vertical | — | 4 - 40P | A | 3 |
| 1470359 | 1734839 | 0.5 | ZIF | SMT | Right-Angle | Top | 5 - 50P | Inline | 4 & 5 |
| 1470360 | 1734592 | 0.5 | ZIF | SMT | Right-Angle | Bottom | 5 - 50P | Inline | 6 & 7 |
| 440347 | 1734248 | 1.0 | ZIF | SMT | Vertical | — | 3 - 40P | 2 Row | 8 & 9 |
| 487951 | 84953 | 1.0 | ZIF | SMT | Right-Angle | Top | 4 - 30P | Inline | 10 & 11 |
| 487952 | 84952 | 1.0 | ZIF | SMT | Right-Angle | Bottom | 4 - 30P | Inline | 12 & 13 |
| 84982 | 84982 | 1.0 | NonZIF | SMT | Vertical | — | 4 - 40P | A | 14 & 15 |
| 84981 | 84981 | 1.0 | NonZIF | SMT | Right-Angle | Top | 4 - 40P | Inline | 16 & 17 |
| 1470852 | 1734798 | 1.0 | NonZIF | SMT | Right-Angle | Bottom | 4 - 30P | Inline | 18 & 19 |
| 84984 | 84984 | 1.0 | NonZIF | Thu-Hole | Vertical | — | 4 - 40P | A | 20 & 21 |
| 84983 | 84983 | 1.0 | NonZIF | Thu-Hole | Right-Angle | Top | 4 - 40P | A | 22 & 23 |
| 1470790 | 1734779 | 1.0 | NonZIF | Thu-Hole | Right-Angle | Bottom | 4 - 30P | B | 24 & 25 |
| 84534 | 84534 | 1.25 | NonZIF | Thu-Hole | Vertical | — | 4 - 40P | A | 26 & 27 |
| 84533 | 84533 | 1.25 | NonZIF | Thu-Hole | Right-Angle | Top | 4 - 40P | A | 28 & 29 |

©2006 by Tyco Electronics Corporation. All Rights Reserved.

Tyco and AMP are trademarks.

Catalog 1-1773440-6
Revised 05-06
www.tycoelectronics.com

Dimensions are in millimeters and inches unless otherwise specified. Values in brackets are standard equivalents.

Dimensions are shown for reference purposes only. Specifications subject to change.

USA: 1-800-522-6752
Canada: 1-905-470-4425
Mexico: 01-800-733-8926
C. America: 52-55-5-729-0425

South America: 55-11-3611-1514
Hong Kong: 852-2735-1628
Japan: 81-44-844-8013
UK: 44-141-810-8967

Product Dimensions

**0.3 mm, FPC Connector,
Flip Lock Type**

Part Number: 1746237

Material and Finish

Housing — Thermoplastic, UL 94V-0

Contacts — Phosphor bronze

Technical Documents

Product Specification — 108-5924



Recommended PCB Layout

Product Dimensions (Continued)

**0.5 mm, FPC/FFC
Connector, ZIF, Vertical,
SMT, Type A**

**Part Number 1470731
Lead Free 1734742**

Material and Finish

Housing — High temperature thermo-
plastic, UL 94V-0, brown color

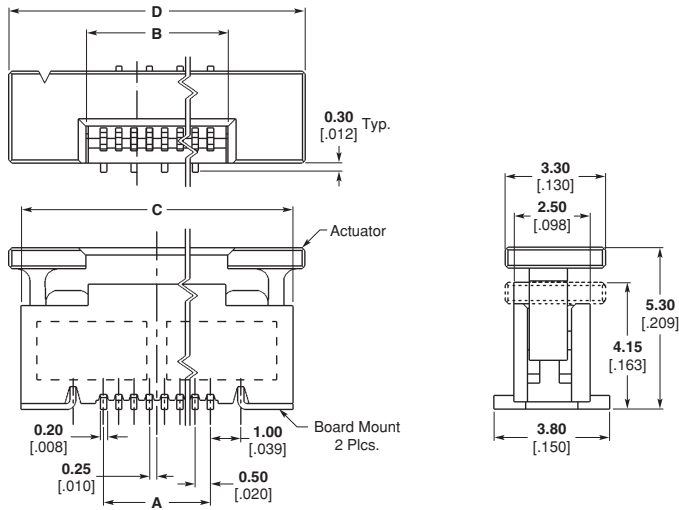
Actuator — High temperature thermo-
plastic, UL 94V-0, natural color

Contacts — Phosphor bronze

Board Mounts — Brass

Technical Documents

Product Specification — 108-57324



Recommended FFC Layout

Recommended FPC Layout



Recommended PCB Layout

| Part Number | No. of Contacts | Dimension | | | |
|-------------|-----------------|---------------|---------------|----------------|----------------|
| | | A | B | C | D |
| 1-1470731-6 | 16 | 7.50 .295 | 8.65 .341 | 12.90 .508 | 13.70 .539 |
| 1-1470731-8 | 18 | 8.50 .335 | 9.65 .380 | 13.90 .547 | 14.70 .579 |
| 2-1470731-0 | 20 | 9.50 .374 | 10.65 .419 | 14.90 .587 | 15.70 .618 |
| 2-1470731-4 | 24 | 11.50 .453 | 12.65 .498 | 16.90 .665 | 17.70 .697 |
| 3-1470731-0 | 30 | 14.50 .571 | 15.65 .616 | 19.90 .783 | 20.70 .815 |
| 4-1470731-0 | 40 | 19.50 .768 | 20.65 .813 | 25.90 1.020 | 25.70 1.012 |

Product Dimensions (Continued)

**0.5 mm, FPC Connector,
SMT, Top Contact**

Part Number 1470359
Lead Free 1734839

Material and Finish

Housing — High temperature thermo-
plastic, UL 94V-0, natural color

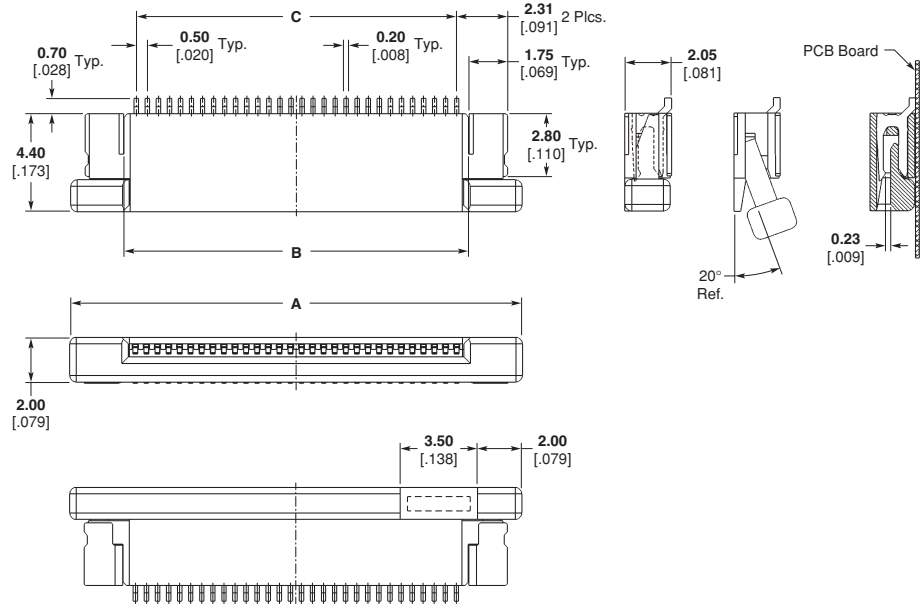
Actuator — Thermoplastic, UL 94V-0,
ivory color

Hold Down — Phosphor bronze

Contact — Phosphor bronze

Technical Documents

Product Specification — 108-57238



Recommended FPC Layout



Recommended PCB Layout

Product Dimensions (Continued)

**0.5 mm, FPC Connector,
SMT, Top Contact**

**Part Number 1470359
Lead Free 1734839**

| Part Number | Position | Dimension | | |
|-------------|----------|---------------|---------------|---------------|
| | | A | B | C |
| 1470359-5 | 5 | 7.93 .312 | 3.10 .122 | 2.00 .078 |
| 1470359-6 | 6 | 8.43 .331 | 3.60 .141 | 2.50 .098 |
| 1470359-7 | 7 | 8.93 .351 | 4.10 .161 | 3.00 .118 |
| 1470359-8 | 8 | 9.43 .371 | 4.60 .181 | 3.50 .137 |
| 1470359-9 | 9 | 9.93 .390 | 5.10 .200 | 4.00 .157 |
| 1-1470359-0 | 10 | 10.43 .410 | 5.60 .220 | 4.50 .177 |
| 1-1470359-1 | 11 | 10.93 .430 | 6.10 .240 | 5.00 .196 |
| 1-1470359-2 | 12 | 11.43 .450 | 6.60 .259 | 5.50 .216 |
| 1-1470359-3 | 13 | 11.93 .469 | 7.10 .279 | 6.00 .236 |
| 1-1470359-4 | 14 | 12.43 .489 | 7.60 .299 | 6.50 .255 |
| 1-1470359-5 | 15 | 12.93 .509 | 8.10 .318 | 7.00 .275 |
| 1-1470359-6 | 16 | 13.43 .528 | 8.60 .338 | 7.50 .295 |
| 1-1470359-7 | 17 | 13.93 .548 | 9.10 .358 | 8.00 .314 |
| 1-1470359-8 | 18 | 14.43 .568 | 9.60 .377 | 8.50 .334 |
| 1-1470359-9 | 19 | 14.93 .587 | 10.10 .397 | 9.00 .354 |
| 2-1470359-0 | 20 | 15.43 .607 | 10.60 .417 | 9.50 .374 |
| 2-1470359-1 | 21 | 15.93 .627 | 11.10 .437 | 10.00 .393 |
| 2-1470359-2 | 22 | 16.43 .646 | 11.60 .456 | 10.50 .413 |
| 2-1470359-3 | 23 | 16.93 .666 | 12.10 .476 | 11.00 .433 |
| 2-1470359-4 | 24 | 17.43 .686 | 12.60 .496 | 11.50 .452 |
| 2-1470359-5 | 25 | 17.93 .705 | 13.10 .515 | 12.00 .472 |
| 2-1470359-6 | 26 | 18.43 .725 | 13.60 .535 | 12.50 .492 |
| 2-1470359-7 | 27 | 18.93 .745 | 14.10 .555 | 13.00 .511 |

| Part Number | Position | Dimension | | |
|-------------|----------|----------------|----------------|---------------|
| | | A | B | C |
| 2-1470359-8 | 28 | 19.43 .764 | 14.60 .574 | 13.50 .531 |
| 2-1470359-9 | 29 | 19.93 .784 | 15.10 .594 | 14.00 .551 |
| 3-1470359-0 | 30 | 20.43 .804 | 15.60 .614 | 14.50 .570 |
| 3-1470359-1 | 31 | 20.93 .824 | 16.10 .633 | 15.00 .590 |
| 3-1470359-2 | 32 | 21.43 .843 | 16.60 .653 | 15.50 .610 |
| 3-1470359-3 | 33 | 21.93 .863 | 17.10 .673 | 16.00 .629 |
| 3-1470359-4 | 34 | 22.43 .883 | 17.60 .692 | 16.50 .649 |
| 3-1470359-5 | 35 | 22.93 .902 | 18.10 .712 | 17.00 .669 |
| 3-1470359-6 | 36 | 23.43 .922 | 18.60 .732 | 17.50 .688 |
| 3-1470359-7 | 37 | 23.93 .942 | 19.10 .751 | 18.00 .708 |
| 3-1470359-8 | 38 | 24.43 .961 | 19.60 .771 | 18.50 .728 |
| 3-1470359-9 | 39 | 24.93 .981 | 20.10 .791 | 19.00 .748 |
| 4-1470359-0 | 40 | 25.43 1.001 | 20.60 .811 | 19.50 .767 |
| 4-1470359-1 | 41 | 25.93 1.020 | 21.10 .830 | 20.00 .787 |
| 4-1470359-2 | 42 | 26.43 1.040 | 21.60 .850 | 20.50 .807 |
| 4-1470359-3 | 43 | 26.93 1.060 | 22.10 .870 | 21.00 .826 |
| 4-1470359-4 | 44 | 27.43 1.079 | 22.60 .890 | 21.50 .846 |
| 4-1470359-5 | 45 | 27.93 1.099 | 23.10 .909 | 22.00 .866 |
| 4-1470359-6 | 46 | 28.43 1.119 | 23.60 .929 | 22.50 .885 |
| 4-1470359-7 | 47 | 28.93 1.138 | 24.10 .949 | 23.00 .905 |
| 4-1470359-8 | 48 | 29.43 1.158 | 24.60 .968 | 23.50 .925 |
| 4-1470359-9 | 49 | 29.93 1.178 | 25.10 .988 | 24.00 .944 |
| 5-1470359-0 | 50 | 30.43 1.198 | 25.60 1.008 | 24.50 .964 |

Product Dimensions (Continued)

**0.5 mm, FPC Connector,
SMT, Bottom Contact**

Part Number 1470360
Lead Free 1734592

Material and Finish

Housing — High temperature thermo-
plastic, UL 94V-0, natural color

Actuator — Thermoplastic, UL 94V-0,
ivory color

Hold Down — Phosphor bronze

Contact — Phosphor bronze

Technical Documents

Product Specification — 108-57238



Recommended FPC Layout



Recommended PCB Layout

Product Dimensions (Continued)

**0.5 mm, FPC Connector,
SMT, Bottom Contact**

**Part Number 1470360
Lead Free 1734592**

| Part Number | Position | Dimension | | |
|-------------|----------|---------------|---------------|---------------|
| | | A | B | C |
| 1470360-5 | 5 | 7.93 .312 | 3.10 .122 | 2.00 .078 |
| 1470360-6 | 6 | 8.43 .331 | 3.60 .141 | 2.50 .098 |
| 1470360-7 | 7 | 8.93 .351 | 4.10 .161 | 3.00 .118 |
| 1470360-8 | 8 | 9.43 .371 | 4.60 .181 | 3.50 .137 |
| 1470360-9 | 9 | 9.93 .390 | 5.10 .200 | 4.00 .157 |
| 1-1470360-0 | 10 | 10.43 .410 | 5.60 .220 | 4.50 .177 |
| 1-1470360-1 | 11 | 10.93 .430 | 6.10 .240 | 5.00 .196 |
| 1-1470360-2 | 12 | 11.43 .450 | 6.60 .259 | 5.50 .216 |
| 1-1470360-3 | 13 | 11.93 .469 | 7.10 .279 | 6.00 .236 |
| 1-1470360-4 | 14 | 12.43 .489 | 7.60 .299 | 6.50 .255 |
| 1-1470360-5 | 15 | 12.93 .509 | 8.10 .318 | 7.00 .275 |
| 1-1470360-6 | 16 | 13.43 .528 | 8.60 .338 | 7.50 .295 |
| 1-1470360-7 | 17 | 13.93 .548 | 9.10 .358 | 8.00 .314 |
| 1-1470360-8 | 18 | 14.43 .568 | 9.60 .377 | 8.50 .334 |
| 1-1470360-9 | 19 | 14.93 .587 | 10.10 .397 | 9.00 .354 |
| 2-1470360-0 | 20 | 15.43 .607 | 10.60 .417 | 9.50 .374 |
| 2-1470360-1 | 21 | 15.93 .627 | 11.10 .437 | 10.00 .393 |
| 2-1470360-2 | 22 | 16.43 .646 | 11.60 .456 | 10.50 .413 |
| 2-1470360-3 | 23 | 16.93 .666 | 12.10 .476 | 11.00 .433 |
| 2-1470360-4 | 24 | 17.43 .686 | 12.60 .496 | 11.50 .452 |
| 2-1470360-5 | 25 | 17.93 .705 | 13.10 .515 | 12.00 .472 |
| 2-1470360-6 | 26 | 18.43 .725 | 13.60 .535 | 12.50 .492 |
| 2-1470360-7 | 27 | 18.93 .745 | 14.10 .555 | 13.00 .511 |

| Part Number | Position | Dimension | | |
|-------------|----------|----------------|----------------|---------------|
| | | A | B | C |
| 2-1470360-8 | 28 | 19.43 .764 | 14.60 .574 | 13.50 .531 |
| 2-1470360-9 | 29 | 19.93 .784 | 15.10 .594 | 14.00 .551 |
| 3-1470360-0 | 30 | 20.43 .804 | 15.60 .614 | 14.50 .570 |
| 3-1470360-1 | 31 | 20.93 .824 | 16.10 .633 | 15.00 .590 |
| 3-1470360-2 | 32 | 21.43 .843 | 16.60 .653 | 15.50 .610 |
| 3-1470360-3 | 33 | 21.93 .863 | 17.10 .673 | 16.00 .629 |
| 3-1470360-4 | 34 | 22.43 .883 | 17.60 .692 | 16.50 .649 |
| 3-1470360-5 | 35 | 22.93 .902 | 18.10 .712 | 17.00 .669 |
| 3-1470360-6 | 36 | 23.43 .922 | 18.60 .732 | 17.50 .688 |
| 3-1470360-7 | 37 | 23.93 .942 | 19.10 .751 | 18.00 .708 |
| 3-1470360-8 | 38 | 24.43 .961 | 19.60 .771 | 18.50 .728 |
| 3-1470360-9 | 39 | 24.93 .981 | 20.10 .791 | 19.00 .748 |
| 4-1470360-0 | 40 | 25.43 1.001 | 20.60 .811 | 19.50 .767 |
| 4-1470360-1 | 41 | 25.93 1.020 | 21.10 .830 | 20.00 .787 |
| 4-1470360-2 | 42 | 26.43 1.040 | 21.60 .850 | 20.50 .807 |
| 4-1470360-3 | 43 | 26.93 1.060 | 22.10 .870 | 21.00 .826 |
| 4-1470360-4 | 44 | 27.43 1.079 | 22.60 .890 | 21.50 .846 |
| 4-1470360-5 | 45 | 27.93 1.099 | 23.10 .909 | 22.00 .866 |
| 4-1470360-6 | 46 | 28.43 1.119 | 23.60 .929 | 22.50 .885 |
| 4-1470360-7 | 47 | 28.93 1.138 | 24.10 .949 | 23.00 .905 |
| 4-1470360-8 | 48 | 29.43 1.158 | 24.60 .968 | 23.50 .925 |
| 4-1470360-9 | 49 | 29.93 1.178 | 25.10 .988 | 24.00 .944 |
| 5-1470360-0 | 50 | 30.43 1.198 | 25.60 1.008 | 24.50 .964 |

Product Dimensions (Continued)

**1.0 mm, FPC Connector,
ZIF Vertical, SMT**

Part Number 440347
Lead Free 1734248

Material and Finish

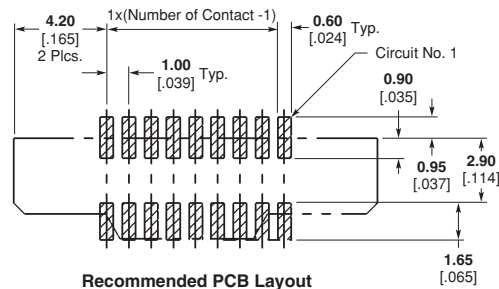
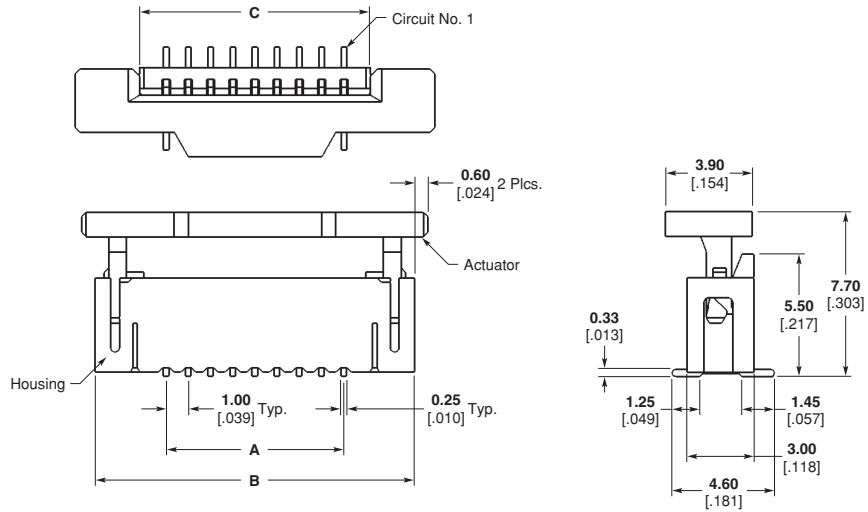
Housing — Thermoplastic, UL 94V-0, black color

Actuator — PPS, UL 94V-0, brown color

Contact — Phosphor bronze

Technical Documents

Product Specification — 108-57080



Product Dimensions (Continued)

**1.0 mm, FPC Connector,
ZIF Vertical, SMT**

**Part Number 440347
Lead Free 1734248**

| Part Number | Position | Dimension | | |
|-------------|----------|---------------|----------------|---------------|
| | | A | B | C |
| 440347-3 | 3 | 2.00 .078 | 8.60 .338 | 4.40 .173 |
| 440347-4 | 4 | 3.00 .118 | 9.60 .377 | 5.40 .212 |
| 440347-5 | 5 | 4.00 .157 | 10.60 .417 | 6.40 .251 |
| 440347-6 | 6 | 5.00 .197 | 11.60 .456 | 7.40 .291 |
| 440347-7 | 7 | 6.00 .236 | 12.60 .496 | 8.40 .330 |
| 440347-8 | 8 | 7.00 .276 | 13.60 .535 | 9.40 .370 |
| 440347-9 | 9 | 8.00 .315 | 14.60 .574 | 10.40 .409 |
| 440347-0 | 10 | 9.00 .354 | 15.60 .614 | 11.40 .448 |
| 1-440347-1 | 11 | 10.00 .394 | 16.60 .653 | 12.40 .488 |
| 1-440347-2 | 12 | 11.00 .433 | 17.60 .692 | 13.40 .527 |
| 1-440347-3 | 13 | 12.00 .472 | 18.60 .732 | 14.40 .566 |
| 1-440347-4 | 14 | 13.00 .512 | 19.60 .771 | 15.40 .606 |
| 1-440347-5 | 15 | 14.00 .551 | 20.60 .811 | 16.40 .645 |
| 1-440347-6 | 16 | 15.00 .591 | 21.60 .850 | 17.40 .685 |
| 1-440347-7 | 17 | 16.00 .630 | 22.60 .889 | 18.40 .724 |
| 1-440347-8 | 18 | 17.00 .669 | 23.60 .929 | 19.40 .763 |
| 1-440347-9 | 19 | 18.00 .709 | 24.60 .968 | 20.40 .803 |
| 2-440347-0 | 20 | 19.00 .748 | 25.60 1.007 | 21.40 .842 |
| 2-440347-1 | 21 | 20.00 .787 | 26.60 1.047 | 22.40 .881 |

| Part Number | Position | Dimension | | |
|-------------|----------|----------------|----------------|----------------|
| | | A | B | C |
| 2-440347-2 | 22 | 21.00 .827 | 27.60 1.086 | 23.40 .921 |
| 2-440347-3 | 23 | 22.00 .866 | 28.60 1.125 | 24.40 .960 |
| 2-440347-4 | 24 | 23.00 .906 | 29.60 1.165 | 25.40 1.000 |
| 2-440347-5 | 25 | 24.00 .945 | 30.60 1.204 | 26.40 1.039 |
| 2-440347-6 | 26 | 25.00 .984 | 31.60 1.244 | 27.40 1.078 |
| 2-440347-7 | 27 | 26.00 1.024 | 32.60 1.283 | 28.40 1.118 |
| 2-440347-8 | 28 | 27.00 1.063 | 33.60 1.322 | 29.40 1.157 |
| 2-440347-9 | 29 | 28.00 1.102 | 34.60 1.362 | 30.40 1.196 |
| 3-440347-0 | 30 | 29.00 1.142 | 35.60 1.401 | 31.40 1.236 |
| 3-440347-1 | 31 | 30.00 1.181 | 36.60 1.440 | 32.40 1.275 |
| 3-440347-2 | 32 | 31.00 1.221 | 37.60 1.480 | 33.40 1.314 |
| 3-440347-3 | 33 | 32.00 1.259 | 38.60 1.519 | 34.40 1.354 |
| 3-440347-4 | 34 | 33.00 1.299 | 39.60 1.559 | 35.40 1.393 |
| 3-440347-5 | 35 | 34.00 1.338 | 40.60 1.598 | 36.40 1.433 |
| 3-440347-6 | 36 | 35.00 1.377 | 41.60 1.637 | 37.40 1.472 |
| 3-440347-7 | 37 | 36.00 1.417 | 42.60 1.677 | 38.40 1.511 |
| 3-440347-8 | 38 | 37.00 1.456 | 43.60 1.716 | 39.40 1.551 |
| 3-440347-9 | 39 | 38.00 1.496 | 44.60 1.755 | 40.40 1.590 |
| 4-440347-0 | 40 | 39.00 1.535 | 45.60 1.795 | 41.40 1.629 |

Product Dimensions (Continued)

**1.0 mm, FPC Connector,
Right Angle, SMT, Top
Contact**

Part Number 487951
Lead Free 84953

Material and Finish

Housing — Glass reinforced polyester (LCP), UL 94V-0, natural color

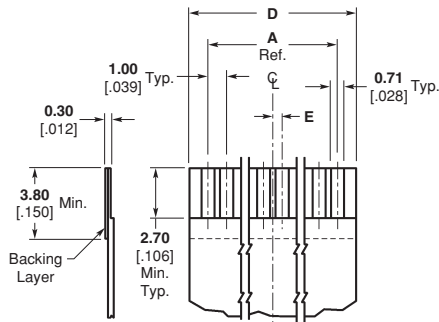
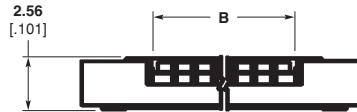
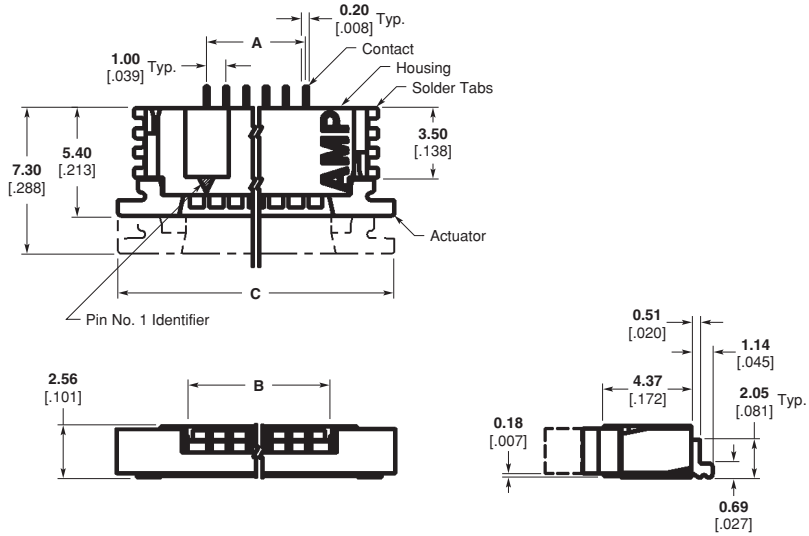
Actuator — Glass reinforced nylon (PPA), UL 94V-0, or glass reinforced PPS, UL 94V-0, black color

Solder Tabs — Phosphor bronze

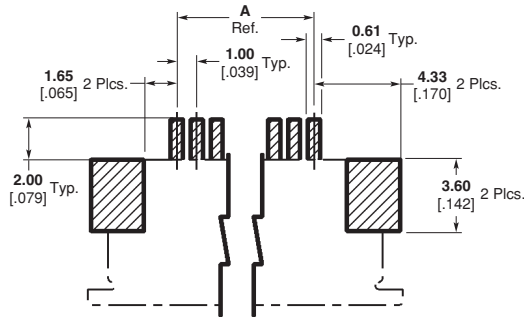
Contact — Phosphor bronze

Technical Documents

Product Specification — 108-1393



Recommended FPC Layout



Recommended PCB Layout

1.0 mm, FPC Connector,
Right Angle, SMT, Top
Contact

Part Number **487951**
Lead Free **84953**

Technical Documents
Product Specification — 108-1393

Product Dimensions (Continued)

| Part Number | Positions | Dimension | | | | |
|-------------|-----------|----------------|----------------|----------------|----------------|--------------|
| | | A | B | C | D | E |
| 84953-4 | 4 | 3.00 .118 | 5.18 .204 | 11.92 .469 | 5.00 .197 | 0.50 .019 |
| 84953-5 | 5 | 4.00 .157 | 6.18 .243 | 12.92 .509 | 6.00 .236 | — |
| 84953-6 | 6 | 5.00 .197 | 7.18 .283 | 13.92 .548 | 7.00 .276 | 0.50 .019 |
| 84953-7 | 7 | 6.00 .236 | 8.18 .322 | 14.92 .587 | 8.00 .315 | — |
| 84953-8 | 8 | 7.00 .276 | 9.18 .361 | 15.92 .627 | 9.00 .354 | 0.50 .019 |
| 84953-9 | 9 | 8.00 .315 | 10.18 .401 | 16.92 .666 | 10.00 .394 | — |
| 1-84953-0 | 10 | 9.00 .354 | 11.18 .440 | 17.92 .705 | 11.00 .433 | 0.50 .019 |
| 1-84953-1 | 11 | 10.00 .394 | 12.18 .480 | 18.92 .745 | 12.00 .472 | — |
| 1-84953-2 | 12 | 11.00 .433 | 13.18 .519 | 19.92 .784 | 13.00 .512 | 0.50 .019 |
| 1-84953-3 | 13 | 12.00 .472 | 14.18 .558 | 20.92 .824 | 14.00 .551 | — |
| 1-84953-4 | 14 | 13.00 .512 | 15.18 .598 | 21.92 .863 | 15.00 .591 | 0.50 .019 |
| 1-84953-5 | 15 | 14.00 .551 | 16.18 .637 | 22.92 .902 | 16.00 .630 | — |
| 1-84953-6 | 16 | 15.00 .591 | 17.18 .676 | 23.92 .942 | 17.00 .669 | 0.50 .019 |
| 1-84953-7 | 17 | 16.00 .630 | 18.18 .716 | 24.92 .981 | 18.00 .709 | — |
| 1-84953-8 | 18 | 17.00 .669 | 19.18 .755 | 25.92 1.020 | 19.00 .748 | 0.50 .019 |
| 1-84953-9 | 19 | 18.00 .709 | 20.18 .794 | 26.92 1.060 | 20.00 .787 | — |
| 2-84953-0 | 20 | 19.00 .748 | 21.18 .834 | 27.92 1.099 | 21.00 .827 | 0.50 .019 |
| 2-84953-1 | 21 | 20.00 .787 | 22.18 .873 | 28.92 1.139 | 22.00 .866 | — |
| 2-84953-2 | 22 | 21.00 .827 | 23.18 .913 | 29.92 1.179 | 23.00 .906 | 0.50 .019 |
| 2-84953-3 | 23 | 22.00 .866 | 24.18 .952 | 30.92 1.217 | 24.00 .945 | — |
| 2-84953-4 | 24 | 23.00 .906 | 25.18 .991 | 31.92 1.257 | 25.00 .984 | 0.50 .019 |
| 2-84953-5 | 25 | 24.00 .945 | 26.18 1.031 | 32.92 1.296 | 26.00 1.024 | — |
| 2-84953-6 | 26 | 25.00 .984 | 27.18 1.070 | 33.92 1.335 | 27.00 1.063 | 0.50 .019 |
| 2-84953-7 | 27 | 26.00 1.024 | 28.18 1.109 | 34.92 1.375 | 28.00 1.102 | — |
| 2-84953-8 | 28 | 27.00 1.063 | 29.18 1.149 | 35.92 1.414 | 29.00 1.142 | 0.50 .019 |
| 2-84953-9 | 29 | 28.00 1.102 | 30.18 1.188 | 36.92 1.454 | 30.00 1.181 | — |
| 3-84953-0 | 30 | 29.00 1.142 | 31.18 1.228 | 37.92 1.492 | 31.00 1.221 | 0.50 .019 |

Product Dimensions (Continued)

**1.0 mm, FPC Connector,
Right Angle, SMT, Bottom
Contact**

Part Number 487952
Lead Free 84952

Material and Finish

Housing — Glass reinforced polyester (LCP), UL 94V-0, natural color

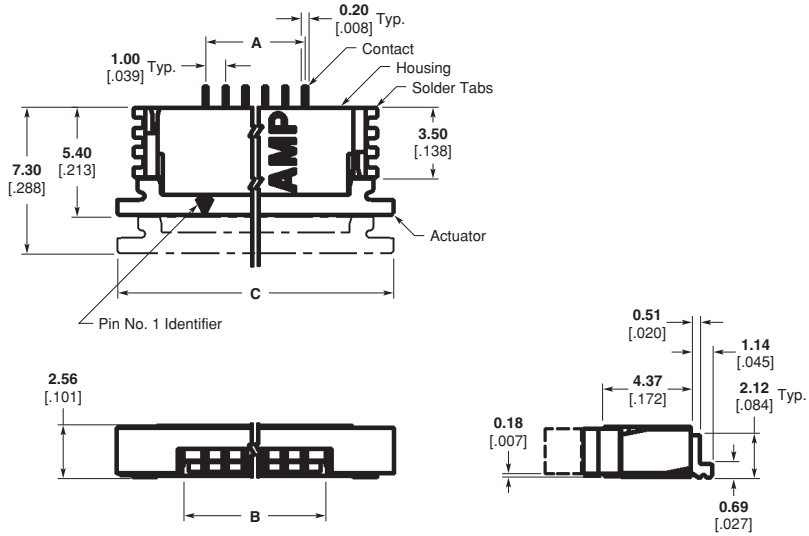
Actuator — Glass reinforced nylon (PPA), UL 94V-0, or glass reinforced PPS, UL 94V-0, black color

Solder Tabs — Phosphor bronze

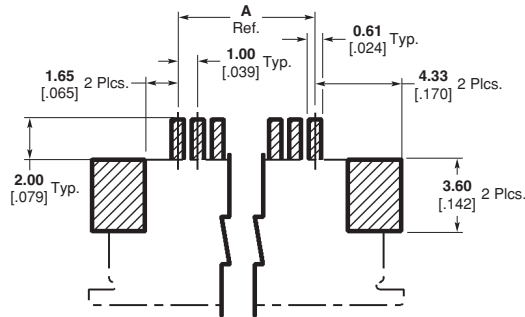
Contact — Phosphor bronze

Technical Documents

Product Specification — 108-1393



Recommended FPC Layout



Recommended PCB Layout

1.0 mm, FPC Connector,
Right Angle, SMT, Bottom
Contact

Part Number 487952
Lead Free 84952

Technical Documents
Product Specification — 108-1393

Product Dimensions (Continued)

| Part Number | Positions | Dimension | | | | |
|-------------|-----------|----------------|----------------|----------------|----------------|--------------|
| | | A | B | C | D | E |
| 84952-4 | 4 | 3.00 .118 | 5.18 .204 | 11.92 .469 | 5.00 .197 | 0.50 .019 |
| 84952-5 | 5 | 4.00 .157 | 6.18 .243 | 12.92 .509 | 6.00 .236 | — |
| 84952-6 | 6 | 5.00 .197 | 7.18 .283 | 13.92 .548 | 7.00 .276 | 0.50 .019 |
| 84952-7 | 7 | 6.00 .236 | 8.18 .322 | 14.92 .587 | 8.00 .315 | — |
| 84952-8 | 8 | 7.00 .276 | 9.18 .361 | 15.92 .627 | 9.00 .354 | 0.50 .019 |
| 84952-9 | 9 | 8.00 .315 | 10.18 .401 | 16.92 .666 | 10.00 .394 | — |
| 1-84952-0 | 10 | 9.00 .354 | 11.18 .440 | 17.92 .705 | 11.00 .433 | 0.50 .019 |
| 1-84952-1 | 11 | 10.00 .394 | 12.18 .480 | 18.92 .745 | 12.00 .472 | — |
| 1-84952-2 | 12 | 11.00 .433 | 13.18 .519 | 19.92 .784 | 13.00 .512 | 0.50 .019 |
| 1-84952-3 | 13 | 12.00 .472 | 14.18 .558 | 20.92 .824 | 14.00 .551 | — |
| 1-84952-4 | 14 | 13.00 .512 | 15.18 .598 | 21.92 .863 | 15.00 .591 | 0.50 .019 |
| 1-84952-5 | 15 | 14.00 .551 | 16.18 .637 | 22.92 .902 | 16.00 .630 | — |
| 1-84952-6 | 16 | 15.00 .591 | 17.18 .676 | 23.92 .942 | 17.00 .669 | 0.50 .019 |
| 1-84952-7 | 17 | 16.00 .630 | 18.18 .716 | 24.92 .981 | 18.00 .709 | — |
| 1-84952-8 | 18 | 17.00 .669 | 19.18 .755 | 25.92 1.020 | 19.00 .748 | 0.50 .019 |
| 1-84952-9 | 19 | 18.00 .709 | 20.18 .794 | 26.92 1.060 | 20.00 .787 | — |
| 2-84952-0 | 20 | 19.00 .748 | 21.18 .834 | 27.92 1.099 | 21.00 .827 | 0.50 .019 |
| 2-84952-1 | 21 | 20.00 .787 | 22.18 .873 | 28.92 1.139 | 22.00 .866 | — |
| 2-84952-2 | 22 | 21.00 .827 | 23.18 .913 | 29.92 1.179 | 23.00 .906 | 0.50 .019 |
| 2-84952-3 | 23 | 22.00 .866 | 24.18 .952 | 30.92 1.217 | 24.00 .945 | — |
| 2-84952-4 | 24 | 23.00 .906 | 25.18 .991 | 31.92 1.257 | 25.00 .984 | 0.50 .019 |
| 2-84952-5 | 25 | 24.00 .945 | 26.18 1.031 | 32.92 1.296 | 26.00 1.024 | — |
| 2-84952-6 | 26 | 25.00 .984 | 27.18 1.070 | 33.92 1.335 | 27.00 1.063 | 0.50 .019 |
| 2-84952-7 | 27 | 26.00 1.024 | 28.18 1.109 | 34.92 1.375 | 28.00 1.102 | — |
| 2-84952-8 | 28 | 27.00 1.063 | 29.18 1.149 | 35.92 1.414 | 29.00 1.142 | 0.50 .019 |
| 2-84952-9 | 29 | 28.00 1.102 | 30.18 1.188 | 36.92 1.454 | 30.00 1.181 | — |
| 3-84952-0 | 30 | 29.00 1.142 | 31.18 1.228 | 37.92 1.492 | 31.00 1.221 | 0.50 .019 |

Product Dimensions (Continued)

**1.0 mm, FFC Connector,
SMT, Vertical, (Non-ZIF)**

Lead Free 84982

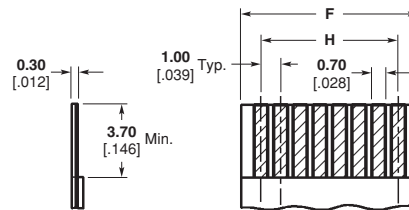
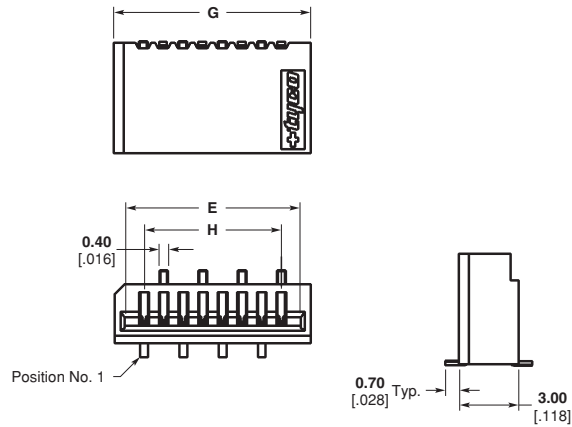
Material and Finish

Housing — Glass filled high temperature nylon, beige color

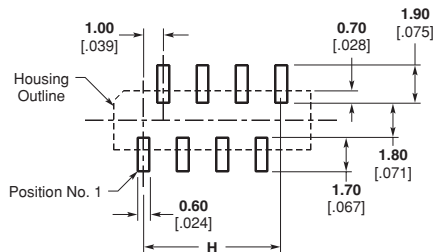
Contact — Phosphor bronze

Technical Documents

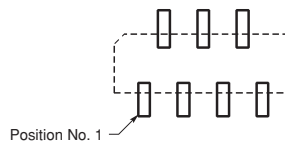
Product Specification — 108-51054



Recommended FFC/FPC Layout



**Recommended PCB Layout
For Even Position Connectors**



**Recommended PCB Layout
For Odd Position Connectors**



Electronics

1.0 mm, FFC Connector,
SMT, Vertical, (Non-ZIF)

Lead Free **84982**

Technical Documents
Product Specification — 108-51054

FPC Connector Family



Product Dimensions (Continued)

| Part Number | No. of Contacts | Dimension | | | |
|-------------|-----------------|----------------|----------------|----------------|----------------|
| | | E | F | G | H |
| 84982-4 | 4 | 5.00 .197 | 5.00 .197 | 6.00 .236 | 3.00 .118 |
| 84982-5 | 5 | 6.00 .236 | 6.00 .236 | 7.00 .276 | 4.00 .157 |
| 84982-6 | 6 | 7.00 .276 | 7.00 .276 | 8.00 .315 | 5.00 .197 |
| 84982-7 | 7 | 8.00 .315 | 8.00 .315 | 9.00 .354 | 6.00 .236 |
| 84982-8 | 8 | 9.00 .354 | 9.00 .354 | 10.00 .394 | 7.00 .276 |
| 84982-9 | 9 | 10.00 .394 | 10.00 .394 | 11.00 .433 | 8.00 .315 |
| 1-84982-0 | 10 | 11.00 .433 | 11.00 .433 | 12.00 .472 | 9.00 .354 |
| 1-84982-1 | 11 | 12.00 .472 | 12.00 .472 | 13.00 .512 | 10.00 .394 |
| 1-84982-2 | 12 | 13.00 .512 | 13.00 .512 | 14.00 .551 | 11.00 .433 |
| 1-84982-3 | 13 | 14.00 .551 | 14.00 .551 | 15.00 .591 | 12.00 .472 |
| 1-84982-4 | 14 | 15.00 .591 | 15.00 .591 | 16.00 .630 | 13.00 .512 |
| 1-84982-5 | 15 | 16.00 .630 | 16.00 .630 | 17.00 .669 | 14.00 .551 |
| 1-84982-6 | 16 | 17.00 .669 | 17.00 .669 | 18.00 .709 | 15.00 .591 |
| 1-84982-7 | 17 | 18.00 .709 | 18.00 .709 | 19.00 .748 | 16.00 .630 |
| 1-84982-8 | 18 | 19.00 .748 | 19.00 .748 | 20.00 .787 | 17.00 .669 |
| 1-84982-9 | 19 | 20.00 .787 | 20.00 .787 | 21.00 .827 | 18.00 .709 |
| 2-84982-0 | 20 | 21.00 .827 | 21.00 .827 | 22.00 .866 | 19.00 .748 |
| 2-84982-1 | 21 | 22.00 .866 | 22.00 .866 | 23.00 .906 | 20.00 .787 |
| 2-84982-2 | 22 | 23.00 .906 | 23.00 .906 | 24.00 .945 | 21.00 .827 |
| 2-84982-3 | 23 | 24.00 .945 | 24.00 .945 | 25.00 .984 | 22.00 .866 |
| 2-84982-4 | 24 | 25.00 .984 | 25.00 .984 | 26.00 1.024 | 23.00 .906 |
| 2-84982-5 | 25 | 26.00 1.024 | 26.00 1.024 | 27.00 1.063 | 24.00 .945 |
| 2-84982-6 | 26 | 27.00 1.063 | 27.00 1.063 | 28.00 1.102 | 25.00 .984 |
| 2-84982-7 | 27 | 28.00 1.102 | 28.00 1.102 | 29.00 1.142 | 26.00 1.024 |
| 2-84982-8 | 28 | 29.00 1.142 | 29.00 1.142 | 30.00 1.181 | 27.00 1.063 |
| 2-84982-9 | 29 | 30.00 1.181 | 30.00 1.181 | 31.00 1.221 | 28.00 1.102 |
| 3-84982-0 | 30 | 31.00 1.221 | 31.00 1.221 | 32.00 1.259 | 29.00 1.142 |
| 3-84982-1 | 31 | 32.00 1.259 | 32.00 1.259 | 33.00 1.299 | 30.00 1.181 |
| 3-84982-2 | 32 | 33.00 1.299 | 33.00 1.299 | 34.00 1.338 | 31.00 1.221 |
| 3-84982-3 | 33 | 34.00 1.338 | 34.00 1.338 | 35.00 1.377 | 32.00 1.259 |
| 3-84982-4 | 34 | 35.00 1.377 | 35.00 1.377 | 36.00 1.417 | 33.00 1.299 |
| 3-84982-5 | 35 | 36.00 1.417 | 36.00 1.417 | 37.00 1.456 | 34.00 1.338 |
| 3-84982-6 | 36 | 37.00 1.456 | 37.00 1.456 | 38.00 1.496 | 35.00 1.377 |
| 3-84982-7 | 37 | 38.00 1.496 | 38.00 1.496 | 39.00 1.535 | 36.00 1.417 |
| 3-84982-8 | 38 | 39.00 1.535 | 39.00 1.535 | 40.00 1.574 | 37.00 1.456 |
| 3-84982-9 | 39 | 40.00 1.574 | 40.00 1.574 | 41.00 1.614 | 38.00 1.496 |
| 4-84982-0 | 40 | 41.00 1.614 | 41.00 1.614 | 42.00 1.653 | 39.00 1.535 |

Catalog 1-1773440-6
Revised 05-06
www.tycoelectronics.com

Dimensions are in millimeters
and inches unless otherwise
specified. Values in brackets
are standard equivalents.

Dimensions are shown for
reference purposes only.
Specifications subject
to change.

USA: 1-800-522-6752
Canada: 1-905-470-4425
Mexico: 01-800-733-8926
C. America: 52-55-5-729-0425

South America: 55-11-3611-1514
Hong Kong: 852-2735-1628
Japan: 81-44-844-8013
UK: 44-141-810-8967

Product Dimensions (Continued)

1.0 mm, FFC Connector, SMT, Right Angle, Non-ZIF

Lead Free 84981

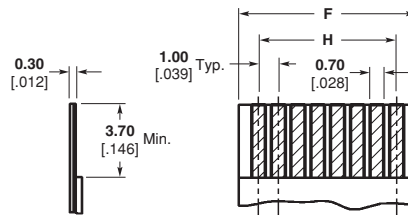
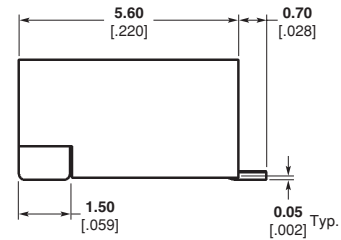
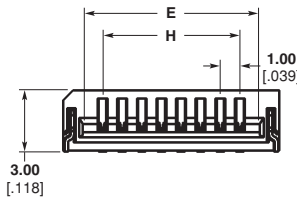
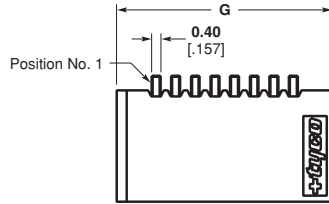
Material and Finish

Housing — Glass filled high temperature nylon, beige color

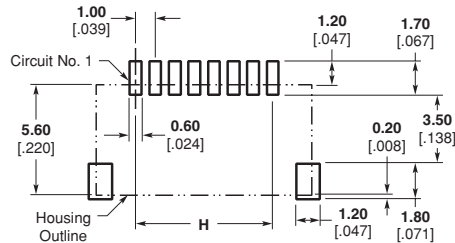
Contact — Phosphor bronze

Technical Documents

Product Specification — 108-51054



Recommended FFC/FPC Layout



Recommended PCB Layout

1.0 mm, FFC Connector,
SMT, Right Angle, Non-ZIF

Lead Free **84981**

Technical Documents
Product Specification — 108-51054

Product Dimensions (Continued)

| Part Number | No. of Contacts | Dimension | | | |
|-------------|-----------------|----------------|----------------|----------------|----------------|
| | | E | F | G | H |
| 84981-4 | 4 | 5.00 .197 | 5.00 .197 | 7.00 .276 | 3.00 .118 |
| 84981-5 | 5 | 6.00 .236 | 6.00 .236 | 8.00 .315 | 4.00 .157 |
| 84981-6 | 6 | 7.00 .276 | 7.00 .276 | 9.00 .354 | 5.00 .197 |
| 84981-7 | 7 | 8.00 .315 | 8.00 .315 | 10.00 .394 | 6.00 .236 |
| 84981-8 | 8 | 9.00 .354 | 9.00 .354 | 11.00 .433 | 7.00 .276 |
| 84981-9 | 9 | 10.00 .394 | 10.00 .394 | 12.00 .472 | 8.00 .315 |
| 1-84981-0 | 10 | 11.00 .433 | 11.00 .433 | 13.00 .512 | 9.00 .354 |
| 1-84981-1 | 11 | 12.00 .472 | 12.00 .472 | 14.00 .551 | 10.00 .394 |
| 1-84981-2 | 12 | 13.00 .512 | 13.00 .512 | 15.00 .591 | 11.00 .433 |
| 1-84981-3 | 13 | 14.00 .551 | 14.00 .551 | 16.00 .630 | 12.00 .472 |
| 1-84981-4 | 14 | 15.00 .591 | 15.00 .591 | 17.00 .669 | 13.00 .512 |
| 1-84981-5 | 15 | 16.00 .630 | 16.00 .630 | 18.00 .709 | 14.00 .551 |
| 1-84981-6 | 16 | 17.00 .669 | 17.00 .669 | 19.00 .748 | 15.00 .591 |
| 1-84981-7 | 17 | 18.00 .709 | 18.00 .709 | 20.00 .787 | 16.00 .630 |
| 1-84981-8 | 18 | 19.00 .748 | 19.00 .748 | 21.00 .827 | 17.00 .669 |
| 1-84981-9 | 19 | 20.00 .787 | 20.00 .787 | 22.00 .866 | 18.00 .709 |
| 2-84981-0 | 20 | 21.00 .827 | 21.00 .827 | 23.00 .906 | 19.00 .748 |
| 2-84981-1 | 21 | 22.00 .866 | 22.00 .866 | 24.00 .945 | 20.00 .787 |
| 2-84981-2 | 22 | 23.00 .906 | 23.00 .906 | 25.00 .984 | 21.00 .827 |
| 2-84981-3 | 23 | 24.00 .945 | 24.00 .945 | 26.00 1.024 | 22.00 .866 |
| 2-84981-4 | 24 | 25.00 .984 | 25.00 .984 | 27.00 1.063 | 23.00 .906 |
| 2-84981-5 | 25 | 26.00 1.024 | 26.00 1.024 | 28.00 1.102 | 24.00 .945 |
| 2-84981-6 | 26 | 27.00 1.063 | 27.00 1.063 | 29.00 1.142 | 25.00 .984 |
| 2-84981-7 | 27 | 28.00 1.102 | 28.00 1.102 | 30.00 1.181 | 26.00 1.024 |
| 2-84981-8 | 28 | 29.00 1.142 | 29.00 1.142 | 31.00 1.221 | 27.00 1.063 |
| 2-84981-9 | 29 | 30.00 1.181 | 30.00 1.181 | 32.00 1.259 | 28.00 1.102 |
| 3-84981-0 | 30 | 31.00 1.221 | 31.00 1.221 | 33.00 1.299 | 29.00 1.142 |
| 3-84981-1 | 31 | 32.00 1.259 | 32.00 1.259 | 34.00 1.338 | 30.00 1.181 |
| 3-84981-2 | 32 | 33.00 1.299 | 33.00 1.299 | 35.00 1.377 | 31.00 1.221 |
| 3-84981-3 | 33 | 34.00 1.338 | 34.00 1.338 | 36.00 1.417 | 32.00 1.259 |
| 3-84981-4 | 34 | 35.00 1.377 | 35.00 1.377 | 37.00 1.456 | 33.00 1.299 |
| 3-84981-5 | 35 | 36.00 1.417 | 36.00 1.417 | 38.00 1.496 | 34.00 1.338 |
| 3-84981-6 | 36 | 37.00 1.456 | 37.00 1.456 | 39.00 1.535 | 35.00 1.377 |
| 3-84981-7 | 37 | 38.00 1.496 | 38.00 1.496 | 40.00 1.574 | 36.00 1.417 |
| 3-84981-8 | 38 | 39.00 1.535 | 39.00 1.535 | 41.00 1.614 | 37.00 1.456 |
| 3-84981-9 | 39 | 40.00 1.574 | 40.00 1.574 | 42.00 1.653 | 38.00 1.496 |
| 4-84981-0 | 40 | 41.00 1.614 | 41.00 1.614 | 43.00 1.692 | 39.00 1.535 |

Product Dimensions (Continued)

**1.0 mm, FPC Connector,
Non-ZIF, SMT, Right Angle,
Bottom Contact**

Part Number 1470852
Lead Free 1734798

Material and Finish

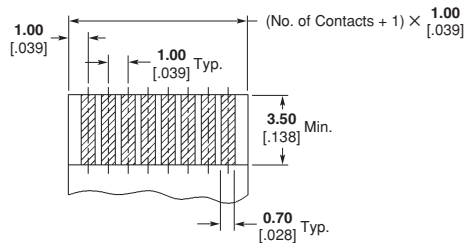
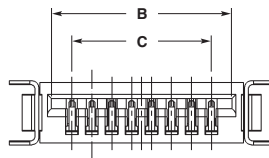
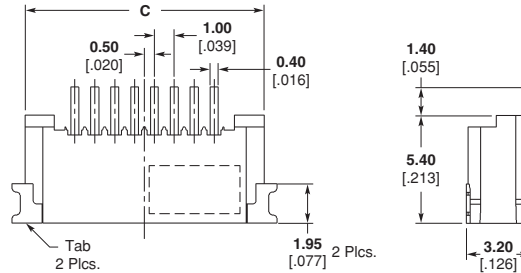
Housing — Thermoplastic, UL 94V-0, black color

Tabs — Brass

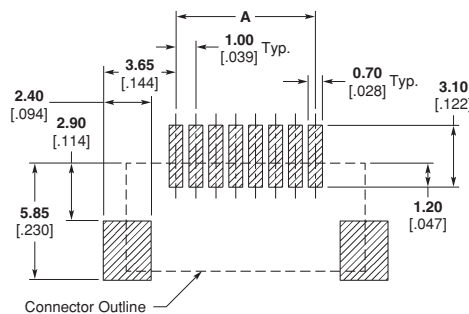
Contact — Phosphor bronze

Technical Documents

Product Specification — 108-57354



Recommended FPC Layout



Recommended PCB Layout

**1.0 mm, FPC Connector,
Non-ZIF, SMT, Right Angle,
Bottom Contact**

**Part Number 1470852
Lead Free 1734798**

Technical Documents
Product Specification — 108-57354

Product Dimensions (Continued)

| Part Number | Position | Dimension | | |
|-------------|----------|-----------------------|-----------------------|-----------------------|
| | | A | B | C |
| 1470852-4 | 4 | 3.00 .118 | 5.05 .198 | 7.00 .276 |
| 1470852-5 | 5 | 4.00 .157 | 6.05 .238 | 8.00 .315 |
| 1470852-6 | 6 | 5.00 .197 | 7.05 .277 | 9.00 .354 |
| 1470852-7 | 7 | 6.00 .236 | 8.05 .316 | 10.00 .394 |
| 1470852-8 | 8 | 7.00 .276 | 9.05 .356 | 11.00 .433 |
| 1470852-9 | 9 | 8.00 .315 | 10.05 .395 | 12.00 .472 |
| 1-1470852-0 | 10 | 9.00 .354 | 11.05 .435 | 13.00 .512 |
| 1-1470852-1 | 11 | 10.00 .394 | 12.05 .474 | 14.00 .551 |
| 1-1470852-2 | 12 | 11.00 .433 | 13.05 .513 | 15.00 .591 |
| 1-1470852-3 | 13 | 12.00 .472 | 14.05 .553 | 16.00 .630 |
| 1-1470852-4 | 14 | 13.00 .512 | 15.05 .592 | 17.00 .669 |
| 1-1470852-5 | 15 | 14.00 .551 | 16.05 .631 | 18.00 .709 |
| 1-1470852-6 | 16 | 15.00 .591 | 17.05 .671 | 19.00 .748 |
| 1-1470852-7 | 17 | 16.00 .630 | 18.05 .710 | 20.00 .787 |
| 1-1470852-8 | 18 | 17.00 .669 | 19.05 .750 | 21.00 .827 |
| 1-1470852-9 | 19 | 18.00 .709 | 20.05 .788 | 22.00 .866 |
| 2-1470852-0 | 20 | 19.00 .748 | 21.05 .828 | 23.00 .906 |
| 2-1470852-1 | 21 | 20.00 .787 | 22.05 .857 | 24.00 .945 |
| 2-1470852-2 | 22 | 21.00 .827 | 23.05 .907 | 25.00 .984 |
| 2-1470852-3 | 23 | 22.00 .866 | 24.05 .946 | 26.00 1.024 |
| 2-1470852-4 | 24 | 23.00 .906 | 25.05 .986 | 27.00 1.063 |
| 2-1470852-5 | 25 | 24.00 .945 | 26.05 1.025 | 28.00 1.102 |
| 2-1470852-6 | 26 | 25.00 .984 | 27.05 1.064 | 29.00 1.142 |
| 2-1470852-7 | 27 | 26.00 1.024 | 28.05 1.104 | 30.00 1.181 |
| 2-1470852-8 | 28 | 27.00 1.063 | 29.05 1.143 | 31.00 1.220 |
| 2-1470852-9 | 29 | 28.00 1.102 | 30.05 1.183 | 32.00 1.259 |
| 3-1470852-0 | 30 | 29.00 1.142 | 31.05 1.222 | 33.00 1.299 |

Product Dimensions (Continued)

1.0 mm, FFC Connector, Through-Hole, Vertical

Lead Free 84984

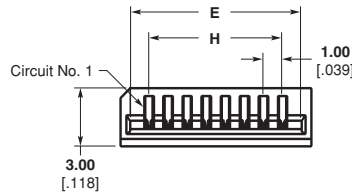
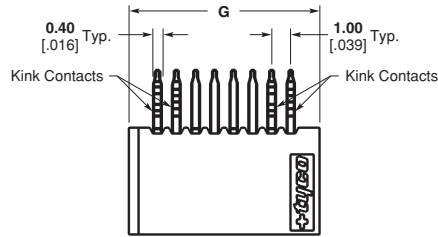
Material and Finish

Housing — Glass filled PBT, white color

Contact — Phosphor bronze

Technical Documents

Product Specification — 108-51058



Recommended FPC Layout



**Recommended PCB Layout
1.60 [0.063] Thickness
(For Even Position Connectors)**



**Recommended PCB Layout
1.60 [0.063] Thickness
(For Odd Position Connectors)**

1.0 mm, FFC Connector,
Through-Hole, Vertical

Lead Free **84984**

Technical Documents
Product Specification — 108-51058

Product Dimensions (Continued)

| Part Number | No. of Contacts | Dimension | | | |
|-------------|-----------------|----------------|----------------|----------------|----------------|
| | | E | F | G | H |
| 84984-4 | 4 | 5.00 .197 | 5.00 .197 | 6.00 .236 | 3.00 .118 |
| 84984-5 | 5 | 6.00 .236 | 6.00 .236 | 7.00 .276 | 4.00 .157 |
| 84984-6 | 6 | 7.00 .276 | 7.00 .276 | 8.00 .315 | 5.00 .197 |
| 84984-7 | 7 | 8.00 .315 | 8.00 .315 | 9.00 .354 | 6.00 .236 |
| 84984-8 | 8 | 9.00 .354 | 9.00 .354 | 10.00 .394 | 7.00 .276 |
| 84984-9 | 9 | 10.00 .394 | 10.00 .394 | 11.00 .433 | 8.00 .315 |
| 1-84984-0 | 10 | 11.00 .433 | 11.00 .433 | 12.00 .472 | 9.00 .354 |
| 1-84984-1 | 11 | 12.00 .472 | 12.00 .472 | 13.00 .512 | 10.00 .394 |
| 1-84984-2 | 12 | 13.00 .512 | 13.00 .512 | 14.00 .551 | 11.00 .433 |
| 1-84984-3 | 13 | 14.00 .551 | 14.00 .551 | 15.00 .591 | 12.00 .472 |
| 1-84984-4 | 14 | 15.00 .591 | 15.00 .591 | 16.00 .630 | 13.00 .512 |
| 1-84984-5 | 15 | 16.00 .630 | 16.00 .630 | 17.00 .669 | 14.00 .551 |
| 1-84984-6 | 16 | 17.00 .669 | 17.00 .669 | 18.00 .709 | 15.00 .591 |
| 1-84984-7 | 17 | 18.00 .709 | 18.00 .709 | 19.00 .748 | 16.00 .630 |
| 1-84984-8 | 18 | 19.00 .748 | 19.00 .748 | 20.00 .787 | 17.00 .669 |
| 1-84984-9 | 19 | 20.00 .787 | 20.00 .787 | 21.00 .827 | 18.00 .709 |
| 2-84984-0 | 20 | 21.00 .827 | 21.00 .827 | 22.00 .866 | 19.00 .748 |
| 2-84984-1 | 21 | 22.00 .866 | 22.00 .866 | 23.00 .906 | 20.00 .787 |
| 2-84984-2 | 22 | 23.00 .906 | 23.00 .906 | 24.00 .945 | 21.00 .827 |
| 2-84984-3 | 23 | 24.00 .945 | 24.00 .945 | 25.00 .984 | 22.00 .866 |
| 2-84984-4 | 24 | 25.00 .984 | 25.00 .984 | 26.00 1.024 | 23.00 .906 |
| 2-84984-5 | 25 | 26.00 1.024 | 26.00 1.024 | 27.00 1.063 | 24.00 .945 |
| 2-84984-6 | 26 | 27.00 1.063 | 27.00 1.063 | 28.00 1.102 | 25.00 .984 |
| 2-84984-7 | 27 | 28.00 1.102 | 28.00 1.102 | 29.00 1.142 | 26.00 1.024 |
| 2-84984-8 | 28 | 29.00 1.142 | 29.00 1.142 | 30.00 1.181 | 27.00 1.063 |
| 2-84984-9 | 29 | 30.00 1.181 | 30.00 1.181 | 31.00 1.221 | 28.00 1.102 |
| 3-84984-0 | 30 | 31.00 1.221 | 31.00 1.221 | 32.00 1.259 | 29.00 1.142 |
| 3-84984-1 | 31 | 32.00 1.259 | 32.00 1.259 | 33.00 1.299 | 30.00 1.181 |
| 3-84984-2 | 32 | 33.00 1.299 | 33.00 1.299 | 34.00 1.338 | 31.00 1.221 |
| 3-84984-3 | 33 | 34.00 1.338 | 34.00 1.338 | 35.00 1.377 | 32.00 1.259 |
| 3-84984-4 | 34 | 35.00 1.377 | 35.00 1.377 | 36.00 1.417 | 33.00 1.299 |
| 3-84984-5 | 35 | 36.00 1.417 | 36.00 1.417 | 37.00 1.456 | 34.00 1.338 |
| 3-84984-6 | 36 | 37.00 1.456 | 37.00 1.456 | 38.00 1.496 | 35.00 1.377 |
| 3-84984-7 | 37 | 38.00 1.496 | 38.00 1.496 | 39.00 1.535 | 36.00 1.417 |
| 3-84984-8 | 38 | 39.00 1.535 | 39.00 1.535 | 40.00 1.574 | 37.00 1.456 |
| 3-84984-9 | 39 | 40.00 1.574 | 40.00 1.574 | 41.00 1.614 | 38.00 1.496 |
| 4-84984-0 | 40 | 41.00 1.614 | 41.00 1.614 | 42.00 1.653 | 39.00 1.535 |

Product Dimensions (Continued)

1.0 mm, FFC Connector, Through-Hole, Right Angle

Lead Free 84983

Material and Finish

Housing — Glass filled PBT, white color

Contact — Phosphor bronze

Technical Documents

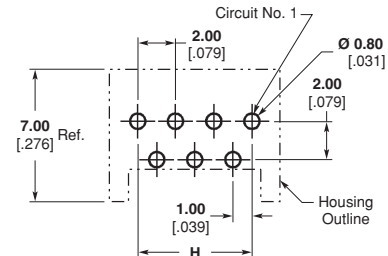
Product Specification — 108-51058



Recommended FPC Layout



**Recommended PCB Layout
1.60 [.063] Thickness
(For Even Position Connectors)**



**Recommended PCB Layout
1.60 [.063] Thickness
(For Odd Position Connectors)**

**1.0 mm, FFC Connector,
Through-Hole, Right Angle,
Top Contact**

Lead Free 84983

**Technical Documents
Product Specification — 108-51058**

Product Dimensions (Continued)

| Part Number | No. of Contacts | Dimension | | | |
|-------------|-----------------|----------------|----------------|----------------|----------------|
| | | E | F | G | H |
| 84983-4 | 4 | 5.00 .197 | 5.00 .197 | 6.00 .236 | 3.00 .118 |
| 84983-5 | 5 | 6.00 .236 | 6.00 .236 | 7.00 .276 | 4.00 .157 |
| 84983-6 | 6 | 7.00 .276 | 7.00 .276 | 8.00 .315 | 5.00 .197 |
| 84983-7 | 7 | 8.00 .315 | 8.00 .315 | 9.00 .354 | 6.00 .236 |
| 84983-8 | 8 | 9.00 .354 | 9.00 .354 | 10.00 .394 | 7.00 .276 |
| 84983-9 | 9 | 10.00 .394 | 10.00 .394 | 11.00 .433 | 8.00 .315 |
| 1-84983-0 | 10 | 11.00 .433 | 11.00 .433 | 12.00 .472 | 9.00 .354 |
| 1-84983-1 | 11 | 12.00 .472 | 12.00 .472 | 13.00 .512 | 10.00 .394 |
| 1-84983-2 | 12 | 13.00 .512 | 13.00 .512 | 14.00 .551 | 11.00 .433 |
| 1-84983-3 | 13 | 14.00 .551 | 14.00 .551 | 15.00 .591 | 12.00 .472 |
| 1-84983-4 | 14 | 15.00 .591 | 15.00 .591 | 16.00 .630 | 13.00 .512 |
| 1-84983-5 | 15 | 16.00 .630 | 16.00 .630 | 17.00 .669 | 14.00 .551 |
| 1-84983-6 | 16 | 17.00 .669 | 17.00 .669 | 18.00 .709 | 15.00 .591 |
| 1-84983-7 | 17 | 18.00 .709 | 18.00 .709 | 19.00 .748 | 16.00 .630 |
| 1-84983-8 | 18 | 19.00 .748 | 19.00 .748 | 20.00 .787 | 17.00 .669 |
| 1-84983-9 | 19 | 20.00 .787 | 20.00 .787 | 21.00 .827 | 18.00 .709 |
| 2-84983-0 | 20 | 21.00 .827 | 21.00 .827 | 22.00 .866 | 19.00 .748 |
| 2-84983-1 | 21 | 22.00 .866 | 22.00 .866 | 23.00 .906 | 20.00 .787 |
| 2-84983-2 | 22 | 23.00 .906 | 23.00 .906 | 24.00 .945 | 21.00 .827 |
| 2-84983-3 | 23 | 24.00 .945 | 24.00 .945 | 25.00 .984 | 22.00 .866 |
| 2-84983-4 | 24 | 25.00 .984 | 25.00 .984 | 26.00 1.024 | 23.00 .906 |
| 2-84983-5 | 25 | 26.00 1.024 | 26.00 1.024 | 27.00 1.063 | 24.00 .945 |
| 2-84983-6 | 26 | 27.00 1.063 | 27.00 1.063 | 28.00 1.102 | 25.00 .984 |
| 2-84983-7 | 27 | 28.00 1.102 | 28.00 1.102 | 29.00 1.142 | 26.00 1.024 |
| 2-84983-8 | 28 | 29.00 1.142 | 29.00 1.142 | 30.00 1.181 | 27.00 1.063 |
| 2-84983-9 | 29 | 30.00 1.181 | 30.00 1.181 | 31.00 1.221 | 28.00 1.102 |
| 3-84983-0 | 30 | 31.00 1.221 | 31.00 1.221 | 32.00 1.259 | 29.00 1.142 |
| 3-84983-1 | 31 | 32.00 1.259 | 32.00 1.259 | 33.00 1.299 | 30.00 1.181 |
| 3-84983-2 | 32 | 33.00 1.299 | 33.00 1.299 | 34.00 1.338 | 31.00 1.221 |
| 3-84983-3 | 33 | 34.00 1.338 | 34.00 1.338 | 35.00 1.377 | 32.00 1.259 |
| 3-84983-4 | 34 | 35.00 1.377 | 35.00 1.377 | 36.00 1.417 | 33.00 1.299 |
| 3-84983-5 | 35 | 36.00 1.417 | 36.00 1.417 | 37.00 1.456 | 34.00 1.338 |
| 3-84983-6 | 36 | 37.00 1.456 | 37.00 1.456 | 38.00 1.496 | 35.00 1.377 |
| 3-84983-7 | 37 | 38.00 1.496 | 38.00 1.496 | 39.00 1.535 | 36.00 1.417 |
| 3-84983-8 | 38 | 39.00 1.535 | 39.00 1.535 | 40.00 1.574 | 37.00 1.456 |
| 3-84983-9 | 39 | 40.00 1.574 | 40.00 1.574 | 41.00 1.614 | 38.00 1.496 |
| 4-84983-0 | 40 | 41.00 1.614 | 41.00 1.614 | 42.00 1.653 | 39.00 1.535 |

Product Dimensions (Continued)

**1.0 mm, FPC Connector,
Non-ZIF, Right-Angle,
Bottom Contact, Type B**

Part Number 1470790
Lead Free 1734779

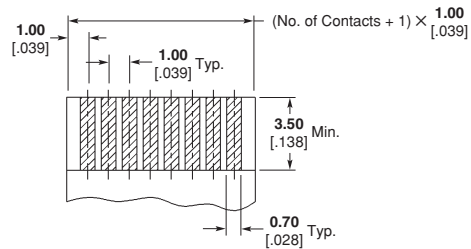
Material and Finish

Housing — Thermoplastic, UL 94V-0,
black color

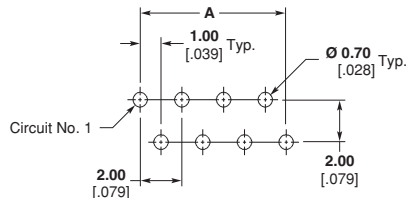
Contacts — Phosphor bronze

Technical Documents

Product Specification — 108-57354



Recommended FPC Layout



Recommended PCB Layout

**1.0 mm, FPC Connector,
Non-ZIF, Right Angle,
Bottom Contact, Type B**

**Part Number 1470790
Lead Free 1734779**

Technical Documents
Product Specification — 108-57354

Product Dimensions (Continued)

| Part Number | No. of Contacts | Dimension | | |
|-------------|-----------------|-----------------------|-----------------------|-----------------------|
| | | A | B | C |
| 1470790-4 | 4 | 3.00 .118 | 5.05 .198 | 7.00 .276 |
| 1470790-5 | 5 | 4.00 .157 | 6.05 .238 | 8.00 .315 |
| 1470790-6 | 6 | 5.00 .197 | 7.05 .277 | 9.00 .354 |
| 1470790-7 | 7 | 6.00 .236 | 8.05 .316 | 10.00 .394 |
| 1470790-8 | 8 | 7.00 .276 | 9.05 .356 | 11.00 .433 |
| 1470790-9 | 9 | 8.00 .315 | 10.05 .395 | 12.00 .472 |
| 1-1470790-0 | 10 | 9.00 .354 | 11.05 .435 | 13.00 .512 |
| 1-1470790-1 | 11 | 10.00 .394 | 12.05 .474 | 14.00 .551 |
| 1-1470790-2 | 12 | 11.00 .433 | 13.05 .513 | 15.00 .591 |
| 1-1470790-3 | 13 | 12.00 .472 | 14.05 .553 | 16.00 .630 |
| 1-1470790-4 | 14 | 13.00 .512 | 15.05 .592 | 17.00 .669 |
| 1-1470790-5 | 15 | 14.00 .551 | 16.05 .631 | 18.00 .709 |
| 1-1470790-6 | 16 | 15.00 .591 | 17.05 .671 | 19.00 .748 |
| 1-1470790-7 | 17 | 16.00 .630 | 18.05 .710 | 20.00 .787 |
| 1-1470790-8 | 18 | 17.00 .669 | 19.05 .750 | 21.00 .827 |
| 1-1470790-9 | 19 | 18.00 .709 | 20.05 .788 | 22.00 .866 |
| 2-1470790-0 | 20 | 19.00 .748 | 21.05 .828 | 23.00 .906 |
| 2-1470790-1 | 21 | 20.00 .787 | 22.05 .857 | 24.00 .945 |
| 2-1470790-2 | 22 | 21.00 .827 | 23.05 .907 | 25.00 .984 |
| 2-1470790-3 | 23 | 22.00 .866 | 24.05 .946 | 26.00 1.024 |
| 2-1470790-4 | 24 | 23.00 .906 | 25.05 .986 | 27.00 1.063 |
| 2-1470790-5 | 25 | 24.00 .945 | 26.05 1.025 | 28.00 1.102 |
| 2-1470790-6 | 26 | 25.00 .984 | 27.05 1.064 | 29.00 1.142 |
| 2-1470790-7 | 27 | 26.00 1.024 | 28.05 1.104 | 30.00 1.181 |
| 2-1470790-8 | 28 | 27.00 1.063 | 29.05 1.143 | 31.00 1.220 |
| 2-1470790-9 | 29 | 28.00 1.102 | 30.05 1.183 | 32.00 1.259 |
| 3-1470790-0 | 30 | 29.00 1.142 | 31.05 1.222 | 33.00 1.299 |

Product Dimensions (Continued)

1.25 mm, FFC Connector, Vertical

Lead Free 84534

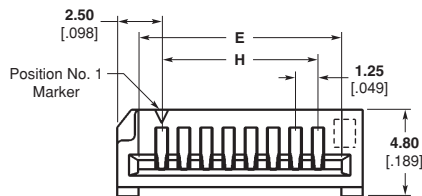
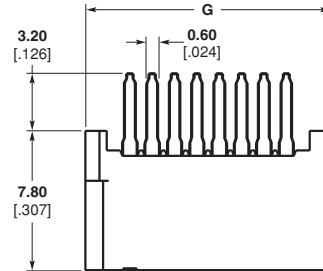
Material and Finish

Housing — Glass filled PBT, white color

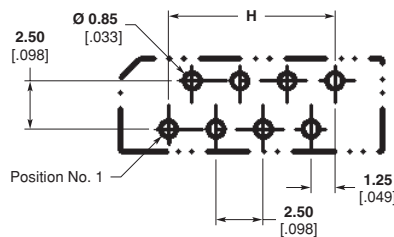
Contact — Phosphor bronze

Technical Documents

Product Specification — 108-51021



Recommended FFC Layout



Recommended PCB Layout

1.25 mm, FFC Connector,
Vertical

Lead Free **84534**

Technical Documents
Product Specification — 108-51021

Product Dimensions (Continued)

| Part Number | No. of Contacts | Dimension | | | |
|-------------|-----------------|----------------|----------------|----------------|----------------|
| | | E | F | G | H |
| 84534-4 | 4 | 6.40 .251 | 6.25 .246 | 8.75 .344 | 3.75 .147 |
| 84534-5 | 5 | 7.65 .301 | 7.50 .295 | 10.00 .393 | 5.00 .196 |
| 84534-6 | 6 | 8.90 .350 | 8.75 .344 | 11.25 .442 | 6.25 .246 |
| 84534-7 | 7 | 10.15 .399 | 10.00 .393 | 12.50 .492 | 7.50 .295 |
| 84534-8 | 8 | 11.40 .448 | 11.25 .442 | 13.75 .541 | 8.75 .344 |
| 84534-9 | 9 | 12.65 .498 | 12.50 .492 | 15.00 .590 | 10.00 .393 |
| 1-84534-0 | 10 | 13.90 .547 | 13.75 .541 | 16.25 .639 | 11.25 .442 |
| 1-84534-1 | 11 | 15.15 .596 | 15.00 .590 | 17.50 .688 | 12.50 .492 |
| 1-84534-2 | 12 | 16.40 .645 | 16.25 .639 | 18.75 .738 | 13.75 .541 |
| 1-84534-3 | 13 | 17.65 .694 | 17.50 .688 | 20.00 .787 | 15.00 .590 |
| 1-84534-4 | 14 | 18.90 .744 | 18.75 .738 | 21.25 .836 | 16.25 .639 |
| 1-84534-5 | 15 | 20.15 .793 | 20.00 .787 | 22.50 .885 | 17.50 .688 |
| 1-84534-6 | 16 | 21.40 .842 | 21.25 .836 | 23.75 .935 | 18.75 .738 |
| 1-84534-7 | 17 | 22.65 .891 | 22.50 .885 | 25.00 .984 | 20.00 .787 |
| 1-84534-8 | 18 | 23.90 .940 | 23.75 .935 | 26.25 1.033 | 21.25 .836 |
| 1-84534-9 | 19 | 25.15 .990 | 25.00 .984 | 27.50 1.082 | 22.50 .885 |
| 2-84534-0 | 20 | 26.40 1.039 | 26.25 1.033 | 28.75 1.131 | 23.75 .935 |
| 2-84534-1 | 21 | 27.65 1.088 | 27.50 1.082 | 30.00 1.181 | 25.00 .984 |
| 2-84534-2 | 22 | 28.90 1.137 | 28.75 1.131 | 31.25 1.230 | 26.25 1.033 |
| 2-84534-3 | 23 | 30.15 1.187 | 30.00 1.181 | 32.50 1.279 | 27.50 1.082 |
| 2-84534-4 | 24 | 31.40 1.236 | 31.25 1.230 | 33.75 1.328 | 28.75 1.131 |
| 2-84534-5 | 25 | 32.65 1.285 | 32.50 1.279 | 35.00 1.377 | 30.00 1.181 |
| 2-84534-6 | 26 | 33.90 1.334 | 33.75 1.328 | 36.25 1.427 | 31.25 1.230 |
| 2-84534-7 | 27 | 35.15 1.383 | 35.00 1.377 | 37.50 1.476 | 32.50 1.279 |
| 2-84534-8 | 28 | 36.40 1.433 | 36.25 1.427 | 38.75 1.525 | 33.75 1.328 |
| 2-84534-9 | 29 | 37.65 1.482 | 37.50 1.476 | 40.00 1.574 | 35.00 1.377 |
| 3-84534-0 | 30 | 38.90 1.531 | 38.75 1.525 | 41.25 1.624 | 36.25 1.427 |
| 3-84534-1 | 31 | 40.15 1.580 | 40.00 1.574 | 42.50 1.673 | 37.50 1.476 |
| 3-84534-2 | 32 | 41.40 1.629 | 41.25 1.624 | 43.75 1.722 | 38.75 1.525 |
| 3-84534-3 | 33 | 42.65 1.679 | 42.50 1.673 | 45.00 1.771 | 40.00 1.574 |
| 3-84534-4 | 34 | 43.90 1.728 | 43.75 1.722 | 46.25 1.820 | 41.25 1.624 |
| 3-84534-5 | 35 | 45.15 1.777 | 45.00 1.771 | 47.50 1.870 | 42.50 1.673 |
| 3-84534-6 | 36 | 46.40 1.826 | 46.25 1.820 | 48.75 1.919 | 43.75 1.722 |
| 3-84534-7 | 37 | 47.65 1.875 | 47.50 1.870 | 50.00 1.968 | 45.00 1.771 |
| 3-84534-8 | 38 | 48.90 1.925 | 48.75 1.919 | 51.25 2.017 | 46.25 1.820 |
| 3-84534-9 | 39 | 50.15 1.974 | 50.00 1.968 | 52.50 2.066 | 47.50 1.870 |
| 4-84534-0 | 40 | 51.40 2.023 | 51.25 2.017 | 53.75 2.116 | 48.75 1.919 |

Product Dimensions (Continued)

**1.25 mm, FFC Connector,
Right Angle, Top Contact
Non-ZIF**

Lead Free 84533

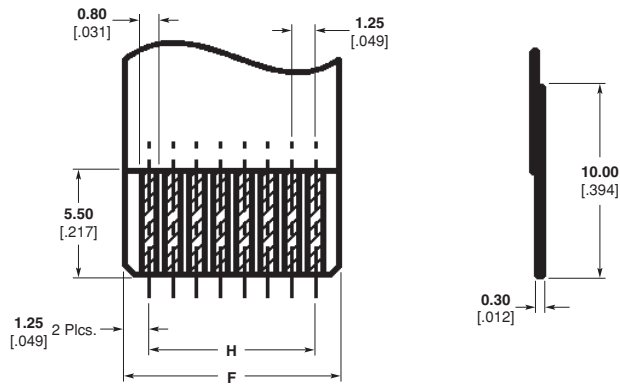
Material and Finish

Housing — Glass filled PBT, white color

Contact — Post plated tin phosphor bronze

Technical Documents

Product Specification — 108-51021



Recommended FFC Layout



Recommended PCB Layout

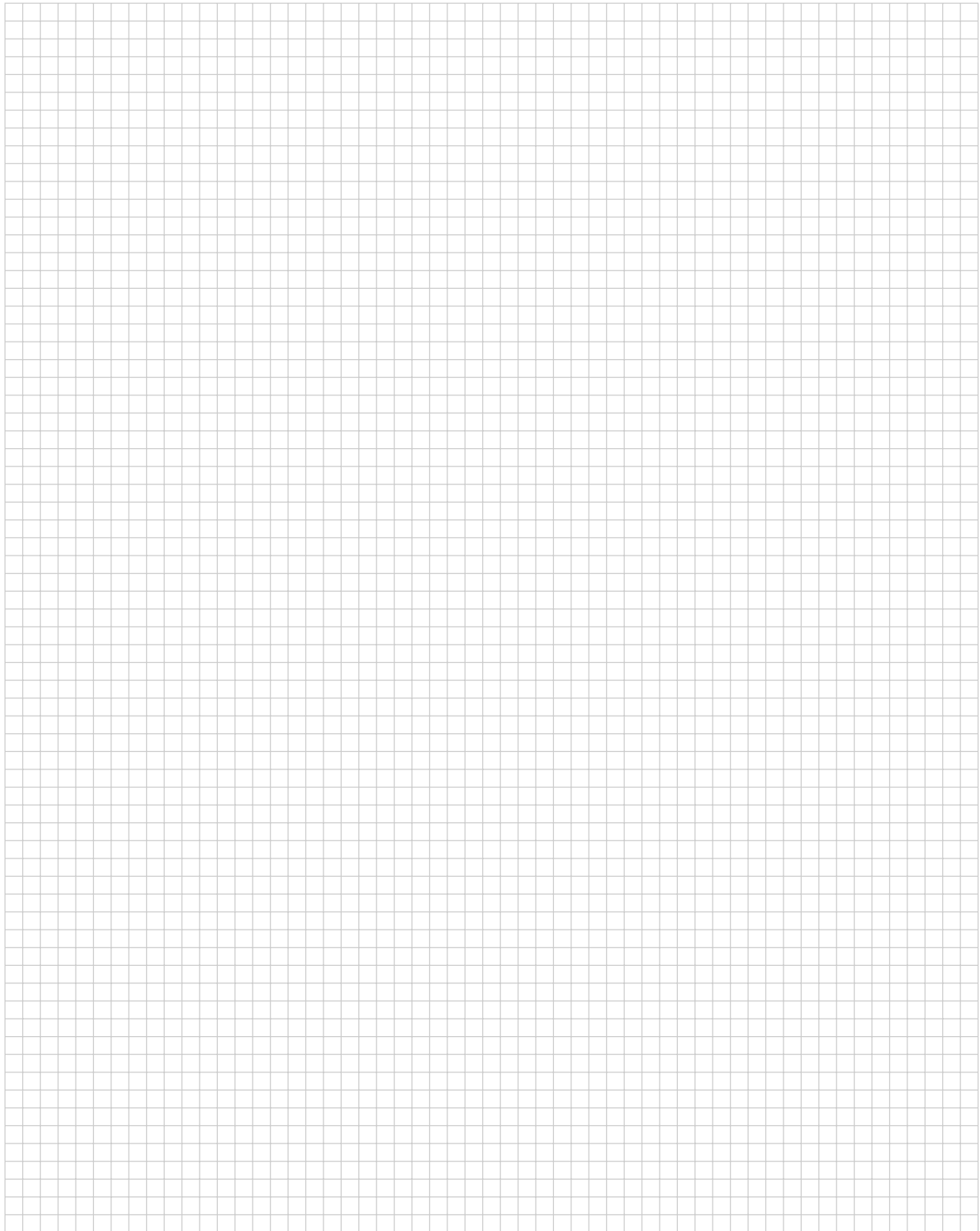
**1.25 mm, FFC Connector,
Right Angle, Top Contact
Non-ZIF**

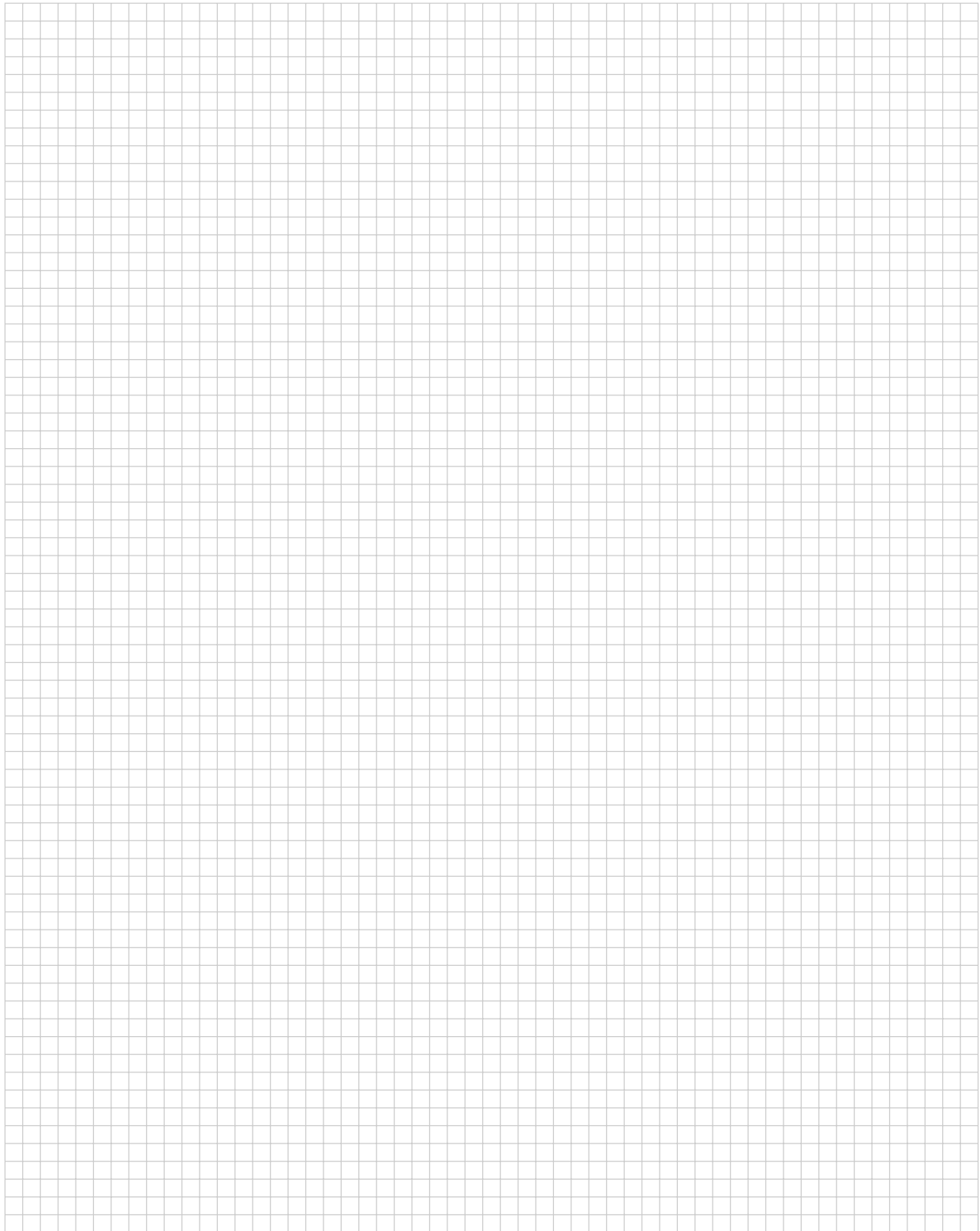
Lead Free 84533

Technical Documents
Product Specification — 108-51021

Product Dimensions (Continued)

| Part Number | No. of Contacts | Dimension | | | |
|-------------|-----------------|----------------|----------------|----------------|----------------|
| | | E | F | G | H |
| 84533-4 | 4 | 6.40 .251 | 6.25 .246 | 8.75 .344 | 3.75 .147 |
| 84533-5 | 5 | 7.65 .301 | 7.50 .295 | 10.00 .393 | 5.00 .196 |
| 84533-6 | 6 | 8.90 .350 | 8.75 .344 | 11.25 .442 | 6.25 .246 |
| 84533-7 | 7 | 10.15 .399 | 10.00 .393 | 12.50 .492 | 7.50 .295 |
| 84533-8 | 8 | 11.40 .448 | 11.25 .442 | 13.75 .541 | 8.75 .344 |
| 84533-9 | 9 | 12.65 .498 | 12.50 .492 | 15.00 .590 | 10.00 .393 |
| 1-84533-0 | 10 | 13.90 .547 | 13.75 .541 | 16.25 .639 | 11.25 .442 |
| 1-84533-1 | 11 | 15.15 .596 | 15.00 .590 | 17.50 .688 | 12.50 .492 |
| 1-84533-2 | 12 | 16.40 .645 | 16.25 .639 | 18.75 .738 | 13.75 .541 |
| 1-84533-3 | 13 | 17.65 .694 | 17.50 .688 | 20.00 .787 | 15.00 .590 |
| 1-84533-4 | 14 | 18.90 .744 | 18.75 .738 | 21.25 .836 | 16.25 .639 |
| 1-84533-5 | 15 | 20.15 .793 | 20.00 .787 | 22.50 .885 | 17.50 .688 |
| 1-84533-6 | 16 | 21.40 .842 | 21.25 .836 | 23.75 .935 | 18.75 .738 |
| 1-84533-7 | 17 | 22.65 .891 | 22.50 .885 | 25.00 .984 | 20.00 .787 |
| 1-84533-8 | 18 | 23.90 .940 | 23.75 .935 | 26.25 1.033 | 21.25 .836 |
| 1-84533-9 | 19 | 25.15 .990 | 25.00 .984 | 27.50 1.082 | 22.50 .885 |
| 2-84533-0 | 20 | 26.40 1.039 | 26.25 1.033 | 28.75 1.131 | 23.75 .935 |
| 2-84533-1 | 21 | 27.65 1.088 | 27.50 1.082 | 30.00 1.181 | 25.00 .984 |
| 2-84533-2 | 22 | 28.90 1.137 | 28.75 1.131 | 31.25 1.230 | 26.25 1.033 |
| 2-84533-3 | 23 | 30.15 1.187 | 30.00 1.181 | 32.50 1.279 | 27.50 1.082 |
| 2-84533-4 | 24 | 31.40 1.236 | 31.25 1.230 | 33.75 1.328 | 28.75 1.131 |
| 2-84533-5 | 25 | 32.65 1.285 | 32.50 1.279 | 35.00 1.377 | 30.00 1.181 |
| 2-84533-6 | 26 | 33.90 1.334 | 33.75 1.328 | 36.25 1.427 | 31.25 1.230 |
| 2-84533-7 | 27 | 35.15 1.383 | 35.00 1.377 | 37.50 1.476 | 32.50 1.279 |
| 2-84533-8 | 28 | 36.40 1.433 | 36.25 1.427 | 38.75 1.525 | 33.75 1.328 |
| 2-84533-9 | 29 | 37.65 1.482 | 37.50 1.476 | 40.00 1.574 | 35.00 1.377 |
| 3-84533-0 | 30 | 38.90 1.531 | 38.75 1.525 | 41.25 1.624 | 36.25 1.427 |
| 3-84533-1 | 31 | 40.15 1.580 | 40.00 1.574 | 42.50 1.673 | 37.50 1.476 |
| 3-84533-2 | 32 | 41.40 1.629 | 41.25 1.624 | 43.75 1.722 | 38.75 1.525 |
| 3-84533-3 | 33 | 42.65 1.679 | 42.50 1.673 | 45.00 1.771 | 40.00 1.574 |
| 3-84533-4 | 34 | 43.90 1.728 | 43.75 1.722 | 46.25 1.820 | 41.25 1.624 |
| 3-84533-5 | 35 | 45.15 1.777 | 45.00 1.771 | 47.50 1.870 | 42.50 1.673 |
| 3-84533-6 | 36 | 46.40 1.826 | 46.25 1.820 | 48.75 1.919 | 43.75 1.722 |
| 3-84533-7 | 37 | 47.65 1.875 | 47.50 1.870 | 50.00 1.968 | 45.00 1.771 |
| 3-84533-8 | 38 | 48.90 1.925 | 48.75 1.919 | 51.25 2.017 | 46.25 1.820 |
| 3-84533-9 | 39 | 50.15 1.974 | 50.00 1.968 | 52.50 2.066 | 47.50 1.870 |
| 4-84533-0 | 40 | 51.40 2.023 | 51.25 2.017 | 53.75 2.116 | 48.75 1.919 |





Electronics

Americas

Argentina – Buenos Aires
 Phone: +54-11-4733-2200
 Fax: +54-11-4733-2211

Brasil – São Paulo
 Phone: +55-11-3611-1311
 Fax: +55-11-3611-0397

Canada – Markham
 Phone: +905-475-6222
 Fax: +905-474-5520

**Product Information Center:
 (Technical Support)**
 Phone: +905-470-4425
 Fax: +905-474-5525

Colombia – Bogota
 Phone: +57-1-231-9398
 Fax: +57-1-660-0206

Mexico – Mexico City
 Phone: +52-5-729-0400
 Fax: +52-5-361-8545

United States – Harrisburg, PA
 Phone: +717-564-0100
 Fax: +717-986-7575

**Product Information Center:
 (Technical Support)**
 Phone: +800-522-6752
 Fax: +717-986-7575

**For Latin/South American
 Countries not shown**
 Phone: +54-11-4733-2015
 Fax: +54-11-4733-2083

Asia/Pacific

Australia – Sydney
 Phone: +61-2-9554-2600
 Fax: +61-2-9502-2556
**Product Information Center:
 (Technical Support)**
 Phone: +61-2-9840-8200
 Fax: +61-2-9634-6188

India – Bangalore
 Phone: +91-80-285-40800
 Fax: +91-80-285-40820

Indonesia – Jakarta
 Phone: +65-6482-0311
 Fax: +65-6482-1012

Japan – Toyko
 Phone: +81-44-844-8111
 Fax: +81-44-812-3207

**Product Information Center:
 (Technical Support)**
 Phone: +81-44-844-8013
 Fax: +81-44-812-3200

Raychem Products
 Phone: +81-44-900-5102
 Fax: +81-44-5025-5027

Korea – Seoul
 Phone: +82-2-3415-4500
 Fax: +82-2-3486-3810

Malaysia – Kuala Lumpur
 Phone: +60-3-78053055
 Fax: +60-3-78053066

New Zealand – Auckland
 Phone: +64-9-634-4580
 Fax: +64-9-634-4586

Philippines – Makati City
 Phone: +632-848-0171
 Fax: +632-867-8661

People's Republic of China
 Hong Kong
 Phone: +852-2735-1628
 Fax: +852-2735-0243

Shanghai
 Phone: +86-21-53838188/64850602
 Fax: +86-21-53838018/54260180

Shunde
 Phone: +86-765-775-1368
 Fax: +86-765-775-2823

Europe/Middle East/Africa

Austria – Vienna
 Phone: +43-190-560-0
 Fax: +43-190-560-1333

Belgium – Kessel-Lo
 Phone: +32-16-35-23-00
 Fax: +32-16-35-23-52

Bulgaria – Sofia
 Phone: +359-2-971-2152
 Fax: +359-2-971-2153

Czech Republic – Kurim
 Phone: +420-5-41-162-111
 Fax: +420-5-41-162-223

Denmark – Viby J
 Phone: +45-70-15-52-00
 Fax: +45-43-44-14-14

Egypt – Cairo
 Phone: +20-2-417-76-47
 Fax: +20-2-419-23-34

Estonia – Tallinn
 Phone: +372-65-05-474
 Fax: +372-65-05-470

Finland – Helsinki
 Phone: +358-95-12-34-20
 Fax: +358-95-12-34-250

France – Cergy-Pontoise
 Phone: +33-1-3420-8888
 Fax: +33-1-3420-8600

**Product Information Center:
 (Technical Support)**
 Phone: +33-1-3420-8943
 Fax: +33-1-3420-8623

France
Tyco Electronics Export –
 St Ouen L'Aumone
 Phone: +33-1-3440-7200
 Fax: +33-1-3440-7220 or
 +33-1-3440-7230

Germany – Bensheim
 Phone: +49-6251-133-0
 Fax: +49-6251-133-1600

**Product Information Center:
 (Technical Support)**
 Phone: +49-6251-133-1999
 Fax: +49-6251-133-1988

Germany – Langen
 Phone: +49-6103-709-0
 Fax: +49-6103-709-1223

Germany – Speyer
 Phone: +49-6232-30-0
 Fax: +49-6232-30-2243

Germany
HTS Division – Neunkirchen
 Phone: +49-2247-305-0
 Fax: +49-2247-305-122

Great Britain –
 Stanmore Middlesex
 Phone: +44-208-954-2356
 Fax: +44-208-954-6234

**Product Information Center:
 (Technical Support)**
 Freephone GB: 0800-267-666
 Phone: +44-141 810 8968
 Fax: +44-141 810 8971

Great Britain – Dorcan, Swindon
Raychem Products
 Phone: +44-1793-528171
 Fax: +44-1793-572516

Greece – Athens
 Phone: +30-1-9370-396/397
 Fax: +30-1-9370-655

Hungary – Budapest
 Phone: +36-1-289-1000
 Fax: +36-1-289-1010

Ireland – Dublin
 Phone: +353-1-820-3000
 Fax: +353-1-820-9790

Israel – Yokneam
 Phone: +972-4-959-0508
 Fax: +972-4-959-0506

Italy – Collegno (Torino)
 Phone: +39-011-4012-111
 Fax: +39-011-4031-116

Lithuania – Vilnius
 Phone: +370-5-2131-402
 Fax: +370-5-2131-403

Netherlands – 's-Hertogenbosch
 Phone: +31-73-624-6246
 Fax: +31-73-621-2365

**Product Information Center:
 (Technical Support)**
 Phone: +31-73-6246-999
 Fax: +31-73-6246-998

Norway – Nesbru
 Phone: +47-66-77-8899
 Fax: +47-66-77-8855

Poland – Warsaw
 Phone: +48-22-45-76-700
 Fax: +48-22-45-76-720

Romania – Bucharest
 Phone: +40-1-311-3479/3596
 Fax: +40-1-312-0574

Russia – Moscow
 Phone: +7-095-926-5506/07/08/09
 Fax: +7-095-926-5505

Russia – St. Petersburg
 Phone: +7-812-118-8192
 Fax: +7-812-118-8193

Slovakia – Banská Bystrica
 Phone: +421-48-415-20-11/12
 Fax: +421-48-415-20-13

Slovenia – Ljubljana
 Phone: +386-1561-3270
 Fax: +386-1561-3240

South Africa – Port Elizabeth
 Phone: +27-41-405-4500
 Fax: +27-41-486-1314

Spain – Barcelona
 Phone: +34-93-291-0330
 Fax: +34-93-201-7879

**Product Information Center:
 (Technical Support):**
 Phone: +34-93-291-0330
 Fax: +34-93-200-3779

Sweden – Upplands Väsby
 Phone: +46-8-50-72-50-00
 Fax: +46-8-50-72-50-01

Switzerland – Steinach
 Phone: +41-71-447-0447
 Fax: +41-71-447-0444

Turkey – Istanbul
 Phone: +90-212-281-8181/2/3
 Fax: +90-212-281-8184

Ukraine – Kiev
 Phone: +38-044-238-6908
 Fax: +38-044-568-5740

Disclaimer: While Tyco Electronics has made every reasonable effort to ensure the accuracy of the information in this catalog, Tyco Electronics does not guarantee that it is error-free, nor does Tyco Electronics make any other representation, warranty or guarantee that the information is accurate, correct, reliable or current. Tyco Electronics reserves the right to make any adjustments to the information contained herein at any time without notice. Tyco Electronics expressly disclaims all implied warranties regarding the information contained herein, including, but not limited to, any implied warranties of merchantability or fitness for a particular purpose.