

CAT. NO. & DIMENSIONS

RIGHT ANGLE TYPE		STRAIGHT TYPE		DIMENSIONS (NOTE 1)
NOTE 2	CAT. NO.	NOTE 2	CAT. NO.	A±0.3
	SLD 4 R-1/2LF		SLD 4 S-1/2LF	12.75
	SLD 5 R-1/2LF		SLD 5 S-1/2LF	14.00
	SLD 6 R-1/2LF		SLD 6 S-1/2LF	15.25
	SLD 7 R-1/2LF		SLD 7 S-1/2LF	16.50
	SLD 8 R-1/2LF		SLD 8 S-1/2LF	17.75
	SLD 9 R-1/2LF		SLD 9 S-1/2LF	19.00
	SLD 10 R-1/2LF		SLD 10 S-1/2LF	20.25
	SLD 11 R-1/2LF		SLD 11 S-1/2LF	21.50
	SLD 12 R-1/2LF		SLD 12 S-1/2LF	22.75
	SLD 13 R-1/2LF		SLD 13 S-1/2LF	24.00
	SLD 14 R-1/2LF		SLD 14 S-1/2LF	25.25
	SLD 15 R-1/2LF		SLD 15 S-1/2LF	26.50
	SLD 16 R-1/2LF		SLD 16 S-1/2LF	27.75
	SLD 17 R-1/2LF	*	SLD 17 S-1/2LF	29.00
	SLD 18 R-1/2LF		SLD 18 S-1/2LF	30.25
	SLD 19 R-1/2LF		SLD 19 S-1/2LF	31.50
	SLD 20 R-1/2LF		SLD 20 S-1/2LF	32.75
	SLD 21 R-1/2LF	*	SLD 21 S-1/2LF	34.00
	SLD 22 R-1/2LF		SLD 22 S-1/2LF	35.25
	SLD 23 R-1/2LF		SLD 23 S-1/2LF	36.50
	SLD 24 R-1/2LF		SLD 24 S-1/2LF	37.75
	SLD 25 R-1/2LF	*	SLD 25 S-1/2LF	39.00
	SLD 26 R-1/2LF		SLD 26 S-1/2LF	40.25
	SLD 27 R-1/2LF		SLD 27 S-1/2LF	41.50
	SLD 28 R-1/2LF		SLD 28 S-1/2LF	42.75
	SLD 29 R-1/2LF		SLD 29 S-1/2LF	44.00
	SLD 30 R-1/2LF		SLD 30 S-1/2LF	45.25
	SLD 31 R-1/2LF		SLD 31 S-1/2LF	46.50
	SLD 32 R-1/2LF		SLD 32 S-1/2LF	47.75
	SLD 33 R-1/2LF		SLD 33 S-1/2LF	49.00
	SLD 34 R-1/2LF		SLD 34 S-1/2LF	50.25
	SLD 35 R-1/2LF		SLD 35 S-1/2LF	51.50
	SLD 36 R-1/2LF		SLD 36 S-1/2LF	52.75
	SLD 37 R-1/2LF		SLD 37 S-1/2LF	54.00
	SLD 38 R-1/2LF	*	SLD 38 S-1/2LF	55.25
	SLD 39 R-1/2LF		SLD 39 S-1/2LF	56.50
	SLD 40 R-1/2LF		SLD 40 S-1/2LF	57.75

CAT. NO. _____

SERIES NAME SLD (n) R -1 LF

NO. OF CONTACTS _____

R:RIGHT ANGLE TYPE
S:STRAIGHT TYPE

VARIATION _____

1:KINKED TERMINAL
2:STRAIGHT TERMINAL

LEAD FREE _____

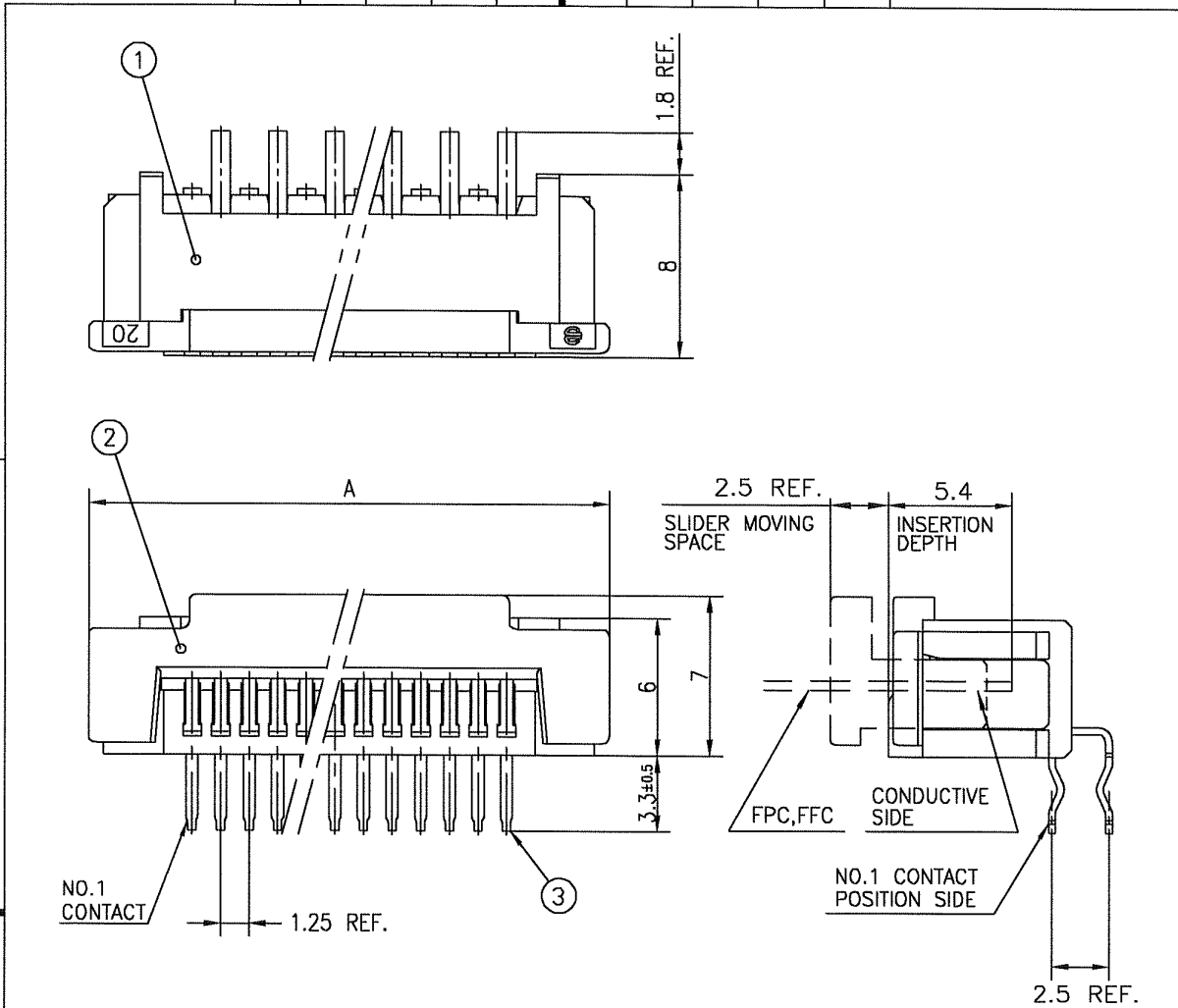
- NOTE.
- SEE PART DRAWINGS FOR DIMENSIONS A.
 - PLEASE CONSULT US IN CASE OF USING PARTS WITH *MARK



FCIconnect.com

Copyright FCI.

mat'l. code				surface ISO 1302 ✓	tolerance ISO 406 ISO 1101	projection 	product family 58KF	CODE JP
ltr	ecn no	dr	date	tolerances unless otherwise specified		mm ←→	title CAT. NO. TABLE FOR 1.25mm SPACING CONNECTOR (Cat. No. SLD__R/S-1/2LF)	
A	J05-0435	H.T	6/22/05	angles	linear		scale X	dwg no JSA 96548
B	J06-0503	H.T	11/28/06				sheet 1 of 1 size A4	
				dr	<i>H. P. ... 11/28/06</i>		type Product Customer Drawing	
				enr	<i>H. P. ... 11/28/06</i>			
				chr	<i>R. ... 11/28/06</i>			
sheet index	revision sheet	B	1	appd	<i>S. ... 11/28/06</i>			Rev B



1. THIS PRODUCT MEETS EUROPEAN UNION DIRECTIVES AND OTHER COUNTRY REGULATIONS AS DESCRIBED IN GS-22-008
2. THE HOUSING WILL WITHSTAND EXPOSURE TO 260°C PEAK TEMPERATURE FOR 10 SECONDS IN A WAVE SOLDER APPLICATION WITH A 1.6mm THICK CIRCUIT BOARD.

PT. NO.	PARTS NAME	MATERIAL	Q'TY	NOTE
1	HOUSING	PBT RESIN GLASS REINFORCED (UL94V-0)	1	COLOR : BLACK
2	SLIDER		1	
3	CONTACT	PHOSPHOR BRONZE	n	PLATING : Sn Ni UNDER PLATED (LEAD FREE)

n : NO. OF CONTACTS

mat'l. code		surface ISO 1302 ✓		tolerance ISO 406 ISO 1101		projection		product family 58KF		CODE JP	
ltr	ecn no	dr	date	tolerances unless otherwise specified		mm		title			
A	J05-0435	H.T	7/8/'05	angles	linear	±0.3		1.25mm SPACING FPC/FFC CONNECTOR			
B	J05-0733	H.T	10/28/'05					(Cat. No. SLD__R-1LF)			
C	J06-0503	H.T	11/28/'06			scale X		dwg no sheet 1 of 1 size			
				dr		11/28/06		JSA 96549 A4			
				enr		11/28/06		type Product Customer Drawing			
				chr		11/28/06		Rev			
				appd		11/28/06		C			
sheet index	revision	C	sheet	1							

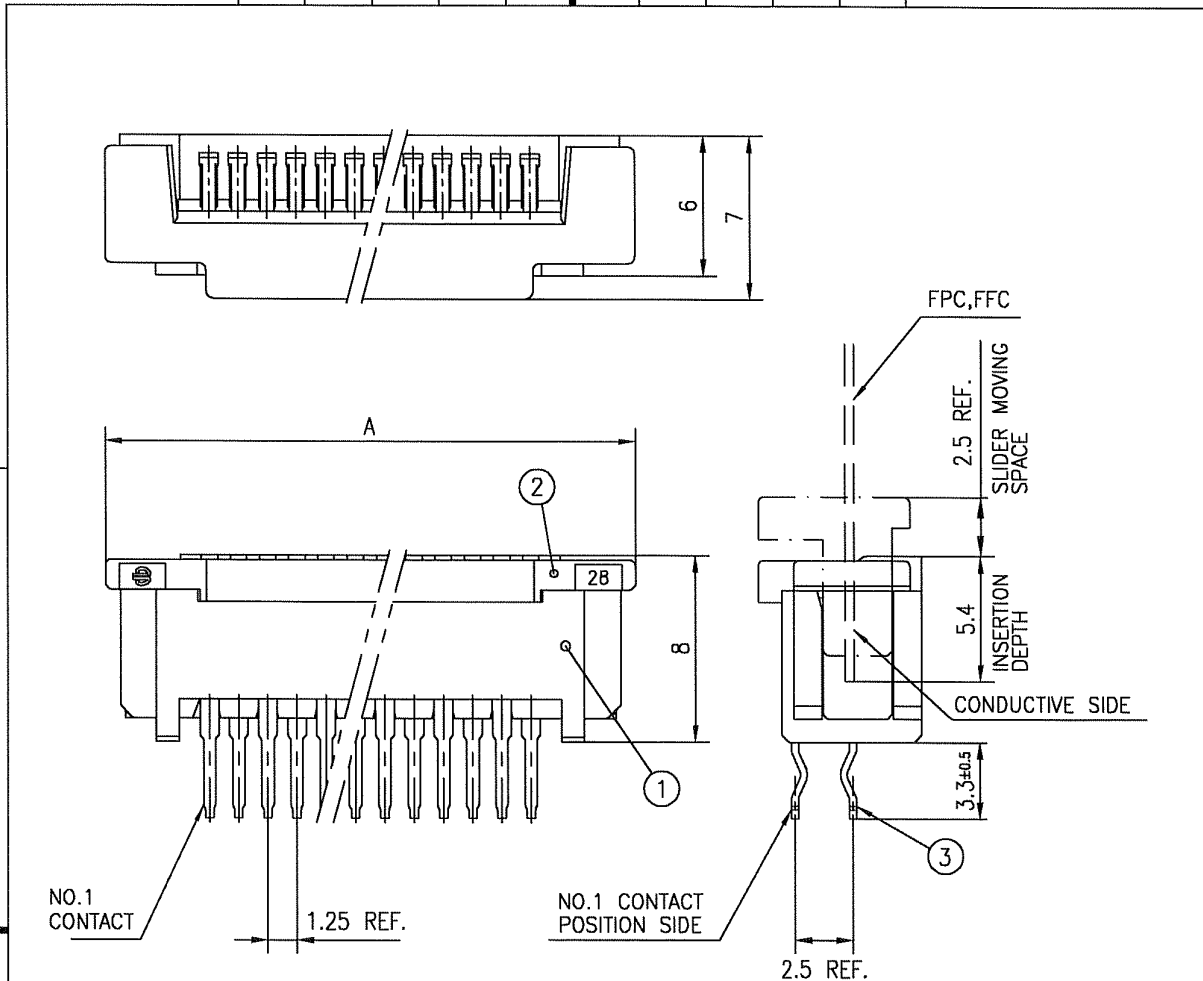
SC-SLD02 form: A4 JSA96548 96550 91823



FCIconnect.com

Copyright FCI.






1. THIS PRODUCT MEETS EUROPEAN UNION DIRECTIVES AND OTHER COUNTRY REGULATIONS AS DESCRIBED IN GS-22-008
2. THE HOUSING WILL WITHSTAND EXPOSURE TO 260°C PEAK TEMPERATURE FOR 10 SECONDS IN A WAVE SOLDER APPLICATION WITH A 1.6mm THICK CIRCUIT BOARD.

PT. NO.	PARTS NAME	MATERIAL	Q'TY	NOTE
1	HOUSING	PBT RESIN GLASS REINFORCED (UL94V-0)	1	COLOR : BLACK
2	SLIDER		1	
3	CONTACT	PHOSPHOR BRONZE	n	PLATING : Sn Ni UNDER PLATED (LEAD FREE)

n : NO. OF CONTACTS

mat'l. code		surface 58 ISO 1302 ✓		tolerance ISO 406 ISO 1101		projection mm		product family 58KF		CODE JP	
ltr	ecn no	dr	date	tolerances unless otherwise specified		mm		title 1.25mm SPACING FPC/FFC CONNECTOR (Cat. No. SLD__S-1LF)			
A	J05-0435	H.T	7/8/05	angles	linear	±0.3		 dwg no JSA 96550 sheet 1 of 1 size A4 type Product Customer Drawing			
B	J05-0733	H.T	10/28/05								
C	J06-0503	H.T	11/28/06								
				dr	engr	chr	appd				
sheet index	revision	C	sheet	1							Rev C

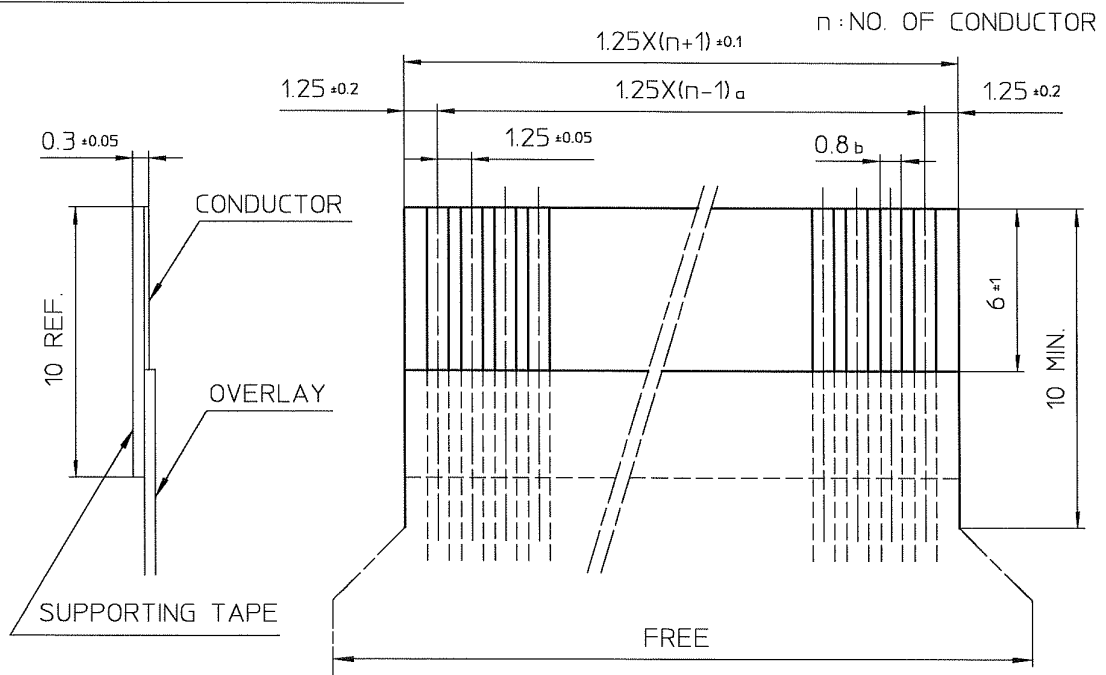
SC-SLDD2 form: A4 JSA96548 96549 91823



FCIconnect.com

Copyright FCI.

RECOMMENDED CABLE (FPC,FFC)



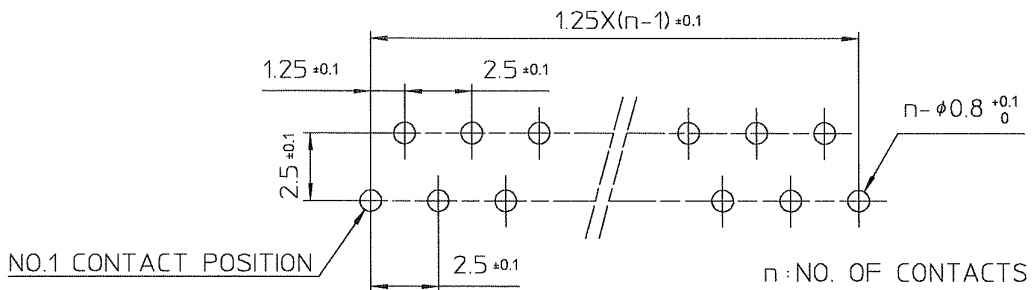
NOTES

1. SURFACE TREATMENT OF CONDUCTOR PORTIONS MUST BE TIN PLATED OR SOLDER PLATED WITH MORE THAN 1µm THICKNESS.
2. NO BURR AT EACH PORTION.
3. NO PEELING IN COMMON USE.

TYPE	DIMENSIONAL TOLERANCE	
	a	b
FPC	±0.05	±0.1
FFC	±0.1	±0.03

RECOMMENDED PC BOARD

THICKNESS : 0.9-2.0
HOLE PATTERN (COMPONENT SIDE)



mat'l. code			surface ISO 1302 ✓		tolerance ISO 406 ISO 1101		projection		product family 58KF		
ltr	ecn no	dr	date	tolerances unless otherwise specified					title RECOMMENDED PC BOARD AND CABLE (Cat. No. SLD__R/S-1/2_)		
1		H.T	9/9/98	angles	linear	scale X					
A	J06-0503	H.T	11/28/06					title RECOMMENDED PC BOARD AND CABLE (Cat. No. SLD__R/S-1/2_)			
				dr	11/28/06			dwg no sheet 1of1 size			
				enr	11/28/06			JSA 91823 A4			
				chr	11/28/06			type Product Customer Drawing			
				appd	11/28/06						
sheet index	revision sheet	A	1								Rev
											A



FCIconnect.com

Copyright FCI