



FCIconnect.com

Copyright FCI.

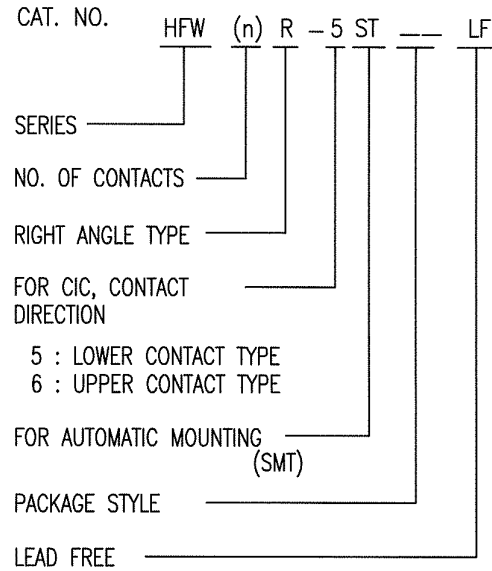
List of "HFW__R-5/6STE1LF" customer document

DOCUMENT NO.	LIST
SC-HFWR05	SPEC.
JSA97339	CAT.NO.TABLE FOR 1mm SPACING SMT CONNECTOR (HFW__R-5/6ST_LF)
JSA97340	1mm SPACING SURFACE MOUNT CIC CONNECCTOR (HFW__R-5ST_LF)
JSA97341	1mm SPACING SURFACE MOUNT CIC CONNECCTOR (HFW__R-6ST_LF)
JSA97342	CAT.NO.TABLE FOR PLASTIC TAPE PACKAGED 1mm SPACING SMT CONN.(HFW__R-5/6STE1LF)
JSA97343	1mm SPACING SMT CONNECTOR (HFW__R-5STE1LF)
JSA97344	1mm SPACING SMT CONNECTOR (HFW__R-6STE1LF)
JSA97345	RECOMMENDED CABLE (CIC) (HFW__R-5/6__)

mat'l. code		surface ⁵⁸ ISO 1302 <input checked="" type="checkbox"/>		tolerance ISO 406 ISO 1101		projection		product family 58NF		CODE JP	
ltr	ecn no	dr	date		tolerances unless otherwise specified		title				
A	J07-0397	H.T	7/27/07		angles linear		mm		1mm SPACING CIC CONNECTOR DOCUMENT LIST (Cat. No. : HFW__R-5/6STE1LF)		
			dr				scale <input checked="" type="checkbox"/>		dwg no		sheet 1 of 1 size
			enr						JSA 97346		A4
			chr						type Product Customer Drawing		
			appd								Rev. A
sheet index	revision sheet	A	1								

CAT. NO. & DIMENSIONS

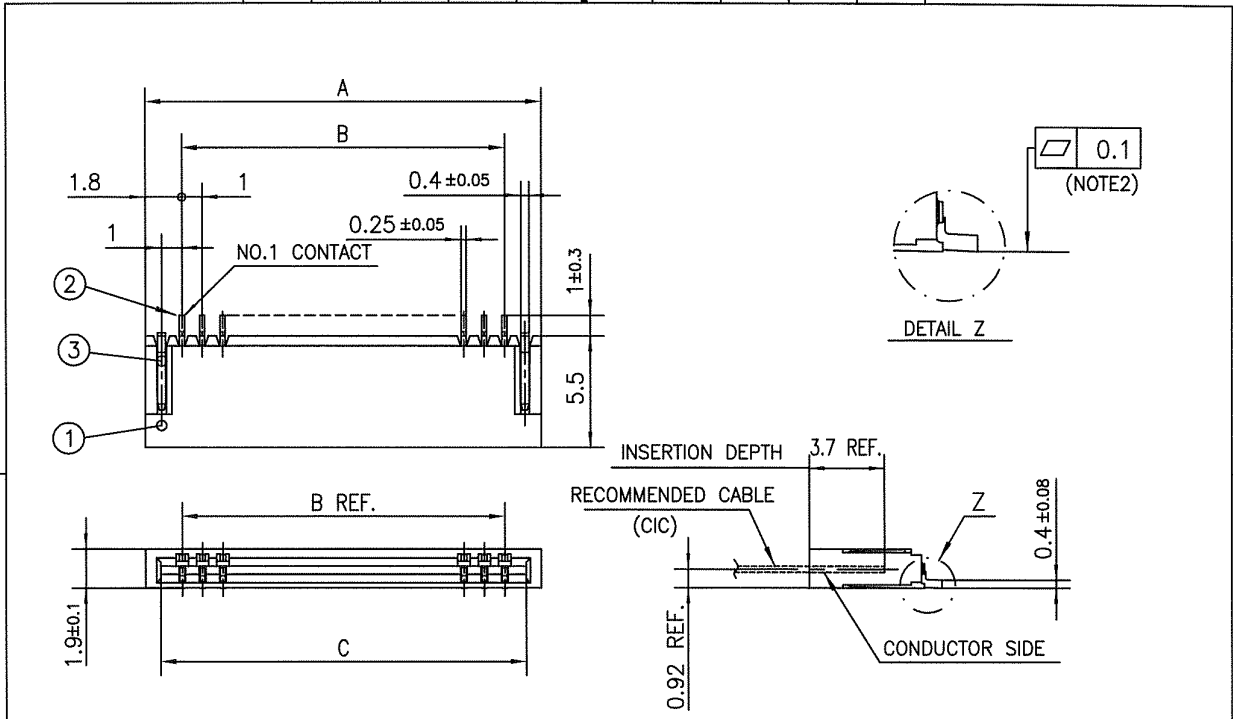
(NOTE3)	NO. OF CONTACTS (n)	CAT. NO.	DIMENSIONS (NOTE2)		
			A ± 0.2	B ± 0.2	C ± 0.1
	4	HFW4R-5/6ST__LF	6.6	3	5.14
	5	HFW5R-5/6ST__LF	7.6	4	6.14
	6	HFW6R-5/6ST__LF	8.6	5	7.14
	7	HFW7R-5/6ST__LF	9.6	6	8.14
	8	HFW8R-5/6ST__LF	10.6	7	9.14
	9	HFW9R-5/6ST__LF	11.6	8	10.14
	10	HFW10R-5/6ST__LF	12.6	9	11.14
	11	HFW11R-5/6ST__LF	13.6	10	12.14
	12	HFW12R-5/6ST__LF	14.6	11	13.14
	13	HFW13R-5/6ST__LF	15.6	12	14.14
	14	HFW14R-5/6ST__LF	16.6	13	15.14
	15	HFW15R-5/6ST__LF	17.6	14	16.14
	16	HFW16R-5/6ST__LF	18.6	15	17.14
	17	HFW17R-5/6ST__LF	19.6	16	18.14
	18	HFW18R-5/6ST__LF	20.6	17	19.14
	19	HFW19R-5/6ST__LF	21.6	18	20.14
	20	HFW20R-5/6ST__LF	22.6	19	21.14
	21	HFW21R-5/6ST__LF	23.6	20	22.14
	22	HFW22R-5/6ST__LF	24.6	21	23.14
	23	HFW23R-5/6ST__LF	25.6	22	24.14
	24	HFW24R-5/6ST__LF	26.6	23	25.14
	25	HFW25R-5/6ST__LF	27.6	24	26.14
	26	HFW26R-5/6ST__LF	28.6	25	27.14
	27	HFW27R-5/6ST__LF	29.6	26	28.14
*	28	HFW28R-5/6ST__LF	30.6	27	29.14
*	29	HFW29R-5/6ST__LF	31.6	28	30.14
	30	HFW30R-5/6ST__LF	32.6	29	31.14



NOTES

1. THIS PRODUCT IS THE CONNECTOR DESIGNED TO TERMINATE CIC AND COPE WITH AUTOMATIC MOUNTING (SMT).
2. SEE PART DRAWINGS FOR DIMENSIONS A~C.
3. PLEASE CONSULT US IN CASE OF USING PARTS WITH * MARK.

mat'l. code		surface 58 ✓ ISO 1302		tolerance ISO 406 ISO 1101		projection 		product family 58NF		CODE JP	
ltr	ecn no	dr	date		tolerances unless otherwise specified		mm		title CAT. NO. TABLE FOR 1mm SPACING SMT CONNECTOR (Cat. No. HFW__R-5/6ST__LF)		
A	J07-0397	H.T	7/27/07		angles	linear	scale ∞		dwg no JSA 97339		
sheet index		revision	A	dr engr chr appd		7/27/07 7/27/07 7/27/07 7/27/07		sheet 1 of 1		size A4	
sheet index		revision	A	type		Product Customer Drawing		Rev. A		D	

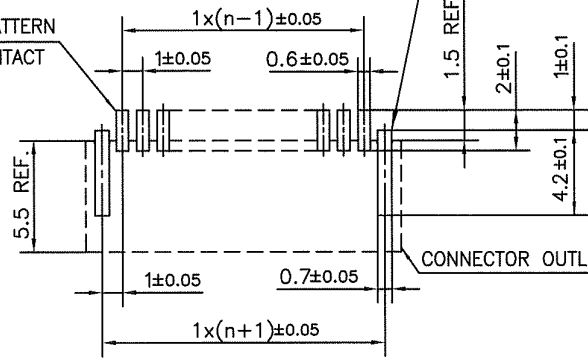


PT. NO.	PARTS NAME	MATERIAL	Q'TY	NOTE
1	HOUSING	PA6T RESIN GLASS REINFORCED (UL94V-0)	1	COLOR:BLACK
2	CONTACT	PHOSPHOR BRONZE	n	PLATING:TIN
3	MOUNTING PLATE		2	(LEAD FREE)

n : NO. OF CONTACTS

RECOMMENDED PC BOARD LAYOUT (COMPONENT SIDE)

BASIC PATTERN
NO.1 CONTACT POSITION



PATTERN FOR MOUNTING PLATE FIXING

NOTES

1. THIS PRODUCT IS THE CONNECTOR DESIGNED TO TERMINATE CIC AND COPES WITH AUTOMATIC MOUNTING (SMT).
2. FLATNESS OF CONTACT TERMINAL FOR HOUSING MUST BE WITHIN TOLERANCE IN Z PORTION DETAILED DRAWING.
3. THIS PRODUCT IS LOWER CONTACT TYPE CONNECTOR.
4. THIS PRODUCT MEETS EUROPEAN UNION DIRECTIVES AND OTHER COUNTRY REGULATIONS AS DESCRIBED IN GS-22-008
5. THE HOUSING WILL WITHSTAND EXPOSURE TO 260°C PEAK TEMPERATURE FOR 10 SECONDS IN A REFLOW SOLDERING OVEN.

mat'l. code		surface 58 ISO 1302 ✓		tolerance ISO 406 ISO 1101		projection mm		product family 58NF		CODE JP	
ltr		ecn no		dr		date		title		1mm SPACING SURFACE MOUNT CIC CONNECTOR (Cat.No. HFWR_R-5ST_LF)	
A		J07-0397		H.T		7/27/07		dwg no		sheet 1 of 1 size JSA 97340 A4	
angles		linear		±0.2		scale		type		Product Customer Drawing	
dr		engr		chr		appd		type		Product Customer Drawing	
sheet index		revision		A		sheet		1		Rev. A	

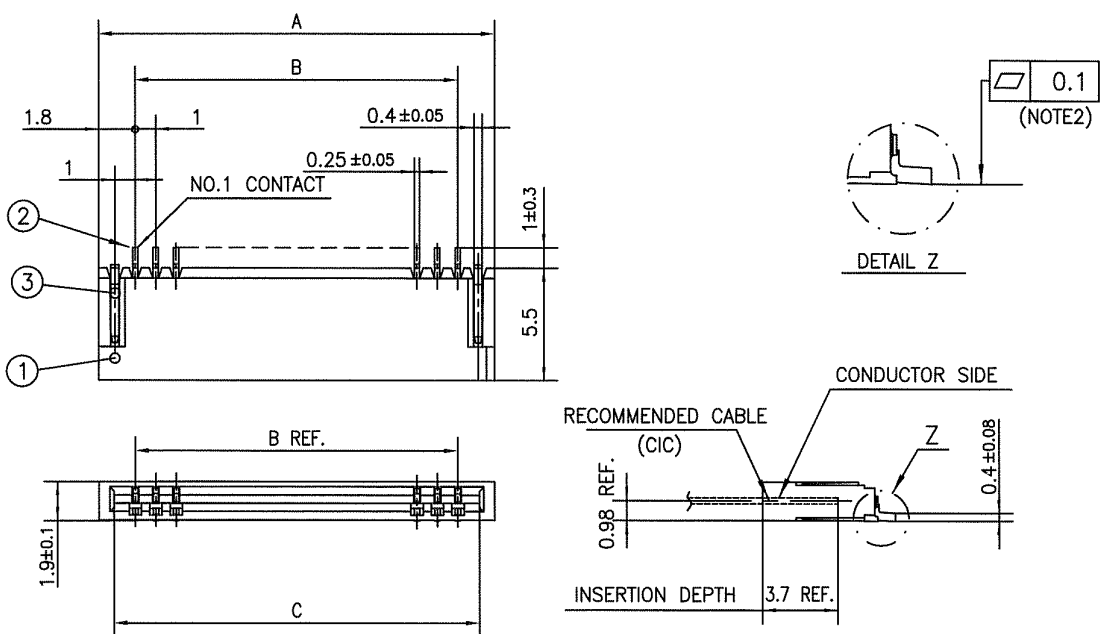
SC-HFWR JSA97339 form: A4



FCIconnect.com

Copyright FCI.

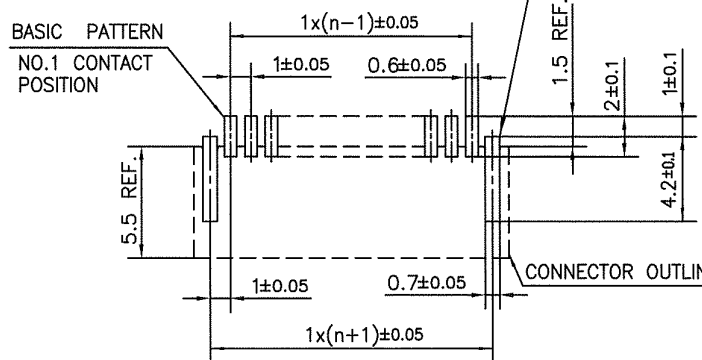




PT. NO.	PARTS NAME	MATERIAL	Q'TY	NOTE
1	HOUSING	PA6T RESIN GLASS REINFORCED (UL94V-0)	1	COLOR:BLACK
2	CONTACT	PHOSPHOR BRONZE	n	PLATING:TIN
3	MOUNTING PLATE		2	(LEAD FREE)

n : NO. OF CONTACTS

RECOMMENDED PC BOARD LAYOUT (COMPONENT SIDE)



NOTES

1. THIS PRODUCT IS THE CONNECTOR DESIGNED TO TERMINATE CIC AND COPES WITH AUTOMATIC MOUNTING (SMT).
2. FLATNESS OF CONTACT TERMINAL FOR HOUSING MUST BE WITHIN TOLERANCE IN Z PORTION DETAILED DRAWING.
3. THIS PRODUCT IS UPPER CONTACT TYPE CONNECTOR.
4. THIS PRODUCT MEETS EUROPEAN UNION DIRECTIVES AND OTHER COUNTRY REGULATIONS AS DESCRIBED IN GS-22-008
5. THE HOUSING WILL WITHSTAND EXPOSURE TO 260°C PEAK TEMPERATURE FOR 10 SECONDS IN A REFLOW SOLDERING OVEN.

mat'l. code		surface 58	tolerance	projection	product family	58NF	CODE	
ltr		ISO 1302	ISO 406	mm	title		JP	
ecn no	dr	tolerances unless otherwise specified			1mm SPACING SURFACE MOUNT CIC CONNECTOR			
A	J07-0397	H.T	7/27/07	scale	(Cat. No. HFW__R-6ST__LF)			
sheet		dr	7/27/07		dwg no		sheet 1 of 1	
index		enr	7/27/07		JSA 97341		size	A4
revision		chr	7/27/07		type		Product Customer Drawing	
sheet		appd	7/27/07					
revision		A						Rev.
sheet		1						A

SC-HFWR05 JSA97339 form: A4

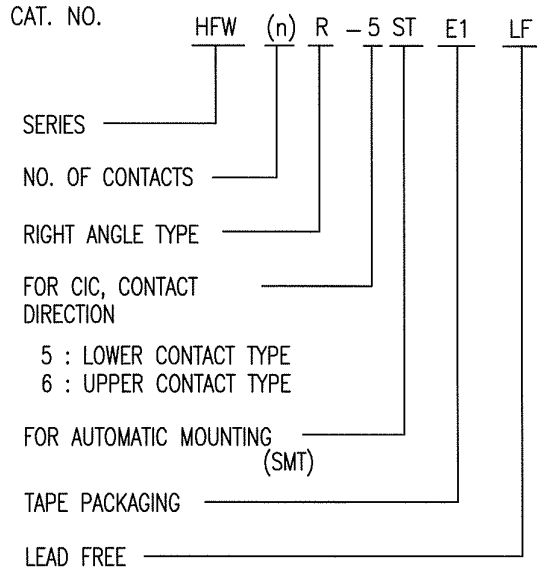


FCIconnect.com

Copyright FCI.

CAT. NO. & DIMENSIONS

(NOTE4)	NO. OF CONTACTS (n)	CAT. NO. (NOTE2)	DIMENSIONS (NOTE3)		
			E ± 5	F ± 0.3	G ± 0.1
	4	HFW4R-5/6STE1LF	28.4	24	—
	5	HFW5R-5/6STE1LF	28.4	24	—
	6	HFW6R-5/6STE1LF	28.4	24	—
	7	HFW7R-5/6STE1LF	28.4	24	—
	8	HFW8R-5/6STE1LF	28.4	24	—
	9	HFW9R-5/6STE1LF	28.4	24	—
	10	HFW10R-5/6STE1LF	28.4	24	—
	11	HFW11R-5/6STE1LF	28.4	24	—
	12	HFW12R-5/6STE1LF	28.4	24	—
	13	HFW13R-5/6STE1LF	28.4	24	—
	14	HFW14R-5/6STE1LF	28.4	24	—
	15	HFW15R-5/6STE1LF	36.4	32	28.4
	16	HFW16R-5/6STE1LF	36.4	32	28.4
	17	HFW17R-5/6STE1LF	36.4	32	28.4
	18	HFW18R-5/6STE1LF	36.4	32	28.4
	19	HFW19R-5/6STE1LF	48.4	44	40.4
	20	HFW20R-5/6STE1LF	48.4	44	40.4
	21	HFW21R-5/6STE1LF	48.4	44	40.4
	22	HFW22R-5/6STE1LF	48.4	44	40.4
	23	HFW23R-5/6STE1LF	48.4	44	40.4
	24	HFW24R-5/6STE1LF	48.4	44	40.4
	25	HFW25R-5/6STE1LF	48.4	44	40.4
	26	HFW26R-5/6STE1LF	48.4	44	40.4
	27	HFW27R-5/6STE1LF	48.4	44	40.4
*	28	HFW28R-5/6STE1LF	48.4	44	40.4
*	29	HFW29R-5/6STE1LF	48.4	44	40.4
	30	HFW30R-5/6STE1LF	60.4	56	52.4

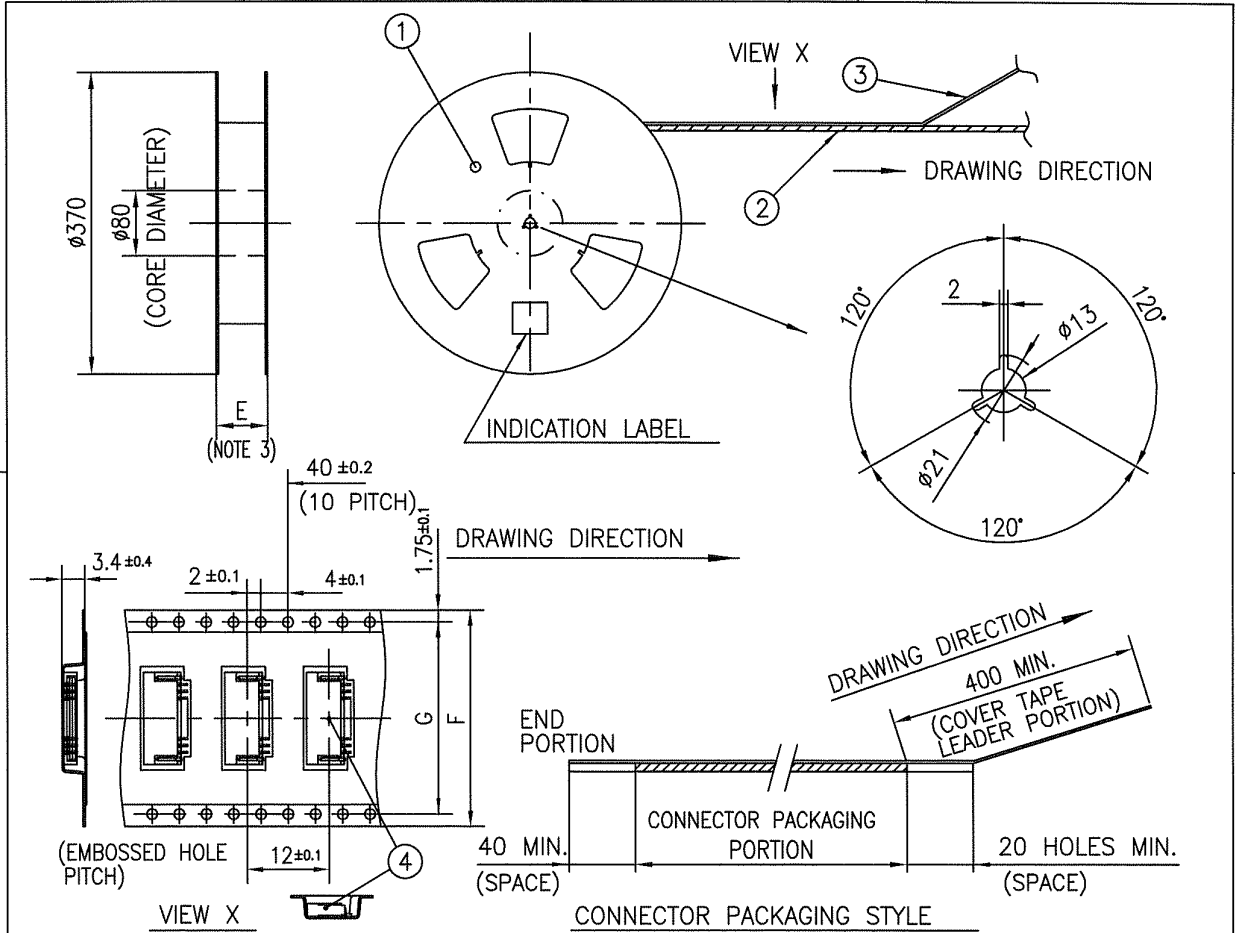


NOTES

1. THIS PRODUCT IS THE CONNECTOR DESIGNED TO TERMINATE CIC AND COPES WITH AUTOMATIC MOUNTING (SMT).
2. THIS CATALOG NO. INDICATES PLASTIC TAPE PACKAGED CONNECTOR.
3. SEE PART DRAWINGS FOR DIMENSIONS E~G.
4. PLEASE CONSULT US IN CASE OF USING PARTS WITH * MARK.

mat'l. code				surface 58 ISO 1302 ✓		tolerance ISO 406 ISO 1101		projection 		product family 58NF		CODE JP	
ltr		ecn no		dr		date		tolerances unless otherwise specified		title			
A		J07-0397		H.T		7/27/07		angles linear		CAT. NO. TABLE FOR PLASTIC TAPE PACKAGED 1mm SPACING SMT CONN. (Cat.No. HFW__R-5/6STE1LF)			
								mm		scale X			
								dr		dwg no sheet 1 of 1 size			
								enr		JSA 97342 A4			
								chr		type Product Customer Drawing			
								appd					
sheet index		revision A		sheet 1						Rev. A			

SC-HFWR05 JSA97339 97343 97344
form: A4



PT. NO.	PARTS NAME	CAT. NO.	MATERIAL	Q'TY	NOTE
1	REEL	—	CARDBOARD	1	COLOR:WHITE
2	PLASTIC (EMBOSSSED) TAPE	—	PET	—	COLOR:TRANSPARENCY
3	COVER	—	POLYESTER	—	COLOR:TRANSPARENCY
4	CONNECTOR	HFV__R-5ST__LF	SEE ATTACHED DWG.	2000	LOWER CONTACT TYPE

NOTES

- THIS IS PLASTIC TAPE PACKAGED CONNECTOR DESIGNED TO TERMINATE CIC AND COPES WITH AUTOMATIC MOUNTING (SMT).
- SEE JIS C 0806 (PACKING OF ELECTRONIC COMPONENTS ON CONTINUOUS TAPES (SURFACE MOUNTING DEVICES)) FOR SHAPE AND DIMENSIONS OF PLASTIC (EMBOSSSED) TAPE AND REEL.
- E DIMENSION IS PORTION OF THE CORE.

mat'l. code		surface 58 ISO 1302 ✓		tolerance ISO 406 ISO 1101		projection mm		product family 58NF		CODE JP	
ltr	ecn no	dr	date		tolerances unless otherwise specified		title		1mm SPACING SMT CONNECTOR (Cat.No. HFV__R-5STE1LF)		
A	J07-0397	H.T	7/27/07		angles	linear	mm		dwg no		
					±5°		scale		sheet 1 of 1		size
							FCJ		JSA 97343		Δ4
					dr	7/27/07			type		Product Customer Drawing
					enr	7/27/07					Rev.
					chr	7/27/07					A
					appd	7/27/07					
sheet index	revision	A									
	sheet	1									

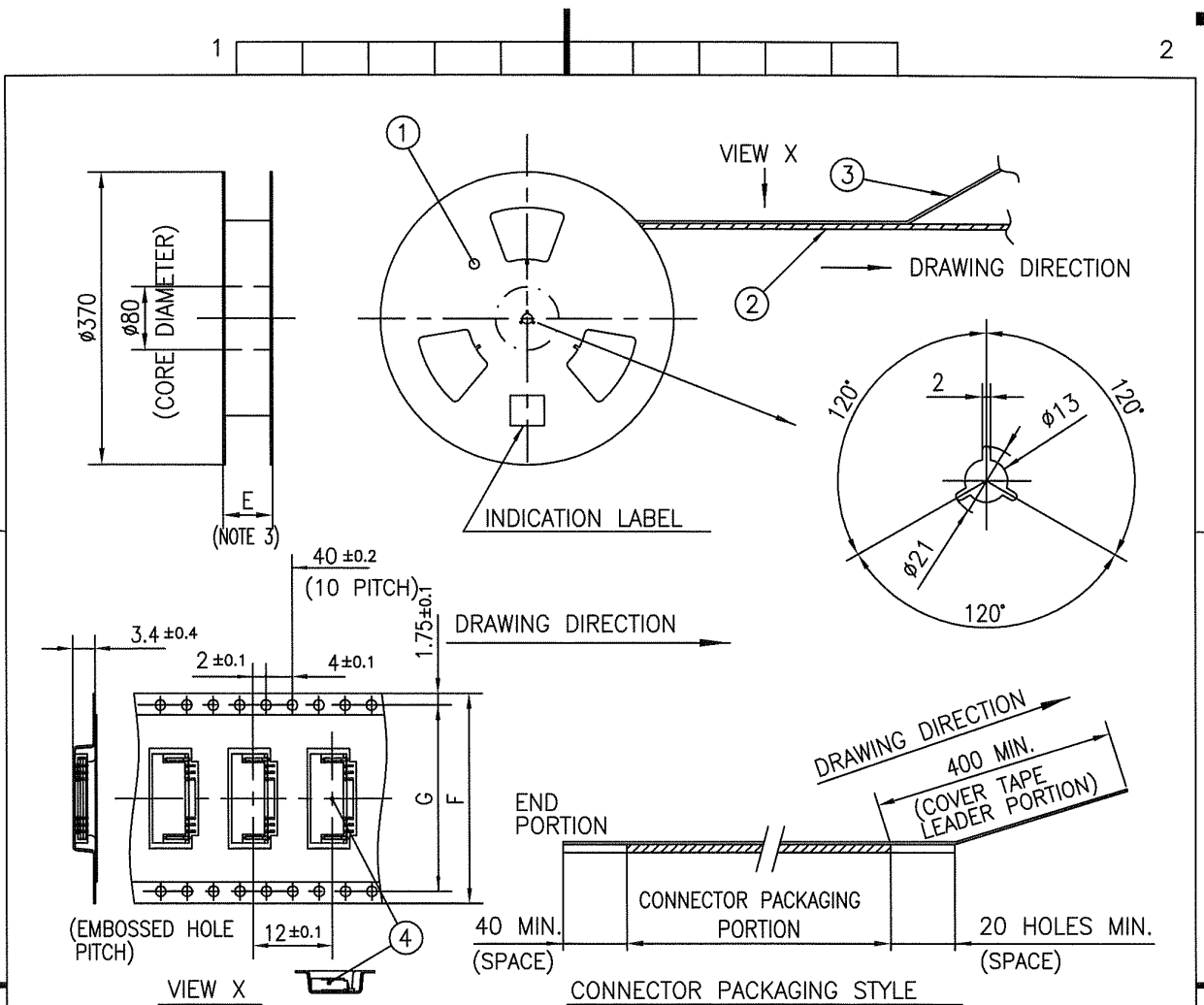
SC-HFWR05 JSA97342
form: A4



FCIconnect.com

Copyright FCI.





PT. NO.	PARTS NAME	CAT. NO.	MATERIAL	Q'TY	NOTE
1	REEL	_____	CARDBOARD	1	COLOR:WHITE
2	PLASTIC (EMBOSSED) TAPE	_____	PET	—	COLOR:TRANSPARENCY
3	COVER	_____	POLYESTER	—	COLOR:TRANSPARENCY
4	CONNECTOR	HFWR__R-6ST__LF	SEE ATTACHED DWG.	2000	UPPER CONTACT TYPE

NOTES

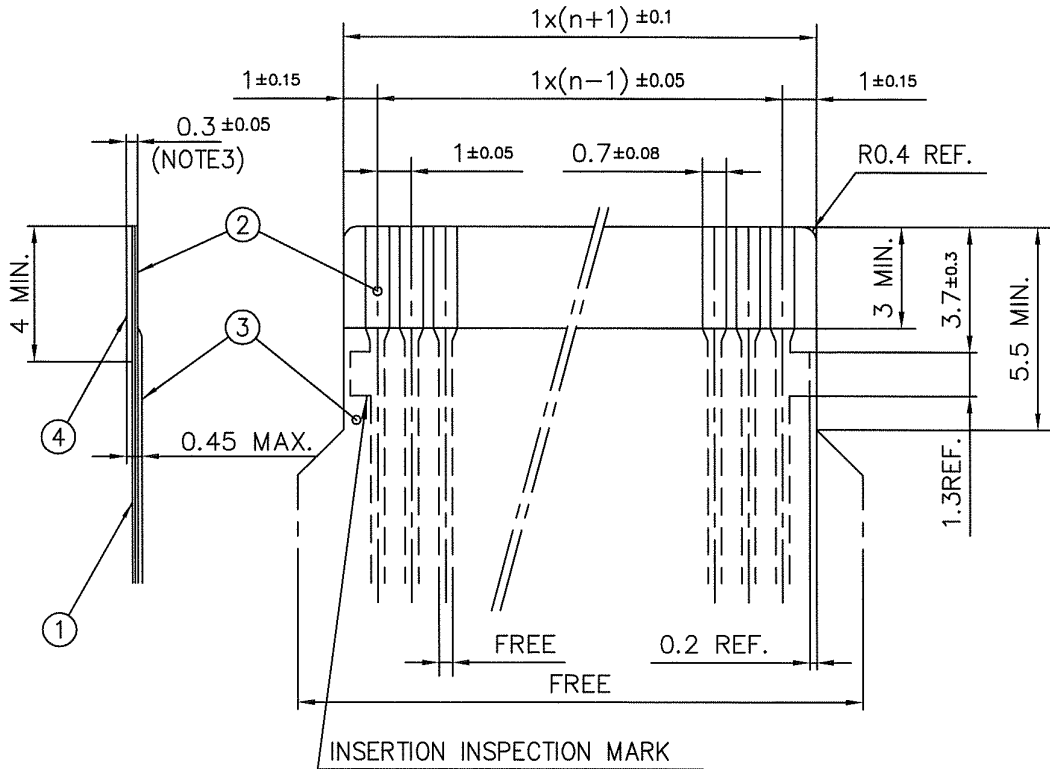
1. THIS IS PLASTIC TAPE PACKAGED CONNECTOR DESIGNED TO TERMINATE CIC AND COPES WITH AUTOMATIC MOUNTING (SMT).
2. SEE JIS C 0806 (PACKING OF ELECTRONIC COMPONENTS ON CONTINUOUS TAPES (SURFACE MOUNTING DEVICES)) FOR SHAPE AND DIMENSIONS OF PLASTIC (EMBOSSED) TAPE AND REEL.
3. E DIMENSION IS PORTION OF THE CORE.

mat'l. code		surface 58	tolerance ISO 406	projection	product family 58NF	CODE JP
ltr	ecn no	dr	date	tolerances unless otherwise specified	title	
A	J07-0397	H.T	7/27/07	±5	1mm SPACING SMT CONNECTOR	
				angles linear	(Cat.No. HFWR__R-6STE1LF)	
				±5'	scale	
		dr	7/27/07		dwg no	sheet 1 of 1 size
		enr	7/27/07		JSA 97344	A4
		chr	7/27/07		type Product Customer Drawing	
		appd	7/27/07			
sheet index	revision	A				Rev. A
	sheet	1				

SC-HFWR05 JSA97342 form: A4

RECOMMENDED CABLE (CIC)

n : NO. OF CONDUCTORS



PT. NO.	DESCRIPTION	MATERIAL	THICKNESS (μm)	
1	BASE FILM	POLYIMIDE OR POLYESTER OR EQUIVALENT	75	25
2	CONDUCTOR	CARBON PASTE OVER SIVER PASTE	10MIN.	
3	OVERLAY	POLYIMIDE OR POLYESTER OR EQUIVALENT	—	
4	SUPPORTING TAPE	POLYESTER OR POLYIMIDE OR EQUIVALENT	188	250

NOTES

1. NO BURR AT EACH PORTION.
2. NO PEELING IN COMMON USE.
3. TOTAL THICKNESS LIMIT OF EACH MATERIAL (INCLUDING ADHESIVE AGENT) IS SPECIFIED.

mat'l. code		surface 58 / tolerance ISO 1302 ✓ / ISO 406 / ISO 1101		projection	product family 58NF	CODE JP	
ltr	ecn no	dr	date	tolerances unless otherwise specified	title	RECOMMENDED CABLE (CIC) (Cat. No. HFW__R-5/6__)	
A	J07-0397	H.T	7/27/07				
		angles	linear	mm			
		dr	7/27/07	scale X	dwg no sheet 1 of 1 size		
		enr	7/27/07	FCJ	JSA 97345 A4		
		chr	7/27/07		type Product Customer Drawing		
		appd	7/27/07				
sheet index	revision sheet	A	1				Rev. A

form: A4



FCIconnect.com

Copyright FCI.