



FCIconnect.com

Copyright FCI.

List of "SFW\_\_R-3/4STAE1LF" customer document

DOCUMENT NO.	LIST
SC-SFW16	SPEC.
JSA96274	CAT.NO.TABLE FOR 1mm CONTACT SPACING SMT CONNECTOR (SFW__R-3/4STA__LF)
JSA96275	1mm SPACING SMT CONNECTOR (SFW__R-3STA__LF)
JSA96276	1mm SPACING SMT CONNECTOR (SFW__R-4STA__LF)
JSA96277	CAT.NO.TABLE FOR PLASTIC TAPE PACKAGED 1mm SPACING SMT CONNECTOR (SFW__R-3/4STAE1LF)
JSA96278	PLASTIC TAPE PACKAGED 1mm SPACING SMT CONNECTOR (SFW__R-3STAE1LF)
JSA96279	PLASTIC TAPE PACKAGED 1mm SPACING SMT CONNECTOR (SFW__R-4STAE1LF)
JSA96280	RECOMMENDED CABLE (FPC) (SFW__R-3/4STA__)
GS-20-130	HANDLING PROCEDURES

mat'l. code		surface 58		tolerance ISO 1302		tolerance ISO 406		projection		product family 58RF		CODE JP	
ltr		ecn no		dr		date		tolerances, unless otherwise specified		title		1mm SPACING FPC CONNECTOR DOCUMENT LIST	
A		J05-0024		H.T		1/20/05		angles linear		mm		(Cat. No. : SFW__R-3/4STAE1LF)	
B		J06-0398		H.T		9/26/06				scale X			
C		J09-0363		M.Y		2009-10-8				dwg no		sheet 1 of 1 size	
D		J09-0380		M.Y		2009-10-27		dr		JSA 96334		A4	
								enr		FCI			
								chr		Product Customer Drawing			
								appd					
sheet index		revision sheet		D		1						Rev. D	

form: A4

CAT. NO. & DIMENSIONS

NO. OF CONTACTS (n)	CAT. NO.	DIMENSIONS (NOTE2)			
		A ± 0.2	B ± 0.2	C ± 0.2	D ± 0.1
4	SFW4R-3/4STA_LF	9.8	8.6	3.0	3.92
5	SFW5R-3/4STA_LF	10.8	9.6	4.0	4.92
6	SFW6R-3/4STA_LF	11.8	10.6	5.0	5.92
7	SFW7R-3/4STA_LF	12.8	11.6	6.0	6.92
8	SFW8R-3/4STA_LF	13.8	12.6	7.0	7.92
9	SFW9R-3/4STA_LF	14.8	13.6	8.0	8.92
10	SFW10R-3/4STA_LF	15.8	14.6	9.0	9.92
11	SFW11R-3/4STA_LF	16.8	15.6	10.0	10.92
12	SFW12R-3/4STA_LF	17.8	16.6	11.0	11.92
13	SFW13R-3/4STA_LF	18.8	17.6	12.0	12.92
14	SFW14R-3/4STA_LF	19.8	18.6	13.0	13.92
15	SFW15R-3/4STA_LF	20.8	19.6	14.0	14.92
16	SFW16R-3/4STA_LF	21.8	20.6	15.0	15.92
17	SFW17R-3/4STA_LF	22.8	21.6	16.0	16.92
18	SFW18R-3/4STA_LF	23.8	22.6	17.0	17.92
19	SFW19R-3/4STA_LF	24.8	23.6	18.0	18.92
20	SFW20R-3/4STA_LF	25.8	24.6	19.0	19.92
21	SFW21R-3/4STA_LF	26.8	25.6	20.0	20.92
22	SFW22R-3/4STA_LF	27.8	26.6	21.0	21.92
23	SFW23R-3/4STA_LF	28.8	27.6	22.0	22.92
24	SFW24R-3/4STA_LF	29.8	28.6	23.0	23.92
25	SFW25R-3/4STA_LF	30.8	29.6	24.0	24.92
26	SFW26R-3/4STA_LF	31.8	30.6	25.0	25.92
27	SFW27R-3/4STA_LF	32.8	31.6	26.0	26.92
28	SFW28R-3/4STA_LF	33.8	32.6	27.0	27.92
29	SFW29R-3/4STA_LF	34.8	33.6	28.0	28.92
30	SFW30R-3/4STA_LF	35.8	34.6	29.0	29.92

CAT. NO. SFW (n) R - 3 ST A LF

SERIES NAME

NO. OF CONTACTS

RIGHT ANGLE TYPE

FOR FPC/FFC, WITH CABLE LOCK MECHANISM

CONTACT DIRECTION  
3. LOWER CONTACT TYPE  
4. UPPER CONTACT TYPE

FOR AUTOMATIC MOUNTING (SMT)

GOLD PLATING

PACKAGE STYLE

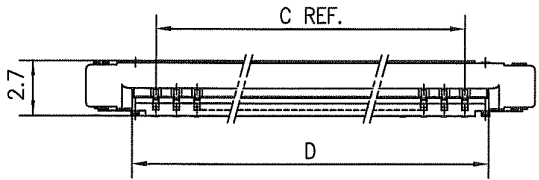
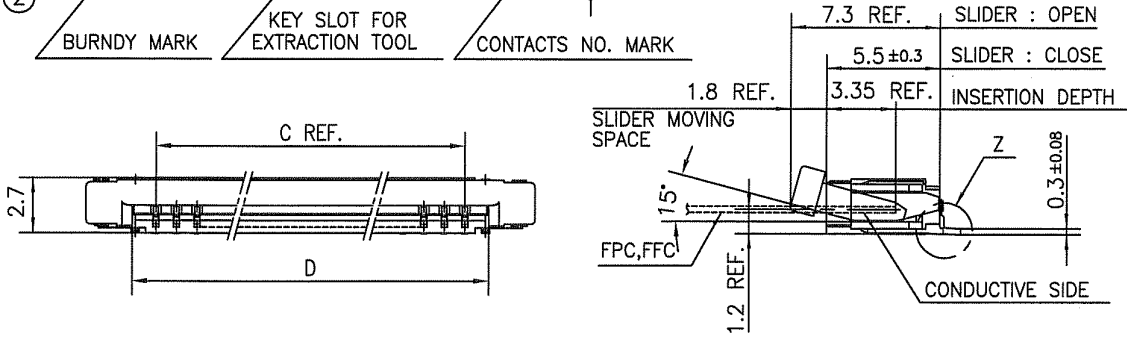
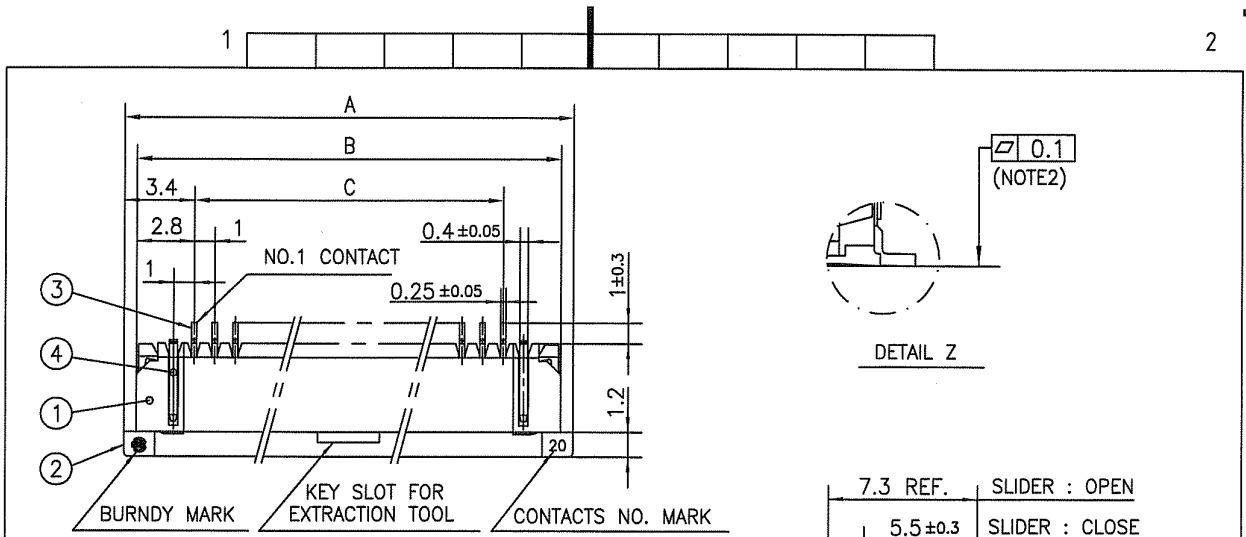
LEAD FREE

NOTES

1. THIS PRODUCT IS THE CONNECTOR USED FOR FPC AND COPE WITH AUTOMATIC MOUNTING (SMT).
2. SEE PART DRAWINGS FOR DIMENSIONS A~D.
3. THIS PRODUCT IS THE CONNECTOR WITH CABLE LOCK MECHANISM.

mat'l. code				surface 58 / tolerance ISO 1302 / ISO 406 / ISO 1101		projection		product family 58RF		CODE JP	
ltr				tolerances unless otherwise specified		mm		title			
ecn no				angles linear		scale X		CAT NO. TABLE FOR 1mm SPACING SMT CONNECTOR (Cat. No. SFW__R-3/4STA__LF)			
dr				dr		FCI		dwg no		sheet 1 of 1 size	
date				enr				JSA 96274		A4	
A J05-0024 H.T. 1/20/05				chr				type		Product Customer Drawing	
B J06-0398 H.T. 9/26/06				appd						Rev. c	
C J09-0363 M.Y. 2009-10-8											
sheet index				revision C							
sheet 1											

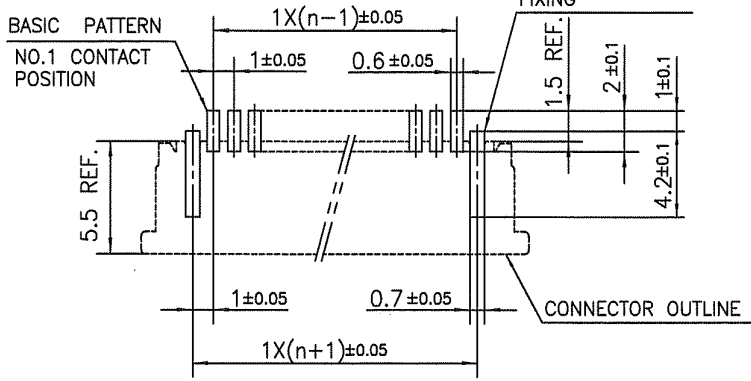
SC-SFW16 form: A4 JSA96275 96276 96277 96280



PT. NO.	PARTS NAME	MATERIAL	Q'TY	NOTE
1	HOUSING	PPS RESIN GLASS REINFORCED (UL94V-0)	1	COLOR:BLACK
2	SLIDER		1	COLOR:BROWN
3	CONTACT	PHOSPHOR BRONZE	n	CONTACT AREA : GOLD TARMINAL AREA : TIN
4	MOUNTING PLATE		2	PLATING:TIN

n : NO. OF CONTACTS

RECOMMENDED PC BOARD LAYOUT (COMPONENT SIDE)



NOTES

1. THIS PRODUCT IS THE CONNECTOR USED FOR FPC AND COPEs WITH AUTOMATIC MOUNTING (SMT).
2. FLATNESS FOR CONTACT TERMINAL HOUSING MUST BE WITHIN TOLERANCE IN Z PORTION DETAILED DRAWING.
3. THIS PRODUCT IS LOWER CONTACT TYPE CONNECTOR WITH CABLE LOCK MECHANISM.
4. THIS PRODUCT MEETS EUROPEAN UNION DIRECTIVES AND OTHER COUNTRY REGULATIONS AS DESCRIBED IN GS-22-008.
5. THE HOUSING WILL WITHSTAND EXPOSURE TO 260°C PEAK TEMPERATURE FOR 10 SECONDS IN A REFLOW SOLDERING OVEN.

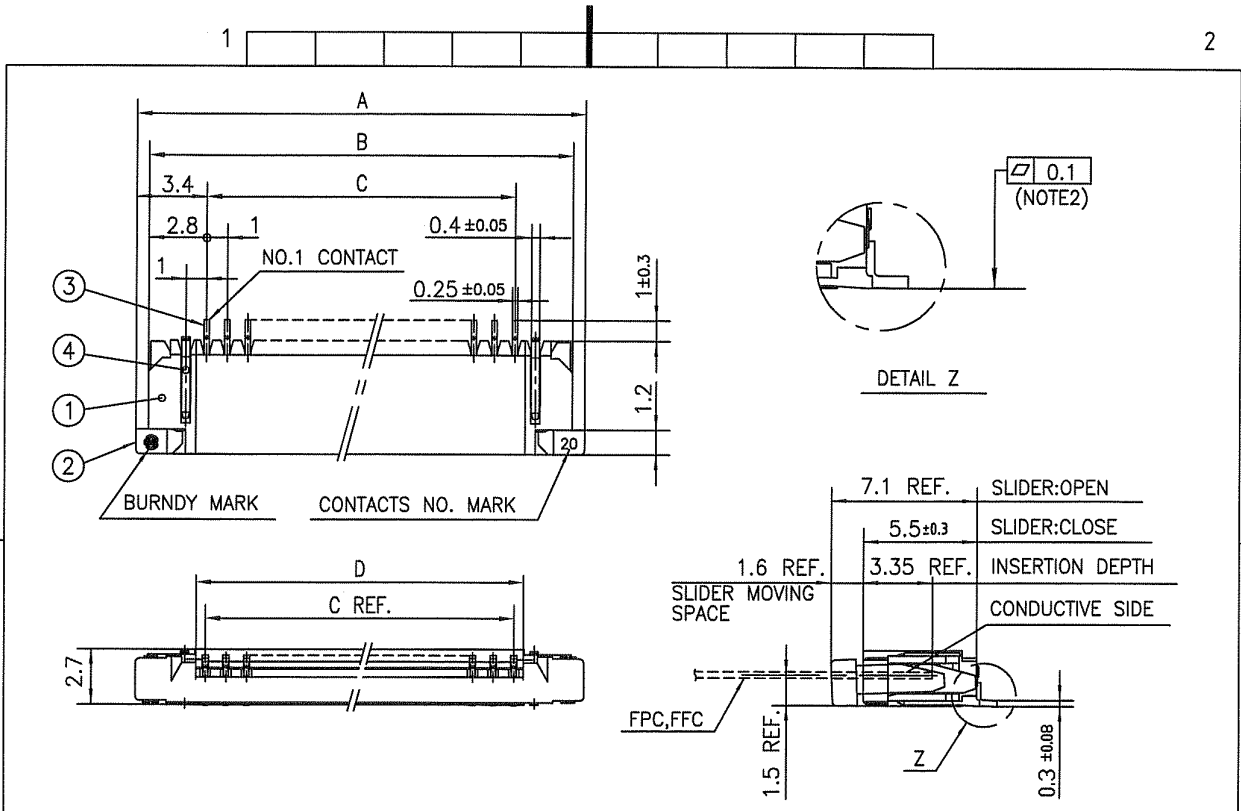
mat'l. code		surface 58 ISO 1302		tolerance ISO 406 ISO 1101		projection mm		product family 58RF		CODE JP	
ltr		ecn no		dr		date		tolerances unless otherwise specified		title	
A		J05-0024		H.T		1/20/05		±0.2		1mm SPACING SMT CONNECTOR (Cat. No. SFW__R-3STA__LF)	
B		J05-0736		H.T		10/28/05		linear			
C		J06-0398		H.T		9/26/06					
D		J09-0363		M.Y		2009-10-8		scale X		dwg no sheet 1 of 1 size	
				dr		H. YAMASHITA 2009-10-8		FCJ		JSA 96275 A4	
				enr		H. YAMASHITA 2009-10-8					
				chr		S. Ueda 2009-10-8					
				appd		S. Ueda 2009-10-8				type Product Customer Drawing	
sheet index		revision		D						Rev. D	
D		sheet		1						D	

SC-SFW16 JSA96274 form: A4



FCIconnect.com

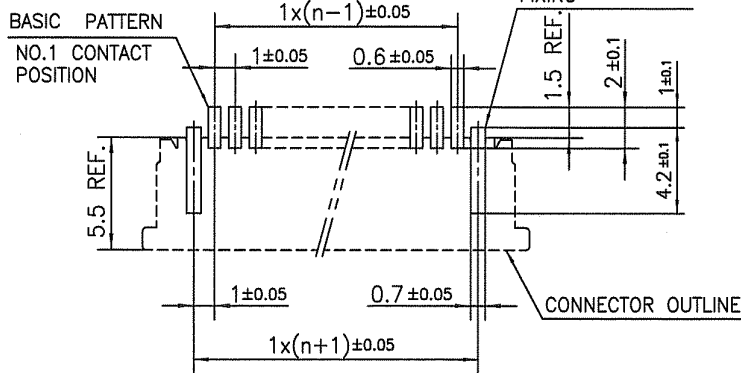
Copyright FCI.



PT. NO.	PARTS NAME	MATERIAL	Q'TY	NOTE
1	HOUSING	PPS RESIN GLASS REINFORCED (UL94V-0)	1	COLOR:BLACK
2	SLIDER	PPS RESIN GLASS REINFORCED (UL94V-0)	1	COLOR:BROWN
3	CONTACT	PHOSPHOR BRONZE	n	CONTACT AREA : GOLD TARMINAL AREA : TIN
4	MOUNTING PLATE		2	PLATING:TIN

n : NO. OF CONTACTS

RECOMMENDED PC BOARD LAYOUT  
(COMPONENT SIDE)



NOTES

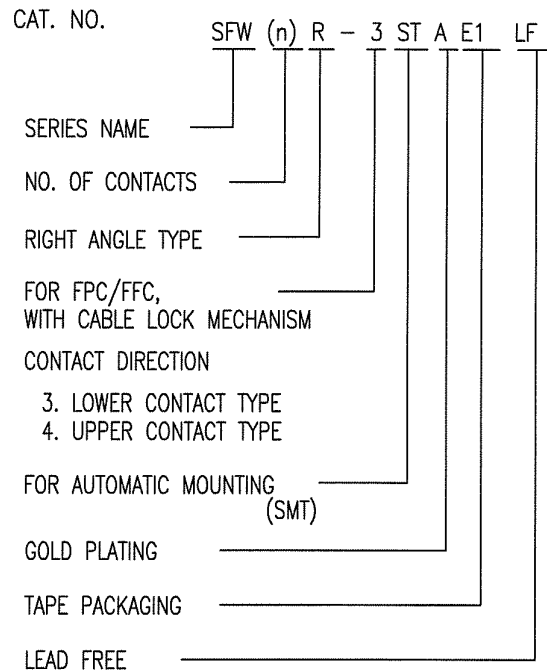
- THIS PRODUCT IS THE CONNECTOR USED FOR FPC AND COPES WITH AUTOMATIC MOUNTING (SMT).
- FLATNESS FOR CONTACT TERMINAL HOUSING MUST BE WITHIN TOLERANCE IN Z PORTION DETAILED DRAWING.
- THIS PRODUCT IS UPPER CONTACT TYPE CONNECTOR WITH CABLE LOCK MECHANISM.
- THIS PRODUCT MEETS EUROPEAN UNION DIRECTIVES AND OTHER COUNTRY REGULATIONS AS DESCRIBED IN GS-22-008.
- THE HOUSING WILL WITHSTAND EXPOSURE TO 260°C PEAK TEMPERATURE FOR 10 SECONDS IN A REFLOW SOLDERING OVEN.

mat'l. code				surface 58	tolerance ISO 1302	ISO 406	projection	product family 58RF	CODE JP
ltr				tolerances, unless otherwise specified		mm		title	
A	J05-0024	H.T	1/20/05	angles	linear	±0.2		1mm SPACING SMT CONNECTOR (Cat. No. SFW__R-4STA__LF)	
B	J05-0736	H.T	10/28/05			scale X		dwg no	
C	J06-0398	H.T	9/26/06			FCI		sheet 1 of 1	
D	J09-0363	M.Y	2009-10-8	dr	M.YAMASHITA	2009-10-8	JSA 96276		size A4
				enr	M.YAMASHITA	2009-10-8	type Product Customer Drawing		Rev. D
				chr	S. Nishida	2009-10-8			
				appd	S. Nishida	2009-10-8			
sheet index		revision	D						
sheet		1							

SC-SFW16 JSA96274  
form: A4

CAT. NO. & DIMENSIONS

NO. OF CONTACTS (n)	CAT. NO. (NOTE2)	DIMENSIONS (NOTE3)		
		E ± 5	F ± 0.3	G ± 0.1
4	SFW4R-3/4STAE1LF	20.4	16	—
5	SFW5R-3/4STAE1LF	28.4	24	—
6	SFW6R-3/4STAE1LF	28.4	24	—
7	SFW7R-3/4STAE1LF	28.4	24	—
8	SFW8R-3/4STAE1LF	28.4	24	—
9	SFW9R-3/4STAE1LF	28.4	24	—
10	SFW10R-3/4STAE1LF	28.4	24	—
11	SFW11R-3/4STAE1LF	28.4	24	—
12	SFW12R-3/4STAE1LF	28.4	24	—
13	SFW13R-3/4STAE1LF	36.4	32	28.4
14	SFW14R-3/4STAE1LF	36.4	32	28.4
15	SFW15R-3/4STAE1LF	36.4	32	28.4
16	SFW16R-3/4STAE1LF	36.4	32	28.4
17	SFW17R-3/4STAE1LF	48.4	44	40.4
18	SFW18R-3/4STAE1LF	48.4	44	40.4
19	SFW19R-3/4STAE1LF	48.4	44	40.4
20	SFW20R-3/4STAE1LF	48.4	44	40.4
21	SFW21R-3/4STAE1LF	48.4	44	40.4
22	SFW22R-3/4STAE1LF	48.4	44	40.4
23	SFW23R-3/4STAE1LF	48.4	44	40.4
24	SFW24R-3/4STAE1LF	48.4	44	40.4
25	SFW25R-3/4STAE1LF	48.4	44	40.4
26	SFW26R-3/4STAE1LF	48.4	44	40.4
27	SFW27R-3/4STAE1LF	48.4	44	40.4
28	SFW28R-3/4STAE1LF	60.4	56	52.4
29	SFW29R-3/4STAE1LF	60.4	56	52.4
30	SFW30R-3/4STAE1LF	60.4	56	52.4

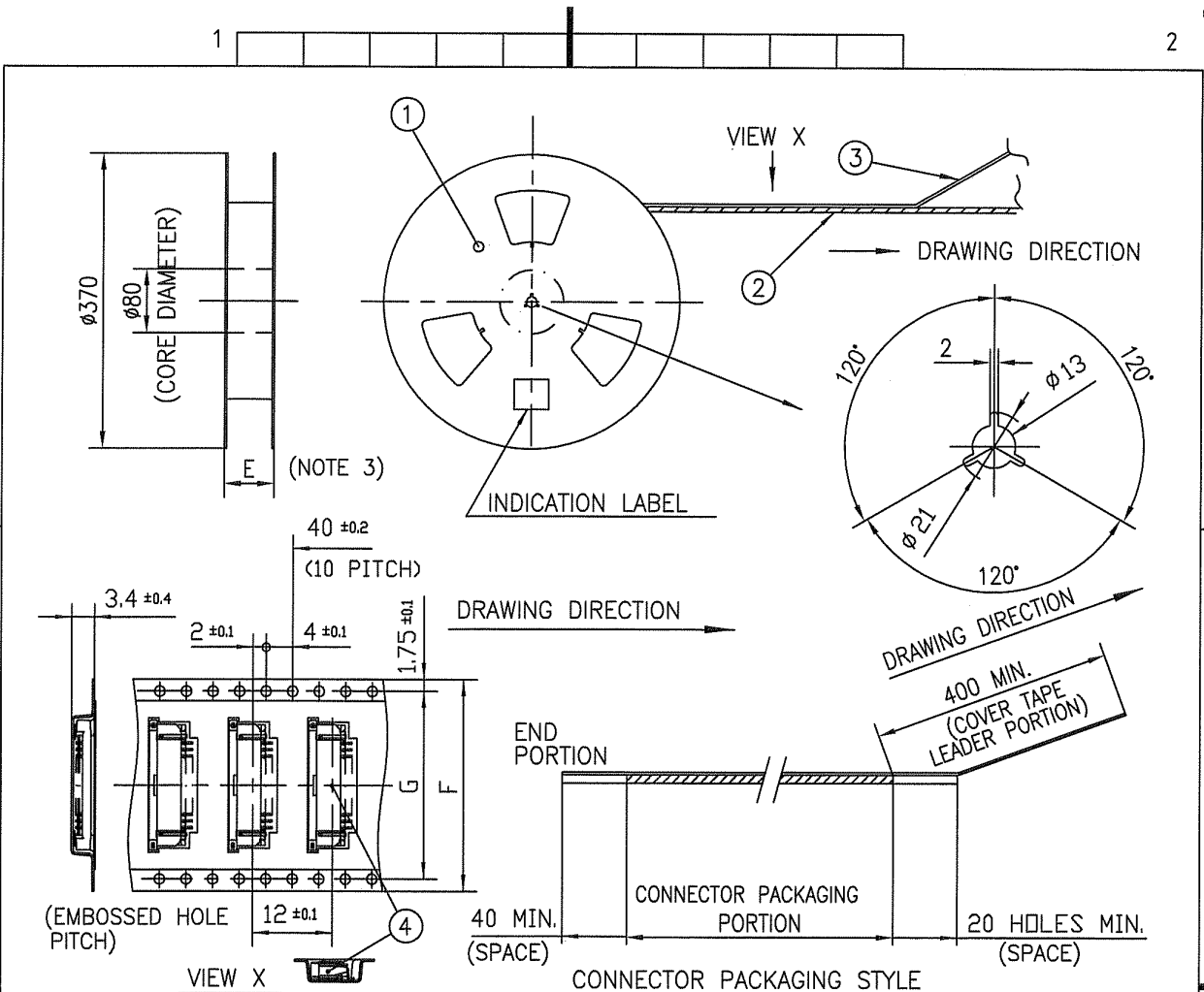


NOTES

1. THIS PRODUCT IS THE CONNECTOR USED FOR FPC AND COPES WITH AUTOMATIC MOUNTING (SMT).
2. THIS CATALOG NO. INDICATES PLASTIC TAPE PACKAGED CONNECTOR.
3. SEE PART DRAWINGS FOR DIMENSIONS E~G.
4. THIS PRODUCT IS THE CONNECTOR WITH CABLE LOCK MECHANISM.

mat'l. code				surface 58/ISO 1302	tolerance ISO 406/ISO 1101	projection	product family 58RF	CODE JP	
ltr	ecn no	dr	date	tolerances unless otherwise specified		mm	title CAT NO. TABLE FOR PLASTIC TAPE PACKAGED 1mm SPACING SMT CONNECTOR (Cat. No. SFW__R-3/4STAE1LF)		
A	J05-0024	H.T	1/20/05	angles	linear				
B	J06-0398	H.T	9/26/06						
C	J09-0363	M.Y	2009-10-8			scale X	dwg no sheet 1 of 1 size		
				dr	M.YAHASHITA	2009-10-8	FCI		
				enr	M.YAHASHITA	2009-10-8			
				chr	P. With...	2009-10-8			
				appd	P. Chidami	2009-10-8			
sheet index	revision	C						type Product Customer Drawing	
	sheet	1						Rev. C	

SC-SFW16 form: A4 JSA96274 96278 96279



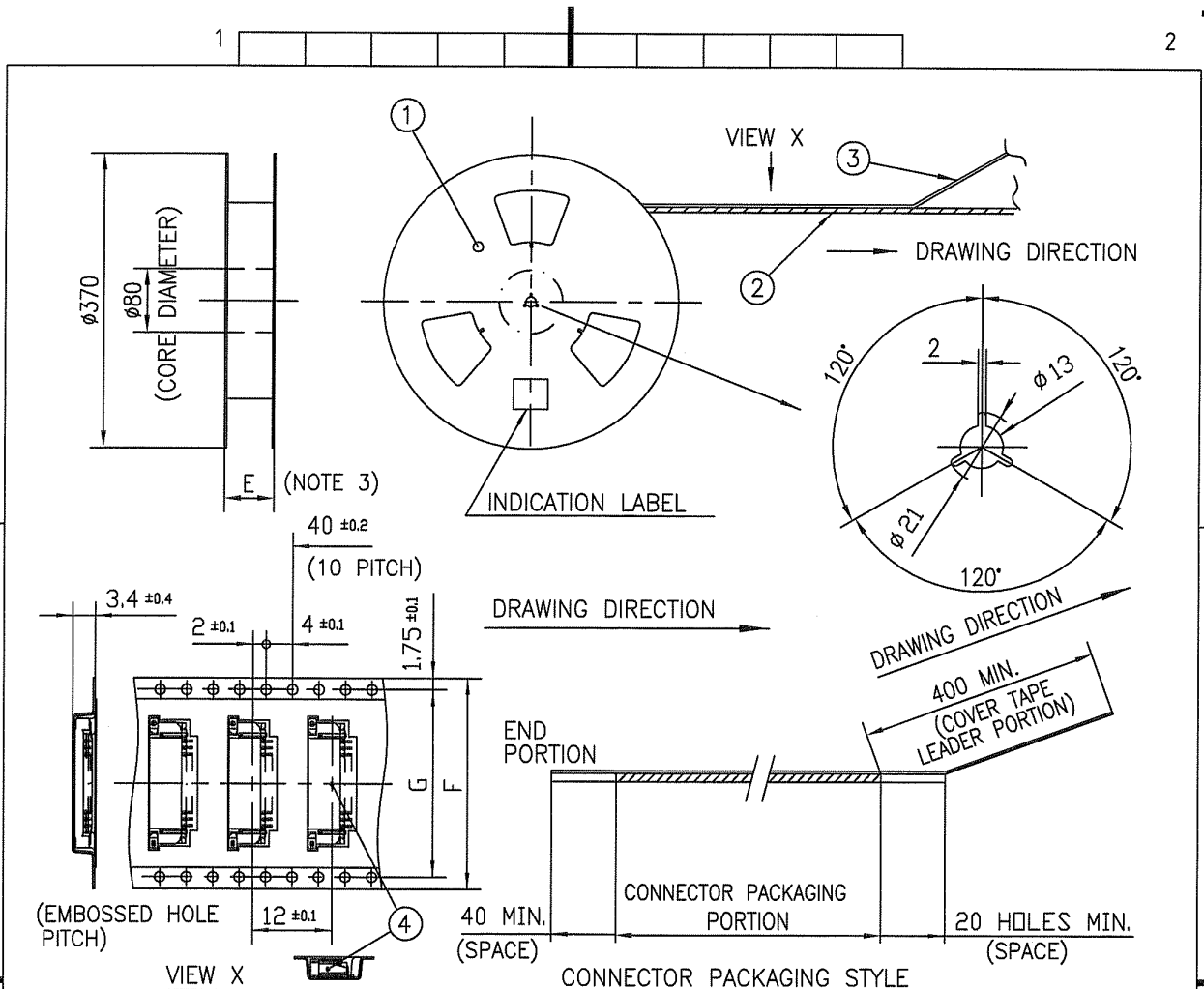
PT. NO.	PARTS NAME	CAT. NO.	MATERIAL	Q'TY	NOTE
1	REEL	—	CARDBOARD	1	COLOR:WHITE
2	PLASTIC (EMBOSS) TAPE	—	PET	—	COLOR:TRANSPARENCY
3	COVER	—	POLYESTER	—	COLOR:TRANSPARENCY
4	CONNECTOR	SFW_R-3STA_LF	SEE ATTACHED DWG.	2000	LOWER CONTACT TYPE

NOTES

- THIS IS PLASTIC TAPE PACKAGED CONNECTOR WITH CABLE LOCK MECHANISM USED FOR FPC AND COPES WITH AUTOMATIC MOUNTING (SMT).
- SEE JIS C 0806 (PACKING OF ELECTRONIC COMPONENTS ON CONTINUOUS TAPES (SURFACE MOUNTING DEVICES)) FOR SHAPE AND DIMENSIONS OF PLASTIC (EMBOSS) TAPE AND REEL.
- E DIMENSION IS PORTION OF THE CORE.

mat'l. code				surface ISO 1302 <input checked="" type="checkbox"/>	tolerance ISO 406 <input checked="" type="checkbox"/>	projection	product family 58RF	CODE JP	
ltr	ecn no	dr	date	tolerances unless otherwise specified		mm	title PLASTIC TAPE PACKAGED 1mm SPACING SMT CONNECTOR (Cat. No. SFW__R-3STAE1LF)		
A	J05-0024	H.T	1/20/05	angles	linear				
B	J06-0398	H.T	9/26/06	±5'	±5				
C	J09-0363	M.Y	2009-10-8	±5'	linear	scale X	dwg no sheet 1 of 1 size		
				dr	M.YAMASHITA	2009-10-8	 JSA 96278 A4		
				enr	M.YAMASHITA	2009-10-8			
				chr	S. Chelam	2009-10-8			
				appd	S. Chelam	2009-10-8			
sheet index	revision	C						type	Product Customer Drawing
	sheet	1						Rev.	C

SC-SFW16 JSA96277  
form: A4



PT. NO.	PARTS NAME	CAT. NO.	MATERIAL	Q'TY	NOTE
1	REEL	—	CARDBOARD	1	COLOR:WHITE
2	PLASTIC (EMBOSS) TAPE	—	PET	—	COLOR:TRANSPARENCY
3	COVER	—	POLYESTER	—	COLOR:TRANSPARENCY
4	CONNECTOR	SFW__R-4STA_LF	SEE ATTACHED DWG.	2000	UPPER CONTACT TYPE

NOTES

- THIS IS PLASTIC TAPE PACKAGED CONNECTOR WITH CABLE LOCK MECHANISM USED FOR FPC AND COPES WITH AUTOMATIC MOUNTING (SMT).
- SEE JIS C 0806 (PACKING OF ELECTRONIC COMPONENTS ON CONTINUOUS TAPES (SURFACE MOUNTING DEVICES)) FOR SHAPE AND DIMENSIONS OF PLASTIC (EMBOSS) TAPE AND REEL.
- E DIMENSION IS PORTION OF THE CORE.

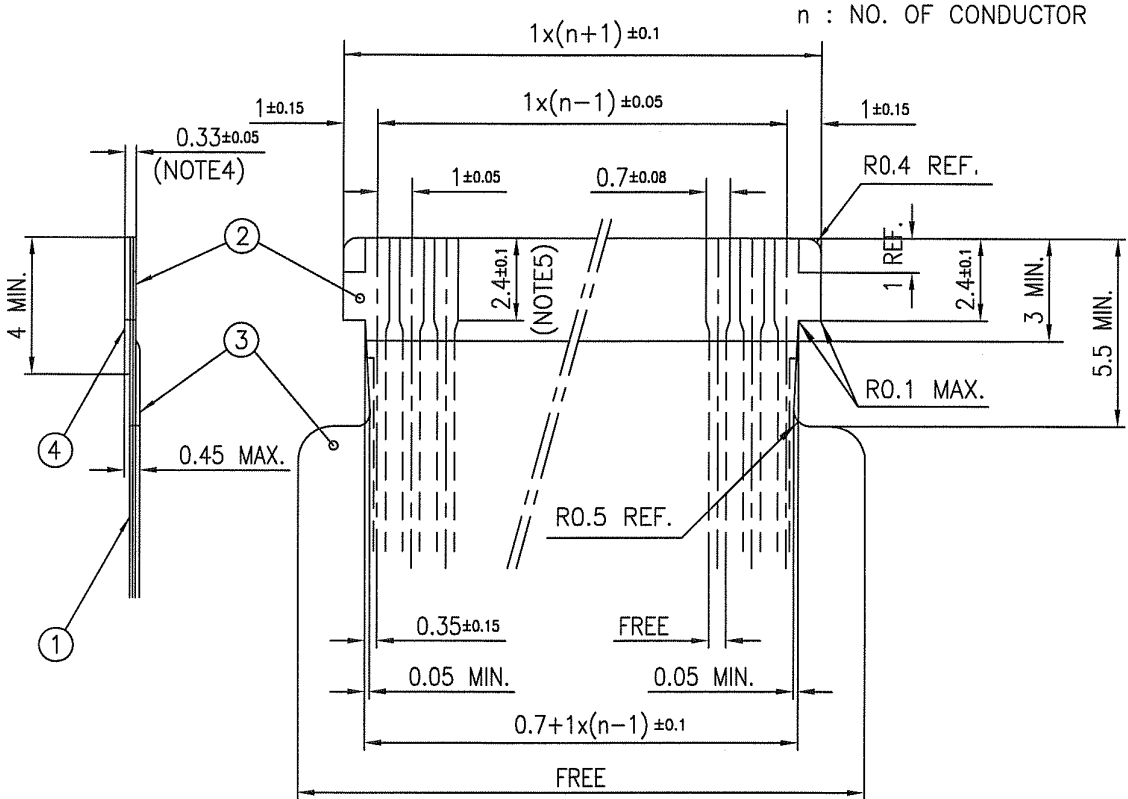
mat'l. code		surface ISO 1302 <input checked="" type="checkbox"/>		tolerance ISO 406 ISO 1101		projection		product family 58RF		CODE JP	
ltr		ecn no		dr		date		title		PLASTIC TAPE PACKAGED 1mm SPACING SMT CONNECTOR (Cat. No. SFW__R-4STAELF)	
A		J05-0024		H.T.		1/20/05		mm		scale X	
B		J06-0398		H.T.		9/26/06		mm		scale X	
C		J09-0363		M.Y.		2009-10-8		mm		scale X	
		dr		H. YAHAGITA		2009-10-8		FCJ		dwg no sheet 1 of 1 size	
		enr		H. YAHAGITA		2009-10-8				JSA 96279 A4	
		chr		S. WILSON		2009-10-8					
		appd		S. Chikawa		2009-10-8					
sheet index		revision		C				type		Product Customer Drawing	
1		sheet		1						Rev. C	

SC-SFW16 form: A4 JSA96277



Copyright FCI.

RECOMMENDED CABLE (FPC)



PT. NO.	PARTS NAME	MATERIAL	THICKNESS (um)
1	BASE FILM	POLYIMIDE OR POLYESTER OR EQUAL	25
2	CONDUCTOR	COPPER FOIL(PLATING : GOLD)	35
3	OVERLAY	POLYIMIDE OR POLYESTER OR EQUAL	—
4	SUPPORTING TAPE	POLYESTER OR POLYIMIDE OR EQUAL	188

NOTES

1. THIS DRAWING INDICATES THE FPC USED THE CONNECTOR WITH CABLE LOCK MECHANISM.
2. NO BURR AT EACH PORTION.
3. NO PEELING IN COMMON USE.
4. TOTAL THICKNESS LIMIT OF EACH MATERIAL (INCLUDING ADHESIVE AGENT) IS SPECIFIED.
5. THIS DIMENSION INDICATES THE RANGE FOR 0.7 ±0.08 CONDUCTOR WIDTH.

mat'l. code		surface 58 ISO 1302 ✓		tolerance ISO 406 ISO 1101		projection ⊕		product family 58RF		CODE JP			
ltr		ecn no		dr		date		tolerances unless otherwise specified		title			
A		J05-0024		H.T		1/20/05		angles		RECOMMENDED CABLE (Cat. No. SFW__R-3/4STA__)			
B		J06-0398		H.T		9/26/06		linear		mm			
C		J09-0363		M.Y		2009-10-8		scale X		scale X			
		dr		H.YAMASHITA		2009-10-8		FCI		dwg no			
		enr		H.YAMASHITA		2009-10-8				sheet 1 of 1		size	
		chr		S. M. K.		2009-10-8				JSA 96280		A4	
		appd		S. M. K.		2009-10-8				type		Product Customer Drawing	
sheet index		revision sheet		C		1				Rev. C			

form: A4



FCIconnect.com

Copyright FCI.

