



FCIconnect.com

Copyright FCI.

List of "SFV\_\_R-1/2STBE5LF" customer document

| DOCUMENT NO. | LIST   |
|--------------|--|
| SC-SFV06     | SPEC.  |
| JSA96013     | CAT.NO.TABLE FOR 0.5mm CONTACT SPACING CONNECTOR (SFV__R-1/2STB_LF)                        |
| JSA96014     | CONNECTOR USED FOR FPC/FFC WITH 0.5mm CONTACT SPACING (SFV__R-1STB_LF)                     |
| JSA96015     | CONNECTOR USED FOR FPC/FFC WITH 0.5mm CONTACT SPACING (SFV__R-2STB_LF)                     |
| JSA97460     | CAT.NO.TABLE FOR PLASTIC TAPE PACKAGED 0.5mm CONTACT SPACING CONNECTOR (SFV__R-1/2STBE5LF) |
| JSA97461     | PLASTIC TAPE PACKAGED 0.5mm CONTACT SPACING CONNECTOR (SFV__R-1STBE5LF)                    |
| JSA97462     | PLASTIC TAPE PACKAGED 0.5mm CONTACT SPACING CONNECTOR (SFV__R-2STBE5LF)                    |
| JSA96019     | RECOMMENDED CABLE (FPC) (SFV__R-1/2ST__LF)   |
| JSA97202     | RECOMMENDED CABLE (FFC) (SFV__R-1/2ST__)   |
| BUM-SFV101   | HANDLING PROCEDURES  |

|                               |          |   |           |                                  |                                       |                |                |                        |   |            |                            |
|-------------------------------|----------|---|-----------|----------------------------------|---------------------------------------|----------------|----------------|------------------------|---|------------|----------------------------|
| mat'l. code                   |          | surface<br>ISO 1302 <input checked="" type="checkbox"/> |           | tolerance<br>ISO 406<br>ISO 1101 |                                       | projection<br> |                | product family<br>58EF |   | CODE<br>JP |                            |
| ltr                           | ecn no   | dr  | date      |                                  | tolerances unless otherwise specified |                | mm<br>         |                        | title<br>0.5mm SPACING FPC/FFC<br>CONNECTOR DOCUMENT LIST<br>(Cat. No. : SFV__R-1/2STBE5LF) |            |                            |
| A                             | J08-0375 | H.T   | 2008-9-18 |                                  | angles<br>linear                      |                |                |                        |   |            |                            |
| sheet index                   |          | revision sheet  | A         | 1                                | dr<br>engr<br>chr<br>appd             |                | scale $\times$ |                        | dwg no<br>JSA 97459   |            | sheet 1 of 1<br>size<br>A4 |
| type Product Customer Drawing |          |   |           |                                  |                                       |                |                | Rev.<br>A              |   |            |                            |

form: A4

1

2

CAT. NO. & DIMENSIONS

| NO. OF CONTACTS (n) | CAT. NO.         | DIMENSIONS (NOTE2) |         |         |         |
|---------------------|------------------|--------------------|---------|---------|---------|
|                     |                  | A ± 0.2            | B ± 0.2 | C ± 0.1 | D ± 0.1 |
| 4                   | SFV4R-1/2STB_LF  | 7.5                | 5.9     | 1.5     | 2.7     |
| 5                   | SFV5R-1/2STB_LF  | 8.0                | 6.4     | 2.0     | 3.2     |
| 6                   | SFV6R-1/2STB_LF  | 8.5                | 6.9     | 2.5     | 3.7     |
| 7                   | SFV7R-1/2STB_LF  | 9.0                | 7.4     | 3.0     | 4.2     |
| 8                   | SFV8R-1/2STB_LF  | 9.5                | 7.9     | 3.5     | 4.7     |
| 9                   | SFV9R-1/2STB_LF  | 10.0               | 8.4     | 4.0     | 5.2     |
| 10                  | SFV10R-1/2STB_LF | 10.5               | 8.9     | 4.5     | 5.7     |
| 11                  | SFV11R-1/2STB_LF | 11.0               | 9.4     | 5.0     | 6.2     |
| 12                  | SFV12R-1/2STB_LF | 11.5               | 9.9     | 5.5     | 6.7     |
| 13                  | SFV13R-1/2STB_LF | 12.0               | 10.4    | 6.0     | 7.2     |
| 14                  | SFV14R-1/2STB_LF | 12.5               | 10.9    | 6.5     | 7.7     |
| 15                  | SFV15R-1/2STB_LF | 13.0               | 11.4    | 7.0     | 8.2     |
| 16                  | SFV16R-1/2STB_LF | 13.5               | 11.9    | 7.5     | 8.7     |
| 17                  | SFV17R-1/2STB_LF | 14.0               | 12.4    | 8.0     | 9.2     |
| 18                  | SFV18R-1/2STB_LF | 14.5               | 12.9    | 8.5     | 9.7     |
| 19                  | SFV19R-1/2STB_LF | 15.0               | 13.4    | 9.0     | 10.2    |
| 20                  | SFV20R-1/2STB_LF | 15.5               | 13.9    | 9.5     | 10.7    |
| 21                  | SFV21R-1/2STB_LF | 16.0               | 14.4    | 10.0    | 11.2    |
| 22                  | SFV22R-1/2STB_LF | 16.5               | 14.9    | 10.5    | 11.7    |
| 23                  | SFV23R-1/2STB_LF | 17.0               | 15.4    | 11.0    | 12.2    |
| 24                  | SFV24R-1/2STB_LF | 17.5               | 15.9    | 11.5    | 12.7    |
| 25                  | SFV25R-1/2STB_LF | 18.0               | 16.4    | 12.0    | 13.2    |
| 26                  | SFV26R-1/2STB_LF | 18.5               | 16.9    | 12.5    | 13.7    |
| 27                  | SFV27R-1/2STB_LF | 19.0               | 17.4    | 13.0    | 14.2    |
| 28                  | SFV28R-1/2STB_LF | 19.5               | 17.9    | 13.5    | 14.7    |
| 29                  | SFV29R-1/2STB_LF | 20.0               | 18.4    | 14.0    | 15.2    |
| 30                  | SFV30R-1/2STB_LF | 20.5               | 18.9    | 14.5    | 15.7    |
| 31                  | SFV31R-1/2STB_LF | 21.0               | 19.4    | 15.0    | 16.2    |
| 32                  | SFV32R-1/2STB_LF | 21.5               | 19.9    | 15.5    | 16.7    |
| 33                  | SFV33R-1/2STB_LF | 22.0               | 20.4    | 16.0    | 17.2    |
| 34                  | SFV34R-1/2STB_LF | 22.5               | 20.9    | 16.5    | 17.7    |
| 35                  | SFV35R-1/2STB_LF | 23.0               | 21.4    | 17.0    | 18.2    |

CAT. NO. SFV (n) R - 1 ST B -- LF

SERIES NAME

NO. OF CONTACTS

RIGHT ANGLE TYPE

FOR FPC/FFC, CONTACT DIRECTION

1. LOWER CONTACT TYPE  
2. UPPER CONTACT TYPE

FOR AUTOMATIC MOUNTING (SMT)

PLATING VARIATION

PACKAGE STYLE

LEAD FREE

NOTES

- THIS PRODUCT IS THE CONNECTOR USED FOR FPC AND COPEs WITH AUTOMATIC MOUNTING (SMT).
- SEE PART DRAWINGS FOR DIMENSIONS A-D.

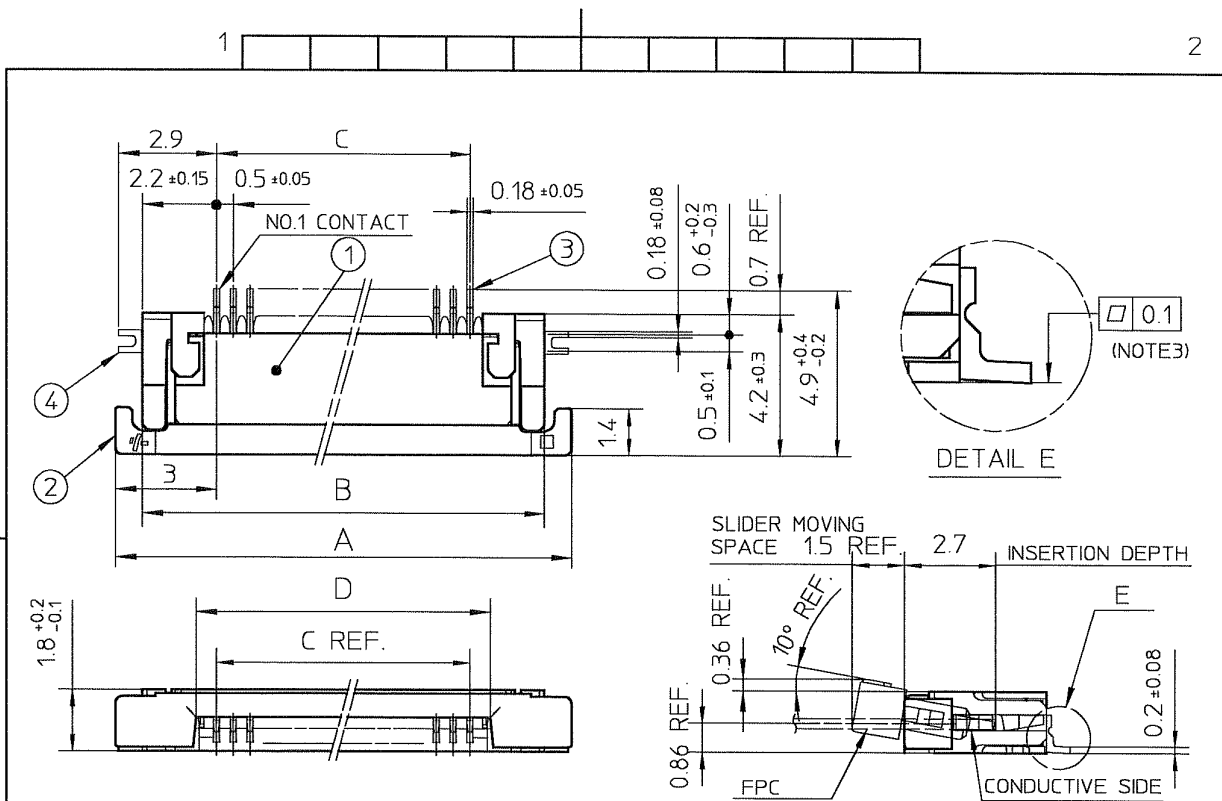


FCIconnect.com

Copyright FCI

|             |          |            |         |                                       |  |                            |  |            |  |   |  |           |  |            |      |
|-------------|----------|------------|---------|---------------------------------------|--|----------------------------|--|------------|--|---|--|-----------|--|------------|------|
| mat'l. code |          |            |         | surface ISO 1302 ✓                    |  | tolerance ISO 406 ISO 1101 |  | projection |  | product family 58EF   |  |           |  |            |      |
| ltr         | ecn no   | dr         | date    | tolerances unless otherwise specified |  |                            |  |            |  | title   |  |           |  |            |      |
| A           | J04-0186 | H.T        | '04/8/9 | angles                                |  | linear                     |  | ← →        |  | CAT. NO. TABLE FOR 0.5 mm CONTACT SPACING CONNECTOR (Cat. No. : SFV__R-1/2STB_LF) |  |           |  |            |      |
| B           | J04-0454 | H.T        | '05/2/7 |                                       |  |                            |  |            |  | scale X   |  | dwg no    |  | sheet 1of1 | size |
| C           | J06-0372 | H.T        | '06/9/7 |                                       |  |                            |  |            |  | FCI   |  | JSA 96013 |  | A4         |      |
|             |          |            |         | dr                                    |  | 9/9/06                     |  |            |  | type Product Customer Drawing   |  |           |  |            |      |
|             |          |            |         | enrg                                  |  | 9/9/06                     |  |            |  |   |  |           |  |            |      |
|             |          |            |         | chr                                   |  | 9/8/06                     |  |            |  |   |  |           |  |            |      |
|             |          |            |         | appd                                  |  | 9/10/06                    |  |            |  |   |  |           |  |            |      |
| sheet index |          | revision C |         |                                       |  |                            |  |            |  |   |  | Rev. C    |  |            |      |
|             |          | sheet 1    |         |                                       |  |                            |  |            |  |   |  |           |  |            |      |

SC-SFV06 JSA96014, 96015, 96016, 96017, 96018, 96019 form: A4

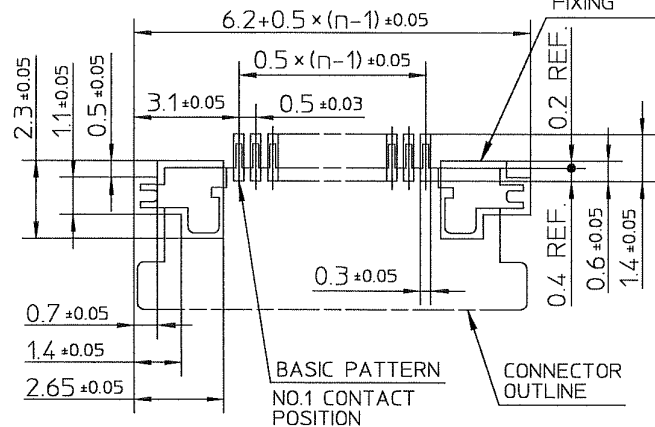


| PT. NO. | PARTS NAME     | MATERIAL                                   | Q'TY | NOTE                |
|---------|----------------|--|------|---------------------|
| 1       | HOUSING        | POLYAMIDE RESIN GLASS REINFORCED (UL94V-0) | 1    | COLOR : BLACK       |
| 2       | SLIDER         | PPS RESIN GLASS REINFORCED (UL94V-0)       | 1    | COLOR : BROWN       |
| 3       | CONTACT        | PHOSPHOR BRONZE                            | n    | PLATING : GOLD      |
| 4       | MOUNTING PLATE |  | 2    | PLATING : LEAD FREE |

RECOMMENDED PC BOARD LAYOUT  
(COMPONENT SIDE)

PATTERN FOR MOUNTING PLATE  
FIXING

n : NO. OF CONTACTS



NOTES

1. THIS PRODUCT IS THE CONNECTOR USED FOR FPC AND COPES WITH AUTOMATIC MOUNTING (SMT).
2. THIS PRODUCT IS LOWER CONTACT TYPE CONNECTOR.
3. FLATNESS OF CONTACT TERMINAL AND MOUNTING PLATE MUST BE WITHIN TOLERANCE IN E PORTION DETAILED DRAWING.
4. THIS PRODUCT MEETS EUROPEAN UNION DIRECTIVES AND OTHER COUNTRY REGULATIONS AS DESCRIBED IN GS-22-008.
5. THE HOUSING WILL WITHSTAND EXPOSURE TO 260°C PEAK TEMPERATURE FOR 10 SECONDS IN A REFLOW SOLDERING OVEN.

|             |  |  |  |                       |  |                               |  |            |  |  |  |
|-------------|--|--|--|-----------------------|--|-------------------------------|--|------------|--|--|--|
| mat'l. code |  |  |  | surface<br>ISO 1302 ✓ |  | tolerance<br>ISO 406 ISO 1101 |  | projection |  | product family<br>58EF   |  |
| ltr         |  |  |  | ecn no                |  | dr                            |  | date       |  | title  |  |
| A           |  |  |  | J04-0186              |  | H.T                           |  | '04/8/9    |  | CONNECTOR USED FOR FPC<br>WITH 0.5 mm CONTACT SPACING<br>(Cat No. : SFV__R-1STB__LF) |  |
| B           |  |  |  | J04-0454              |  | H.T                           |  | '05/2/7    |  | dwg no<br>JSA 96014  |  |
| C           |  |  |  | J05-0710              |  | H.T                           |  | '05/10/21  |  |  |  |
| D           |  |  |  | J06-0064              |  | H.T                           |  | '06/2/23   |  | sheet 1 of 1   |  |
| E           |  |  |  | J06-0372              |  | H.T                           |  | '06/9/7    |  | size<br>A4   |  |
| sheet       |  |  |  | revision              |  | E                             |  |            |  | type Product Customer Drawing  |  |
| index       |  |  |  | sheet                 |  | 1                             |  |            |  | Rev.<br>E  |  |

SC-SFV06 JSA96013  
form: A4

1

2



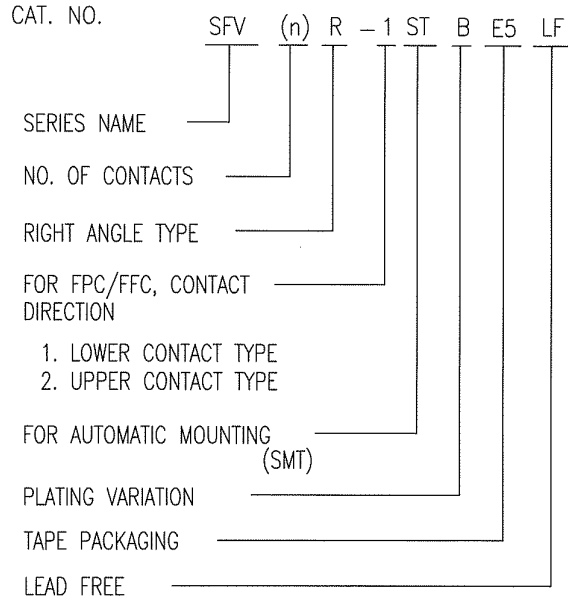
FCIconnect.com

Copyright FCI



CAT. NO. & DIMENSIONS

| NO. OF CONTACTS (n) | CAT. NO.          | DIMENSIONS (NOTE3) |         |         |
|---------------------|-------------------|--------------------|---------|---------|
|                     |                   | F max.             | G ± 0.3 | H ± 0.1 |
| 4                   | SFV4R-1/2STBE5LF  | 22.4               | 16      | —       |
| 5                   | SFV5R-1/2STBE5LF  | 22.4               | 16      | —       |
| 6                   | SFV6R-1/2STBE5LF  | 22.4               | 16      | —       |
| 7                   | SFV7R-1/2STBE5LF  | 30.4               | 24      | —       |
| 8                   | SFV8R-1/2STBE5LF  | 30.4               | 24      | —       |
| 9                   | SFV9R-1/2STBE5LF  | 30.4               | 24      | —       |
| 10                  | SFV10R-1/2STBE5LF | 30.4               | 24      | —       |
| 11                  | SFV11R-1/2STBE5LF | 30.4               | 24      | —       |
| 12                  | SFV12R-1/2STBE5LF | 30.4               | 24      | —       |
| 13                  | SFV13R-1/2STBE5LF | 30.4               | 24      | —       |
| 14                  | SFV14R-1/2STBE5LF | 30.4               | 24      | —       |
| 15                  | SFV15R-1/2STBE5LF | 30.4               | 24      | —       |
| 16                  | SFV16R-1/2STBE5LF | 30.4               | 24      | —       |
| 17                  | SFV17R-1/2STBE5LF | 30.4               | 24      | —       |
| 18                  | SFV18R-1/2STBE5LF | 30.4               | 24      | —       |
| 19                  | SFV19R-1/2STBE5LF | 30.4               | 24      | —       |
| 20                  | SFV20R-1/2STBE5LF | 30.4               | 24      | —       |
| 21                  | SFV21R-1/2STBE5LF | 30.4               | 24      | —       |
| 22                  | SFV22R-1/2STBE5LF | 30.4               | 24      | —       |
| 23                  | SFV23R-1/2STBE5LF | 38.4               | 32      | 28.4    |
| 24                  | SFV24R-1/2STBE5LF | 38.4               | 32      | 28.4    |
| 25                  | SFV25R-1/2STBE5LF | 38.4               | 32      | 28.4    |
| 26                  | SFV26R-1/2STBE5LF | 38.4               | 32      | 28.4    |
| 27                  | SFV27R-1/2STBE5LF | 38.4               | 32      | 28.4    |
| 28                  | SFV28R-1/2STBE5LF | 38.4               | 32      | 28.4    |
| 29                  | SFV29R-1/2STBE5LF | 38.4               | 32      | 28.4    |
| 30                  | SFV30R-1/2STBE5LF | 38.4               | 32      | 28.4    |
| 31                  | SFV31R-1/2STBE5LF | 50.4               | 44      | 40.4    |
| 32                  | SFV32R-1/2STBE5LF | 50.4               | 44      | 40.4    |
| 33                  | SFV33R-1/2STBE5LF | 50.4               | 44      | 40.4    |
| 34                  | SFV34R-1/2STBE5LF | 50.4               | 44      | 40.4    |
| 35                  | SFV35R-1/2STBE5LF | 50.4               | 44      | 40.4    |



NOTES

1. THIS PRODUCT IS THE CONNECTOR USED FOR FPC/FFC AND COPES WITH AUTOMATIC MOUNTING (SMT).
2. THIS CATALOG NO. INDICATES PLASTIC TAPE PACKAGED CONNECTOR.
3. SEE PART DRAWINGS FOR DIMENSIONS F~H.



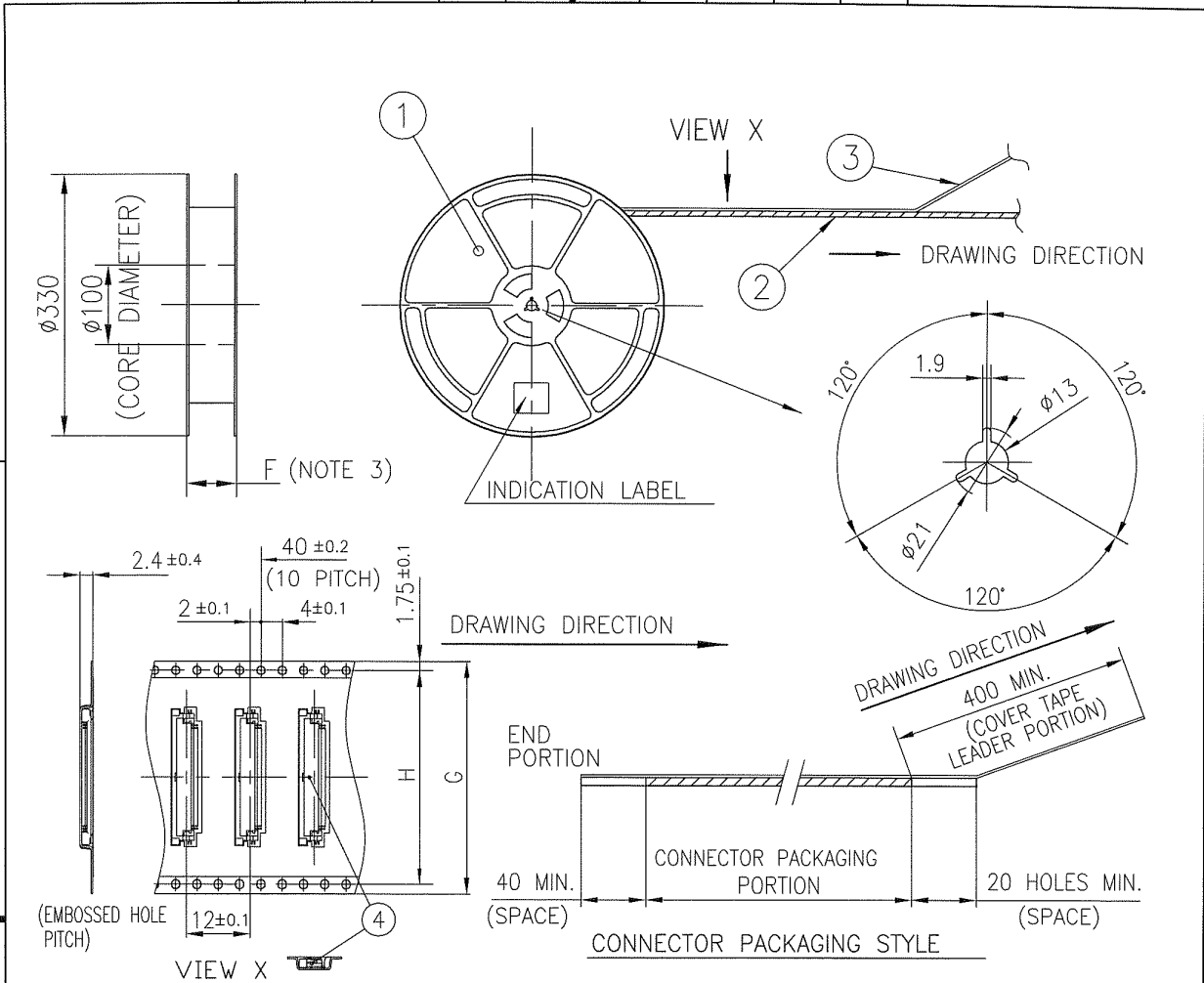
FCIconnect.com

Copyright FCI.

|                          |  |  |                                       |  |   |  |                               |  |  |  |                      |  |
|--------------------------|--|--|---------------------------------------|--|---|--|-------------------------------|--|--|--|----------------------|--|
| mat'l. code              |  |  | surface ISO 1302 ✓                    |  | tolerance ISO 406 ISO 1101              |  | projection                    |  | product family 58EF  |  | CODE JP              |  |
| litr ecn no dr date      |  |  | tolerances unless otherwise specified |  | mm                                      |  | mm                            |  | title  |  |                      |  |
| A J08-0375 H.T 2008-9-18 |  |  | angles linear                         |  | mm                                      |  | scale X                       |  | CAT. NO. TABLE FOR PLASTIC TAPE PACKAGED 0.5 mm CONTACT SPACING CONNECTOR (Cat. No. : SFV__R-1/2STBE5LF) |  |                      |  |
|                          |  |  | dr engr chr appd                      |  | 2008-9-18 2008-9-18 2008-9-18 2008-9-18 |  | FCI                           |  | dwg no JSA 97460   |  | sheet 1 of 1 size A4 |  |
| sheet index              |  |  | revision sheet                        |  | A 1                                     |  | type Product Customer Drawing |  | Rev A  |  |                      |  |

SC-SFV06 JSA96013 97461 97462 form: A4





| PT. NO. | PARTS NAME            | CAT. NO.       | MATERIAL          | Q'TY | NOTE                 |
|---------|-----------------------|----------------|-------------------|------|----------------------|
| 1       | REEL                  | —              | POLYSTYRENE       | 1    | COLOR : BLACK        |
| 2       | PLASTIC (EMBOSS) TAPE | —              | A-PET             | —    | COLOR : TRANSPARENCY |
| 3       | COVER                 | —              | POLYESTER         | —    | COLOR : TRANSPARENCY |
| 4       | CONNECTOR             | SFV__R-1STB_LF | SEE ATTACHED DWG. | 2500 | LOWER CONTACT TYPE   |

NOTES

- THIS IS PLASTIC TAPE PACKAGED CONNECTOR USED FOR FPC/FFC AND CYPES WITH AUTOMATIC MOUNTING (SMT).
- SEE JIS C 0806 (PACKING OF ELECTRONIC COMPONENTS ON CONTINUOUS TAPES (SURFACE MOUNTING DEVICES)) FOR SHAPE AND DIMENSIONS OF PLASTIC (EMBOSS) TAPE AND REEL.
- F DIMENSION IS PORTION OF THE CORE.

|                          |  |  |                                       |  |                            |  |                               |  |   |  |         |  |
|--------------------------|--|--|---------------------------------------|--|----------------------------|--|-------------------------------|--|---|--|---------|--|
| mat'l. code              |  |  | surface ISO 1302 ✓                    |  | tolerance ISO 406 ISO 1101 |  | projection                    |  | product family 58EF   |  | CODE JP |  |
| ltr ecn no dr date       |  |  | tolerances unless otherwise specified |  | ±5                         |  | mm                            |  | title PLASTIC TAPE PACKAGED 0.5 mm CONTACT SPACING CONNECTOR (Cat. No. : SFV__R-1STBE5LF) |  |         |  |
| A J08-0375 H.T 2008-9-18 |  |  | angles linear                         |  | ±5'                        |  | scale X                       |  | dwg no sheet 1 of 1 size JSA 97461 A4   |  |         |  |
| sheet index              |  |  | revision A                            |  | sheet 1                    |  | type Product Customer Drawing |  | Rev. A  |  |         |  |

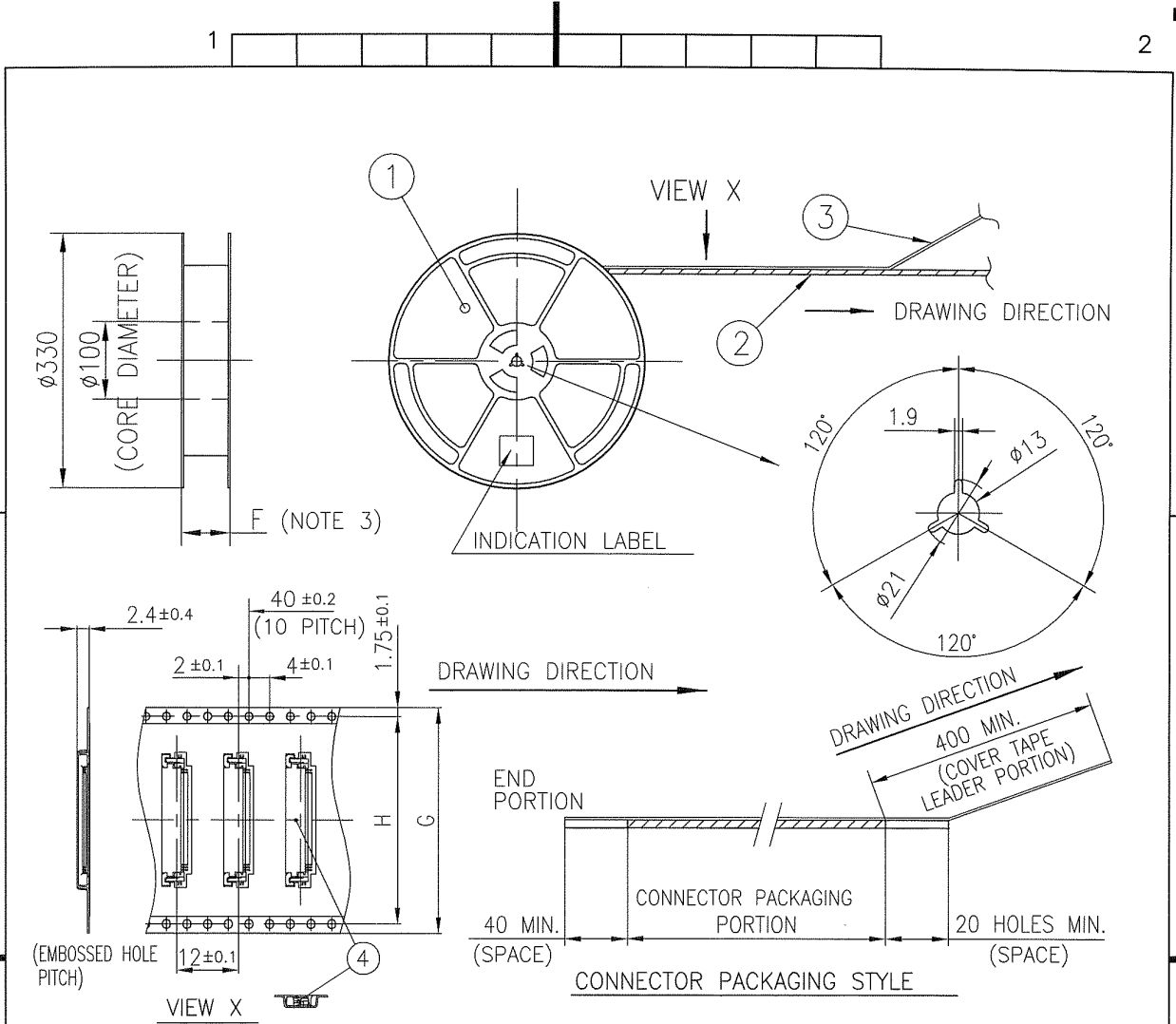
SC-SFV06 JSA97460 form: A4



FCIconnect.com

Copyright FCI.





| PT. NO. | PARTS NAME            | CAT. NO.        | MATERIAL          | Q'TY | NOTE                 |
|---------|-----------------------|-----------------|-------------------|------|----------------------|
| 1       | REEL                  | —               | POLYSTYRENE       | 1    | COLOR : BLACK        |
| 2       | PLASTIC (EMBOSS) TAPE | —               | A-PET             | —    | COLOR : TRANSPARENCY |
| 3       | COVER                 | —               | POLYESTER         | —    | COLOR : TRANSPARENCY |
| 4       | CONNECTOR             | SFV__R-2STB__LF | SEE ATTACHED DWG. | 2500 | LOWER CONTACT TYPE   |

NOTES

- THIS IS PLASTIC TAPE PACKAGED CONNECTOR USED FOR FPC/FFC AND COPES WITH AUTOMATIC MOUNTING (SMT).
- SEE JIS C 0806 (PACKING OF ELECTRONIC COMPONENTS ON CONTINUOUS TAPES (SURFACE MOUNTING DEVICES)) FOR SHAPE AND DIMENSIONS OF PLASTIC (EMBOSS) TAPE AND REEL.
- F DIMENSION IS PORTION OF THE CORE.

|                          |  |                                       |  |                            |  |                     |  |   |  |                               |  |
|--------------------------|--|---------------------------------------|--|----------------------------|--|---------------------|--|---|--|-------------------------------|--|
| mat'l. code              |  | surface ISO 1302 ✓                    |  | tolerance ISO 406 ISO 1101 |  | projection          |  | product family 58EF   |  | CODE JP                       |  |
| ltr ecn no dr date       |  | tolerances unless otherwise specified |  | ±5                         |  | mm                  |  | title   |  | size                          |  |
| A J08-0375 H.T 2008-9-18 |  | angles linear                         |  | ±5'                        |  | scale X             |  | PLASTIC TAPE PACKAGED<br>0.5 mm CONTACT SPACING CONNECTOR<br>(Cat. No. : SFV__R-2STBE5LF) |  | A4                            |  |
| dr                       |  | engr                                  |  | chr                        |  | appd                |  | dwg no  |  | sheet 1 of 1                  |  |
| S. Witala 2008-9-18      |  | S. Witala 2008-9-18                   |  | S. Witala 2008-9-18        |  | S. Witala 2008-9-18 |  | JSA 97462   |  | type Product Customer Drawing |  |
| sheet index              |  | revision sheet                        |  | A 1                        |  |                     |  |   |  | Rev A                         |  |

SC-SFV06 JSA97460  
form: A4



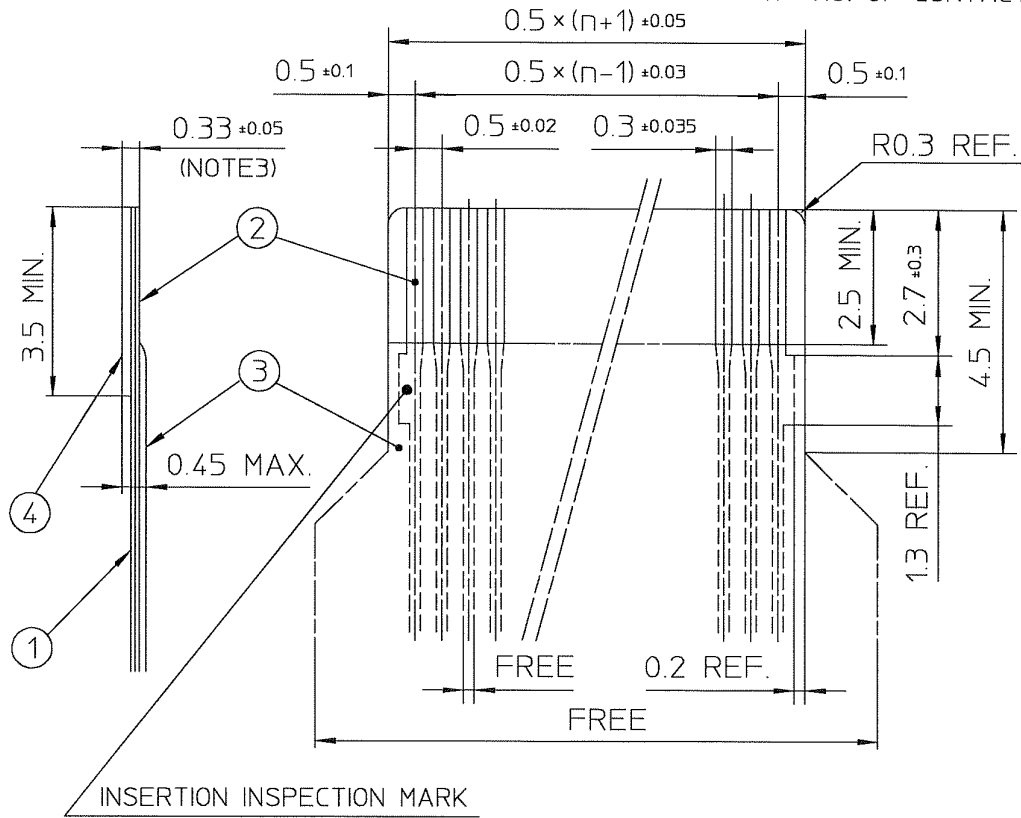
FCIconnect.com

Copyright FCI.



RECOMMENDED CABLE (FPC)

n : NO. OF CONTACTS



| PT. NO. | PARTS NAME      | MATERIAL                        | THICKNESS(μm) |
|---------|-----------------|---------------------------------|---------------|
| 1       | BASE FILM       | POLYIMIDE OR POLYESTER OR EQUAL | 25            |
| 2       | CONDUCTOR       | COPPER FOIL(PLATING : GOLD )    | 35            |
| 3       | OVERLAY         | POLYIMIDE OR POLYESTER OR EQUAL | —             |
| 4       | SUPPORTING TAPE | POLYESTER OR POLYIMIDE OR EQUAL | 188           |

NOTES

1. NO BURR AT EACH PORTION.
2. NO PEELING IN COMMON USE.
3. TOTAL THICKNESS LIMIT OF EACH MATERIAL (INCLUDING ADHESIVE AGENT) IS SPECIFIED.

|             |                |     |         |                                       |        |                            |  |            |                               |  |  |        |
|-------------|----------------|-----|---------|---------------------------------------|--------|----------------------------|--|------------|-------------------------------|--|--|--------|
| mat'l. code |                |     |         | surface ISO 1302 ✓                    |        | tolerance ISO 406 ISO 1101 |  | projection |                               | product family 58EF  |  |        |
| ltr         | ecn no         | dr  | date    | tolerances unless otherwise specified |        |                            |  |            |                               | title<br>RECOMMENDED CABLE<br>(Cat. No. : SFV__R-1/2ST___LF) |  |        |
| A           | J04-0186       | H.T | '04/8/9 | angles                                | linear |                            |  |            |                               |  |  |        |
| B           | J04-0454       | H.T | '05/2/7 |                                       |        |                            |  |            |                               | dwg no JSA 96019 sheet 1 of 1 size A4                        |  |        |
| C           | J06-0372       | H.T | '06/9/7 |                                       |        |                            |  |            |                               |  |  |        |
|             |                |     |         | dr                                    | /9/06  |                            |  |            | type Product Customer Drawing |  |  |        |
|             |                |     |         | enr                                   | /9/06  |                            |  |            |                               |  |  |        |
|             |                |     |         | chr                                   | /9/06  |                            |  |            |                               |  |  |        |
|             |                |     |         | appd                                  | /9/06  |                            |  |            |                               |  |  |        |
| sheet index | revision sheet | C   | 1       |                                       |        |                            |  |            |                               |  |  | Rev. C |

SC-SFV06 JSA96013 form: A4

1

2



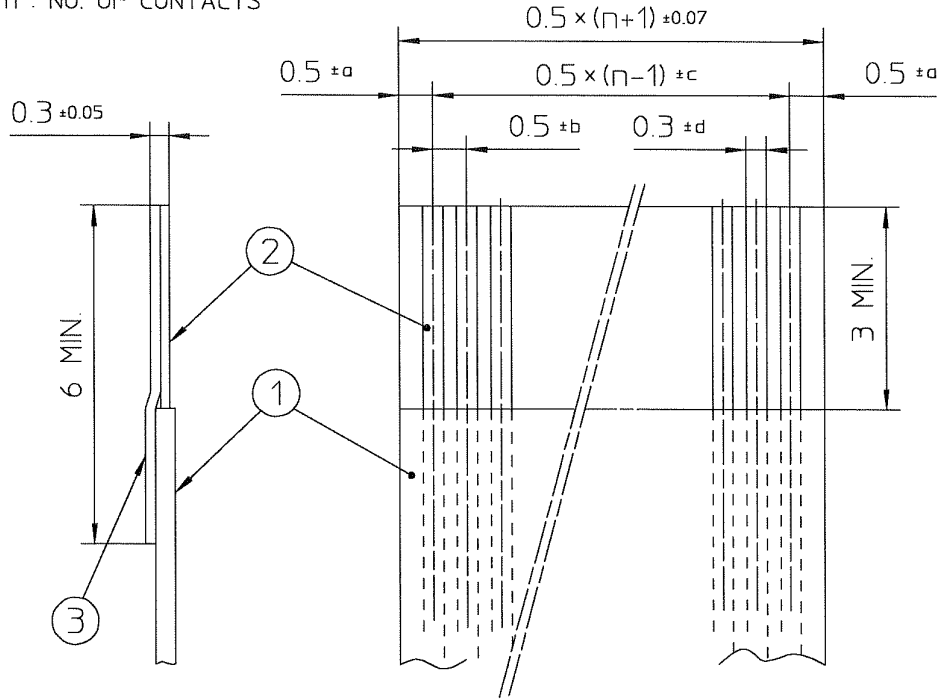
FCIconnect.com

Copyright FCI



RECOMMENDED CABLE (FFC)

n : NO. OF CONTACTS



| KIND OF FFC (NOTE3) | DIMENSIONAL TOLERANCE |       |       |        |
|---------------------|-----------------------|-------|-------|--------|
|                     | a                     | b     | c     | d      |
| 1                   | ±0.07                 | ±0.04 | ±0.05 | ±0.02  |
| 2                   | ±0.1                  | ±0.03 | ±0.03 | ±0.025 |

| PT. NO. | PARTS NAME      | MATERIAL                           |
|---------|-----------------|------------------------------------|
| 1       | INSULATOR       | FLAME RESISTING POLYESTER OR EQUAL |
| 2       | CONDUCTOR       | COPPER FOIL (PLATING : GOLD)       |
| 3       | SUPPORTING TAPE | FLAME RESISTING POLYESTER OR EQUAL |

NOTES

1. NO BURR AT EACH PORTION.
2. NO PEELING IN COMMON USE.
3. EITHER KIND1 OR KIND2 OF FFC CAN ACCEPT DIMENSIONAL TOLERANCE a,b,c AND d.

|             |                |     |          |                                       |                            |                |   |
|-------------|----------------|-----|----------|---------------------------------------|----------------------------|----------------|---|
| mat'l. code |                |     |          | surface ISO 1302 ✓                    | tolerance ISO 406 ISO 1101 | projection     | product family 58EF                                       |
| ltr         | ecn no         | dr  | date     | tolerances unless otherwise specified |                            | scale $\times$ | title<br>RECOMMENDED CABLE<br>(Cat. No. : SFV__R-1/2ST__) |
| A           | J06-0499       | H.T | 11/27/06 | angles                                | linear                     |                |   |
|             |                |     |          | dr                                    | <i>[Signature]</i>         |                | dwg no  |
|             |                |     |          | enr                                   | <i>[Signature]</i>         |                | sheet 1 of 1  |
|             |                |     |          | chr                                   | <i>[Signature]</i>         |                | JSA 97202   |
|             |                |     |          | appd                                  | <i>[Signature]</i>         |                | A4  |
|             |                |     |          | type Product Customer Drawing         |                            |                | size  |
| sheet index | revision sheet | A   | 1        |                                       |                            |                | Rev. A  |



FCJconnect.com

Copyright FCJ