

.070 MULTILOCK Connectors Wire to wire Applications

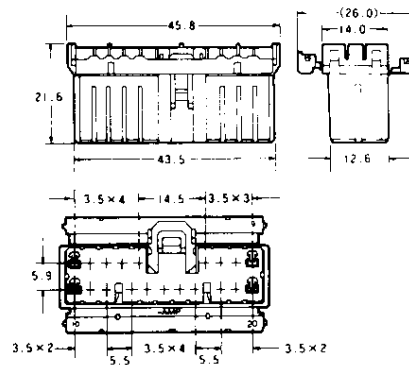
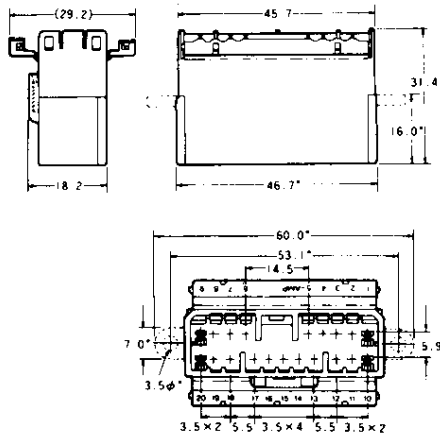
Cap

Plug

Part Number : 174936-□
Part Number : 174938-□ (Panel Mount Type)

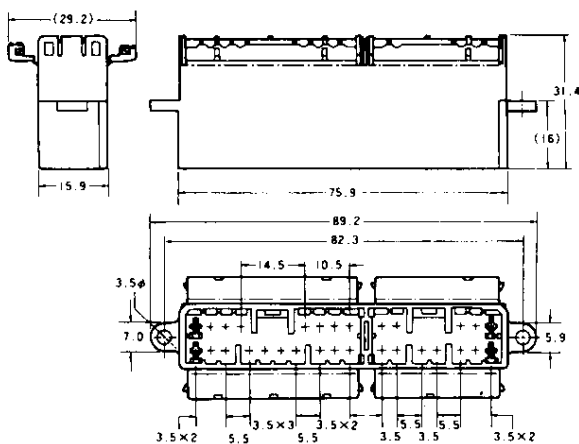
20
Pos.

Part Number : 174952-□



Part Number : 174939-□ (Panel Mount Type)

30
Pos.



Accepts 12 pos. and 18 pos. plugs.

18pos. plugs.

Part Number : 173853-□

12pos. plugs.

Part Number : 173851-□

*The material of housing is of PBT.

*The figures in □ after part numbers vary according to housing colors, etc.