

1.0mm Pitch

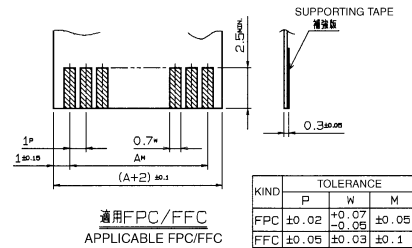
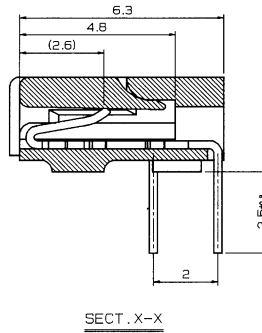
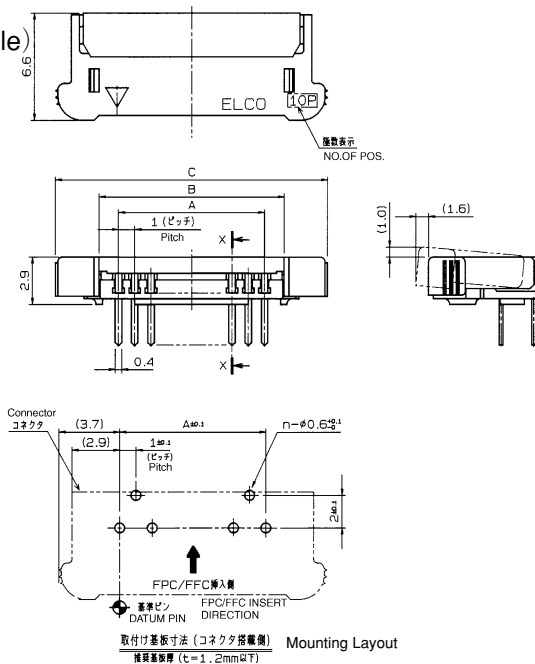
SERIES

6200

1.0mmピッチ RA DIP SMT 下接点 スライドロック

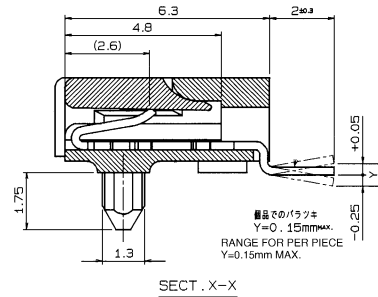
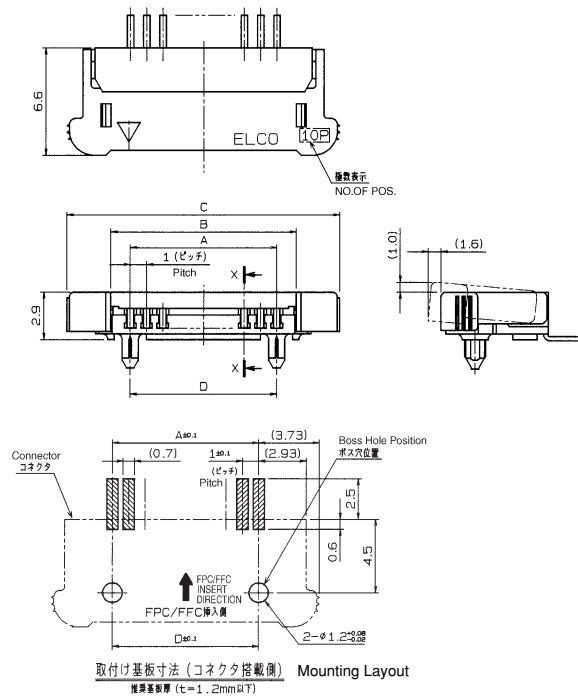
1.0mmPitch RA Through hole SMT Bottom contact Slide lock

DIP
(Through Hole)



SMTボス付

With Bosses



| 極数 | A | B | C | D |
|----|----|------|-------|----|
| 5 | 4 | 6.4 | 11.45 | 4 |
| 6 | 5 | 7.4 | 12.45 | 5 |
| 7 | 6 | 8.4 | 13.45 | 6 |
| 8 | 7 | 9.4 | 14.45 | 7 |
| 9 | 8 | 10.4 | 15.45 | 8 |
| 10 | 9 | 11.4 | 16.45 | 9 |
| 11 | 10 | 12.4 | 17.45 | 10 |
| 12 | 11 | 13.4 | 18.45 | 11 |
| 13 | 12 | 14.4 | 19.45 | 12 |
| 14 | 13 | 15.4 | 20.45 | 13 |
| 15 | 14 | 16.4 | 21.45 | 14 |
| 16 | 15 | 17.4 | 22.45 | 15 |
| 17 | 16 | 18.4 | 23.45 | 16 |
| 18 | 17 | 19.4 | 24.45 | 17 |
| 19 | 18 | 20.4 | 25.45 | 18 |
| 20 | 19 | 21.4 | 26.45 | 19 |
| 21 | 20 | 22.4 | 27.45 | 20 |
| 22 | 21 | 23.4 | 28.45 | 21 |
| 23 | 22 | 24.4 | 29.45 | 22 |
| 24 | 23 | 25.4 | 30.45 | 23 |
| 25 | 24 | 26.4 | 31.45 | 24 |
| 26 | 25 | 27.4 | 32.45 | 25 |
| 27 | 26 | 28.4 | 33.45 | 26 |
| 28 | 27 | 29.4 | 34.45 | 27 |
| 29 | 28 | 30.4 | 35.45 | 28 |
| 30 | 29 | 31.4 | 36.45 | 29 |

生産対応可能極数については、営業部にご確認願います。
Feel free to contact our sales department for available numbers of positions.

注文コード ORDERING CODE

00 6200 XX7 XXX XXX X

00: トレー梱包

TRAY PACKAGE

NUMBER OF POSITIONS

極数

バリエーション

VARIATION CODE

012: DIP Through Hole

022: SMTボス付 WITH BOSS

800+: スズ銅めっき Sn-Cu Plated (RoHS対応品 RoHS Compliant Product)

800: スズ鉛めっき Sn-Pb Plated

883+: 金めっき Au Plated (RoHS対応品 RoHS Compliant Product)

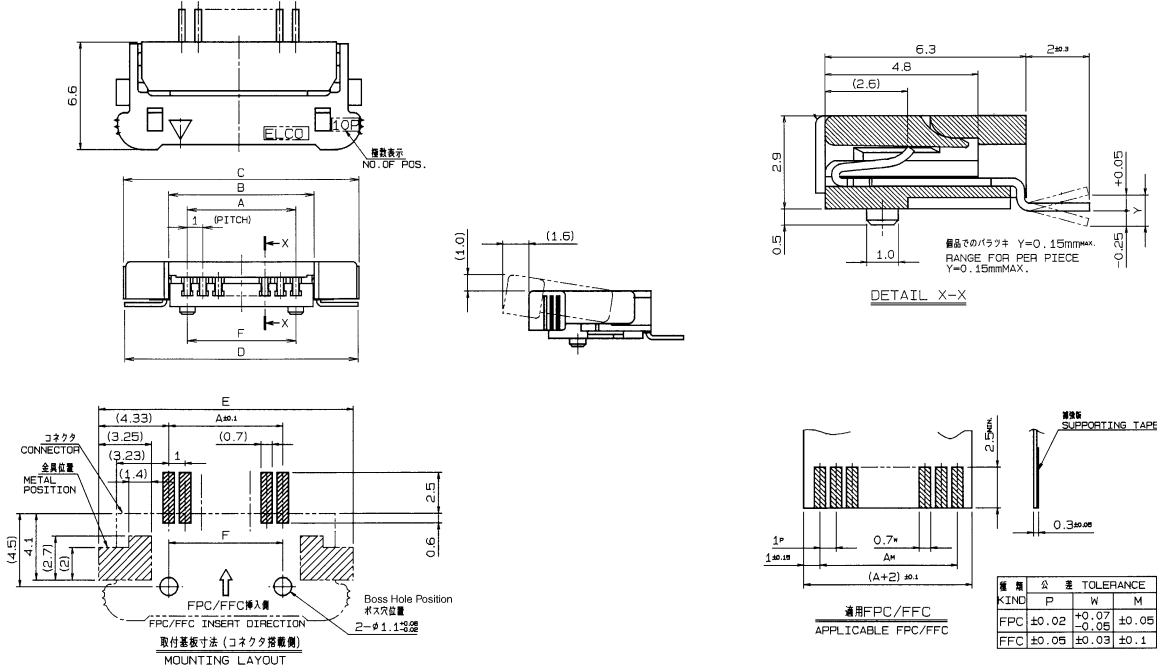
1.0mm Pitch

SERIES

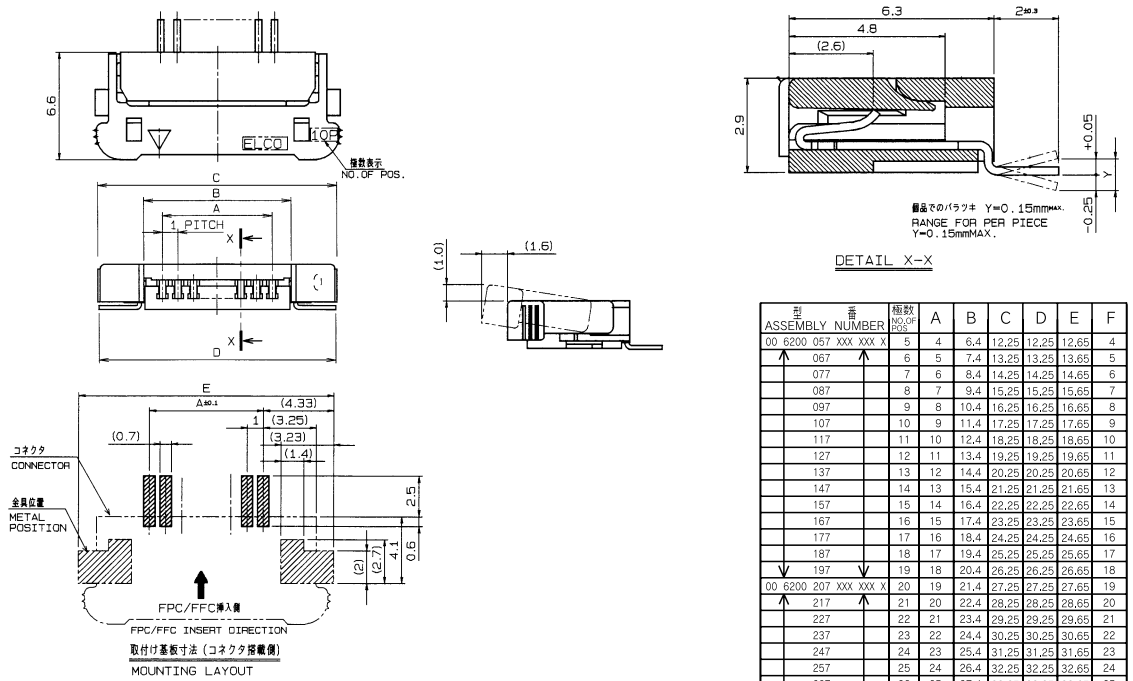
6200

1.0mmピッチ RA SMT 下接点 スライドロック
1.0mmPitch RA SMT Bottom contact Slide lock

金具付ボス付 With Metal tab & Bosses



金具付 With Metal Tab



| 型番 | 種数 | A | B | C | D | E | F |
|-------------------------|-------------|----|------|-------|-------|-------|----|
| ASSEMBLY NUMBER | NO. OF POS. | | | | | | |
| 00 6200 057 XXX XXX X | 5 | 4 | 6.4 | 12.25 | 12.25 | 12.65 | 4 |
| ↑ 067 | 6 | 5 | 7.4 | 13.25 | 13.25 | 13.65 | 5 |
| 077 | 7 | 6 | 8.4 | 14.25 | 14.25 | 14.65 | 6 |
| 087 | 8 | 7 | 9.4 | 15.25 | 15.25 | 15.65 | 7 |
| 097 | 9 | 8 | 10.4 | 16.25 | 16.25 | 16.65 | 8 |
| 107 | 10 | 9 | 11.4 | 17.25 | 17.25 | 17.65 | 9 |
| 117 | 11 | 10 | 12.4 | 18.25 | 18.25 | 18.65 | 10 |
| 127 | 12 | 11 | 13.4 | 19.25 | 19.25 | 19.65 | 11 |
| 137 | 13 | 12 | 14.4 | 20.25 | 20.25 | 20.65 | 12 |
| 147 | 14 | 13 | 15.4 | 21.25 | 21.25 | 21.65 | 13 |
| 157 | 15 | 14 | 16.4 | 22.25 | 22.25 | 22.65 | 14 |
| 167 | 16 | 15 | 17.4 | 23.25 | 23.25 | 23.65 | 15 |
| 177 | 17 | 16 | 18.4 | 24.25 | 24.25 | 24.65 | 16 |
| 187 | 18 | 17 | 19.4 | 25.25 | 25.25 | 25.65 | 17 |
| 197 | 19 | 18 | 20.4 | 26.25 | 26.25 | 26.65 | 18 |
| ↓ 00 6200 207 XXX XXX X | 20 | 19 | 21.4 | 27.25 | 27.25 | 27.65 | 19 |
| ↑ 217 | 21 | 20 | 22.4 | 28.25 | 28.25 | 28.65 | 20 |
| 227 | 22 | 21 | 23.4 | 29.25 | 29.25 | 29.65 | 21 |
| 237 | 23 | 22 | 24.4 | 30.25 | 30.25 | 30.65 | 22 |
| 247 | 24 | 23 | 25.4 | 31.25 | 31.25 | 31.65 | 23 |
| 257 | 25 | 24 | 26.4 | 32.25 | 32.25 | 32.65 | 24 |
| 267 | 26 | 25 | 27.4 | 33.25 | 33.25 | 33.65 | 25 |
| 277 | 27 | 26 | 28.4 | 34.25 | 34.25 | 34.65 | 26 |
| 287 | 28 | 27 | 29.4 | 35.25 | 35.25 | 35.65 | 27 |
| 297 | 29 | 28 | 30.4 | 36.25 | 36.25 | 36.65 | 28 |
| ↓ 00 6200 307 XXX XXX X | 30 | 29 | 31.4 | 37.25 | 37.25 | 37.65 | 29 |

生産対応可能極数については、営業部に確認願います。
Feel free to contact our sales department for available numbers of positions.

注文コード ORDERING CODE
00 6200 XX7 XXX XXX X

00 : トレー梱包
TRAY PACKAGE

種数
NUMBER OF POSITIONS

バリエーション VARIATION CODE
052 : 金具付/ボス付 With Metal Tab and Bosses
032 : 金具付 With Metal Tab

800+ : スズ銅めっき Sn-Cu Plated (RoHS対応品 RoHS Compliant Product)
800 : スズ鉛めっき Sn-Pb Plated
883+ : 金めっき Au Plated (RoHS対応品 RoHS Compliant Product)

エンボス梱包品 : 00 6200 5XX X30 000 X (ボス無し品)

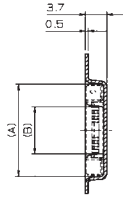
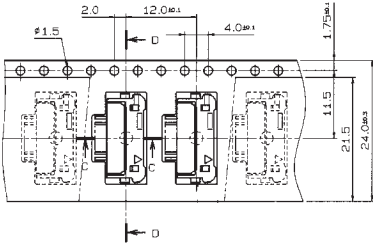
Tape & Reel Package : 00 6200 5XX X30 000 X (Without Boss)

1.0mm Pitch

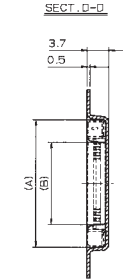
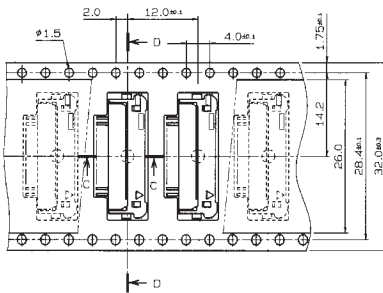
SERIES

6200

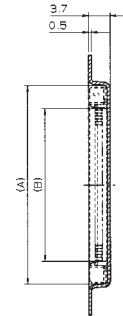
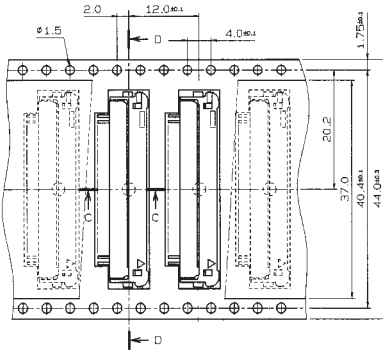
エンボス梱包品
Tape and Reel Package



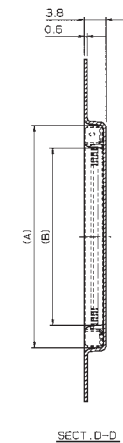
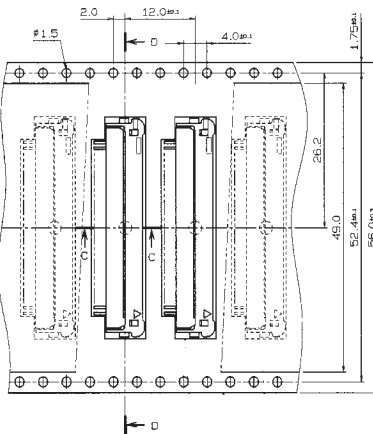
| 型番 ASSEMBLY NO. | 極数 NO. OF POS. | A | B |
|-----------------------|-------------------|------|------|
| 00 6200 505 130 000 X | 5 | 12.7 | 5.0 |
| 506 | 6 | 13.7 | 6.0 |
| 507 | 7 | 14.7 | 7.0 |
| 508 | 8 | 15.7 | 8.0 |
| 509 | 9 | 16.7 | 9.0 |
| 510 | 10 | 17.7 | 10.0 |
| 00 6200 511 130 000 X | 11 | 18.7 | 11.0 |



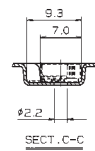
| 型番 ASSEMBLY NO. | 極数 NO. OF POS. | A | B |
|-----------------------|-------------------|------|------|
| 00 6200 512 230 000 X | 12 | 19.7 | 12.0 |
| 513 | 13 | 20.7 | 13.0 |
| 514 | 14 | 21.7 | 14.0 |
| 515 | 15 | 22.7 | 15.0 |
| 00 6200 516 230 000 X | 16 | 23.7 | 16.0 |



| 型番 ASSEMBLY NO. | 極数 NO. OF POS. | A | B |
|-----------------------|-------------------|------|------|
| 00 6200 517 330 000 X | 17 | 24.7 | 17.0 |
| 518 | 18 | 25.7 | 18.0 |
| 519 | 19 | 26.7 | 19.0 |
| 520 | 20 | 27.7 | 20.0 |
| 521 | 21 | 28.7 | 21.0 |
| 522 | 22 | 29.7 | 22.0 |
| 523 | 23 | 30.7 | 23.0 |
| 524 | 24 | 31.7 | 24.0 |
| 525 | 25 | 32.7 | 25.0 |
| 526 | 26 | 33.7 | 26.0 |
| 00 6200 527 330 000 X | 27 | 34.7 | 27.0 |



| 型番 ASSEMBLY NO. | 極数 NO. OF POS. | A | B |
|-----------------------|-------------------|------|------|
| 00 6200 528 430 000 X | 28 | 35.7 | 28.0 |
| 00 6200 529 430 000 X | 29 | 36.7 | 29.0 |
| 00 6200 530 430 000 X | 30 | 37.7 | 30.0 |



生産対応可能極数については、営業部にご確認願います。
Feel free to contact our sales department for available numbers of positions.

注文コード ORDERING CODE

00 6200 5XX X30 000 X

極数
NUMBER
OF
POSITIONS

バリエーション VARIATION CODE
1: エンボス Tape & Reel 24.0mm
2: エンボス Tape & Reel 32.0mm
3: エンボス Tape & Reel 44.0mm
4: エンボス Tape & Reel 56.0mm

000+: RoHS Compliant Product
000: RoHS not Compliance

トレー梱包品: 00 6200 XX7 XXX XXX X
TRAY PACKAGE: 00 6200 XX7 XXX XXX X

梱包数量 1000個/リール
PACKING QUANTITY: 1000/Reel