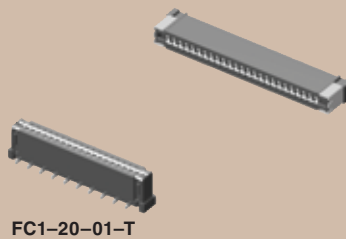


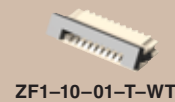
(1,00mm) .03937"

ZF1, FC1 SERIES

FC1-25-02-T-WT



ZF1-25-01-T-WT



ZF1-10-01-T-WT

FLAT FLEXIBLE CABLE (FFC) SOCKET

Mates with:
FJ and flex cable with contact/stiffener thickness of (0,30mm) .012"

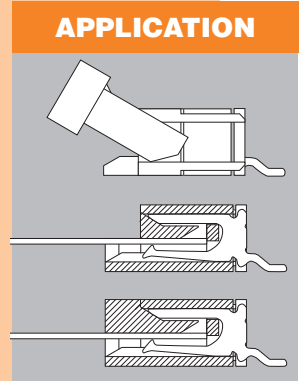
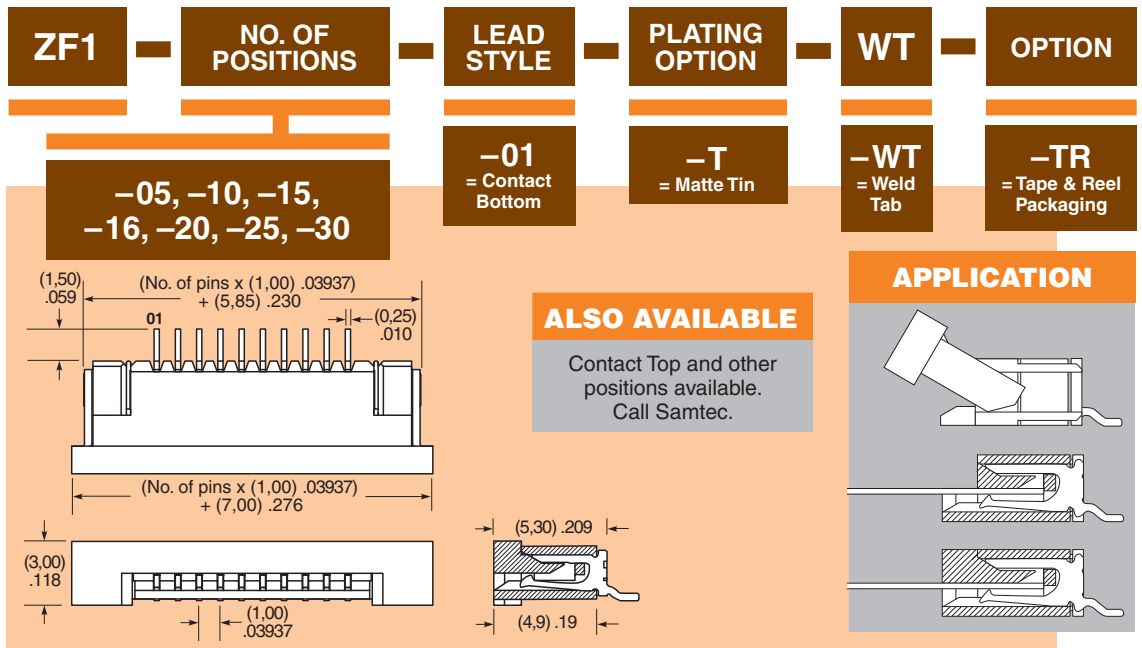
SPECIFICATIONS

For complete specifications and recommended PCB layouts see www.samtec.com?ZF1

Insulator Material: Liquid Crystal Polymer
Contact Material: Phosphor Bronze
Plating: Sn over 40µm (1,02µm) Ni
Weld Tab: Phosphor Bronze
Operating Temp Range: -55°C to +105°C
RoHS Compliant: Yes

Processing:
Lead-Free Solderable: Yes
SMT Lead Coplanarity: (0,10mm) .004" max

Note: Some lengths, styles and options are non-standard, non-returnable.



Mates with:
FJ and flex cable with contact/stiffener thickness of (0,30mm) .012"

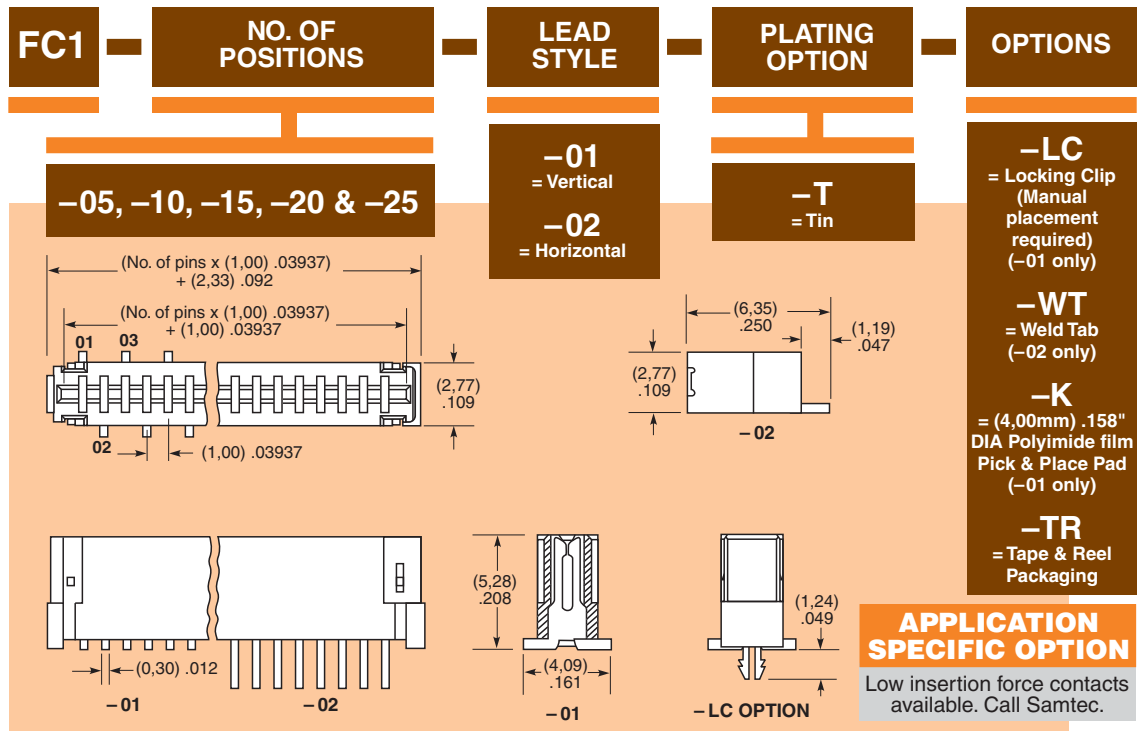
SPECIFICATIONS

For complete specifications and recommended PCB layouts see www.samtec.com?FC1

Insulator Material: Liquid Crystal Polymer
Contact Material: Phosphor Bronze
Plating: Tin over 50µm (1,27µm) Ni
Current Rating: 2A @ 80° ambient
Operating Temp Range: -55°C to +105°C
Max Cycles: 25 with FJ
RoHS Compliant: Yes

Processing:
Lead-Free Solderable: Yes
SMT Lead Coplanarity: (0,10mm) .004" max

Note: Some lengths, styles and options are non-standard, non-returnable.



Due to technical progress, all designs, specifications and components are subject to change without notice.

WWW.SAMTEC.COM