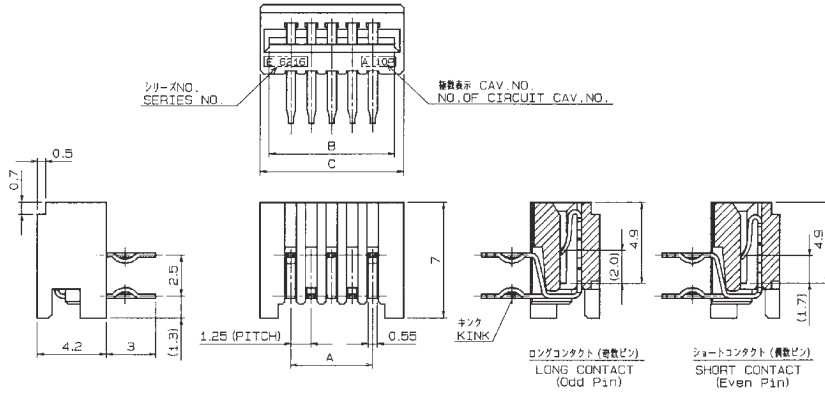


1.25mm Pitch
SERIES

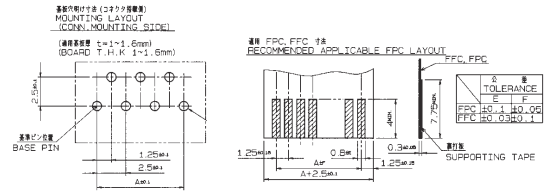
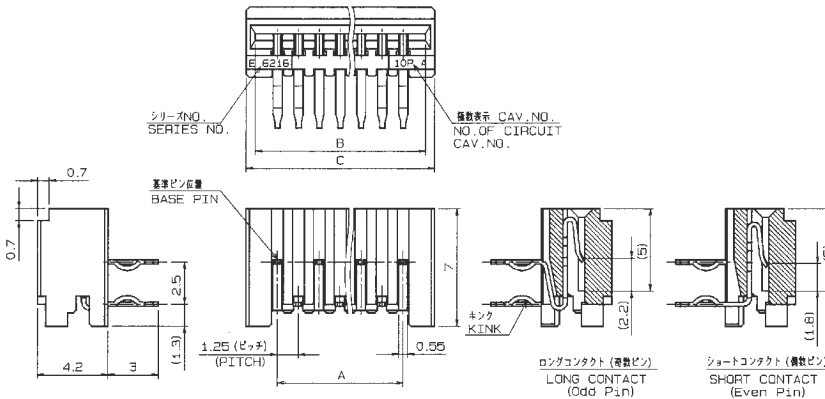
6216

1.25mmピッチ NON-ZIF RA DIP 小極
1.25mmPitch LIF RA Through hole Low-pin count

上接点 Top contact



下接点 Bottom contact



上接点 Top contact

注文コード ORDERING CODE

XX 6216 0XX 11X 808 X+

RoHS 対応品

RoHS Compliant Product

00: トレー梱包
TRAY PACKAGE
28: マガジン梱包
TUBE PACKAGE
極数
NUMBER OF POSITIONS

808A+: スズめっき Sn Plated 白色 White Color
808+: スズめっき Sn Plated 黒色 Black Color

バリエーション VARIATION CODE
0: キンク有 WITH KINKED
1: キンク無 WITHOUT KINKED

下接点 Bottom contact

注文コード ORDERING CODE

XX 6216 0XX 10X 808+

RoHS 対応品

RoHS Compliant Product

00: トレー梱包
TRAY PACKAGE
28: マガジン梱包
TUBE PACKAGE
極数
NUMBER OF POSITIONS

スズめっき Sn Plated

バリエーション VARIATION CODE
0: キンク有 WITH KINKED
1: キンク無 WITHOUT KINKED

| 脚数 NO. OF PGS. | A | B | C | 単位数 UNITS/TUBE |
|-------------------|-------|-------|-------|-------------------|
| 4 | 3.75 | 6.41 | 7.50 | 61 |
| 5 | 5.00 | 7.66 | 8.75 | 53 |
| 6 | 6.25 | 8.91 | 10.00 | 45 |
| 7 | 7.50 | 10.16 | 11.25 | 41 |
| 8 | 8.75 | 11.41 | 12.50 | 37 |
| 9 | 10.00 | 12.66 | 13.75 | 34 |
| 10 | 11.25 | 13.91 | 15.00 | 31 |
| 11 | 12.50 | 15.16 | 16.25 | 29 |
| 12 | 13.75 | 16.41 | 17.50 | 27 |
| 13 | 15.00 | 17.66 | 18.75 | 26 |
| 14 | 16.25 | 18.91 | 20.00 | 23 |
| 15 | 17.50 | 20.16 | 21.25 | 22 |
| 16 | 18.75 | 21.41 | 22.50 | 21 |
| 17 | 20.00 | 22.66 | 23.75 | 20 |
| 18 | 21.25 | 23.91 | 25.00 | 19 |
| 19 | 22.50 | 25.16 | 26.25 | 18 |
| 20 | 23.75 | 26.41 | 27.50 | 17 |
| 21 | 25.00 | 27.66 | 28.75 | 16 |
| 22 | 26.25 | 28.91 | 30.00 | 15 |
| 23 | 27.50 | 30.16 | 31.25 | 15 |
| 24 | 28.75 | 31.41 | 32.50 | 14 |
| 25 | 30.00 | 32.66 | 33.75 | 14 |
| 26 | 31.25 | 33.91 | 35.00 | 13 |
| 27 | 32.50 | 35.16 | 36.25 | 13 |
| 28 | 33.75 | 36.41 | 37.50 | 12 |
| 29 | 35.00 | 37.66 | 38.75 | 12 |
| 30 | 36.25 | 38.91 | 40.00 | 11 |

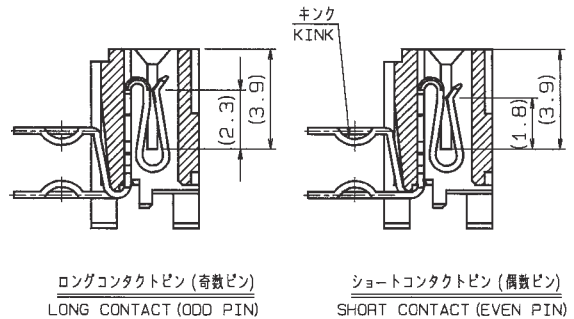
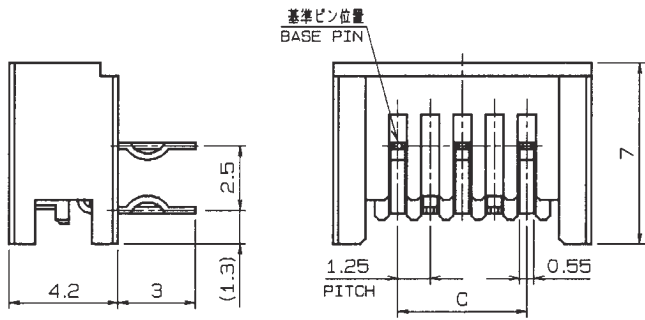
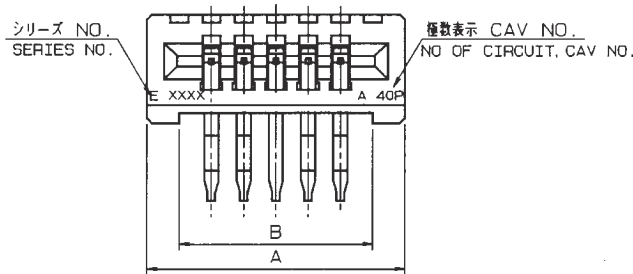
生産対応可能極数については、営業部にご確認願います。
Feel free to contact our sales department for available numbers of positions.

1.25mm Pitch
SERIES

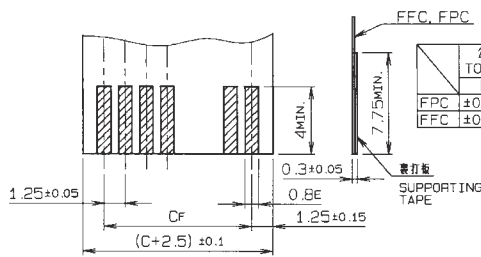
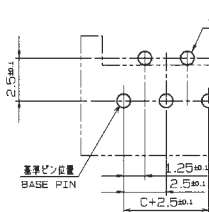
6216

1.25mmピッチ NON-ZIF RA DIP 上接点 大極

1.25mmPitch LIF RA Through hole Top contact High-pin count



基板穴明け寸法 (コネクタ側参照)
MOUNTING LAYOUT
(CONN. MOUNTING SIDE)
(適用基板厚 $t=1\sim 1.5\text{mm}$)
(BOARD T.H.K. $1\sim 1.5\text{mm}$)



適用 FPC, FFC
APPLICABLE FPC FFC

| 公差 TOLERANCE | 公 | |
|-----------------|------------|------------|
| | E | F |
| FPC | ± 0.1 | ± 0.05 |
| FFC | ± 0.03 | ± 0.1 |

| 極数 NO OF POS | A | B | C |
|--------------------|-------|-------|-------|
| 31 | 42.50 | 40.16 | 37.50 |
| 32 | 43.75 | 41.41 | 38.75 |
| 33 | 45.00 | 42.66 | 40.00 |
| 34 | 46.25 | 43.91 | 41.25 |
| 35 | 47.50 | 45.16 | 42.50 |
| 36 | 48.75 | 46.41 | 43.75 |
| 37 | 50.00 | 47.66 | 45.00 |
| 38 | 51.25 | 48.91 | 46.25 |
| 39 | 52.50 | 50.16 | 47.50 |
| 40 | 53.75 | 51.41 | 48.75 |

生産対応可能極数については、営業部にご確認願います。
Feel free to contact our sales department for available numbers of positions.

注文コード ORDERING CODE

00 6216 OXX 12X 808+

00: トレー梱包
TRAY PACKAGE

極数
NUMBER
OF
POSITIONS

RoHS 対応品

RoHS Compliant Product

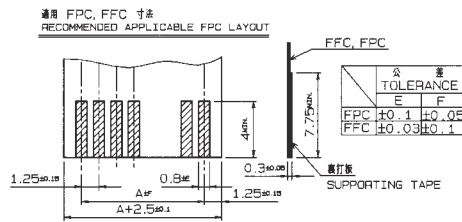
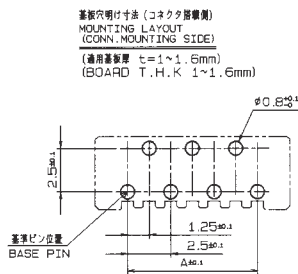
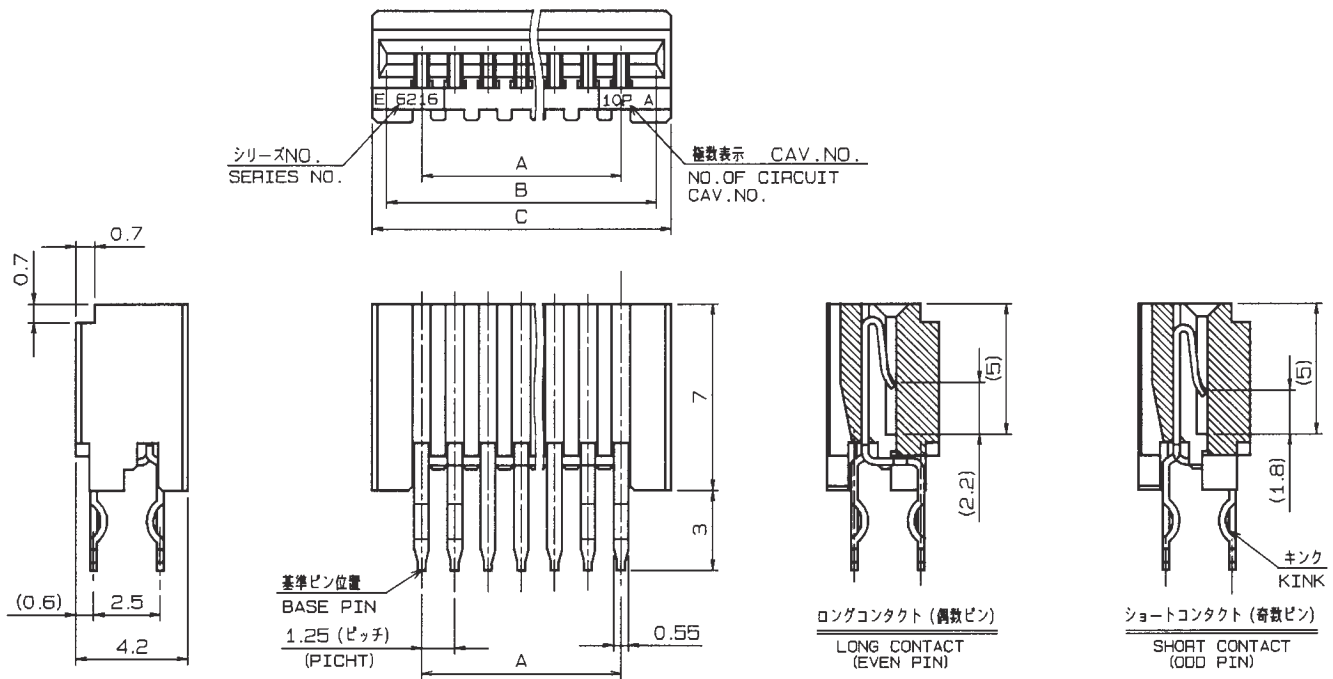
スズめっき Sn Plated

バリエーション VARIATION CODE
0: キック有 WITH KINKED
1: キック無 WITHOUT KINKED

1.25mm Pitch
SERIES

6216

1.25mmピッチ NON-ZIF ストレート DIP 小極
1.25mmPitch LIF Vertical Through hole Low-pin count



| NO. OF POS. | A | B | C |
|-------------|-------|-------|-------|
| 4 | 3.75 | 6.41 | 7.50 |
| 5 | 5.00 | 7.66 | 8.75 |
| 6 | 6.25 | 8.91 | 10.00 |
| 7 | 7.50 | 10.16 | 11.25 |
| 8 | 8.75 | 11.41 | 12.50 |
| 9 | 10.00 | 12.66 | 13.75 |
| 10 | 11.25 | 13.91 | 15.00 |
| 11 | 12.50 | 15.16 | 16.25 |
| 12 | 13.75 | 16.41 | 17.50 |
| 13 | 15.00 | 17.66 | 18.75 |
| 14 | 16.25 | 18.91 | 20.00 |
| 15 | 17.50 | 20.16 | 21.25 |
| 16 | 18.75 | 21.41 | 22.50 |
| 17 | 20.00 | 22.66 | 23.75 |
| 18 | 21.25 | 23.91 | 25.00 |
| 19 | 22.50 | 25.16 | 26.25 |
| 20 | 23.75 | 26.41 | 27.50 |
| 21 | 25.00 | 27.66 | 28.75 |
| 22 | 26.25 | 28.91 | 30.00 |
| 23 | 27.50 | 30.16 | 31.25 |
| 24 | 28.75 | 31.41 | 32.50 |
| 25 | 30.00 | 32.66 | 33.75 |
| 26 | 31.25 | 33.91 | 35.00 |
| 27 | 32.50 | 35.16 | 36.25 |
| 28 | 33.75 | 36.41 | 37.50 |
| 29 | 35.00 | 37.66 | 38.75 |
| 30 | 36.25 | 38.91 | 40.00 |

生産対応可能極数については、営業部にご確認願います。
Feel free to contact our sales department for available numbers of positions.

注文コード ORDERING CODE

00 6216 OXX 00X 808+

極数
NUMBER
OF
POSITIONS

RoHS 対応品

RoHS Compliant Product

スズめっき Sn Plated

バリエーション VARIATION CODE

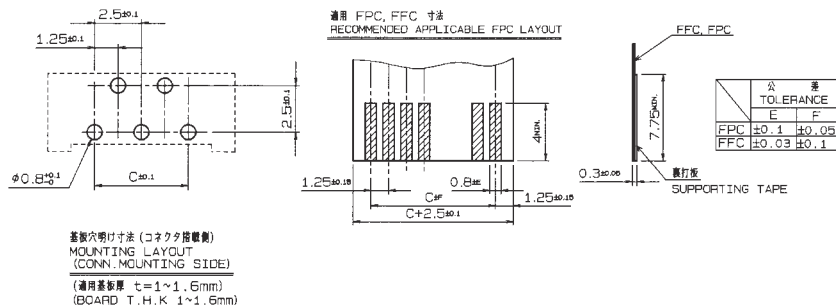
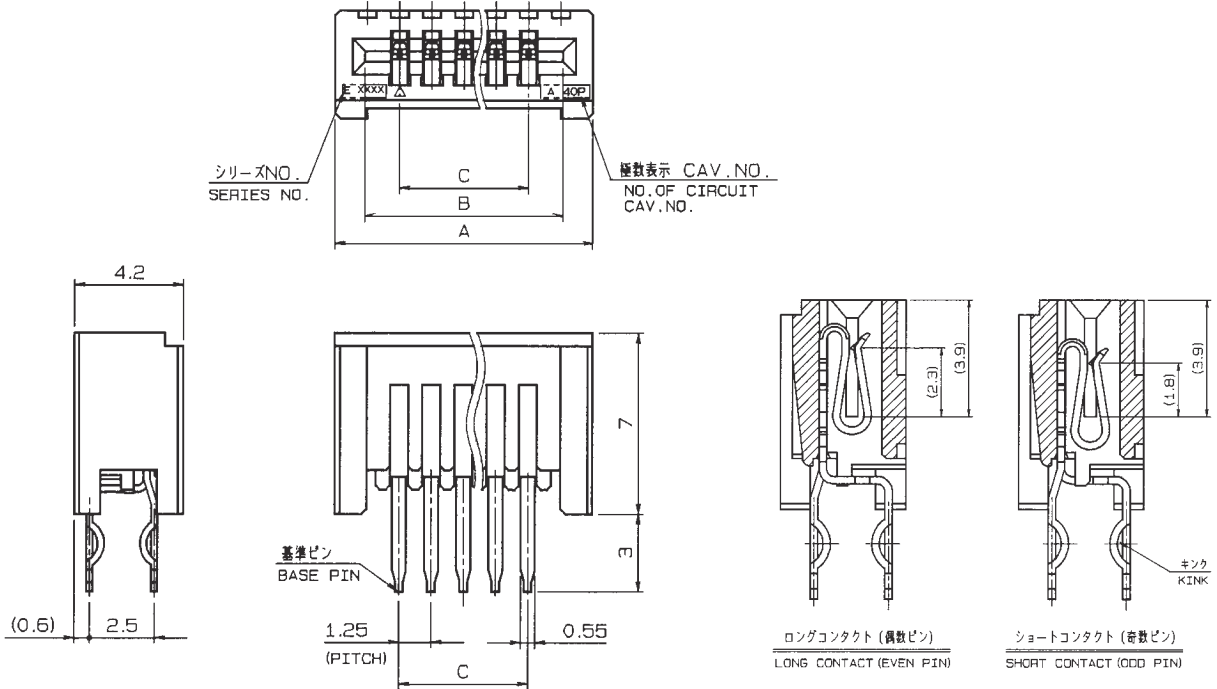
0: キック有 WITH KINKED

1: キック無 WITHOUT KINKED

1.25mm Pitch
SERIES

6216

1.25mmピッチ NON-ZIF ストレート DIP 大極
1.25mmPitch LIF Vertical Through hole High-pin count



| 極数 NO. OF POS. | A | B | C |
|-------------------|-------|-------|-------|
| 31 | 42.50 | 40.16 | 37.50 |
| 32 | 43.75 | 41.41 | 38.75 |
| 33 | 45.00 | 42.66 | 40.00 |
| 34 | 46.25 | 43.91 | 41.25 |
| 35 | 47.50 | 45.16 | 42.50 |
| 36 | 48.75 | 46.41 | 43.75 |
| 37 | 50.00 | 47.66 | 45.00 |
| 38 | 51.25 | 48.91 | 46.25 |
| 39 | 52.50 | 50.16 | 47.50 |
| 40 | 53.75 | 51.41 | 48.75 |

生産対応可能極数については、営業部にご確認願います。
Feel free to contact our sales department for available numbers of positions.

注文コード ORDERING CODE
00 6216 1XX 82X 808+

00: トレー梱包 TRAY PACKAGE
 極数 NUMBER OF POSITIONS
 バリエーション VARIATION CODE
 0: キング有 WITH KINKED
 1: キング無 WITHOUT KINKED

RoHS 対応品
 RoHS Compliant Product
 スズめっき Sn Plated