

CAT. NO. & DIMENSIONS

NO. OF CONTACTS	STRAIGHT TYPE CAT. NO.	RIGHT ANGLE TYPE CAT. NO.	DIMENSIONS(NOTE1)	
			A ±0.3	B ±0.1
4	SLP 4 S - 5 LF	SLP 4 R - 5 LF	11.15	6.45
5	SLP 5 S - 5 LF	SLP 5 R - 5 LF	12.40	7.70
6	SLP 6 S - 5 LF	SLP 6 R - 5 LF	13.65	8.95
7	SLP 7 S - 5 LF	SLP 7 R - 5 LF	14.90	10.20
8	SLP 8 S - 5 LF	SLP 8 R - 5 LF	16.15	11.45
9	SLP 9 S - 5 LF	SLP 9 R - 5 LF	17.40	12.70
10	SLP 10S - 5 LF	SLP 10R - 5 LF	18.65	13.95
11	SLP 11S - 5 LF	SLP 11R - 5 LF	19.90	15.20
12	SLP 12S - 5 LF	SLP 12R - 5 LF	21.15	16.45
13	SLP 13S - 5 LF	SLP 13R - 5 LF	22.40	17.70
14	SLP 14S - 5 LF	SLP 14R - 5 LF	23.65	18.95
15	SLP 15S - 5 LF	SLP 15R - 5 LF	24.90	20.20
16	SLP 16S - 5 LF	SLP 16R - 5 LF	26.15	21.45
17	SLP 17S - 5 LF	SLP 17R - 5 LF	27.40	22.70
18	SLP 18S - 5 LF	SLP 18R - 5 LF	28.65	23.95
19	SLP 19S - 5 LF	SLP 19R - 5 LF	29.90	25.20
20	SLP 20S - 5 LF	SLP 20R - 5 LF	31.15	26.45

A

A

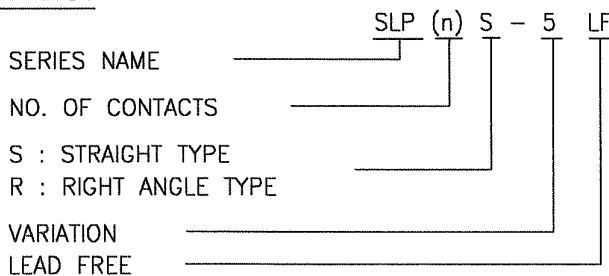
B

B

C

C

CAT. NO.



NOTES

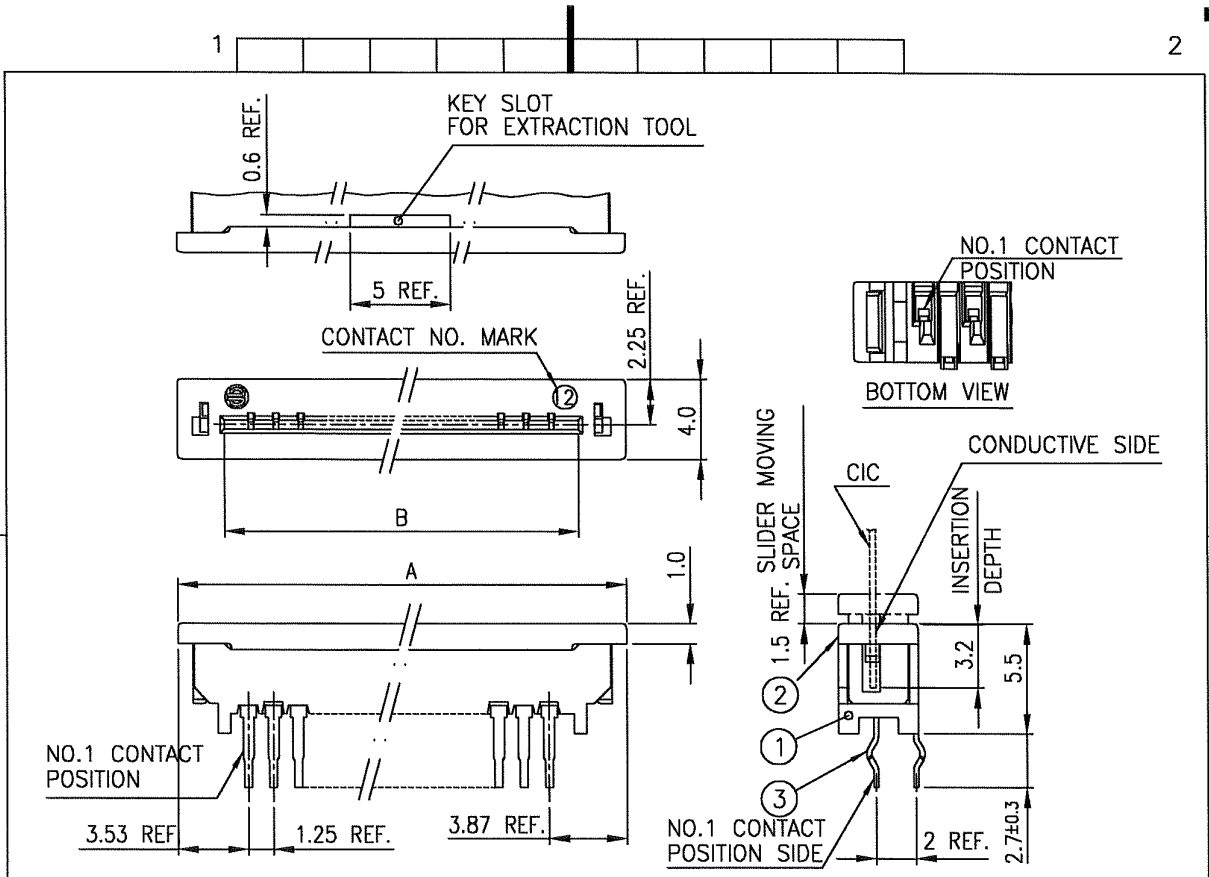
1) SEE PART DRAWINGS FOR DIMENSIONS A & B



FCIconnect.com

Copyright FCI.

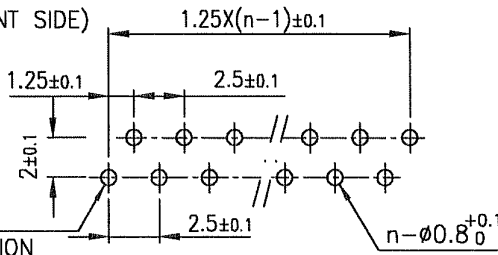
mat'l. code		surface ISO 1302 ✓		tolerance ISO 406 ✓ ISO 1101		projection		product family 58KF		CODE JP	
ltr		ecn no		dr		date		title		CAT.No. TABLE FOR 1.25mm SPACING CONNECTOR (Cat. No. SLP__R/S-5LF)	
A		J05-0713		H.T		10/21/05		mm		scale X	
B		J06-0504		H.T		11/29/06		linear		sheet 1 of 1	
				dr		11/29/06		FCI		size A4	
				engr		11/29/06				type Product Customer Drawing	
				chr		11/29/06				dwg no JSA 96777	
				appd		12/1/06				Rev. B	
sheet index		revision B		sheet 1							



PT. NO.	PARTS NAME	MATERIAL	Q'TY	NOTE
1	HOUSING	PET RESIN GLASS REINFORCED (UL94V-0)	1	COLOR : BLACK
2	SLIDER		1	COLOR : GRAY
3	CONTACT	PHOSPHOR BRONZE	n	PLATING : TIN Ni UNDER PLATED

n : NO. OF CONTACTS

RECOMMENDED PC BOARD
THICKNESS : 0.8~1.6
HOLE PATTERN (COMPONENT SIDE)



BASIC HOLE
NO.1 CONTACT POSITION

THIS PRODUCT MEETS EUROPEAN UNION DIRECTIVES AND OTHER COUNTRY REGULATIONS AS DESCRIBED IN GS-22-008.
THE HOUSING WILL WITHSTAND EXPOSURE TO 260°C PEAK TEMPERATURE FOR 10 SECONDS IN A WAVE SOLDER APPLICATION WITH A 1.6mm THICK CIRCUIT BOARD.

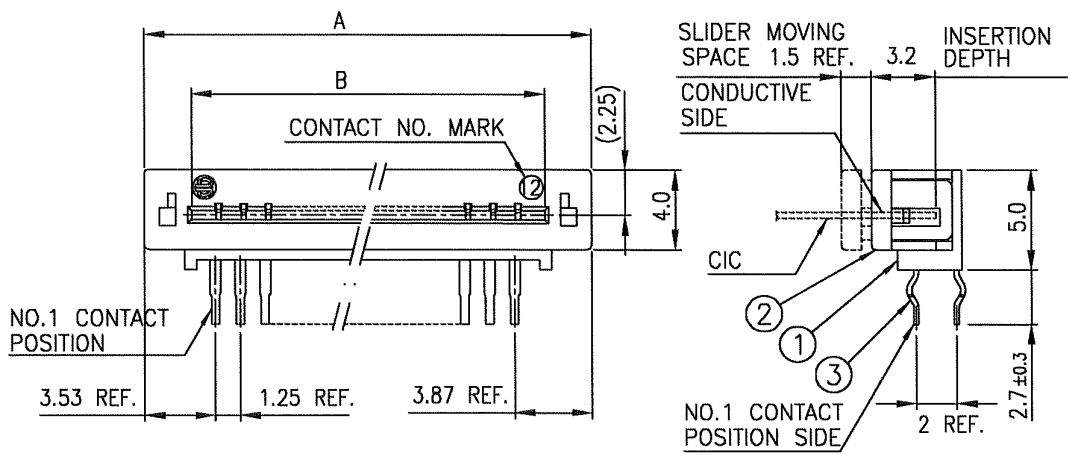
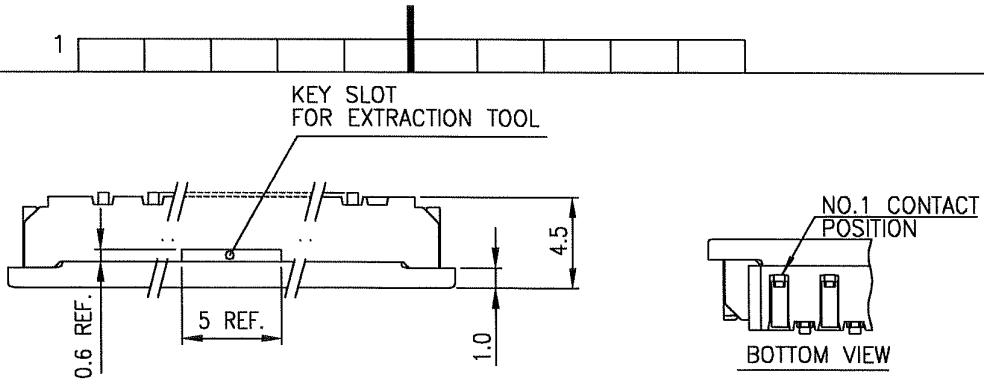
mat'l. code		surface 58 / tolerance ISO 1302 / ISO 406 / ISO 1101		projection		product family 58KF		CODE JP		
ltr	ecn no	dr	date	tolerances unless otherwise specified		title		1.25mm SPACING CONNECTOR FOR CIC (Cat. No. SLP__S-5LF)		
A	J05-0713	H.T	10/21/05	angles	±0.2	mm		dwg no sheet 1 of 1 size		
B	J06-0504	H.T	11/29/06	linear		scale X		JSA 96778 A4		
				dr	<i>H. Shoyu</i> 11/29/06			type Product Customer Drawing		
				enr	<i>H. Shoyu</i> 11/29/06					
				chr	<i>K. Shoyu</i> 11/29/06					
				appd	<i>S. Madama</i> 12/11/06					
sheet index	revision sheet	B	1							Rev. B

SC-SLP06 form: A4 JSA96777



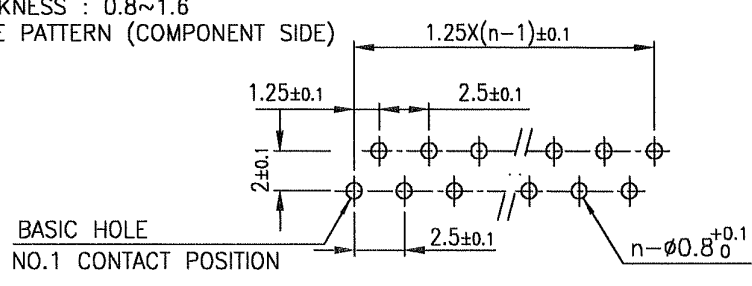
FCIconnect.com

Copyright FCI.



PT. NO.	PARTS NAME	MATERIAL	Q'TY	NOTE
1	HOUSING	PET RESIN GLASS REINFORCED (UL94V-0)	1	COLOR : BLACK
2	SLIDER		1	COLOR : GRAY
3	CONTACT	PHOSPHOR BRONZE	n	PLATING : TIN Ni UNDER PLATED

RECOMMENDED PC BOARD THICKNESS : 0.8~1.6 HOLE PATTERN (COMPONENT SIDE)



THIS PRODUCT MEETS EUROPEAN UNION DIRECTIVES AND OTHER COUNTRY REGULATIONS AS DESCRIBED IN GS-22-008. THE HOUSING WILL WITHSTAND EXPOSURE TO 260°C PEAK TEMPERATURE FOR 10 SECONDS IN A WAVE SOLDER APPLICATION WITH A 1.6mm THICK CIRCUIT BOARD.

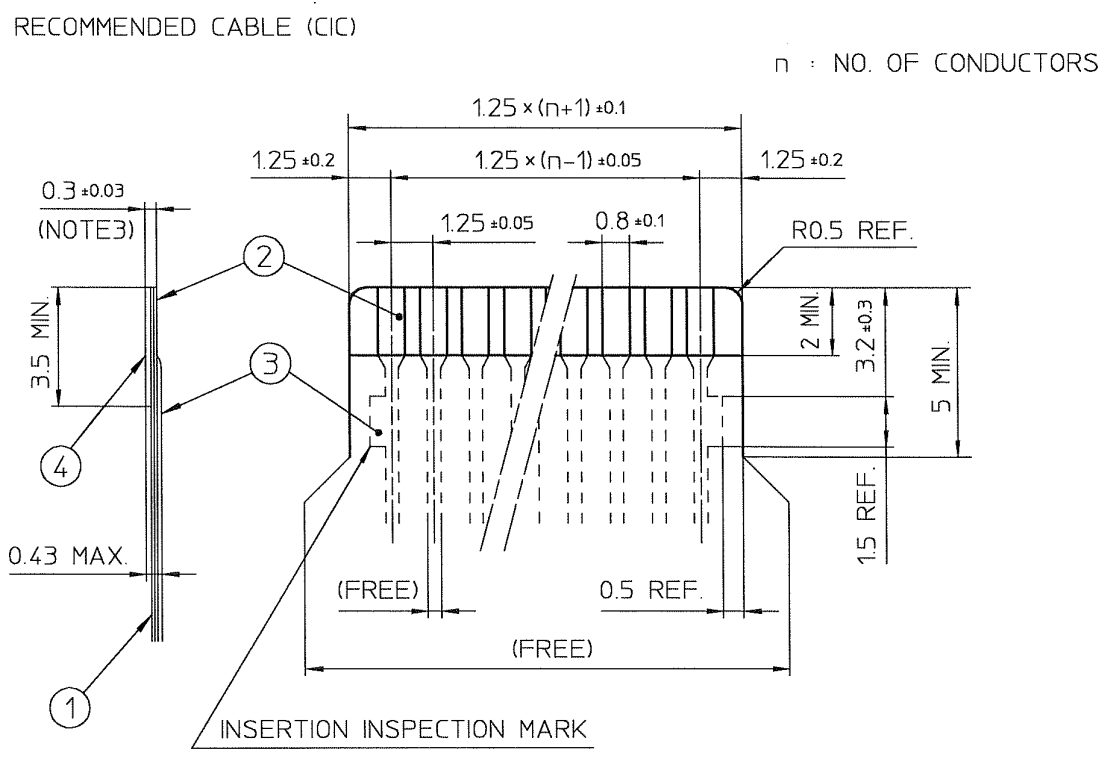
mat'l. code		surface ISO 1302		tolerance ISO 406 ISO 1101		projection		product family 58KF		CODE JP	
ltr		ecn no		dr		date		title		1.25mm SPACING CONNECTOR FOR CIC (Cat. No. SLP__R-5LF)	
A		J05-0713		H.T		10/21/05		mm		dwg no	
B		J06-0504		H.T		11/29/06		scale X		sheet 1 of 1	
				angles		linear		mm		size	
								FCJ		A4	
				dr		11/29/06		type		Product Customer Drawing	
				enr		11/29/06					
				chr		11/29/06					
				appd		12/11/06					
sheet index		revision sheet		B		1				Rev. B	

SC-SLP06 form: A4 JSA96777



FCIconnect.com

Copyright FCI.



BILL OF MATERIAL

PT. NO.	PARTS NAME	MATERIAL	THICKNESS (μm)
1	BASE FILM	POLYESTER OR EQUAL	75
2	CONDUCTOR	CARBON PASTE OVER SILVER PASTE	10 MIN.
3	OVERLAY	POLYESTER OR EQUAL	—
4	SUPPORTING TAPE	POLYESTER OR EQUAL	188

NOTES

1. NO BURR AT EACH PORTION.
2. NO PEELING IN COMMON USE.
3. THIS DIMENSION PRESCRIBES TOTAL THICKNESS OF PT. NO. 1, 2 & 4 INCLUDING ADHESIVES.

mat'l. code				surface ISO 1302 ✓		tolerance ISO 406 ISO 1101		projection		product family 58KF			
ltr	ecn no	dr	date	tolerances unless otherwise specified				title					
1		H.T	6/2/98					RECOMMENDED CABLE (CIC)					
A	J06-0504	H.T	11/29/06	angles	linear			(Cat. No. SLP__R/S-5__)					
				dr	<i>H. S. S. S. S.</i>		<i>11/29/06</i>		dwg no		sheet 1 of 1	size	
				enr	<i>H. S. S. S. S.</i>		<i>11/29/06</i>		JSA 28896		A4		
				chr	<i>K. S. S. S. S.</i>		<i>11/29/06</i>		type		Product Customer Drawing		
				appd	<i>S. S. S. S. S.</i>		<i>12/1/06</i>						
sheet index	revision sheet	A	1									Rev	A



FCIconnect.com

Copyright FCI