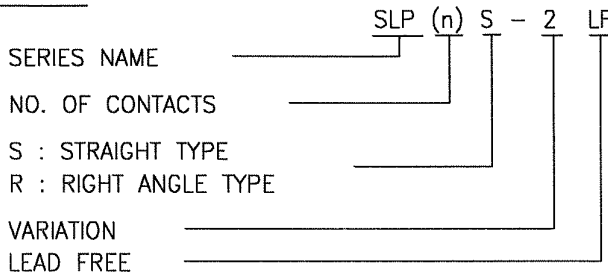


CAT. NO. & DIMENSIONS

NO. OF CONTACTS	STRAIGHT TYPE CAT. NO.	RIGHT ANGLE TYPE CAT. NO.	DIMENSIONS(NOTE1)	
			A ±0.3	B ±0.1
4	SLP 4 S - 2 LF	SLP 4 R - 2 LF	11.15	6.45
5	SLP 5 S - 2 LF	SLP 5 R - 2 LF	12.40	7.70
6	SLP 6 S - 2 LF	SLP 6 R - 2 LF	13.65	8.95
7	SLP 7 S - 2 LF	SLP 7 R - 2 LF	14.90	10.20
8	SLP 8 S - 2 LF	SLP 8 R - 2 LF	16.15	11.45
9	SLP 9 S - 2 LF	SLP 9 R - 2 LF	17.40	12.70
10	SLP 10S - 2 LF	SLP 10R - 2 LF	18.65	13.95
11	SLP 11S - 2 LF	SLP 11R - 2 LF	19.90	15.20
12	SLP 12S - 2 LF	SLP 12R - 2 LF	21.15	16.45
13	SLP 13S - 2 LF	SLP 13R - 2 LF	22.40	17.70
14	SLP 14S - 2 LF	SLP 14R - 2 LF	23.65	18.95
15	SLP 15S - 2 LF	SLP 15R - 2 LF	24.90	20.20
16	SLP 16S - 2 LF	SLP 16R - 2 LF	26.15	21.45
17	SLP 17S - 2 LF	SLP 17R - 2 LF	27.40	22.70
18	SLP 18S - 2 LF	SLP 18R - 2 LF	28.65	23.95
19	SLP 19S - 2 LF	SLP 19R - 2 LF	29.90	25.20
20	SLP 20S - 2 LF	SLP 20R - 2 LF	31.15	26.45

CAT. NO.



NOTES

1) SEE PART DRAWINGS FOR DIMENSIONS A & B

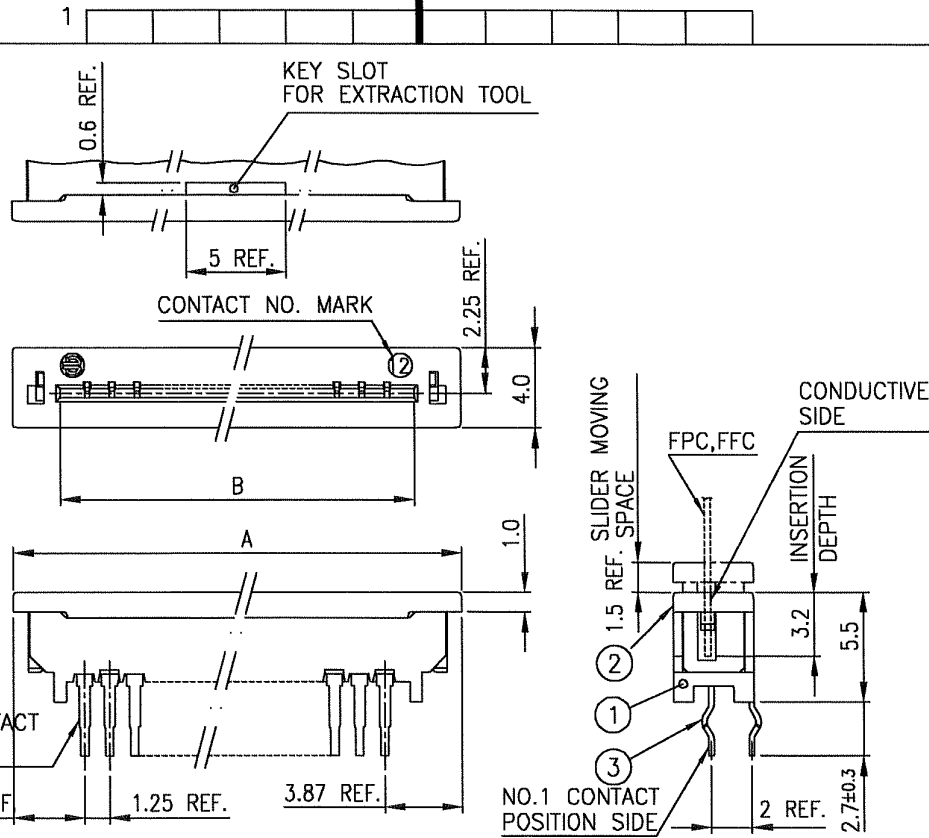
mat'l. code				surface ISO 1302 ✓		tolerance ISO 406 ISO 1101		projection		product family 58KF		CODE JP	
ltr		ecn no		dr		date		tolerances unless otherwise specified		title			
A		J05-0713		H.T		10/21/05		angles		CAT.No. TABLE FOR			
B		J06-0504		H.T		11/29/06		linear		1.25mm SPACING CONNECTOR			
										(Cat. No. SLP__R/S-2LF)			
				dr		11/29/06				dwg no		sheet 1 of 1	
				enr		11/29/06				JSA 96774		size A4	
				chr		11/29/06				type		Product Customer Drawing	
				appd		12/11/06							
sheet index		revision B		sheet		1						Rev. B	

SC-SLP05, JSA96775, 96776, 28248, 28249 form: A4



FCIconnect.com

Copyright FCI.

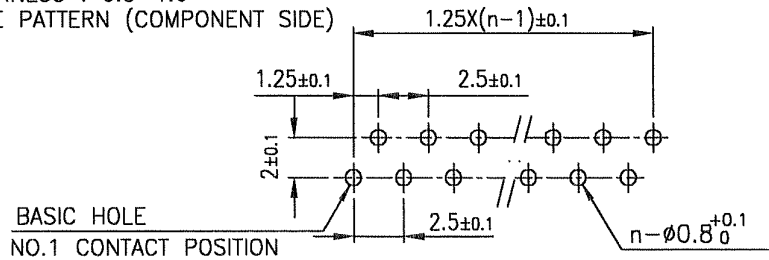


PT. NO.	PARTS NAME	MATERIAL	Q'TY	NOTE
1	HOUSING	PET RESIN GLASS REINFORCED	1	COLOR : BLACK
2	SLIDER	(UL94V-0)	1	COLOR : GRAY
3	CONTACT	PHOSPHOR BRONZE	n	PLATING : TIN Ni UNDER PLATED

n : NO. OF CONTACTS

**RECOMMENDED PC BOARD**

THICKNESS : 0.8~1.6  
HOLE PATTERN (COMPONENT SIDE)



BASIC HOLE  
NO.1 CONTACT POSITION

THIS PRODUCT MEETS EUROPEAN UNION DIRECTIVES AND OTHER COUNTRY REGULATIONS AS DESCRIBED IN GS-22-008.  
THE HOUSING WILL WITHSTAND EXPOSURE TO 260°C PEAK TEMPERATURE FOR 10 SECONDS IN A WAVE SOLDER APPLICATION WITH A 1.6mm THICK CIRCUIT BOARD.

mat'l. code		surface	tolerance	projection	product family	CODE
		ISO 1302	ISO 406		58KF	JP
		tolerances unless otherwise specified	ISO 1101			
ltr	ecn no	dr	date	title		
A	J05-0713	H.T	10/21/05	1.25mm SPACING CONNECTOR		
B	J06-0504	H.T	11/29/06	(Cat. No. SLP__S-2LF)		
				scale	dwg no	
				mm	sheet 1 of 1	
					JSA 96775	
				type Product Customer Drawing		
				size A4		

sheet index	revision sheet	B	1	Rev. B
-------------	----------------	---	---	--------

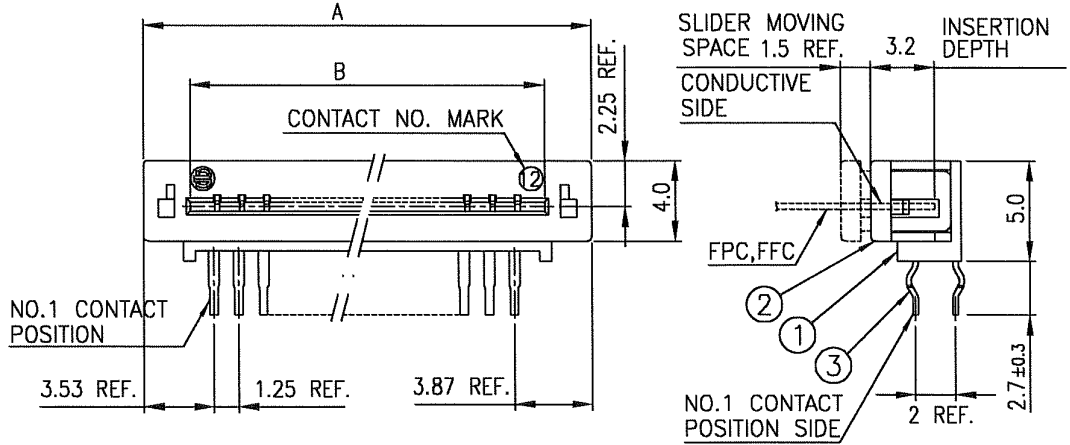
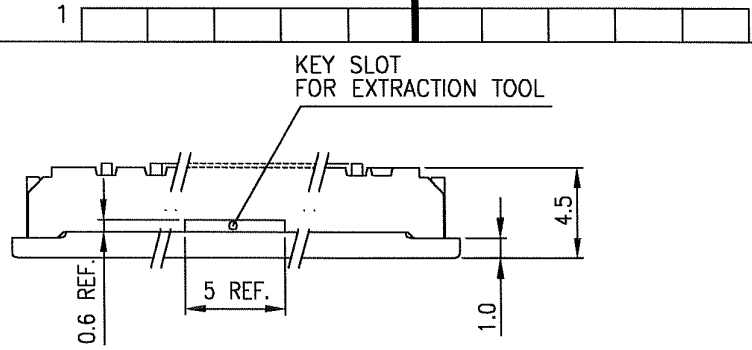
SC-SLP05 form: A4 JSA96774



FCIconnect.com

Copyright FCI.

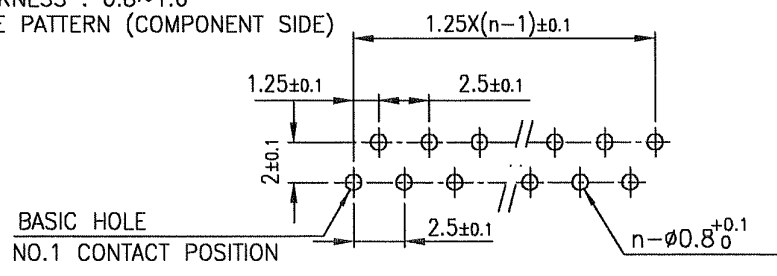




PT. NO.	PARTS NAME	MATERIAL	Q'TY	NOTE
1	HOUSING	PET RESIN GLASS REINFORCED (UL94V-0)	1	COLOR : BLACK
2	SLIDER		1	COLOR : GRAY
3	CONTACT	PHOSPHOR BRONZE	n	PLATING : TIN Ni UNDER PLATED

n : NO. OF CONTACTS

RECOMMENDED PC BOARD  
THICKNESS : 0.8~1.6  
HOLE PATTERN (COMPONENT SIDE)



THIS PRODUCT MEETS EUROPEAN UNION DIRECTIVES AND OTHER COUNTRY REGULATIONS AS DESCRIBED IN GS-22-008.  
THE HOUSING WILL WITHSTAND EXPOSURE TO 260°C PEAK TEMPERATURE FOR 10 SECONDS IN A WAVE SOLDER APPLICATION WITH A 1.6mm THICK CIRCUIT BOARD.

mat'l. code		surface ISO 1302 ✓		tolerance ISO 406 ISO 1101		projection		product family 58KF		CODE JP		
ltr	ecn no	dr	date	tolerances unless otherwise specified		mm		title				
A	J05-0713	H.T	10/21/05	angles	linear	mm		1.25mm SPACING CONNECTOR (Cat. No. SLP__R-2LF)				
B	J06-0504	H.T	11/29/06			scale X		dwg no sheet 1 of 1 size				
				dr			FCI		JSA 96776			
				enr					type Product Customer Drawing			
				chr								
				appd								
sheet index	revision B	sheet 1										Rev. B

SC-SLP05 form: A4 JSA96774

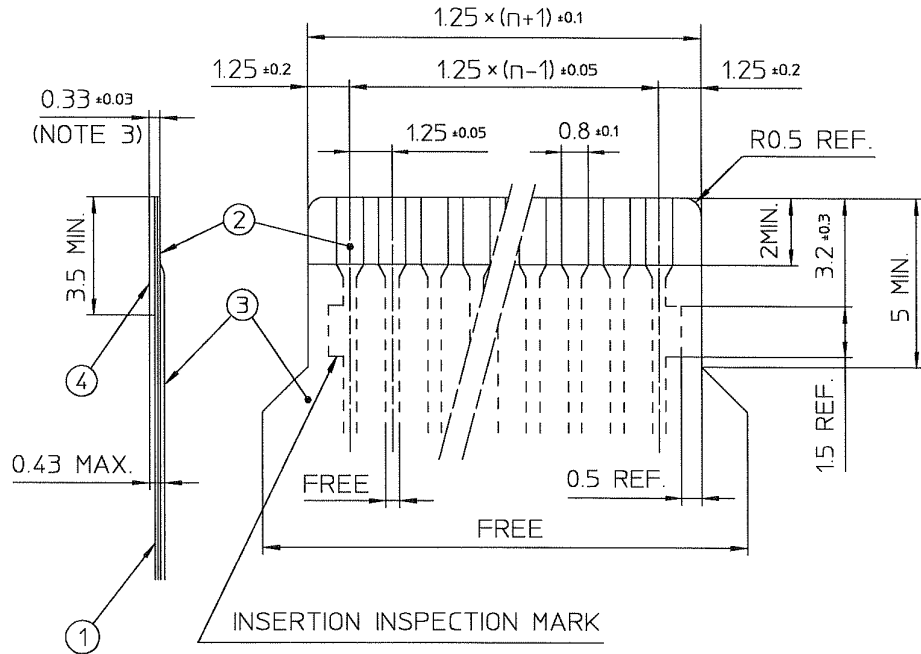


FCIconnect.com

Copyright FCI.

RECOMMENDED CABLE (FPC)

n : NO. OF CONDUCTOR



PT. NO.	PARTS NAME	MATERIAL	THICKNESS (μm)
1	BASE FILM	POLYIMIDE OR EQUAL	25
2	CONDUCTOR	COPPER FOIL (PLATING : SOLDER 1μm MIN. 12μm MAX.)	35
3	OVERLAY	POLYIMIDE OR EQUAL	—
4	SUPPORTING TAPE	POLYESTER OR POLYIMIDE OR EQUAL	188

NOTES.

1. NO BURR AT EACH PORTION.
2. NO PEELING IN COMMON USE.
3. TOTAL THICKNESS LIMIT OF EACH MATERIAL (INCLUDING ADHESIVE AGENT) IS SPECIFIED.

mat'l. code				surface ISO 1302 ✓		tolerance ISO 406 ISO 1101		projection ⊕		product family 58KF		
ltr	ecn no	dr	date	tolerances unless otherwise specified				title RECOMMENDED CABLE (Cat. No. SLP__R/S-2_)				
3		H.T	11/29/99	angles	linear			scale				
A	J06-0504	H.T	11/29/06					FCJ		dwg no JSA 28248		
			dr	11/29/06				sheet 1 of 1		size A4		
			enr	11/29/06				Product		Customer Drawing		
			chr	11/29/06				type				
			appd	12/1/06								
sheet index	revision sheet	A	1									Rev A

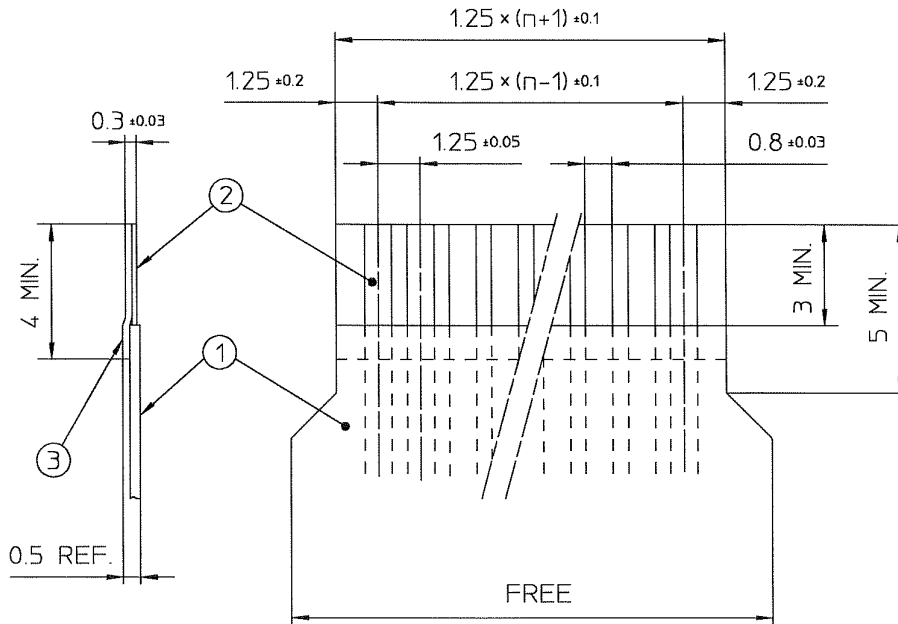


FCJconnect.com

Copyright FCJ

RECOMMENDED CABLE (FFC)

n : NO. OF CONDUCTOR



PT. NO.	PARTS NAME	MATERIAL	NOTE
1	INSULATOR	FLAME RESISTING POLYESTER OR EQUAL	_____
2	CONDUCTOR	COPPER FOIL : 50 μm	PLATING : SOLDER 1 μm MIN.
3	SUPPORTING TAPE	FLAME RESISTING POLYESTER OR EQUAL	_____

NOTES.

1. NO BURR AT EACH PORTION.
2. NO PEELING IN COMMON USE.

mat'l. code				surface ISO 1302 ✓		tolerance ISO 406 ISO 1101		projection		product family 58KF		
ltr	ecn no	dr	date	tolerances unless otherwise specified				title RECOMMENDED CABLE (Cat. No. SLP_R/S-2_)		sheet 1 of 1 JSA 28249 A4		
3		H.T	11/29/99	angles	linear	scale X						
A	J06-0504	H.T	11/29/06	dr	<i>H. Takahashi</i>	<i>11/29/06</i>			type Product Customer Drawing			
				enr	<i>H. Takahashi</i>	<i>11/29/06</i>						
				chr	<i>K. Shouji</i>	<i>11/29/06</i>						
				appd	<i>S. Dudaans</i>	<i>12/11/06</i>						
sheet index	revision sheet	A	1									Rev A



FCIconnect.com

Copyright FCI