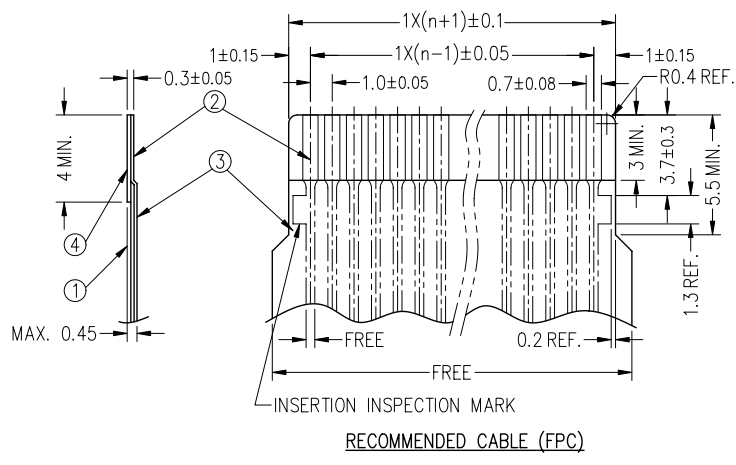


(NOTE C)	DIMENSION A	TOLERANCE B
1	0.7	0.1
2	0.6	0.07

RECOMMENDED CABLE (FFC)

PART NO.	DESCRIPTION	MATERIAL	NOTE
1	INSULATOR	FLAME RESISTING POLYESTER OR EQUIVALENT	-----
2	CONDUCTOR	COPPER FOIL	PLATING: TIN OR SOLDER 1um MIN.
3	SUPPORTING TAPE	FLAME RESISTING POLYESTER OR EQUIVALENT	-----

- NOTES:
- A.) NO BURR AT EACH PORION.
 - B.) NO PEELING IN COMMON USE.
 - C.) BOTH COMBINATION IS ALLOWED.

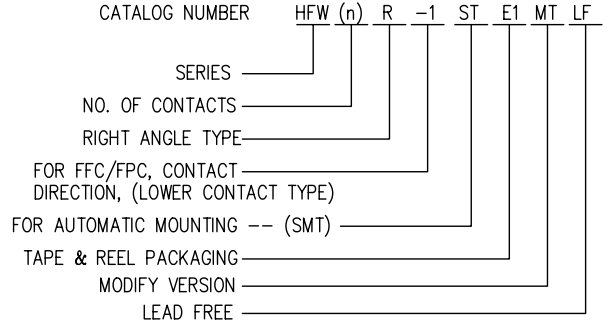


RECOMMENDED CABLE (FPC)

PART NO.	DESCRIPTION	MATERIAL	THICKNESS (um)
1	BASE FILM	POLYIMIDE OR POLYESTER OR EQUIVALENT	25
2	CONDUCTOR	COPPER FOIL (PLATING: SOLDER 1um MIN.)	35
3	OVERLAY	POLYIMIDE OR POLYESTER OR EQUIVALENT	-----
4	SUPPORTING TAPE	POLYIMIDE OR POLYESTER OR EQUIVALENT	188

mat'l. code		tolerances unless otherwise specified		projection	product family
ltr	ecn no	dr	date		FFC/FPC
c					title
				mm	1mm SPACING SMT
				scale 4:1	FPC/FFC CONNECTOR
					dwg no
					sheet 2 of 6
					size
					A4
					type
					Product Customer Drawing
sheet index	revision sheet				

PART NO.	PARTS NAME	MATERIAL	Q'TY	NOTE
1	HOUSING	HIGH TEMPERATURE THERMOPLASTIC REINFORCED (UL94V-0)	1	COLOR: BLACK
2	CONTACT	PHOSPHOR BRONZE	n	PLATING (LEAD FREE)
3	SMT CLIP	BRASS	2	



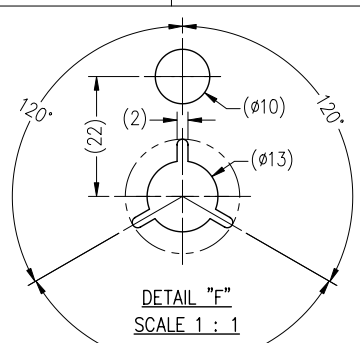
NOTES

1. THIS PRODUCT IS THE CONNECTOR DESIGNED TO TERMINATE FPC/FFC AND COPES WITH AUTOMATIC MOUNTING (SMT).
2. MISALIGNMENT OF SOLDER TAIL AND SMT CLIP FROM DATUM E : UPPER DIRECTION 0.10 MAX. , LOWER DIRECTION 0.15 MAX.
3. THIS PRODUCT IS LOWER CONTACT TYPE CONNECTOR.
4. THIS PRODUCT IS MEETS EUROPEAN UNION DIRECTIVES AND OTHER COUNTRY REGULATIONS AS DESCRIBED IN GS-22-008.
5. THE HOUSING WILL WITHSTAND EXPOSURE TO 260°C PEAK TEMPERATURE FOR 10 SECONDS IN A REFLOW SOLDERING OVEN.
6. THIS PRODUCT IS LOWER CONTACT TYPE CONNECTOR.
7. THIS CATALOG NO. INDICATES PLASTIC TAPE PACKAGED CONNECTOR.

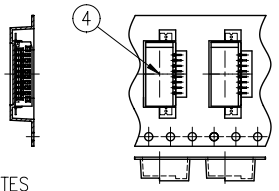
30	HFW30R-1STE1MTLF	29	31.14	33.8
29	HFW29R-1STE1MTLF	28	30.14	32.8
28	HFW28R-1STE1MTLF	27	29.14	31.8
27	HFW27R-1STE1MTLF	26	28.14	30.8
26	HFW26R-1STE1MTLF	25	27.14	29.8
25	HFW25R-1STE1MTLF	24	26.14	28.8
24	HFW24R-1STE1MTLF	23	25.14	27.8
23	HFW23R-1STE1MTLF	22	24.13	26.8
22	HFW22R-1STE1MTLF	21	23.14	25.8
21	HFW21R-1STE1MTLF	20	22.14	24.8
20	HFW20R-1STE1MTLF	19	21.14	23.8
19	HFW19R-1STE1MTLF	18	20.14	22.8
18	HFW18R-1STE1MTLF	17	19.14	21.8
17	HFW17R-1STE1MTLF	16	18.14	20.8
16	HFW16R-1STE1MTLF	15	17.14	19.8
15	HFW15R-1STE1MTLF	14	16.14	18.8
14	HFW14R-1STE1MTLF	13	15.14	17.8
13	HFW13R-1STE1MTLF	12	14.14	16.8
12	HFW12R-1STE1MTLF	11	13.14	15.8
11	HFW11R-1STE1MTLF	10	12.14	14.8
10	HFW10R-1STE1MTLF	9	11.14	13.8
9	HFW9R-1STE1MTLF	8	10.14	12.8
8	HFW8R-1STE1MTLF	7	9.14	11.8
7	HFW7R-1STE1MTLF	6	8.14	10.8
6	HFW6R-1STE1MTLF	5	7.14	9.8
5	HFW5R-1STE1MTLF	4	6.14	8.8
4	HFW4R-1STE1MTLF	3	5.14	7.8

mat'l. code				tolerances unless otherwise specified			projection	product family
ltr	ecn no	dr	date	angles	linear	mm	FFC/FPC	
c				x±z'	.XX±.20	scale 4:1	title	
				dr	SLLIM 060907		1mm SPACING SMT	
				enrg	SLLIM 060907		FPC/FFC CONNECTOR	
				chr	SLLIM 060907		dwg no	
				appd	JOEY NG 060908		sheet 3 of 6	
							size	
							A4	
sheet index	revision sheet						type	
							Product Customer Drawing	

P/N:	PARTS NAME	CATALOG NO.	MATERIAL	QUANTITY	NOTE
①	REEL	-----	POLYSTYRENE (PS) <RECYCLE MATERIAL CONTAINED>	01	COLOR: BLACK
②	PLASTIC (EMBOSSED) CARRIER TAPE	-----	POLYSTYRENE (0.4mm Thick)	-----	COLOR: (CLEAR) TRANSPARENCY
③	COVER (TOP TAPE)	-----	POLYESTER	-----	COLOR: (CLEAR) TRANSPARENCY
④	CONNECTOR	HFW__R-1STE1MTLF	SEE ATTACHED DRAWING	1,000PCS/REEL	LOWER CONTACT TYPE

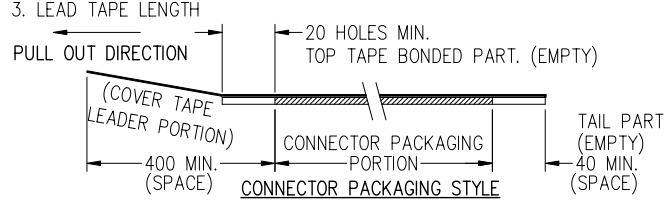


UNLESS OTHERWISE SPECIFIED: ±5, ANGLE ±5° TOLERANCES



NOTES

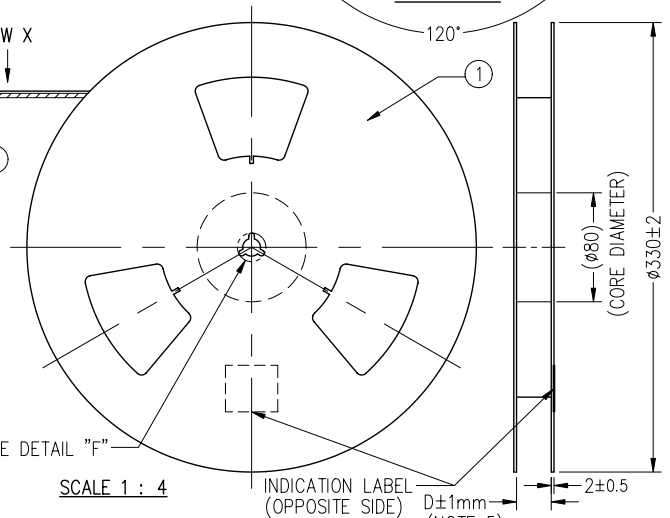
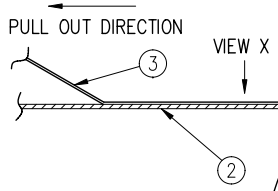
- THIS IS PLASTIC TAPE PACKAGED CONNECTOR DESIGNED TO TERMINATE FPC/FFC AND COPEs WITH AUTOMATIC MOUNTING (SMT).
- SEE JIS C 0806 (PACKING OF ELECTRONICS COMPONENTS ON CONTINUOUS TAPES, SURFACE MOUNT DEVICES) FOR SHAPE AND DIMENSIONS OF PLASTIC (EMBOSSED) TAPE AND REEL.
- LEAD TAPE LENGTH



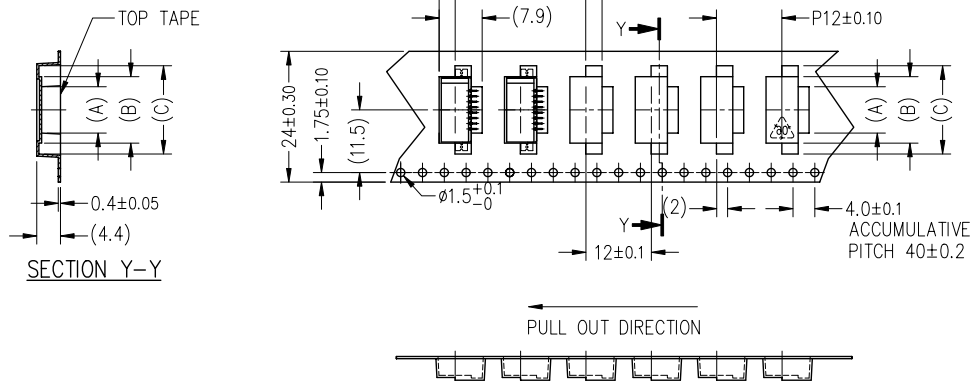
- PEELING OFF FORCE OF TOP TAPE TAPE: 0.1N~0.7N(10.2gf~71.4gf) (PEELING DIRECTION AS SHOWN IN FOLLOWING FIG.) THIS REQUIREMENT SHOULD BE APPLIED AT SHIPMENT. PEEL OFF SHOULD NOT BE ALLOWED, DURING TRANSPORTATION.



- D±1mm DIMENSION IS PORTION OF THE CORE.



mat'l. code		tolerances unless otherwise specified		projection		product family	
ltr	ecn no	dr	date	angles	linear	mm	FFC/FFC
c				---	.XX±.20	mm	title
				dr	SLLIM 060907	scale 4:1	1mm SPACING SMT
				enrg	SLLIM 060907		FPC/FFC CONNECTOR
				chr	SLLIM 060907		dwg no
				appd	JOEY NG 060908		10073872
							sheet 4 of 6
							size
							A4
							type
							Product Customer Drawing
sheet index	revision sheet						

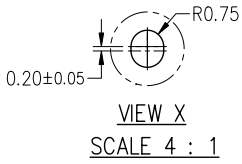


24mm WIDTH CARRIER TAPE

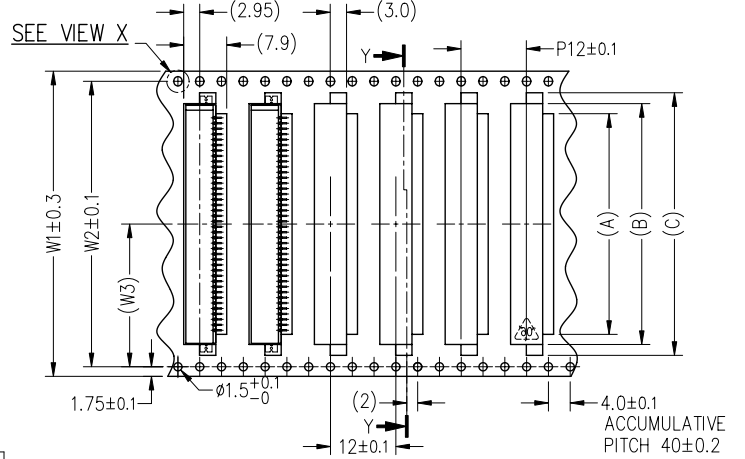
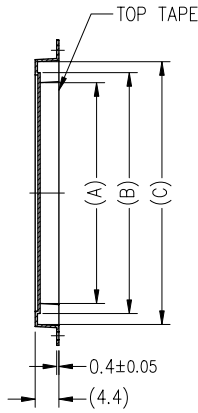
10	HFW10R-1STE1MTLF	10.5	14.2	18.2	25.5	24
9	HFW9R-1STE1MTLF	9.5	13.2	17.2		
8	HFW8R-1STE1MTLF	8.5	12.2	16.2		
7	HFW7R-1STE1MTLF	7.5	11.2	15.5		
6	HFW6R-1STE1MTLF	6.5	10.2	14.2		
5	HFW5R-1STE1MTLF	5.5	9.2	13.2		
4	HFW4R-1STE1MTLF	4.5	8.2	12.2		
CIRCUIT	CATALOG NO.	(A)	(B)	(C)	D±1mm REEL CORE	CARRIER TAPE WIDTH

mat'l. code		tolerances unless otherwise specified		projection	product family
ltr	ecn no	dr	date	 mm scale 4:1	FFC/FPC
c					title
		angles	linear	.XX±.20	1mm SPACING SMT FPC/FFC CONNECTOR
		x±z'	dr	SLLIM 060907	dwg no
		enrg	chr	SLLIM 060907	sheet 5 of 6
		appd	JOEY NG	060908	size
					A4
sheet index	revision sheet				type
					Product Customer Drawing

PDM: Rev:C STATUS:Released Printed: Jan 29, 2009



SECTION Y-Y



PULL OUT DIRECTION



32mm, 44mm, & 56mm WIDTH CARRIER TAPE

30	HFW30R-1STE1MTLF	30.5	34.2	38.2	57.5	56	52.4	26.2
29	HFW29R-1STE1MTLF	29.5	33.2	37.2				
28	HFW28R-1STE1MTLF	28.5	32.2	36.2				
27	HFW27R-1STE1MTLF	27.5	31.2	35.2				
26	HFW26R-1STE1MTLF	26.5	30.2	34.2	45.5	44	40.4	20.2
25	HFW25R-1STE1MTLF	25.5	29.2	33.2				
24	HFW24R-1STE1MTLF	24.5	28.2	32.2				
23	HFW23R-1STE1MTLF	23.5	27.2	31.2				
22	HFW22R-1STE1MTLF	22.2	26.2	30.2				
21	HFW21R-1STE1MTLF	21.5	25.2	29.2				
20	HFW20R-1STE1MTLF	20.5	24.2	28.2	33.5	32	28.4	14.2
19	HFW19R-1STE1MTLF	19.5	23.2	27.2				
18	HFW18R-1STE1MTLF	18.5	22.2	26.2				
17	HFW17R-1STE1MTLF	17.5	21.2	25.2				
16	HFW16R-1STE1MTLF	16.5	20.2	24.2				
15	HFW15R-1STE1MTLF	15.5	19.2	23.2				
14	HFW14R-1STE1MTLF	14.5	18.2	22.2	D±1mm REEL CORE	W1	W2	(W3)
13	HFW13R-1STE1MTLF	13.5	17.2	21.2				
12	HFW12R-1STE1MTLF	12.5	16.2	20.2				
11	HFW11R-1STE1MTLF	11.5	15.2	19.2				
CIRCUIT	CATALOG NO.	(A)	(B)	(C)	CARRIER TAPE			

mat'l. code				tolerances unless otherwise specified			projection	product family
ltr	ecn no	dr	date	angles	linear	mm	FFC/FPC	
c				x±z'	linear	scale 4:1	title	
				dr	SLLIM	060907	1mm SPACING SMT	
				enrg	SLLIM	060907	FPC/FFC CONNECTOR	
				chr	SLLIM	060907	dwg no	
				appd	JOEY NG	060908	10073872	
sheet index	revision sheet						sheet 6 of 6	
							size	
							A4	
							type	
							Product Customer Drawing	

PDM: Rev:C

STATUS: Released

Printed: Jan 29, 2009

form: A4

1

2

3

4

5

6