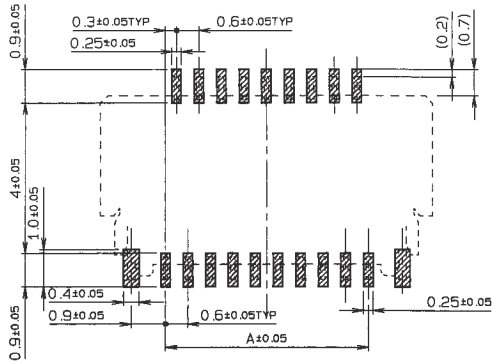
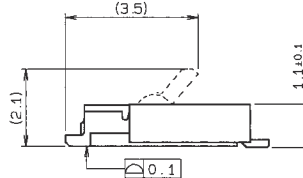
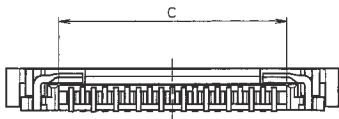
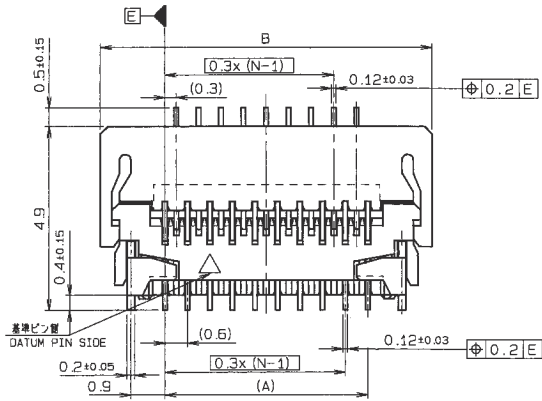


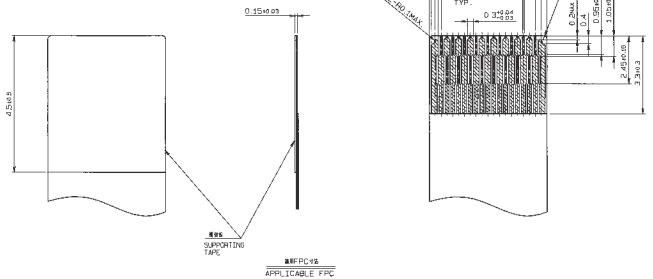
0.3mm Pitch
SERIES

6285

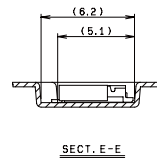
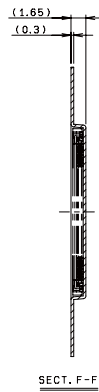
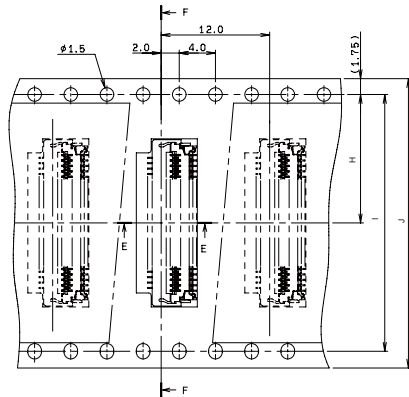
0.3mmピッチ RA SMT 下接点 ワンタッチロック
0.3mmPitch RA SMT Bottom contact One-touch lock



推奨基板パターン
(MOUNTING LAYOUT)



| 極数 NO. OF POS. | A | B | C |
|----------------------|------|------|------|
| 17 | 4.8 | 8.2 | 5.5 |
| 19 | 5.4 | 8.8 | 6.1 |
| 21 | 6.0 | 9.4 | 6.7 |
| 23 | 6.6 | 10.0 | 7.3 |
| 25 | 7.2 | 10.6 | 7.9 |
| 27 | 7.8 | 11.2 | 8.5 |
| 29 | 8.4 | 11.8 | 9.1 |
| 31 | 9.0 | 12.4 | 9.7 |
| 33 | 9.6 | 13.0 | 10.3 |
| 35 | 10.2 | 13.6 | 10.9 |
| 37 | 10.8 | 14.2 | 11.5 |
| 39 | 11.4 | 14.8 | 12.1 |
| 41 | 12.0 | 15.4 | 12.7 |
| 43 | 12.6 | 16.0 | 13.3 |
| 45 | 13.2 | 16.6 | 13.9 |
| 47 | 13.8 | 17.2 | 14.5 |
| 49 | 14.4 | 17.8 | 15.1 |
| 51 | 15.0 | 18.4 | 15.7 |
| 53 | 15.6 | 19.0 | 16.3 |
| 55 | 16.2 | 19.6 | 16.9 |
| 57 | 16.8 | 20.2 | 17.5 |
| 59 | 17.4 | 20.8 | 18.1 |
| 61 | 18.0 | 21.4 | 18.7 |



| 極数 NO. OF POS. | H | I | J |
|----------------------|------|------|----|
| 17 | 11.5 | — | 24 |
| 19 | 11.5 | — | 24 |
| 21 | 11.5 | — | 24 |
| 23 | 11.5 | — | 24 |
| 25 | 11.5 | — | 24 |
| 27 | 11.5 | — | 24 |
| 29 | 11.5 | — | 24 |
| 31 | 11.5 | — | 24 |
| 33 | 11.5 | — | 24 |
| 35 | 14.2 | 28.4 | 32 |
| 37 | 14.2 | 28.4 | 32 |
| 39 | 14.2 | 28.4 | 32 |
| 41 | 14.2 | 28.4 | 32 |
| 43 | 14.2 | 28.4 | 32 |
| 45 | 14.2 | 28.4 | 32 |
| 47 | 14.2 | 28.4 | 32 |
| 49 | 14.2 | 28.4 | 32 |
| 51 | 14.2 | 28.4 | 32 |
| 53 | 14.2 | 28.4 | 32 |
| 55 | 14.2 | 28.4 | 32 |
| 57 | 14.2 | 28.4 | 32 |
| 59 | 14.2 | 28.4 | 32 |
| 61 | 14.2 | 28.4 | 32 |

生産対応可能極数
については、営業
部にご確認願いま
す。
Feel free to
contact our
sales depart-
ment for avail-
able numbers
of positions.

注文コード ORDERING CODE
04 6285 0XX 000 XXX+

RoHS 対応品
RoHS Compliant Product

800 : スズ銅めっき Sn-Cu Plated
883 : 金めっき Au Plated

極数 NUMBER OF POSITIONS

梱包数量 2000個/リール
PACKING QUANTITY : 2000/Reel