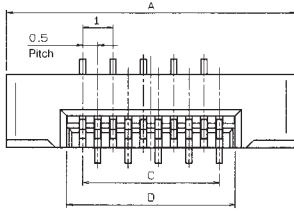


0.5mm Pitch

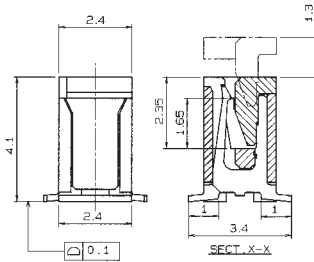
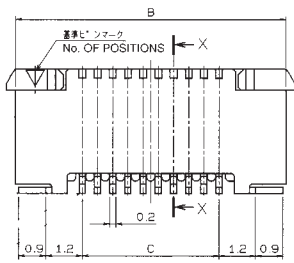
SERIES

6214

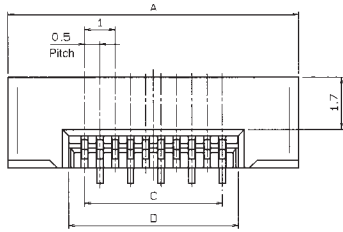
0.5mmピッチ ストレート SMT 片面接点 スライドロック
0.5mmPitch Vertical SMT Single-sided contact Slide lock



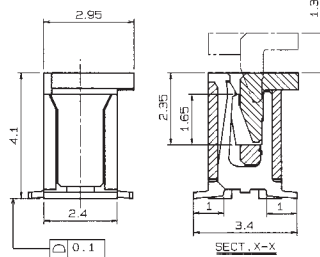
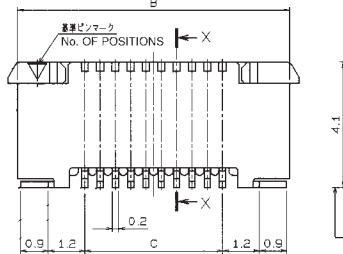
標準タイプ Standard Slider



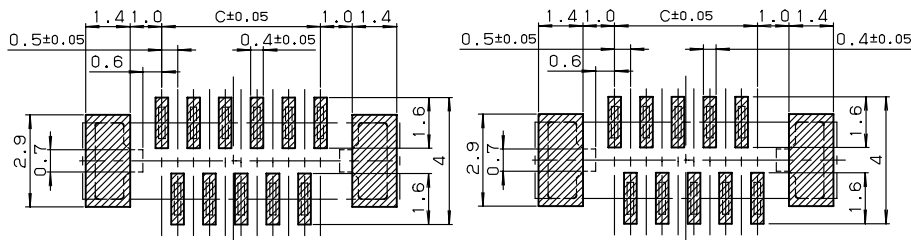
| 極数 NO. OF POS. | A | B | C | D |
|----------------------|------|------|------|------|
| 6 | 7.5 | 6.9 | 2.5 | 3.6 |
| 7 | 8.0 | 7.4 | 3.0 | 4.1 |
| 8 | 8.5 | 7.9 | 3.5 | 4.6 |
| 9 | 9.0 | 8.4 | 4.0 | 5.1 |
| 10 | 9.5 | 8.9 | 4.5 | 5.6 |
| 11 | 10.0 | 9.4 | 5.0 | 6.1 |
| 12 | 10.5 | 9.9 | 5.5 | 6.6 |
| 13 | 11.0 | 10.4 | 6.0 | 7.1 |
| 14 | 11.5 | 10.9 | 6.5 | 7.6 |
| 15 | 12.0 | 11.4 | 7.0 | 8.1 |
| 16 | 12.5 | 11.9 | 7.5 | 8.6 |
| 17 | 13.0 | 12.4 | 8.0 | 9.1 |
| 18 | 13.5 | 12.9 | 8.5 | 9.6 |
| 19 | 14.0 | 13.4 | 9.0 | 10.1 |
| 20 | 14.5 | 13.9 | 9.5 | 10.6 |
| 21 | 15.0 | 14.4 | 10.0 | 11.1 |
| 22 | 15.5 | 14.9 | 10.5 | 11.6 |
| 23 | 16.0 | 15.4 | 11.0 | 12.1 |
| 24 | 16.5 | 15.9 | 11.5 | 12.6 |
| 25 | 17.0 | 16.4 | 12.0 | 13.1 |
| 26 | 17.5 | 16.9 | 12.5 | 13.6 |
| 27 | 18.0 | 17.4 | 13.0 | 14.1 |
| 28 | 18.5 | 17.9 | 13.5 | 14.6 |
| 29 | 19.0 | 18.4 | 14.0 | 15.1 |
| 30 | 19.5 | 18.9 | 14.5 | 15.6 |



スライダー拡張タイプ Extended Slider



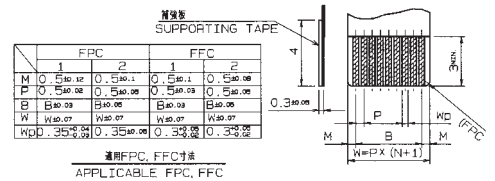
| 極数 NO. OF POS. | A | B | C | D |
|----------------------|------|------|------|------|
| 6 | 7.5 | 6.9 | 2.5 | 3.6 |
| 7 | 8.0 | 7.4 | 3.0 | 4.1 |
| 8 | 8.5 | 7.9 | 3.5 | 4.6 |
| 9 | 9.0 | 8.4 | 4.0 | 5.1 |
| 10 | 9.5 | 8.9 | 4.5 | 5.6 |
| 11 | 10.0 | 9.4 | 5.0 | 6.1 |
| 12 | 10.5 | 9.9 | 5.5 | 6.6 |
| 13 | 11.0 | 10.4 | 6.0 | 7.1 |
| 14 | 11.5 | 10.9 | 6.5 | 7.6 |
| 15 | 12.0 | 11.4 | 7.0 | 8.1 |
| 16 | 12.5 | 11.9 | 7.5 | 8.6 |
| 17 | 13.0 | 12.4 | 8.0 | 9.1 |
| 18 | 13.5 | 12.9 | 8.5 | 9.6 |
| 19 | 14.0 | 13.4 | 9.0 | 10.1 |
| 20 | 14.5 | 13.9 | 9.5 | 10.6 |
| 21 | 15.0 | 14.4 | 10.0 | 11.1 |
| 22 | 15.5 | 14.9 | 10.5 | 11.6 |
| 23 | 16.0 | 15.4 | 11.0 | 12.1 |
| 24 | 16.5 | 15.9 | 11.5 | 12.6 |
| 25 | 17.0 | 16.4 | 12.0 | 13.1 |
| 26 | 17.5 | 16.9 | 12.5 | 13.6 |
| 27 | 18.0 | 17.4 | 13.0 | 14.1 |
| 28 | 18.5 | 17.9 | 13.5 | 14.6 |
| 29 | 19.0 | 18.4 | 14.0 | 15.1 |
| 30 | 19.5 | 18.9 | 14.5 | 15.6 |



基板取付寸法 (奇数ピン)
MOUNTING LAYOUT (ODD PIN)

基板取付寸法 (偶数ピン)
MOUNTING LAYOUT (EVEN PIN)

生産対応可能極数については、営業部にご確認
願います。
Feel free to contact our sales depart-
ment for available numbers of positions.



適用FPC, FFC寸法
APPLICABLE FPC, FFC

注文コード ORDERING CODE

04 6214 OXX XXX XXX X

- 800+ : スズ銅めっき Sn-Cu Plated (RoHS対応品 RoHS Compliant Product)
- 800 : スズ鉛めっき Sn-Pb Plated
- 846+ : 金めっき Au Plated (RoHS対応品 RoHS Compliant Product)

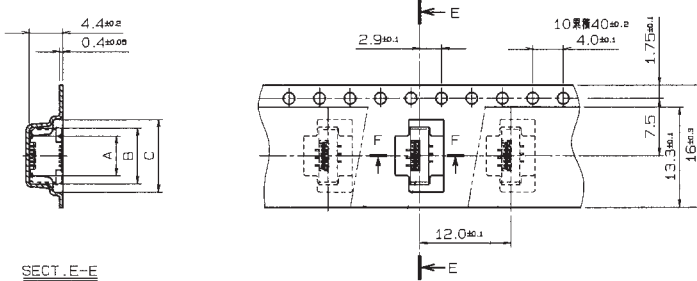
- 000 : 標準タイプ Standard Slider
- 010 : スライダー拡張タイプ Extended Slider

極数 NUMBER OF POSITIONS

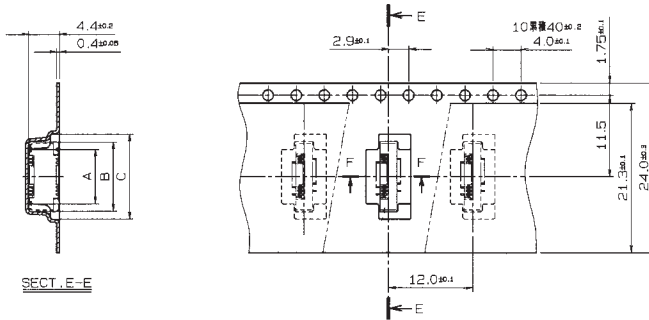
0.5mm Pitch

SERIES

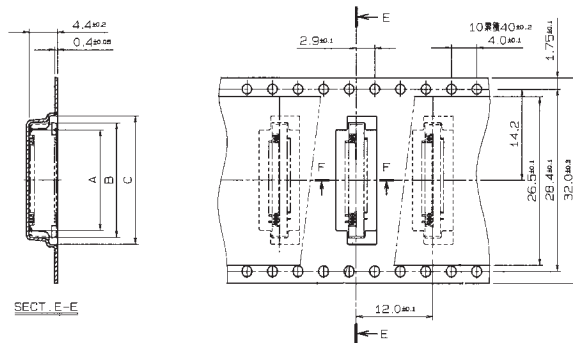
6214 エンボス梱包品 Tape and Reel Package



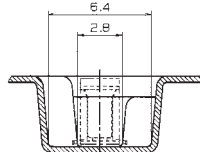
SECT. E-E



SECT. E-E



SECT. E-E



SECT. F-F

| 寸法表 DIMENSION | | | | |
|-------------------|----------------------|-----|-----|------|
| 極数 NO. OF POS. | 型番 | A | B | C |
| 6 | 04 6214 006 XXX XXXX | 5.2 | 7.3 | 9.5 |
| 7 | 04 6214 007 XXX XXXX | 5.7 | 7.8 | 10.0 |
| 8 | 04 6214 008 XXX XXXX | 6.2 | 8.3 | 10.5 |

| 寸法表 DIMENSION | | | | |
|-------------------|----------------------|------|------|------|
| 極数 NO. OF POS. | 型番 | A | B | C |
| 9 | 04 6214 009 XXX XXXX | 6.7 | 8.8 | 11.0 |
| 10 | ▲ 010 | 7.2 | 9.3 | 11.5 |
| 11 | 011 | 7.7 | 9.8 | 12.0 |
| 12 | 012 | 8.2 | 10.3 | 12.5 |
| 13 | 013 | 8.7 | 10.8 | 13.0 |
| 14 | 014 | 9.2 | 11.3 | 13.5 |
| 15 | 015 | 9.7 | 11.8 | 14.0 |
| 16 | 016 | 10.2 | 12.3 | 14.5 |
| 17 | 017 | 10.7 | 12.8 | 15.0 |
| 18 | 018 | 11.2 | 13.3 | 15.5 |
| 19 | 019 | 11.7 | 13.8 | 16.0 |
| 20 | 020 | 12.2 | 14.3 | 16.5 |
| 21 | 021 | 12.7 | 14.8 | 17.0 |
| 22 | 022 | 13.2 | 15.3 | 17.5 |
| 23 | ▼ 023 | 13.7 | 15.8 | 18.0 |
| 24 | 04 6214 024 XXX XXXX | 14.2 | 16.3 | 18.5 |

| 寸法表 DIMENSION | | | | |
|-------------------|----------------------|------|------|------|
| 極数 NO. OF POS. | 型番 | A | B | C |
| 25 | 04 6214 025 XXX XXXX | 14.7 | 16.8 | 19.0 |
| 26 | ▲ 026 | 15.2 | 17.3 | 19.5 |
| 27 | 027 | 15.7 | 17.8 | 20.0 |
| 28 | 028 | 16.2 | 18.3 | 20.5 |
| 29 | ▼ 029 | 16.7 | 18.8 | 21.0 |
| 30 | 04 6214 030 XXX XXXX | 17.2 | 19.3 | 21.5 |

生産対応可能極数については、営業部にご確認願います。
Feel free to contact our sales department for available numbers of positions.

注文コード ORDERING CODE

04 6214 OXX XXX XXX X

800+ : スズ銅めっき Sn-Cu Plated (RoHS対応品 RoHS Compliant Product)

800 : スズ鉛めっき Sn-Pb Plated

846+ : 金めっき Au Plated (RoHS対応品 RoHS Compliant Product)

000 : 標準タイプ Standard Slider

010 : スライダー拡張タイプ Extended Slider

極数 NUMBER OF POSITIONS

梱包数量 1000個/リール
PACKING QUANTITY : 1000/Reel