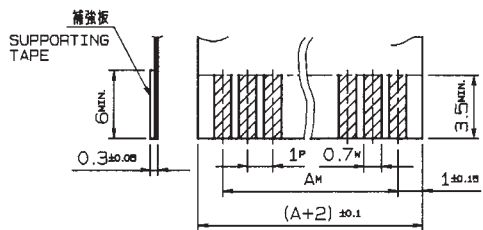
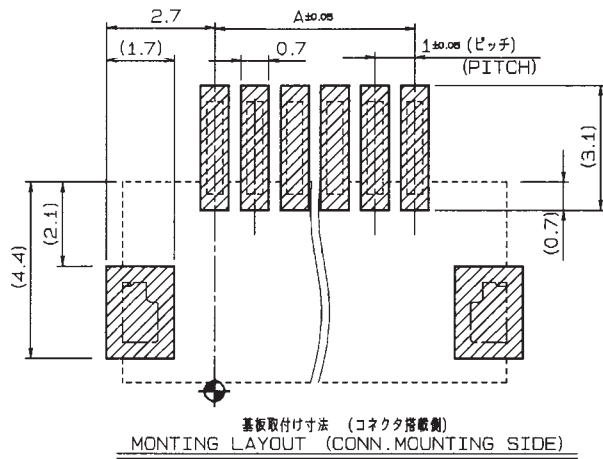
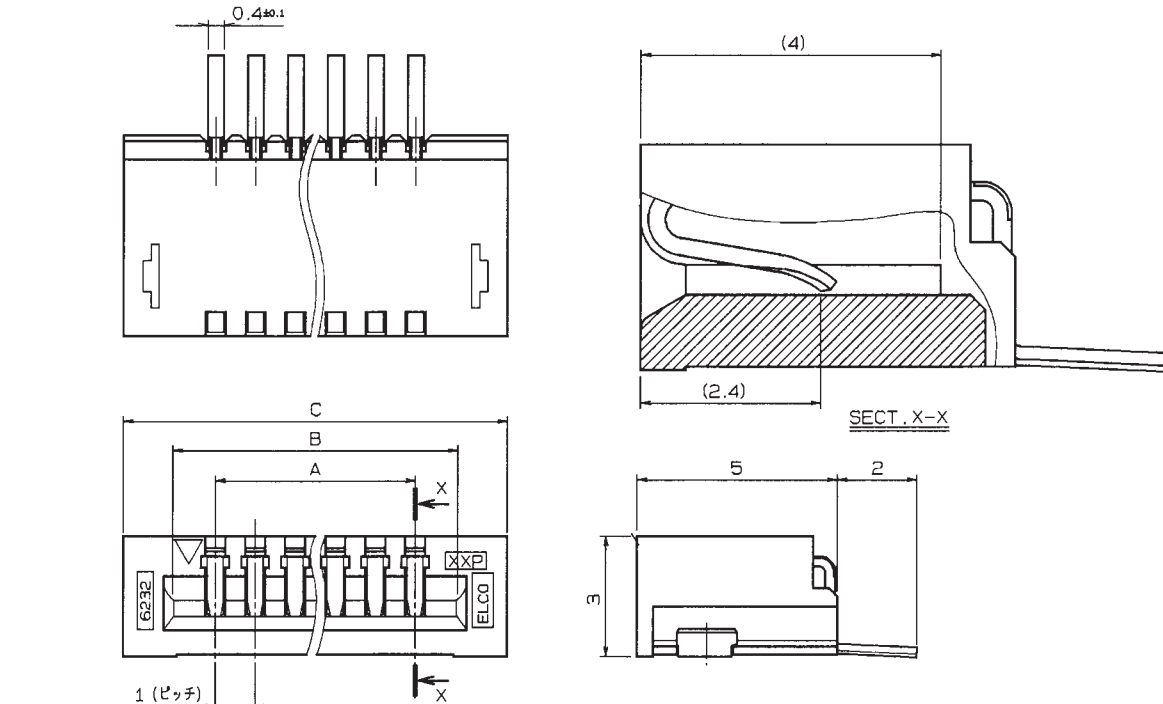


1.0mm Pitch

SERIES

6232

1.0mmピッチ NON-ZIF RA SMT 上接点
1.0mmPitch LIF RA SMT Top contact



| 種類 KIND | 公差 TOLERANCE | | |
|------------|-----------------|---------------|-------|
| | P | W | M |
| FPC | ±0.02 | +0.1 -0.05 | ±0.05 |
| FFC | ±0.05 | ±0.03 | ±0.1 |

適用 FPC/FFC
APPLICABLE FPC/FFC

注文コード ORDERING CODE

XX 6232 1XX 103 800 X

00 : トレー梱包
TRAY PACKAGE

エンボス梱包品 : 04 6232 1XX 103 800 X

Tape & Reel Package : 04 6232 1XX 103 800 X

極数 NUMBER OF POSITIONS

800+ : スズ銅めっき Sn-Cu Plated (RoHS対応品 RoHS Compliant Product)

800 : スズ鉛めっき Sn-Pb Plated

| 極数 NO. OF POS | 型番 ASSEMBLY NUMBER | A | B | C |
|---------------------|-----------------------|------|------|------|
| 3 | 00 6232 103 103 800X | 2.0 | 4.1 | 6.6 |
| 4 | ↑ 104 ↑ | 3.0 | 5.1 | 7.6 |
| 5 | 105 | 4.0 | 6.1 | 8.6 |
| 6 | 106 | 5.0 | 7.1 | 9.6 |
| 7 | 107 | 6.0 | 8.1 | 10.6 |
| 8 | 108 | 7.0 | 9.1 | 11.6 |
| 9 | 109 | 8.0 | 10.1 | 12.6 |
| 10 | 110 | 9.0 | 11.1 | 13.6 |
| 11 | 111 | 10.0 | 12.1 | 14.6 |
| 12 | 112 | 11.0 | 13.1 | 15.6 |
| 13 | 113 | 12.0 | 14.1 | 16.6 |
| 14 | 114 | 13.0 | 15.1 | 17.6 |
| 15 | 115 | 14.0 | 16.1 | 18.6 |
| 16 | 116 | 15.0 | 17.1 | 19.6 |
| 17 | 117 | 16.0 | 18.1 | 20.6 |
| 18 | 118 | 17.0 | 19.1 | 21.6 |
| 19 | 119 | 18.0 | 20.1 | 22.6 |
| 20 | 120 | 19.0 | 21.1 | 23.6 |
| 21 | 121 | 20.0 | 22.1 | 24.6 |
| 22 | 122 | 21.0 | 23.1 | 25.6 |
| 23 | 123 | 22.0 | 24.1 | 26.6 |
| 24 | 124 | 23.0 | 25.1 | 27.6 |
| 25 | 125 | 24.0 | 26.1 | 28.6 |
| 26 | 126 | 25.0 | 27.1 | 29.6 |
| 27 | 127 | 26.0 | 28.1 | 30.6 |
| 28 | 128 | 27.0 | 29.1 | 31.6 |
| 29 | ↓ 129 ↓ | 28.0 | 30.1 | 32.6 |
| 30 | 00 6232 130 103 800X | 29.0 | 31.1 | 33.6 |

生産対応可能極数については、営業部にご確認願います。
Feel free to contact our sales department for available numbers of positions.

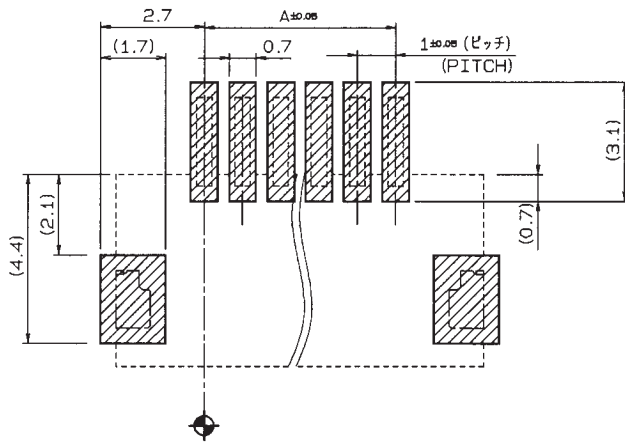
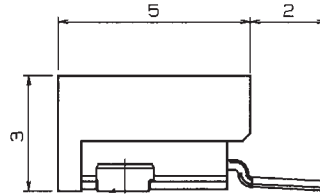
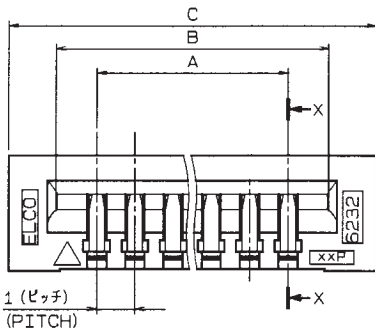
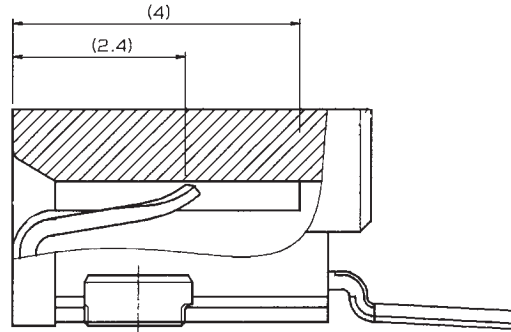
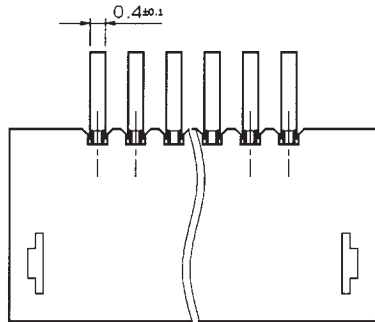
1.0mm Pitch

SERIES

6232

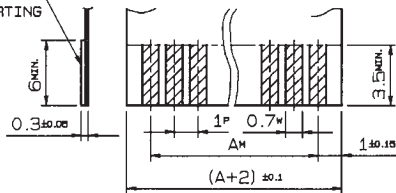
1.0mmピッチ NON-ZIF RA SMT 下接点

1.0mmPitch LIF RA SMT Bottom contact



基板取付け寸法 (コネクタ搭載側)
MOUNTING LAYOUT (CONN. MOUNTING SIDE)

補強板
SUPPORTING TAPE



| 種類 KIND | 公差 TOLERANCE | | |
|------------|-----------------|---------------|-------|
| | P | W | M |
| FPC | ±0.02 | +0.1 -0.05 | ±0.05 |
| FFC | ±0.05 | ±0.03 | ±0.1 |

適用 FPC/FFC
APPLICABLE FPC/FFC

注文コード ORDERING CODE

XX 6232 1XX 102 800 X

00 : トレー梱包
TRAY PACKAGE

極数 NUMBER OF POSITIONS

800+ : スズ銅めっき Sn-Cu Plated (RoHS対応品 RoHS Compliant Product)

800 : スズ鉛めっき Sn-Pb Plated

エンボス梱包品 : 04 6232 1XX 102 800 X

Tape & Reel Package : 04 6232 1XX 102 800 X

| 極数 NO. OF POS | 型番 ASSEMBLY NUMBER | A | B | C |
|------------------|-----------------------|------|------|------|
| 3 | 00 6232 103 102 800 X | 2.0 | 4.1 | 6.6 |
| 4 | ↑ 104 ↑ | 3.0 | 5.1 | 7.6 |
| 5 | 105 | 4.0 | 6.1 | 8.6 |
| 6 | 106 | 5.0 | 7.1 | 9.6 |
| 7 | 107 | 6.0 | 8.1 | 10.6 |
| 8 | 108 | 7.0 | 9.1 | 11.6 |
| 9 | 109 | 8.0 | 10.1 | 12.6 |
| 10 | 110 | 9.0 | 11.1 | 13.6 |
| 11 | 111 | 10.0 | 12.1 | 14.6 |
| 12 | 112 | 11.0 | 13.1 | 15.6 |
| 13 | 113 | 12.0 | 14.1 | 16.6 |
| 14 | 114 | 13.0 | 15.1 | 17.6 |
| 15 | 115 | 14.0 | 16.1 | 18.6 |
| 16 | 116 | 15.0 | 17.1 | 19.6 |
| 17 | 117 | 16.0 | 18.1 | 20.6 |
| 18 | 118 | 17.0 | 19.1 | 21.6 |
| 19 | 119 | 18.0 | 20.1 | 22.6 |
| 20 | 120 | 19.0 | 21.1 | 23.6 |
| 21 | 121 | 20.0 | 22.1 | 24.6 |
| 22 | 122 | 21.0 | 23.1 | 25.6 |
| 23 | 123 | 22.0 | 24.1 | 26.6 |
| 24 | 124 | 23.0 | 25.1 | 27.6 |
| 25 | 125 | 24.0 | 26.1 | 28.6 |
| 26 | 126 | 25.0 | 27.1 | 29.6 |
| 27 | 127 | 26.0 | 28.1 | 30.6 |
| 28 | 128 | 27.0 | 29.1 | 31.6 |
| 29 | ↓ 129 ↓ | 28.0 | 30.1 | 32.6 |
| 30 | 00 6232 130 102 800 X | 29.0 | 31.1 | 33.6 |

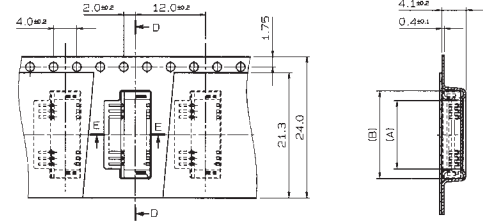
生産対応可能極数については、営業部にご確認願います。
Feel free to contact our sales department for available numbers of positions.

1.0mm Pitch

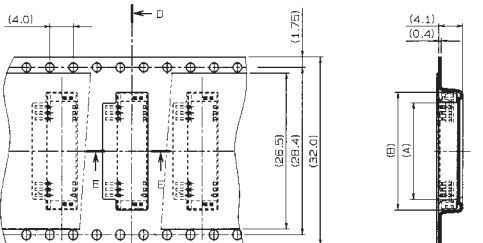
SERIES

6232 エンボス梱包品

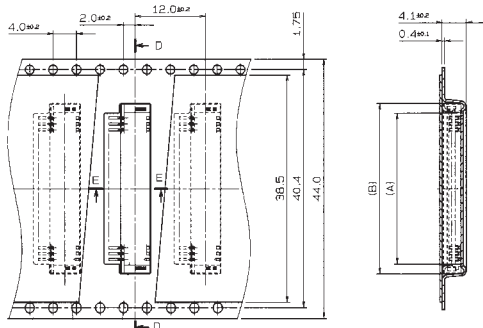
Tape and Reel Package



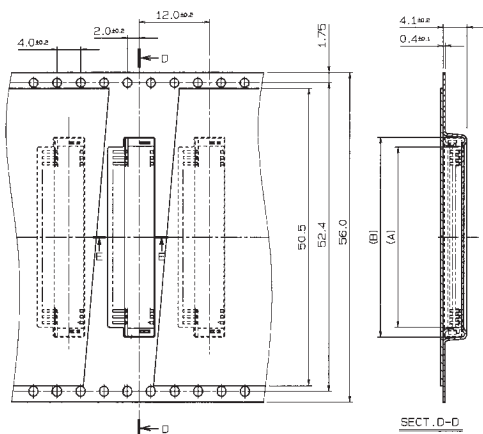
SECT. D-D



SECT. D-D



SECT. D-D



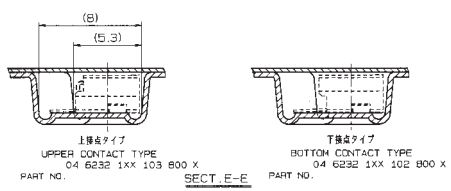
SECT. D-D

| 型番 PART NO. | 極数 NO. OF POS. | A | B |
|-----------------------|-------------------|------|------|
| 04 6232 103 10X 800 X | 3 | 3.6 | 6.9 |
| ↑ 104 | ↑ 4 | 4.6 | 7.9 |
| 105 | 5 | 5.6 | 8.9 |
| 106 | 6 | 6.6 | 9.9 |
| 107 | 7 | 7.6 | 10.9 |
| 108 | 8 | 8.6 | 11.9 |
| 109 | 9 | 9.6 | 12.9 |
| ↓ 110 | ↓ 10 | 10.6 | 13.9 |
| 04 6232 111 10X 800 X | 11 | 11.6 | 14.9 |

| 型番 PART NO. | 極数 NO. OF POS. | A | B |
|-----------------------|-------------------|------|------|
| 04 6232 112 10X 800 X | 12 | 12.6 | 15.9 |
| ↑ 113 | ↑ 13 | 13.6 | 16.9 |
| 114 | 14 | 14.6 | 17.9 |
| 115 | 15 | 15.6 | 18.9 |
| 116 | 16 | 16.6 | 19.9 |
| ↓ 117 | ↓ 17 | 17.6 | 20.9 |
| 04 6232 118 10X 800 X | 18 | 18.6 | 21.9 |

| 型番 PART NO. | 極数 NO. OF POS. | A | B |
|-----------------------|-------------------|------|------|
| 04 6232 119 10X 800 X | 19 | 19.6 | 22.9 |
| ↑ 120 | ↑ 20 | 20.6 | 23.9 |
| 121 | 21 | 21.6 | 24.9 |
| 122 | 22 | 22.6 | 25.9 |
| 123 | 23 | 23.6 | 26.9 |
| ↓ 124 | ↓ 24 | 24.6 | 27.9 |
| 04 6232 125 10X 800 X | 25 | 25.6 | 28.9 |

| 型番 PART NO. | 極数 NO. OF POS. | A | B |
|-----------------------|-------------------|------|------|
| 04 6232 126 10X 800 X | 26 | 26.6 | 29.9 |
| ↑ 127 | ↑ 27 | 27.6 | 30.9 |
| 128 | 28 | 28.6 | 31.9 |
| ↓ 129 | ↓ 29 | 29.6 | 32.9 |
| 04 6232 130 10X 800 X | 30 | 30.6 | 33.9 |



注文コード ORDERING CODE

04 6232 1XX 10X 800 X

極数
NUMBER
OF
POSITIONS

800+ : スズ銅めっき Sn-Cu Plated (RoHS対応品 RoHS Compliant Product)
 800 : スズ鉛めっき Sn-Pb Plated
 バリエーション VARIATION CODE
 2 : 下接点タイプ ボス無 BOTTOM CONTACT TYPE WITHOUT BOSS
 3 : 上接点タイプ ボス無 UPPER CONTACT TYPE WITHOUT BOSS

トレー梱包品 : 00 6232 1XX 10X 800 X
 TRAY PACKAGE : 00 6232 1XX 10X 800 X

梱包数量 1000個/リール
 PACKING QUANTITY : 1000/Reel

生産対応可能極数については、営業部にご確認願います。
 Feel free to contact our sales department for available numbers of positions.

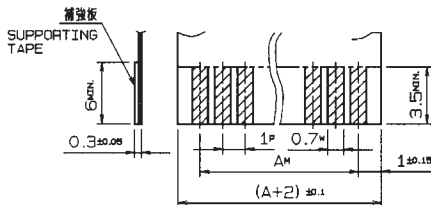
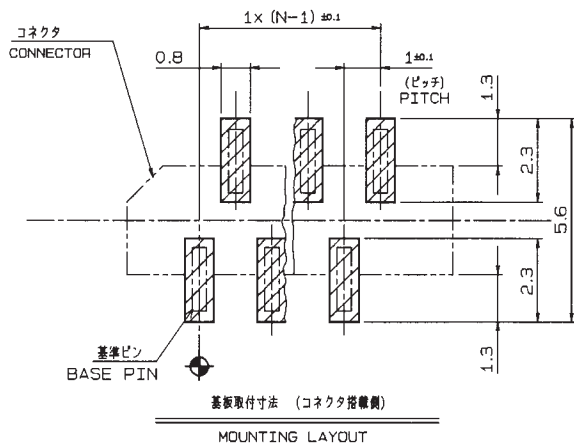
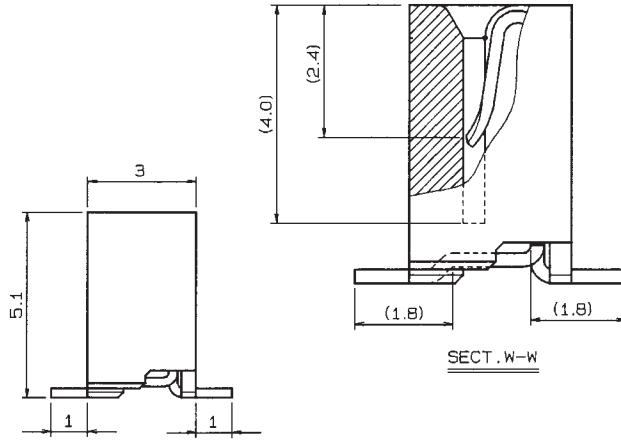
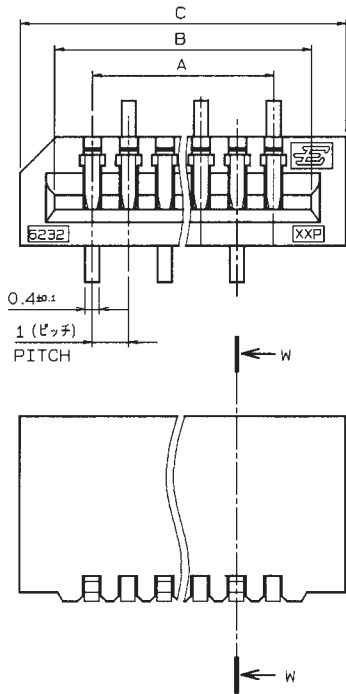
1.0mm Pitch

SERIES

6232

1.0mmピッチ NON-ZIF ストレート SMT 片面接点

1.0mmPitch LIF Vertical SMT Single-sided contact



| 種類 KIND | 公差 TOLERANCE | | |
|------------|--------------|---------------|-------|
| | P | W | M |
| FPC | ±0.02 | +0.1 -0.05 | ±0.05 |
| FFC | ±0.05 | ±0.03 | ±0.1 |

適用 FPC/FFC
APPLICABLE FPC/FFC

| 極数 NO. OF POS | 型番 ASSEMBLY NUMBER | A | B | C |
|------------------|-----------------------|------|------|------|
| 3 | 00 6232 103 006 800 X | 2.0 | 4.1 | 6.0 |
| 4 | ↑ 104 ↑ | 3.0 | 5.1 | 7.0 |
| 5 | ↑ 105 ↑ | 4.0 | 6.1 | 8.0 |
| 6 | ↑ 106 ↑ | 5.0 | 7.1 | 9.0 |
| 7 | ↑ 107 ↑ | 6.0 | 8.1 | 10.0 |
| 8 | ↑ 108 ↑ | 7.0 | 9.1 | 11.0 |
| 9 | ↑ 109 ↑ | 8.0 | 10.1 | 12.0 |
| 10 | ↑ 110 ↑ | 9.0 | 11.1 | 13.0 |
| 11 | ↑ 111 ↑ | 10.0 | 12.1 | 14.0 |
| 12 | ↑ 112 ↑ | 11.0 | 13.1 | 15.0 |
| 13 | ↑ 113 ↑ | 12.0 | 14.1 | 16.0 |
| 14 | ↑ 114 ↑ | 13.0 | 15.1 | 17.0 |
| 15 | ↑ 115 ↑ | 14.0 | 16.1 | 18.0 |
| 16 | ↑ 116 ↑ | 15.0 | 17.1 | 19.0 |
| 17 | ↑ 117 ↑ | 16.0 | 18.1 | 20.0 |
| 18 | ↑ 118 ↑ | 17.0 | 19.1 | 21.0 |
| 19 | ↑ 119 ↑ | 18.0 | 20.1 | 22.0 |
| 20 | ↑ 120 ↑ | 19.0 | 21.1 | 23.0 |
| 21 | ↑ 121 ↑ | 20.0 | 22.1 | 24.0 |
| 22 | ↑ 122 ↑ | 21.0 | 23.1 | 25.0 |
| 23 | ↑ 123 ↑ | 22.0 | 24.1 | 26.0 |
| 24 | ↑ 124 ↑ | 23.0 | 25.1 | 27.0 |
| 25 | ↑ 125 ↑ | 24.0 | 26.1 | 28.0 |
| 26 | ↑ 126 ↑ | 25.0 | 27.1 | 29.0 |
| 27 | ↑ 127 ↑ | 26.0 | 28.1 | 30.0 |
| 28 | ↑ 128 ↑ | 27.0 | 29.1 | 31.0 |
| 29 | ↑ 129 ↑ | 28.0 | 30.1 | 32.0 |
| 30 | 00 6232 130 006 800 X | 29.0 | 31.1 | 33.0 |

注文コード ORDERING CODE

00 6232 1XX 006 800 X

00: トレー梱包
TRAY PACKAGE

極数
NUMBER OF POSITIONS

800+: スズ銅めっき Sn-Cu Plated (RoHS対応品 RoHS Compliant Product)
800: スズ鉛めっき Sn-Pb Plated

エンボス梱包品: 04 6232 1XX 015 800 X
Tape & Reel Package: 04 6232 1XX 015 800 X

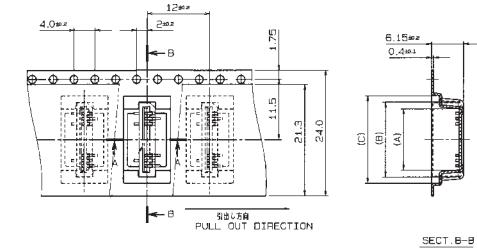
生産対応可能極数については、営業部にご確認願います。
Feel free to contact our sales department for available numbers of positions.

1.0mm Pitch

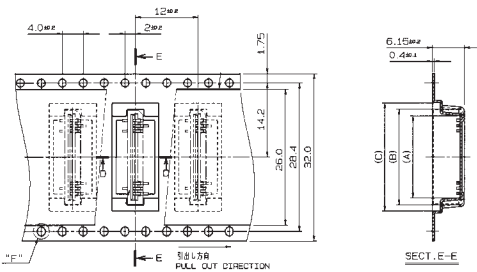
SERIES

6232 エンボス梱包品

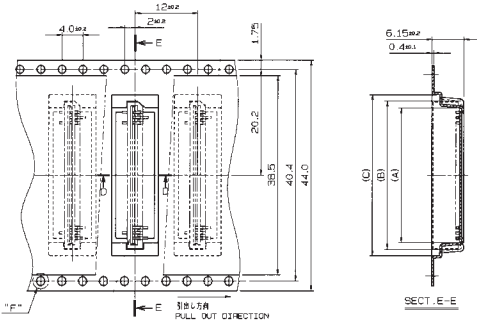
Tape and Reel Package



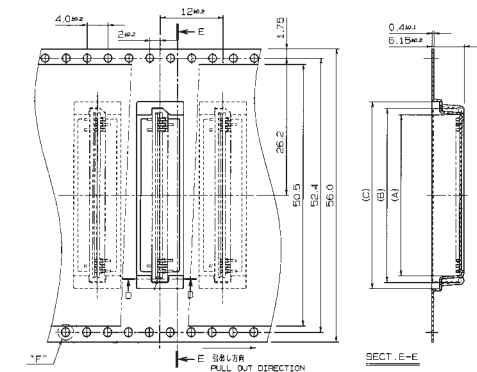
| 型番 | 極数 | A | B | C |
|-----------------------|----|------|------|------|
| 04 6232 103 015 800 X | 3 | 3.7 | 6.3 | 8.7 |
| 104 | 4 | 4.7 | 7.3 | 9.7 |
| 105 | 5 | 5.7 | 8.3 | 10.7 |
| 106 | 6 | 6.7 | 9.3 | 11.7 |
| 107 | 7 | 7.7 | 10.3 | 12.7 |
| 108 | 8 | 8.7 | 11.3 | 13.7 |
| 109 | 9 | 9.7 | 12.3 | 14.7 |
| 110 | 10 | 10.7 | 13.3 | 15.7 |
| 04 6232 111 015 800 X | 11 | 11.7 | 14.3 | 16.7 |



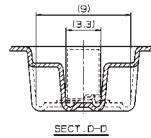
| 型番 | 極数 | A | B | C |
|-----------------------|----|------|------|------|
| 04 6232 112 015 800 X | 12 | 12.7 | 15.3 | 17.7 |
| 113 | 13 | 13.7 | 16.3 | 18.7 |
| 114 | 14 | 14.7 | 17.3 | 19.7 |
| 115 | 15 | 15.7 | 18.3 | 20.7 |
| 116 | 16 | 16.7 | 19.3 | 21.7 |
| 117 | 17 | 17.7 | 20.3 | 22.7 |
| 04 6232 118 015 800 X | 18 | 18.7 | 21.3 | 23.7 |



| 型番 | 極数 | A | B | C |
|-----------------------|----|------|------|------|
| 04 6232 119 015 800 X | 19 | 19.7 | 22.3 | 24.7 |
| 120 | 20 | 20.7 | 23.3 | 25.7 |
| 121 | 21 | 21.7 | 24.3 | 26.7 |
| 122 | 22 | 22.7 | 25.3 | 27.7 |
| 123 | 23 | 23.7 | 26.3 | 28.7 |
| 124 | 24 | 24.7 | 27.3 | 29.7 |
| 04 6232 125 015 800 X | 25 | 25.7 | 28.3 | 30.7 |



| 型番 | 極数 | A | B | C |
|-----------------------|----|------|------|------|
| 04 6232 126 015 800 X | 26 | 26.7 | 29.3 | 31.7 |
| 127 | 27 | 27.7 | 30.3 | 32.7 |
| 128 | 28 | 28.7 | 31.3 | 33.7 |
| 129 | 29 | 29.7 | 32.3 | 34.7 |
| 04 6232 130 015 800 X | 30 | 30.7 | 33.3 | 35.7 |



生産対応可能極数については、営業部にご確認願います。
Feel free to contact our sales department for available numbers of positions.

注文コード ORDERING CODE

04 6232 1XX 015 800 X

04 : エンボス梱包
Tape & Reel

NUMBER OF POSITIONS

800+ : スズ銅めっき Sn-Cu Plated (RoHS対応品 RoHS Compliant Product)
800 : スズ鉛めっき Sn-Pb Plated

トレー梱包品 : 00 6232 1XX 006 800 X
Tray Package : 00 6232 1XX 006 800 X

梱包数量 900個/リール
PACKING QUANTITY : 900/Reel

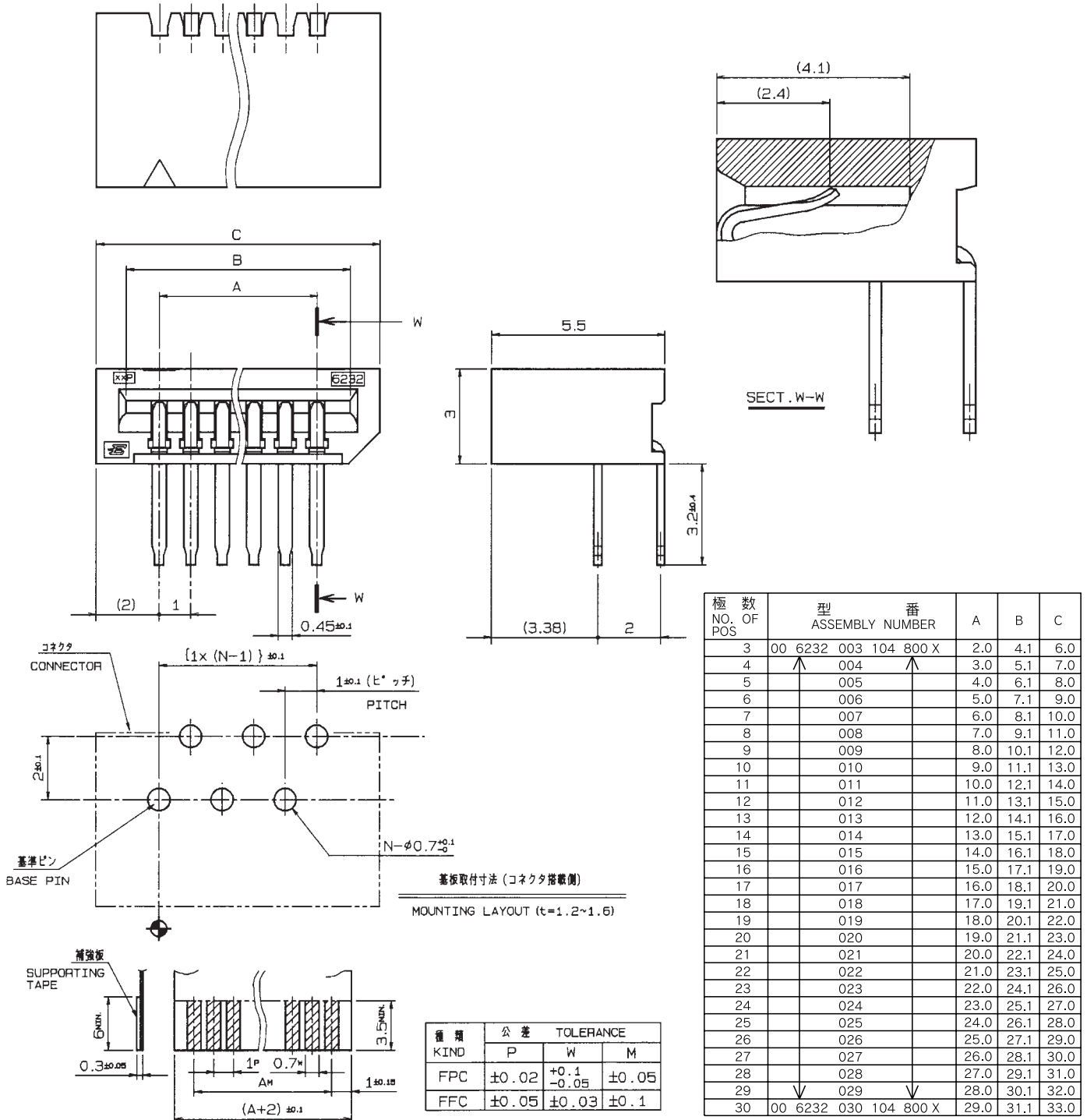
1.0mm Pitch

SERIES

6232

1.0mmピッチ NON-ZIF RA DIP 下接点

1.0mmPitch LIF RA Through hole Bottom contact



適用 FPC/FFC
APPLICABLE FPC/FFC

注文コード ORDERING CODE

00 6232 0XX 104 800 X

00: トレー梱包
TRAY PACKAGE

極数 NUMBER OF POSITIONS

800+: スズめっき Sn Plated (RoHS対応品 RoHS Compliant Product)

生産対応可能極数については、営業部にご確認願います。
Feel free to contact our sales department for available numbers of positions.

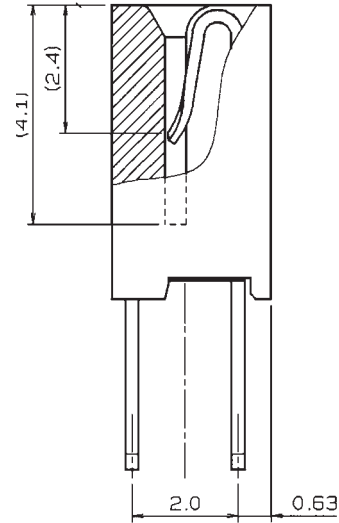
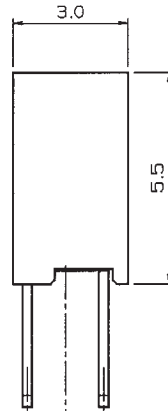
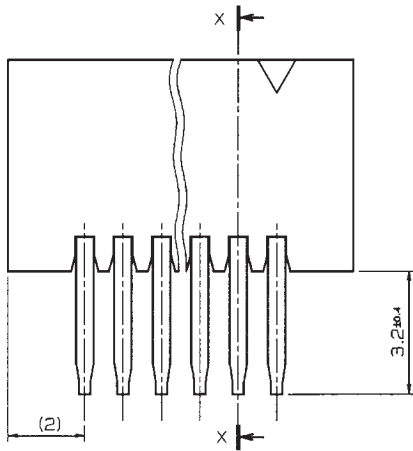
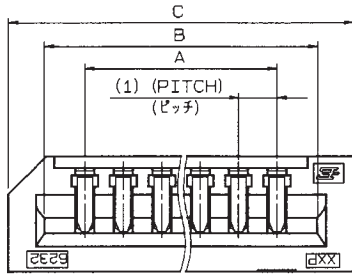
1.0mm Pitch

SERIES

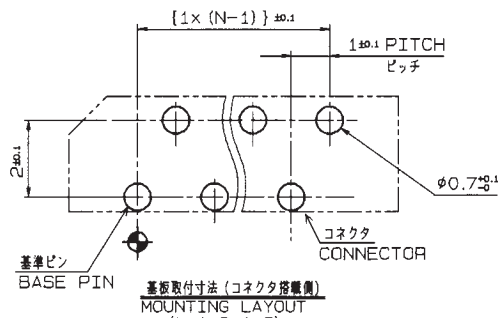
6232

1.0mmピッチ NON-ZIF ストレート DIP 片面接点

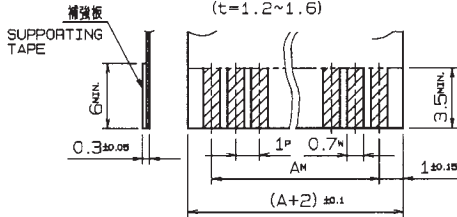
1.0mmPitch LIF Vertical Through hole Single-sided contact



SECT X-X



基板取付寸法 (コネクタ搭載時)
MOUNTING LAYOUT
(t=1.2~1.6)



適用 FPC/FFC
APPLICABLE FPC/FFC

| 種類 KIND | 公差 TOLERANCE | | |
|------------|-----------------|---------------|-------|
| | P | W | M |
| FPC | ±0.02 | +0.1 -0.05 | ±0.05 |
| FFC | ±0.05 | ±0.03 | ±0.1 |

| 極数 NO. OF POS | 型番 ASSEMBLY NUMBER | A | B | C |
|---------------------|-----------------------|------|------|------|
| 3 | 00 6232 003 XXX 800 X | 2.0 | 4.1 | 6.0 |
| 4 | 004 | 3.0 | 5.1 | 7.0 |
| 5 | 005 | 4.0 | 6.1 | 8.0 |
| 6 | 006 | 5.0 | 7.1 | 9.0 |
| 7 | 007 | 6.0 | 8.1 | 10.0 |
| 8 | 008 | 7.0 | 9.1 | 11.0 |
| 9 | 009 | 8.0 | 10.1 | 12.0 |
| 10 | 010 | 9.0 | 11.1 | 13.0 |
| 11 | 011 | 10.0 | 12.1 | 14.0 |
| 12 | 012 | 11.0 | 13.1 | 15.0 |
| 13 | 013 | 12.0 | 14.1 | 16.0 |
| 14 | 014 | 13.0 | 15.1 | 17.0 |
| 15 | 015 | 14.0 | 16.1 | 18.0 |
| 16 | 016 | 15.0 | 17.1 | 19.0 |
| 17 | 017 | 16.0 | 18.1 | 20.0 |
| 18 | 018 | 17.0 | 19.1 | 21.0 |
| 19 | 019 | 18.0 | 20.1 | 22.0 |
| 20 | 020 | 19.0 | 21.1 | 23.0 |
| 21 | 021 | 20.0 | 22.1 | 24.0 |
| 22 | 022 | 21.0 | 23.1 | 25.0 |
| 23 | 023 | 22.0 | 24.1 | 26.0 |
| 24 | 024 | 23.0 | 25.1 | 27.0 |
| 25 | 025 | 24.0 | 26.1 | 28.0 |
| 26 | 026 | 25.0 | 27.1 | 29.0 |
| 27 | 027 | 26.0 | 28.1 | 30.0 |
| 28 | 028 | 27.0 | 29.1 | 31.0 |
| 29 | 029 | 28.0 | 30.1 | 32.0 |
| 30 | 00 6232 030 XXX 800 X | 29.0 | 31.1 | 33.0 |

注文コード ORDERING CODE

00 6232 0XX XXX 800 X

00 : トレー梱包
TRAY PACKAGE

極数
NUMBER
OF
POSITIONS

バリエーション VARIATION CODE
006 : キンク付 WITH KINK
007 : キンク無 WITHOUT KINK

800+ : スズめっき Sn Plated (RoHS対応品 RoHS Compliant Product)

生産対応可能極数については、営業部にご確認願います。
Feel free to contact our sales department for available numbers of positions.