

1.25mm Pitch

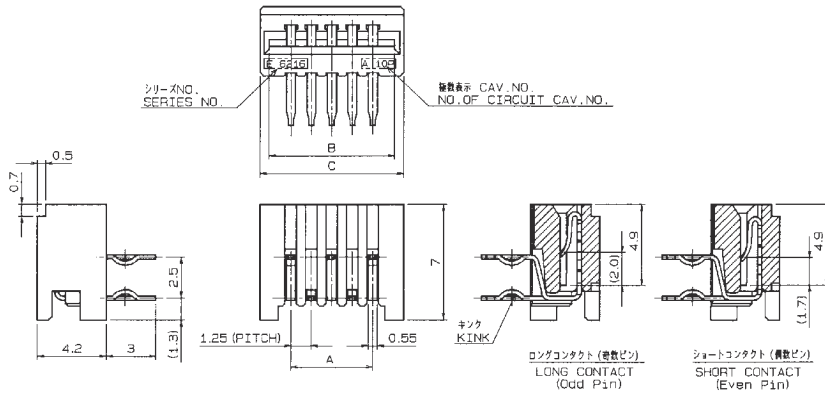
SERIES

# 6216

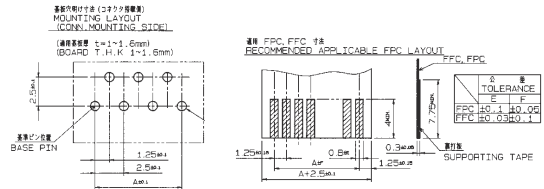
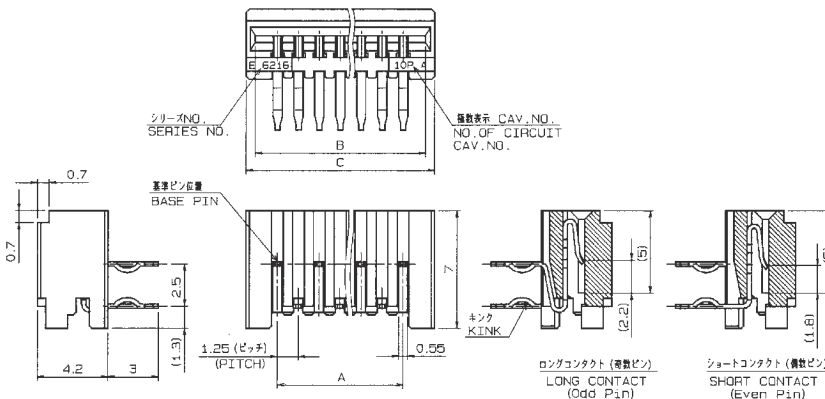
1.25mmピッチ NON-ZIF RA DIP 小極

1.25mmPitch LIF RA Through hole Low-pin count

## 上接点 Top contact



## 下接点 Bottom contact



## 上接点 Top contact

注文コード ORDERING CODE

**XX 6216 0XX 11X 808 X+**

RoHS 対応品

RoHS Compliant Product

00: トレー梱包  
TRAY PACKAGE  
28: マガジン梱包  
TUBE PACKAGE  
極数  
NUMBER OF POSITIONS

808A+: スズめっき Sn Plated 白色 White Color  
808+: スズめっき Sn Plated 黒色 Black Color

バリエーション VARIATION CODE  
0: キック有 WITH KINKED  
1: キック無 WITHOUT KINKED

## 下接点 Bottom contact

注文コード ORDERING CODE

**XX 6216 0XX 10X 808+**

RoHS 対応品

RoHS Compliant Product

00: トレー梱包  
TRAY PACKAGE  
28: マガジン梱包  
TUBE PACKAGE  
極数  
NUMBER OF POSITIONS

スズめっき Sn Plated

バリエーション VARIATION CODE  
0: キック有 WITH KINKED  
1: キック無 WITHOUT KINKED

| 脚数<br>NO. OF PGS. | A     | B     | C     | 単位数<br>UNITS/TUBE |
|-------------------|-------|-------|-------|-------------------|
| 4                 | 3.75  | 6.41  | 7.50  | 61                |
| 5                 | 5.00  | 7.66  | 8.75  | 53                |
| 6                 | 6.25  | 8.91  | 10.00 | 45                |
| 7                 | 7.50  | 10.16 | 11.25 | 41                |
| 8                 | 8.75  | 11.41 | 12.50 | 37                |
| 9                 | 10.00 | 12.66 | 13.75 | 34                |
| 10                | 11.25 | 13.91 | 15.00 | 31                |
| 11                | 12.50 | 15.15 | 16.25 | 29                |
| 12                | 13.75 | 16.41 | 17.50 | 27                |
| 13                | 15.00 | 17.66 | 18.75 | 25                |
| 14                | 16.25 | 18.91 | 20.00 | 23                |
| 15                | 17.50 | 20.16 | 21.25 | 22                |
| 16                | 18.75 | 21.41 | 22.50 | 21                |
| 17                | 20.00 | 22.66 | 23.75 | 20                |
| 18                | 21.25 | 23.91 | 25.00 | 19                |
| 19                | 22.50 | 25.16 | 26.25 | 18                |
| 20                | 23.75 | 26.41 | 27.50 | 17                |
| 21                | 25.00 | 27.66 | 28.75 | 16                |
| 22                | 26.25 | 28.91 | 30.00 | 15                |
| 23                | 27.50 | 30.15 | 31.25 | 15                |
| 24                | 28.75 | 31.41 | 32.50 | 14                |
| 25                | 30.00 | 32.66 | 33.75 | 14                |
| 26                | 31.25 | 33.91 | 35.00 | 13                |
| 27                | 32.50 | 35.15 | 36.25 | 13                |
| 28                | 33.75 | 36.41 | 37.50 | 12                |
| 29                | 35.00 | 37.66 | 38.75 | 12                |
| 30                | 36.25 | 38.91 | 40.00 | 11                |

生産対応可能極数については、営業部にご確認願います。

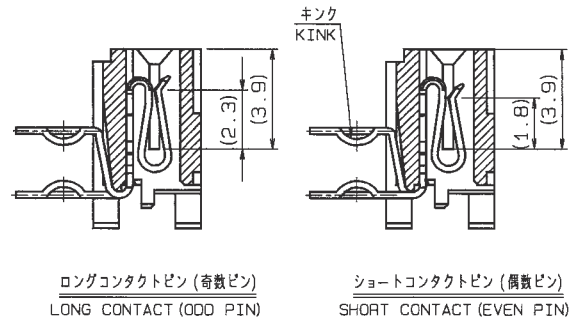
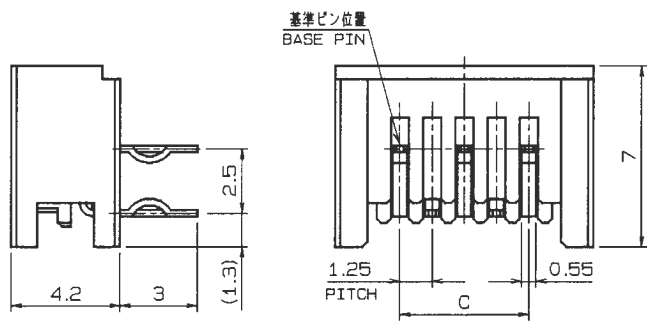
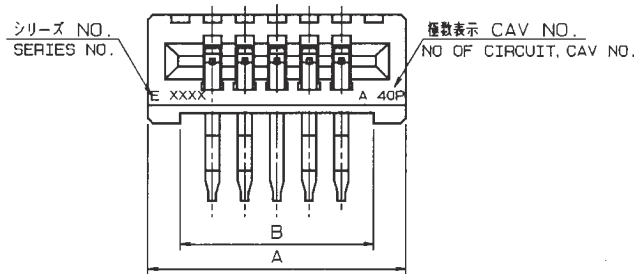
Feel free to contact our sales department for available numbers of positions.

1.25mm Pitch  
SERIES

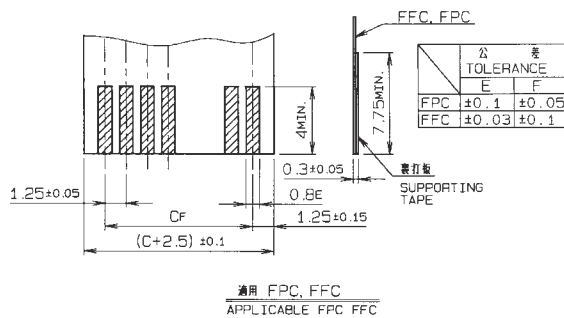
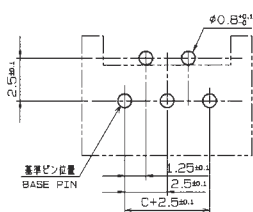
# 6216

1.25mmピッチ NON-ZIF RA DIP 上接点 大極

1.25mmPitch LIF RA Through hole Top contact High-pin count



基板穴明け寸法 (コネクタ側参照)  
MOUNTING LAYOUT  
(CONN. MOUNTING SIDE)  
(適用基板厚  $t=1\sim 1.5\text{mm}$ )  
(BOARD T.H.K.  $1\sim 1.5\text{mm}$ )



| 極数<br>NO OF<br>PINS | A     | B     | C     |
|---------------------|-------|-------|-------|
| 31                  | 42.50 | 40.16 | 37.50 |
| 32                  | 43.75 | 41.41 | 38.75 |
| 33                  | 45.00 | 42.66 | 40.00 |
| 34                  | 46.25 | 43.91 | 41.25 |
| 35                  | 47.50 | 45.16 | 42.50 |
| 36                  | 48.75 | 46.41 | 43.75 |
| 37                  | 50.00 | 47.66 | 45.00 |
| 38                  | 51.25 | 48.91 | 46.25 |
| 39                  | 52.50 | 50.16 | 47.50 |
| 40                  | 53.75 | 51.41 | 48.75 |

注文コード ORDERING CODE

00 6216 OXX 12X 808+

00 : トレー梱包  
TRAY PACKAGE

極数  
NUMBER  
OF  
POSITIONS

RoHS 対応品  
RoHS Compliant Product

スズめっき Sn Plated

バリエーション VARIATION CODE  
0 : キング有 WITH KINKED  
1 : キング無 WITHOUT KINKED

生産対応可能極数については、営業部に  
ご確認願います。

Feel free to contact our sales department  
for available numbers of positions.

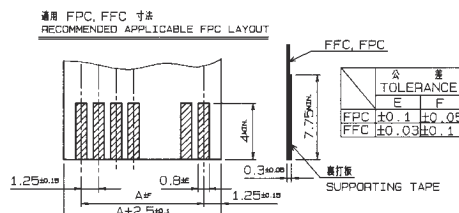
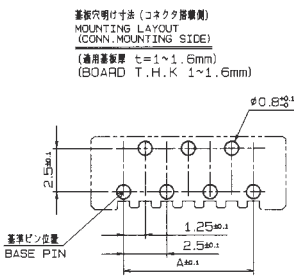
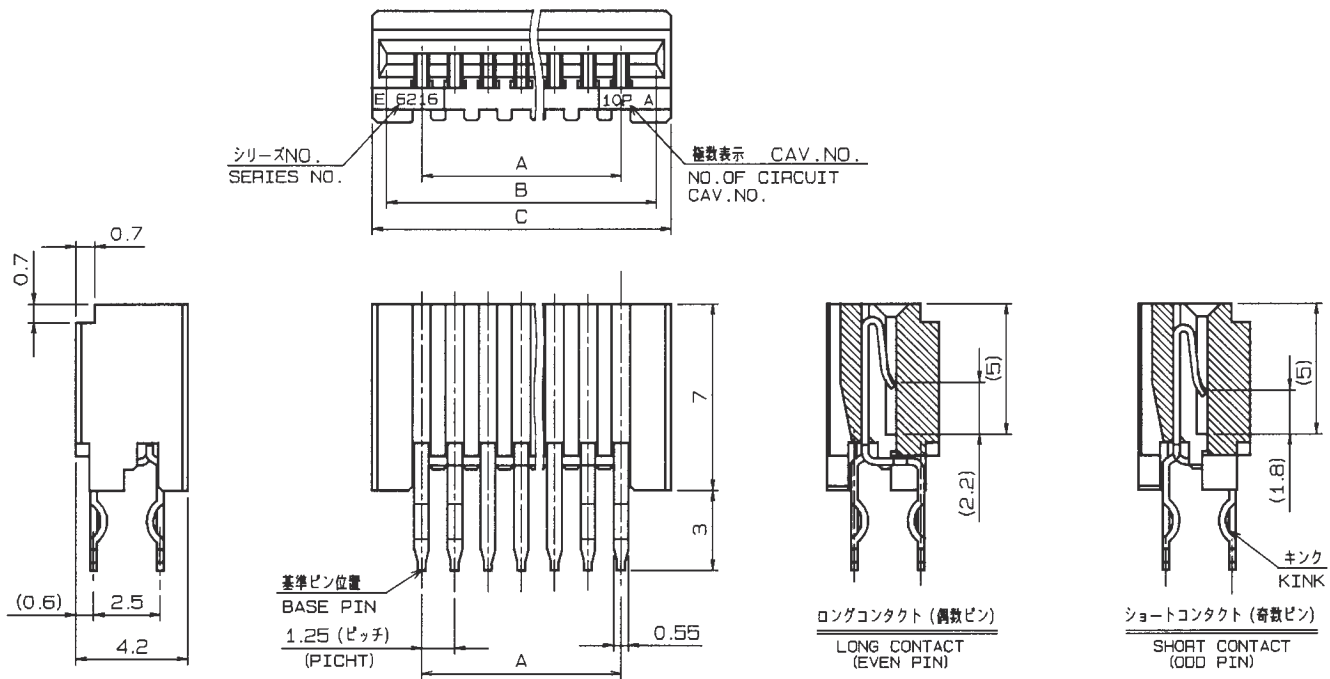
1.25mm Pitch

SERIES

# 6216

1.25mmピッチ NON-ZIF ストレート DIP 小極

1.25mmPitch LIF Vertical Through hole Low-pin count



| NO. OF POS. | A     | B     | C     |
|-------------|-------|-------|-------|
| 4           | 3.75  | 6.41  | 7.50  |
| 5           | 5.00  | 7.66  | 8.75  |
| 6           | 6.25  | 8.91  | 10.00 |
| 7           | 7.50  | 10.16 | 11.25 |
| 8           | 8.75  | 11.41 | 12.50 |
| 9           | 10.00 | 12.66 | 13.75 |
| 10          | 11.25 | 13.91 | 15.00 |
| 11          | 12.50 | 15.16 | 16.25 |
| 12          | 13.75 | 16.41 | 17.50 |
| 13          | 15.00 | 17.66 | 18.75 |
| 14          | 16.25 | 18.91 | 20.00 |
| 15          | 17.50 | 20.16 | 21.25 |
| 16          | 18.75 | 21.41 | 22.50 |
| 17          | 20.00 | 22.66 | 23.75 |
| 18          | 21.25 | 23.91 | 25.00 |
| 19          | 22.50 | 25.16 | 26.25 |
| 20          | 23.75 | 26.41 | 27.50 |
| 21          | 25.00 | 27.66 | 28.75 |
| 22          | 26.25 | 28.91 | 30.00 |
| 23          | 27.50 | 30.16 | 31.25 |
| 24          | 28.75 | 31.41 | 32.50 |
| 25          | 30.00 | 32.66 | 33.75 |
| 26          | 31.25 | 33.91 | 35.00 |
| 27          | 32.50 | 35.16 | 36.25 |
| 28          | 33.75 | 36.41 | 37.50 |
| 29          | 35.00 | 37.66 | 38.75 |
| 30          | 36.25 | 38.91 | 40.00 |

注文コード ORDERING CODE

00 6216 OXX 00X 808+

極数  
NUMBER  
OF  
POSITIONS

RoHS 対応品

RoHS Compliant Product

スズめっき Sn Plated

バリエーション VARIATION CODE

0: キック有 WITH KINKED

1: キック無 WITHOUT KINKED

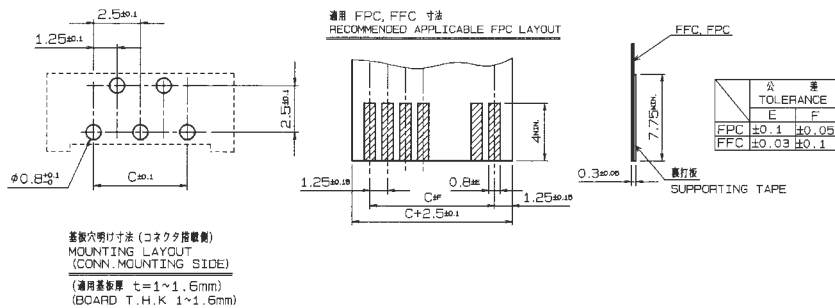
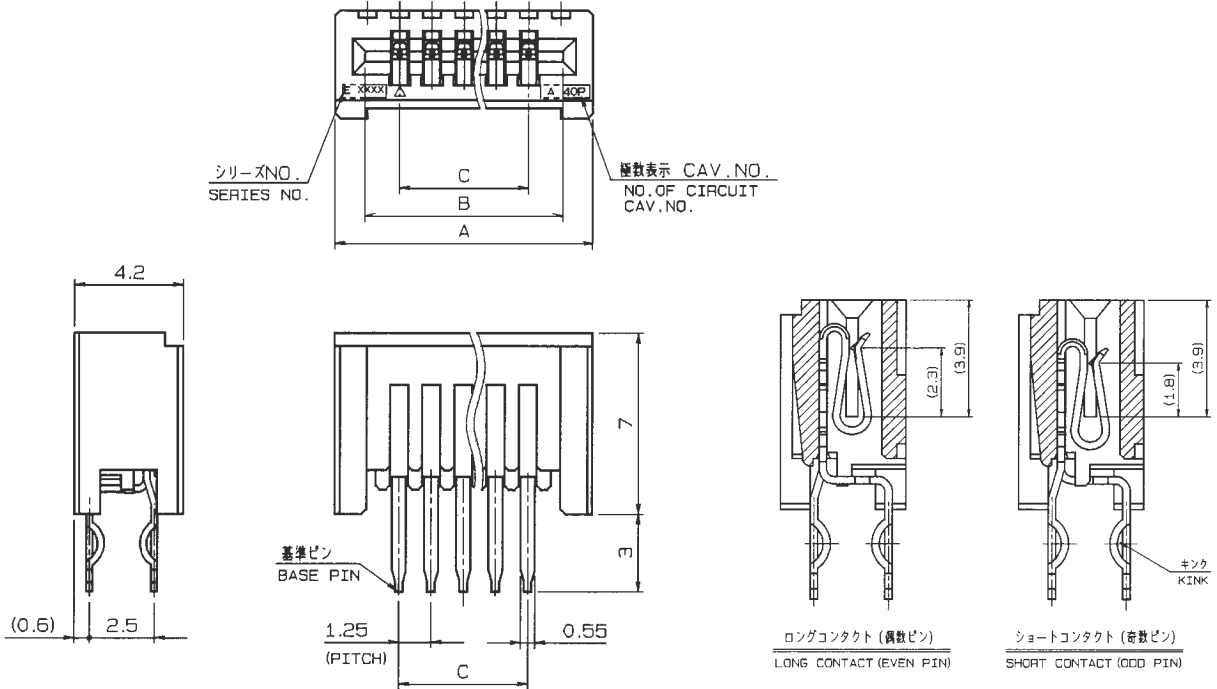
生産対応可能極数については、営業部にご確認願います。

Feel free to contact our sales department for available numbers of positions.

1.25mm Pitch  
SERIES

# 6216

1.25mmピッチ NON-ZIF ストレート DIP 大極  
1.25mmPitch LIF Vertical Through hole High-pin count



| 極数<br>NO. OF POS. | A     | B     | C     |
|-------------------|-------|-------|-------|
| 31                | 42.50 | 40.16 | 37.50 |
| 32                | 43.75 | 41.41 | 38.75 |
| 33                | 45.00 | 42.66 | 40.00 |
| 34                | 46.25 | 43.91 | 41.25 |
| 35                | 47.50 | 45.16 | 42.50 |
| 36                | 48.75 | 46.41 | 43.75 |
| 37                | 50.00 | 47.66 | 45.00 |
| 38                | 51.25 | 48.91 | 46.25 |
| 39                | 52.50 | 50.16 | 47.50 |
| 40                | 53.75 | 51.41 | 48.75 |

注文コード ORDERING CODE

00 6216 1XX 82X 808

00: トレー梱包  
TRAY PACKAGE

極数  
NUMBER  
OF  
POSITIONS

RoHS 対応品  
RoHS Compliant Product

スズめっき Sn Plated

バリエーション VARIATION CODE  
0: キンク有 WITH KINKED  
1: キンク無 WITHOUT KINKED

生産対応可能極数については、営業部にご確認願います。

Feel free to contact our sales department for available numbers of positions.