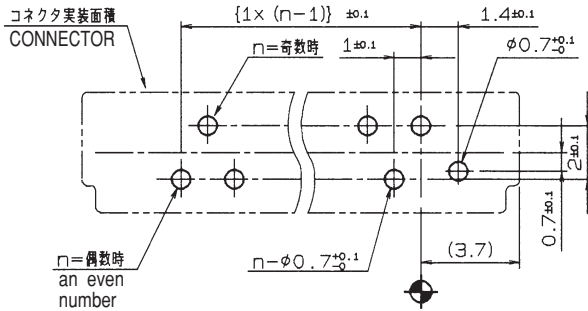
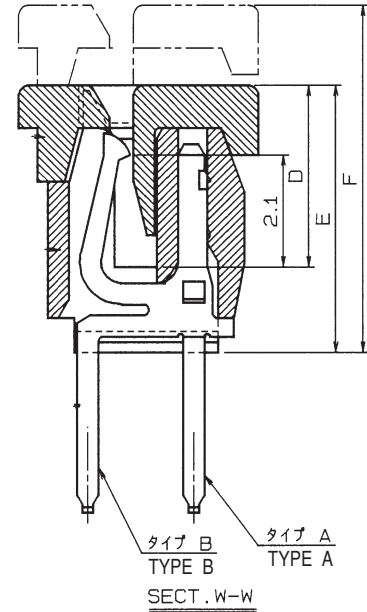
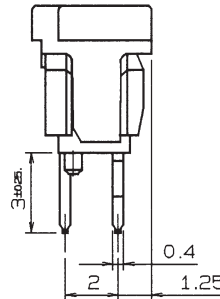
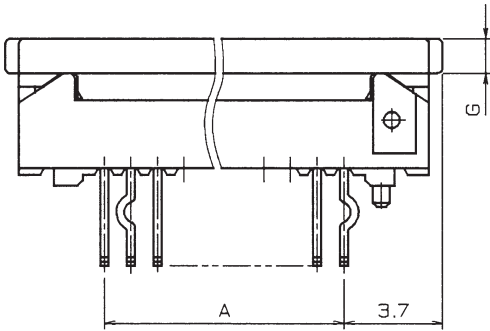
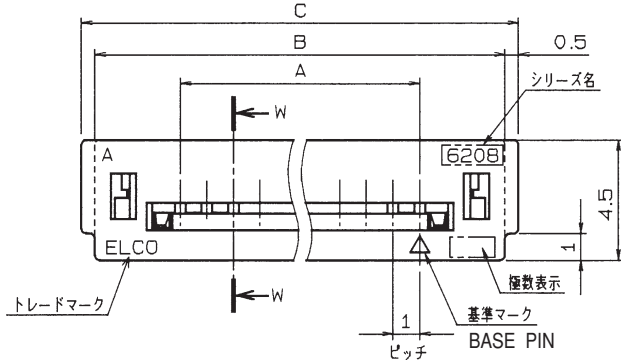


1.0mm Spacing

SERIES

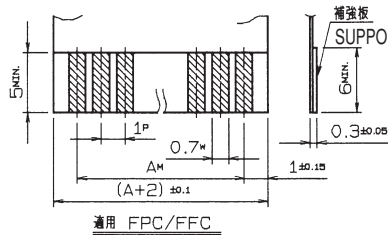
6208 ZIF ストレート DIP

ZIF Vertical Through Hole



基板取付寸法 (コネクタ搭載側)
MOUNTING LAYOUT
(t=1.2~1.6)

| 種類 | 公差 | | |
|-----|-------|----------------|-------|
| | P | W | M |
| FPC | ±0.02 | +0.07 -0.06 | ±0.05 |
| FFC | ±0.05 | ±0.03 | ±0.1 |



通用 FPC/FFC

| 寸法表 | | 表 | | | | | | | 収納数量 |
|-----|---------------------|------|------|------|-----|-----|-----|-----|------------|
| 極数 | 型番 | A | B | C | D | E | F | G | UNITS/TUBE |
| 5 | 08 6208 x×0 105 001 | 4.0 | 10.4 | 11.4 | | | | | 42 |
| 6 | ↑ 106 ↑ | 5.0 | 11.4 | 12.4 | | | | | 38 |
| 7 | ↑ 107 ↑ | 6.0 | 12.4 | 13.4 | | | | | 35 |
| 8 | ↑ 108 ↑ | 7.0 | 13.4 | 14.4 | | | | | 33 |
| 9 | ↑ 109 ↑ | 8.0 | 14.4 | 15.4 | | | | | 31 |
| 10 | ↑ 110 ↑ | 9.0 | 15.4 | 16.4 | | | | | 29 |
| 11 | ↑ 111 ↑ | 10.0 | 16.4 | 17.4 | | | | | 27 |
| 12 | ↑ 112 ↑ | 11.0 | 17.4 | 18.4 | | | | | 26 |
| 13 | ↑ 113 ↑ | 12.0 | 18.4 | 19.4 | | | | | 24 |
| 14 | ↑ 114 ↑ | 13.0 | 19.4 | 20.4 | | | | | 23 |
| 15 | ↑ 115 ↑ | 14.0 | 20.4 | 21.4 | | | | | 22 |
| 16 | ↑ 116 ↑ | 15.0 | 21.4 | 22.4 | | | | | 21 |
| 17 | ↑ 117 ↑ | 16.0 | 22.4 | 23.4 | | | | | 20 |
| 18 | ↑ 118 ↑ | 17.0 | 23.4 | 24.4 | | | | | 19 |
| 19 | ↑ 119 ↑ | 18.0 | 24.4 | 25.4 | ↓ | ↓ | ↓ | ↓ | 18 |
| 20 | ↑ 120 ↑ | 19.0 | 25.4 | 26.4 | 3.4 | 5.0 | 6.5 | 0.8 | 18 |
| 21 | ↑ 121 ↑ | 20.0 | 26.4 | 27.4 | 3.6 | 5.2 | 6.7 | 1.0 | 17 |
| 22 | ↑ 122 ↑ | 21.0 | 27.4 | 28.4 | ↑ | ↑ | ↑ | ↑ | 17 |
| 23 | ↑ 123 ↑ | 22.0 | 28.4 | 29.4 | ↓ | ↓ | ↓ | ↓ | 16 |
| 24 | ↑ 124 ↑ | 23.0 | 29.4 | 30.4 | ↓ | ↓ | ↓ | ↓ | 16 |
| 25 | 08 6208 x×0 125 001 | 24.0 | 30.4 | 31.4 | 3.6 | 5.2 | 6.7 | 1.0 | 15 |
| 26 | 08 6208 x×0 126 001 | 25.0 | 31.4 | 32.4 | 3.9 | 5.5 | 7.0 | 1.3 | 15 |
| 27 | ↑ 127 ↑ | 26.0 | 32.4 | 33.4 | ↑ | ↑ | ↑ | ↑ | 14 |
| 28 | ↑ 128 ↑ | 27.0 | 33.4 | 34.4 | ↑ | ↑ | ↑ | ↑ | 14 |
| 29 | ↑ 129 ↑ | 28.0 | 34.4 | 35.4 | ↓ | ↓ | ↓ | ↓ | 13 |
| 30 | 08 6208 x×0 130 001 | 29.0 | 35.4 | 36.4 | 3.9 | 5.5 | 7.0 | 1.3 | 13 |

注文コード ORDERING CODE
XX 6208 XX0 1XX 001

08 : マガジン TUBE PACKAGE
(ONLY WITHOUT KINKED BOSS)
00 : トレー梱包
TRAY PACKAGE

0 : キンク有 WITH KINKED
1 : キンク無 WITHOUT KINKED
0 : ボス無 WITHOUT BOSS
1 : ボス付 WITH BOSS

極数 NUMBER OF CONTACTS

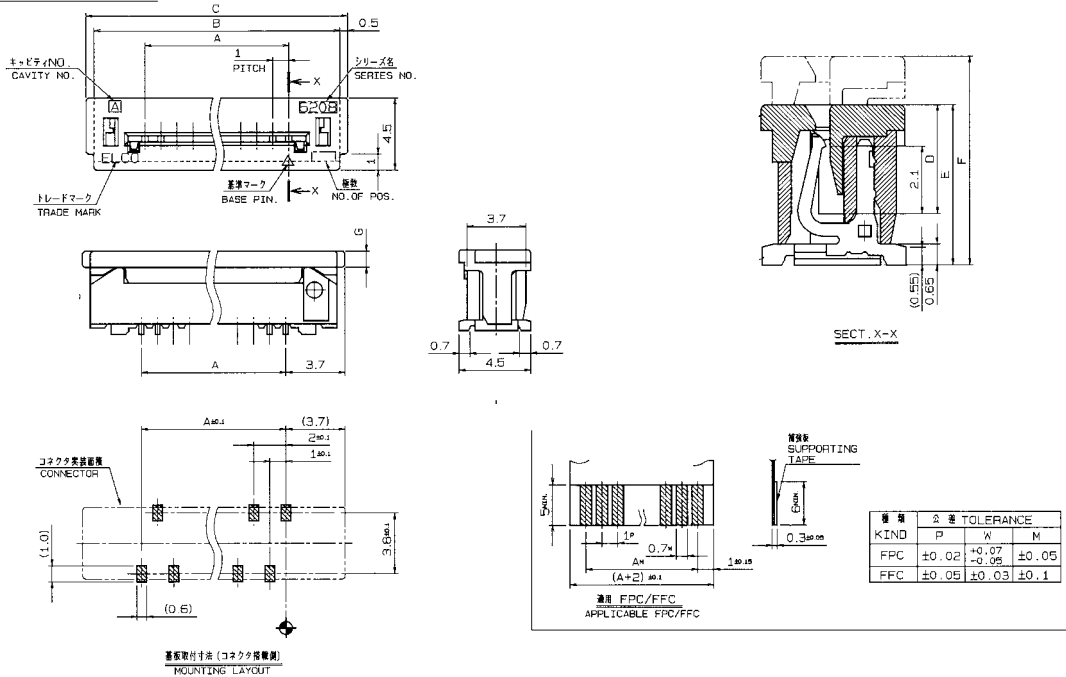
1.0mm Spacing

SERIES

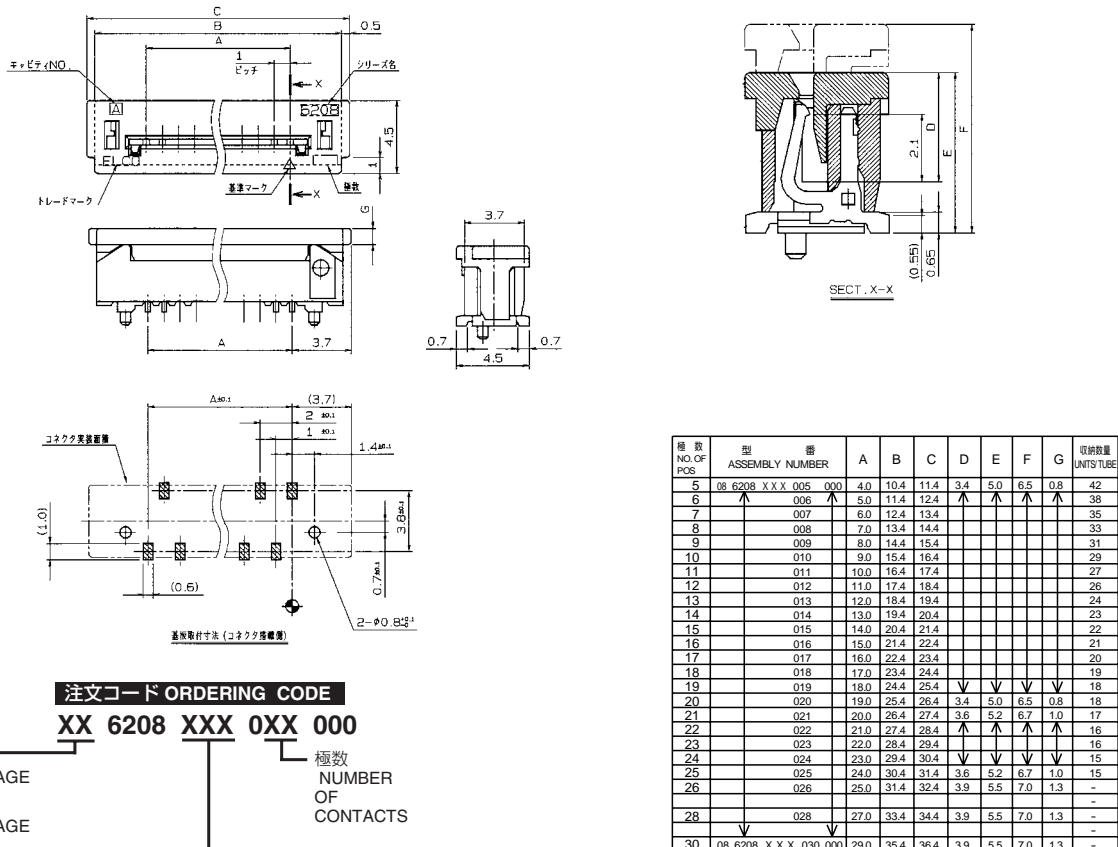
6208 ZIF ストレート SMT

ZIF Vertical SMT

ボス無 WITHOUT BOSS



ボス付 WITH BOSS



注文コード ORDERING CODE
XX 6208 XXX 0XX 000

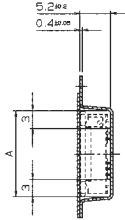
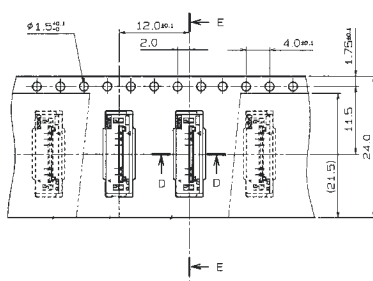
00 : トレー梱包 TRAY PACKAGE
 08 : マガジン TUBE PACKAGE
 バリエーション VARIATION CODE
 ※500 : SMT ボス無 WITHOUT BOSS
 520 : SMT ボス付 WITH BOSS

極数 NUMBER OF CONTACTS

1.0mm Spacing

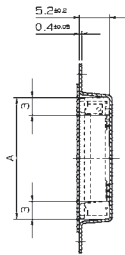
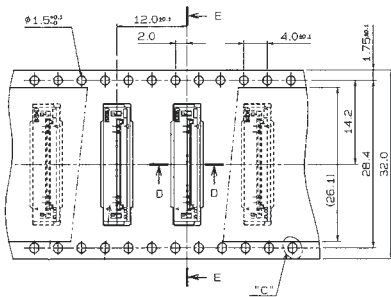
SERIES

6208 エンボス梱包品 Tape and Reel Package



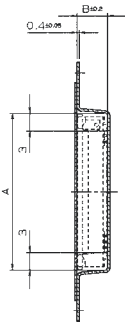
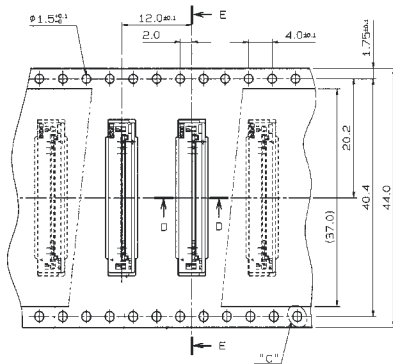
SECT. E-E

| 型番 | P/N | 極数 | NO.OF POS | A |
|---------------------|-------|----|-----------|------|
| 00 6208 505 110 000 | | 5 | | 11.6 |
| | ↑ 506 | 6 | | 12.6 |
| | 507 | 7 | | 13.6 |
| | 508 | 8 | | 14.6 |
| | ↓ 509 | 9 | | 15.6 |
| 00 6208 510 110 000 | | 10 | | 16.6 |



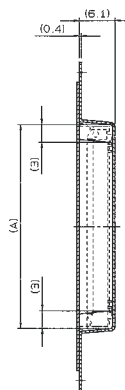
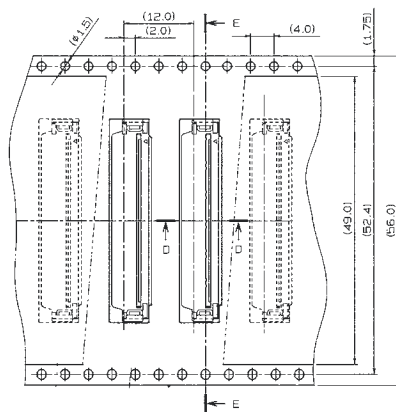
SECT. E-E

| 型番 | P/N | 極数 | NO.OF POS | A |
|---------------------|-------|----|-----------|------|
| 00 6208 511 210 000 | | 11 | | 17.6 |
| | ↑ 512 | 12 | | 18.6 |
| | 513 | 13 | | 19.6 |
| | 514 | 14 | | 20.6 |
| | ↓ 515 | 15 | | 21.6 |
| 00 6208 516 210 000 | | 16 | | 22.6 |



SECT. E-E

| 型番 | P/N | 極数 | NO.OF POS | A |
|---------------------|-------|----|-----------|------|
| 00 6208 517 310 000 | | 17 | | 23.6 |
| | ↑ 518 | 18 | | 24.6 |
| | 519 | 19 | | 25.6 |
| | 520 | 20 | | 26.6 |
| | 521 | 21 | | 27.6 |
| | 522 | 22 | | 28.6 |
| | 523 | 23 | | 29.6 |
| | ↓ 524 | 24 | | 30.6 |
| | 525 | 25 | | 31.6 |
| 00 6208 526 310 000 | | 26 | | 32.6 |



SECT. E-E

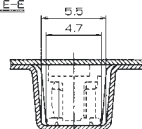
| 型番 | P/N | 極数 | NO.OF POS | A |
|---------------------|-----|----|-----------|------|
| 00 6208 528 410 000 | | 28 | | 34.7 |
| 00 6208 530 410 000 | | 30 | | 36.7 |

注文コード ORDERING CODE

00 6208 5XX X10 000

極数
NUMBER
OF
POSITIONS

バリエーション VARIATION CODE
 1: エンボス Tape and Reel 24.0mm
 2: エンボス Tape and Reel 32.0mm
 3: エンボス Tape and Reel 44.0mm
 4: エンボス Tape and Reel 56.0mm



SECT. D-D

梱包数量 1000ヶ/リール
(1000 connectors per Tape and Reel.)