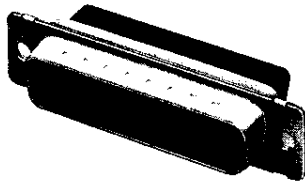
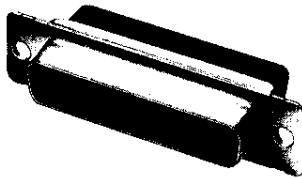


HDP-22 Crimp Snap-In Contact Connectors (Continued)



Plug
(With Grounding Indents)

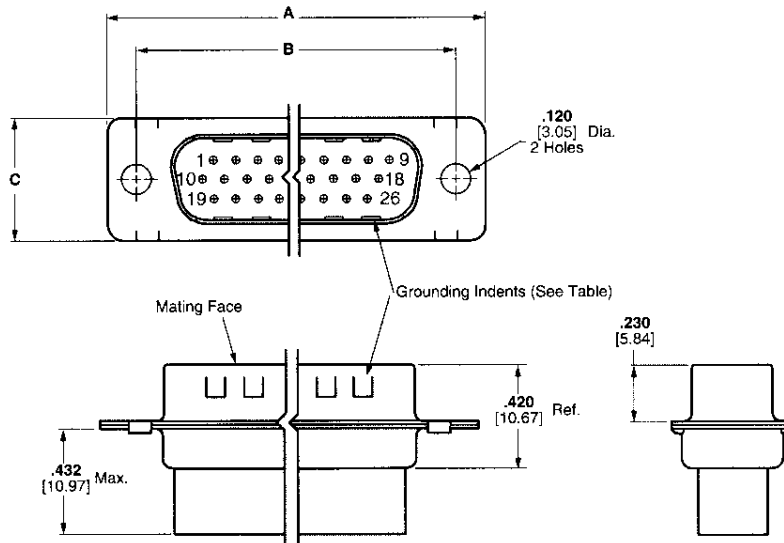


Receptacle

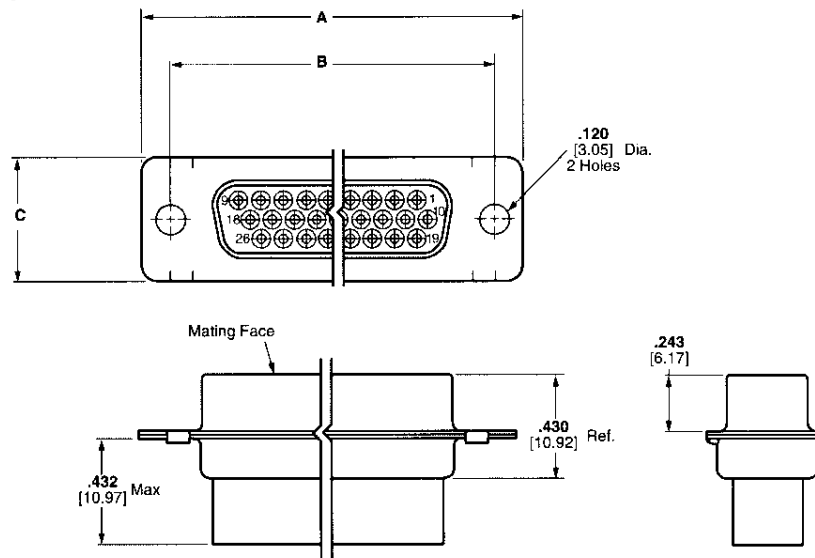


Clinch Nut
(Plug and Receptacle)

Plug



Receptacle



Material and Finish:

Shell—Steel, tin plated

Insert—94V-0 rated thermoplastic, black

Contacts and ferrules must be purchased separately.

Related Product Data:

Contact Arrangements—page 41

Performance Characteristics—page 42

Contacts—page 114

Ferrules—page 113

Mating/Panel Mounting—page 43

Cable Clamps—pages 137, 138, 140-142, 145, 146, 149, 150

Mating Hardware—pages 151-155, 158, 160

Technical Documents:

Application Specification—114-10001

Product Specification—108-1268

Instruction Sheets—408-9381

Note: Instruction Sheets for AMP Tooling are packaged with the tooling. For additional information call the Tooling Assistance Center: **1-800-722-1111**.

Shell Size	No. of Contact Positions	Dimensions			Part Numbers			
		A	B	C	With Grounding Indents		With Clinch Nuts	
					Plug	Receptacle	Plug	Receptacle
1	15	1.213 30.81	.984 24.99	.494 12.55	748364-1	787695-1	748565-1	748696-1
2	26	1.541 39.14	1.312 33.33	.494 12.55	748365-1	749717-1	748566-1	788816-1
3	44	2.088 53.84	1.852 47.04	.494 12.55	748366-1	—	748567-1	786583-1
4	62	2.729 69.32	2.500 63.50	.494 12.55	748367-1	1658293-1	748568-1	—
5	78	2.635 66.93	2.406 61.11	.605 15.37	748368-1	—	748569-1	788817-1

Note: Plugs accept size 22 DF pin contacts and receptacles accept size 22 DF socket contacts.