



FCIconnect.com

Copyright FCI.

List of "SFW\_\_R-5/6STZE1LF" customer document

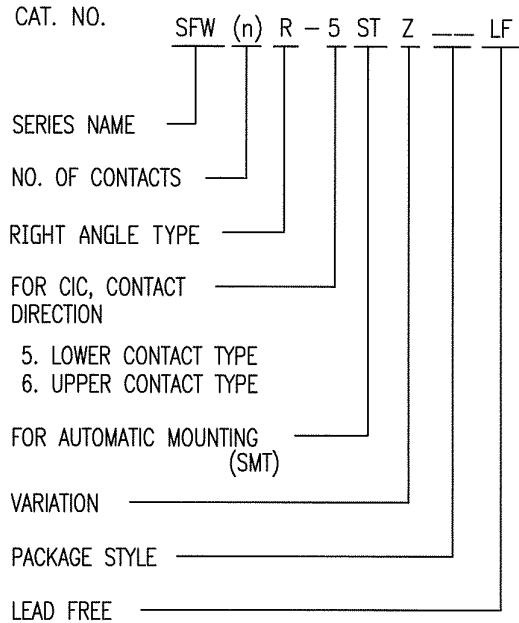
DOCUMENT NO.	LIST
SC-SFW12	SPEC.
JSA97270	CAT.NO.TABLE FOR 1mm SPACING SMT CONNECTOR (SFW__R-5/6STZ__LF)
JSA97271	1mm SPACING SMT CONNECTOR (SFW__R-5STZ__LF)
JSA97272	1mm SPACING SMT CONNECTOR (SFW__R-6STZ__LF)
JSA97273	CAT.NO.TABLE FOR PLASTIC TAPE PACKAGED 1mm SPACING SMT CONNECTOR (SFW__R-5/6STZE1LF)
JSA97274	PLASTIC TAPE PACKAGED 1mm SPACING SMT CONNECTOR (SFW__R-5STZE1LF)
JSA97275	PLASTIC TAPE PACKAGED 1mm SPACING SMT CONNECTOR (SFW__R-6STZE1LF)
JSA91675	RECOMMENDED CABLE (CIC) (SFW__R-5/6ST__)

mat'l. code		surface ISO 1302 <input checked="" type="checkbox"/>		tolerance ISO 406 ISO 1101		projection 		product family 58RF		CODE JP	
ltr	ecn no	dr	date	tolerances, unless otherwise specified				title			
A	J07-0086	H.T	2/5/07	angles linear				1mm SPACING CIC CONNECTOR DOCUMENT LIST (Cat. No. : SFW__R-5/6STZE1LF)			
sheet index		revision sheet		dr		engr		chr		app	
		A		2/5/07		2/5/07		2/7/07		2/7/07	
sheet index		revision sheet		A		1		type		Product Customer Drawing	
		1								Rev A	

form: A4

CAT. NO. & DIMENSIONS

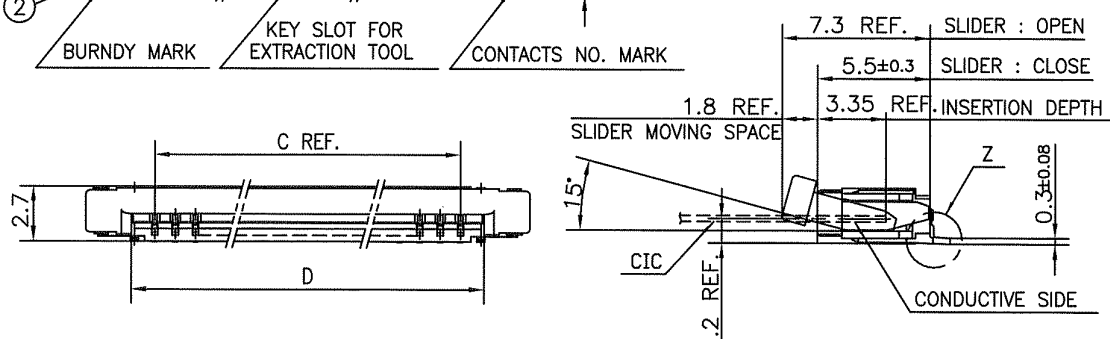
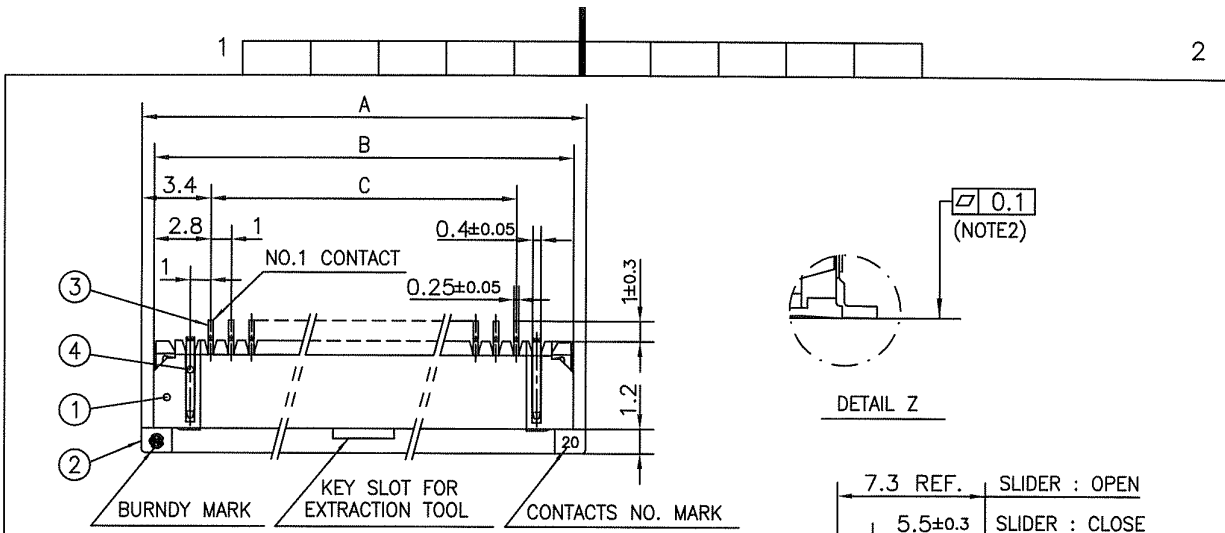
NO. OF CONTACTS (n)	CAT. NO.	DIMENSIONS (NOTE2)			
		A ± 0.2	B ± 0.2	C ± 0.2	D ± 0.1
4	SFW4R-5/6STZ__LF	9.8	8.6	3.0	5.3
5	SFW5R-5/6STZ__LF	10.8	9.6	4.0	6.3
6	SFW6R-5/6STZ__LF	11.8	10.6	5.0	7.3
7	SFW7R-5/6STZ__LF	12.8	11.6	6.0	8.3
8	SFW8R-5/6STZ__LF	13.8	12.6	7.0	9.3
9	SFW9R-5/6STZ__LF	14.8	13.6	8.0	10.3
10	SFW10R-5/6STZ__LF	15.8	14.6	9.0	11.3
11	SFW11R-5/6STZ__LF	16.8	15.6	10.0	12.3
12	SFW12R-5/6STZ__LF	17.8	16.6	11.0	13.3
13	SFW13R-5/6STZ__LF	18.8	17.6	12.0	14.3
14	SFW14R-5/6STZ__LF	19.8	18.6	13.0	15.3
15	SFW15R-5/6STZ__LF	20.8	19.6	14.0	16.3
16	SFW16R-5/6STZ__LF	21.8	20.6	15.0	17.3
17	SFW17R-5/6STZ__LF	22.8	21.6	16.0	18.3
18	SFW18R-5/6STZ__LF	23.8	22.6	17.0	19.3
19	SFW19R-5/6STZ__LF	24.8	23.6	18.0	20.3
20	SFW20R-5/6STZ__LF	25.8	24.6	19.0	21.3
21	SFW21R-5/6STZ__LF	26.8	25.6	20.0	22.3
22	SFW22R-5/6STZ__LF	27.8	26.6	21.0	23.3
23	SFW23R-5/6STZ__LF	28.8	27.6	22.0	24.3
24	SFW24R-5/6STZ__LF	29.8	28.6	23.0	25.3
25	SFW25R-5/6STZ__LF	30.8	29.6	24.0	26.3
26	SFW26R-5/6STZ__LF	31.8	30.6	25.0	27.3
27	SFW27R-5/6STZ__LF	32.8	31.6	26.0	28.3
28	SFW28R-5/6STZ__LF	33.8	32.6	27.0	29.3
29	SFW29R-5/6STZ__LF	34.8	33.6	28.0	30.3
30	SFW30R-5/6STZ__LF	35.8	34.6	29.0	31.3



NOTES

1. THIS PRODUCT IS THE CONNECTOR USED FOR CIC AND COPES WITH AUTOMATIC MOUNTING (SMT).
2. SEE PART DRAWINGS FOR DIMENSIONS A~D.

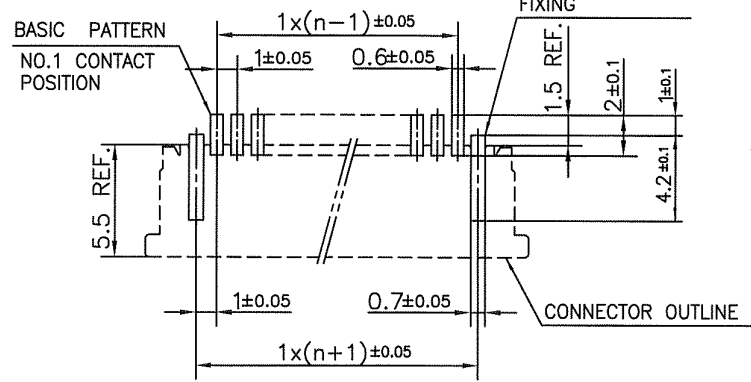
mat'l. code				surface ISO 1302 ✓	tolerance ISO 406 ISO 1101	projection 	product family 58RF	CODE JP
ltr	ecn no	dr	date	tolerances, unless otherwise specified		mm 	title CAT. NO. TABLE FOR 1mm SPACING SMT CONNECTOR (CAT.NO. SFW__R-5/6STZ__LF)	
A	J07-0086	H.T.	2/5/07	angles	linear		scale $\propto$	dwg no JSA 97270
				dr	<i>H. Shoybi</i> 2/8/07		type Product Customer Drawing	
				enr	<i>H. Shoybi</i> 2/5/07		Rev. A	
				chr	<i>R. Shoybi</i> 2/7/07			
				appd	<i>S. Anderson</i> 2/7/07			
sheet index	revision	A	sheet	1				



PT. NO.	PARTS NAME	MATERIAL	Q'TY	NOTE
1	HOUSING	PPS RESIN GLASS REINFORCED (UL94V-0)	1	COLOR:BROWN
2	SLIDER		1	COLOR:BEIGE
3	CONTACT	PHOSPHOR BRONZE	n	PLATING:THIN TIN
4	MOUNTING PLATE		2	PLATING:TIN

n : NO. OF CONTACTS

RECOMMENDED PC BOARD LAYOUT (COMPONENT SIDE)

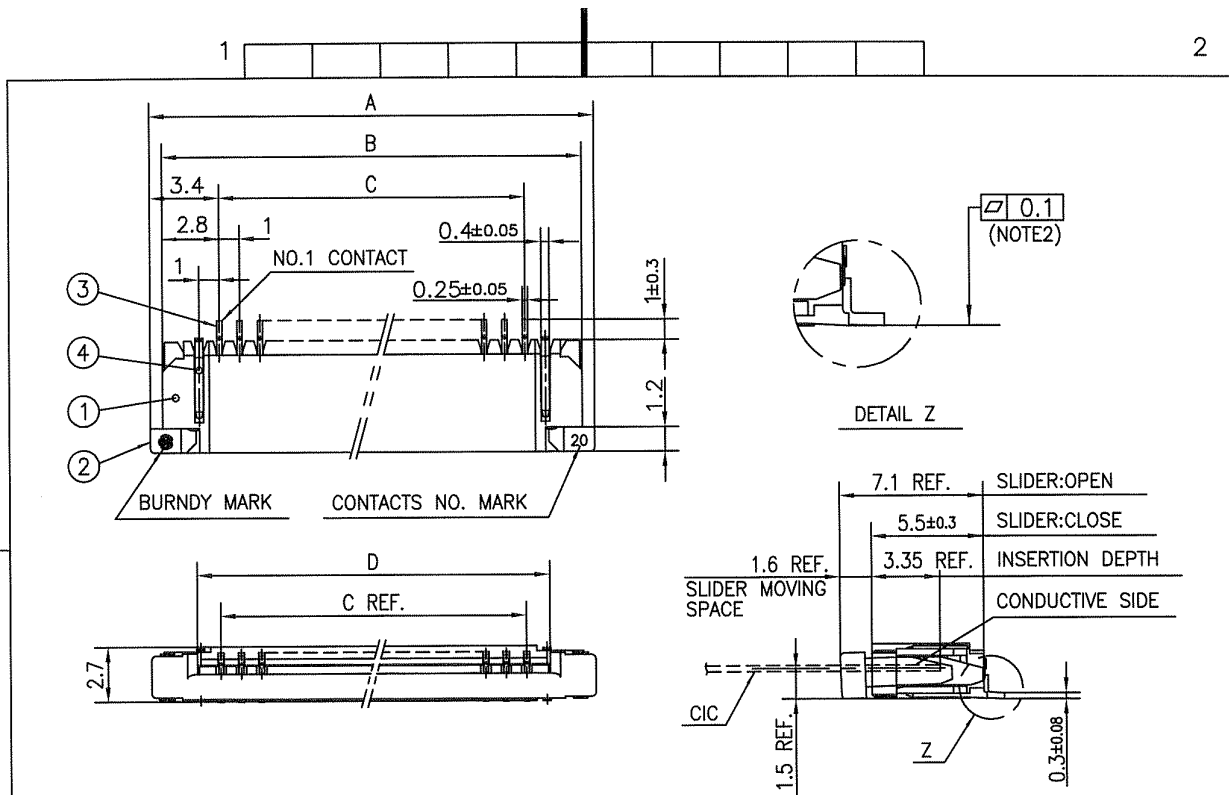


NOTES

1. THIS PRODUCT IS THE CONNECTOR USED FOR CIC AND COPES WITH AUTOMATIC MOUNTING (SMT).
2. FLATNESS FOR CONTACT TERMINAL HOUSING MUST BE WITHIN TOLERANCE IN Z PORTION DETAILED DRAWING.
3. THIS PRODUCT IS LOWER CONTACT TYPE CONNECTOR.
4. THIS PRODUCT MEETS EUROPEAN UNION DIRECTIVES AND OTHER COUNTRY REGULATIONS AS DESCRIBED IN GS-22-008
5. THE HOUSING WILL WITHSTAND EXPOSURE TO 260°C PEAK TEMPERATURE FOR 10 SECONDS IN A REFLOW SOLDERING OVEN.

mat'l. code		surface ISO 1302 ✓		tolerance ISO 406 ISO 1101		projection		product family 58RF		CODE JP	
ltr	ecn no	dr	date	tolerances, unless otherwise specified		mm		title			
A	J07-0086	H.T	2/5/07	±0.2		mm		1mm SPACING SMT CONNECTOR (Cat. No. SFW__R-5STZ__LF)			
sheet index		revision sheet		dr		scale		dwg no		sheet 1 of 1 size	
SC-SFW12 form: A4		JSA97270		engr		A4		JSA 97271		A4	
		1		chr		FCJ		type		Product Customer Drawing	
				app						Rev. A	

SC-SFW12 form: A4 JSA97270



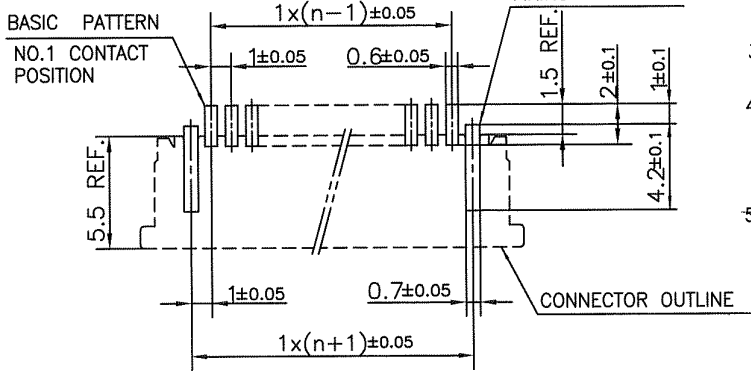
PT. NO.	PARTS NAME	MATERIAL	Q'TY	NOTE
1	HOUSING	PPS RESIN GLASS REINFORCED (UL94V-0)	1	COLOR: BROWN
2	SLIDER	PPS RESIN GLASS REINFORCED (UL94V-0)	1	COLOR: BEIGE
3	CONTACT	PHOSPHOR BRONZE	n	PLATING: THIN TIN
4	MOUNTING PLATE		2	PLATING: TIN

n : NO. OF CONTACTS

NOTES

1. THIS PRODUCT IS THE CONNECTOR USED FOR CIC AND COPES WITH AUTOMATIC MOUNTING (SMT).
2. FLATNESS FOR CONTACT TERMINAL HOUSING MUST BE WITHIN TOLERANCE IN Z PORTION DETAILED DRAWING.
3. THIS PRODUCT IS UPPER CONTACT TYPE CONNECTOR.
4. THIS PRODUCT MEETS EUROPEAN UNION DIRECTIVES AND OTHER COUNTRY REGULATIONS AS DISCRIBED IN GS-22-008
5. THE HOUSING WILL WITHSTAND EXPOSURE TO 260°C PEAK TEMPERATURE FOR 10 SECONDS IN A REFLOW SOLDERING OVEN.

RECOMMENDED PC BOARD LAYOUT (COMPONENT SIDE)

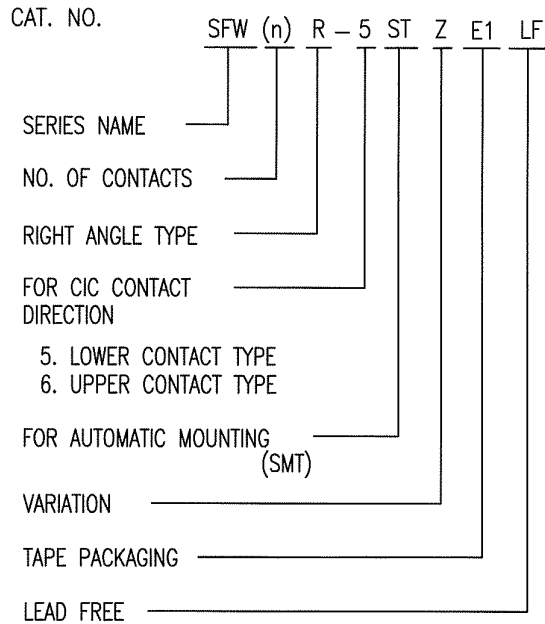


mat'l. code		surface ISO 1302 ✓		tolerance ISO 406 ISO 1101		projection		product family 58RF		CODE JP	
ltr	ecn no	dr	date	tolerances unless otherwise specified		mm		title 1mm SPACING SMT CONNECTOR (Cat. No. SFW__R-6STZ__LF)			
A	J07-0086	H.T	2/5/07	angles	linear						
sheet index		revision A		dr		scale X		dwg no		sheet 1 of 1 size	
sheet 1		sheet 1		enr		FCI		JSA 97272		A4	
SC-SFW12 form: A4		JSA97270		chr				type		Product Customer Drawing	
				appd						Rev. A	

SC-SFW12 form: A4 JSA97270

CAT. NO. & DIMENSIONS

NO. OF CONTACTS (n)	CAT. NO. (NOTE2)	DIMENSIONS (NOTE3)		
		E ± 5	F ± 0.3	G ± 0.1
4	SFW4R-5/6STZE1LF	20.4	16	—
5	SFW5R-5/6STZE1LF	28.4	24	—
6	SFW6R-5/6STZE1LF	28.4	24	—
7	SFW7R-5/6STZE1LF	28.4	24	—
8	SFW8R-5/6STZE1LF	28.4	24	—
9	SFW9R-5/6STZE1LF	28.4	24	—
10	SFW10R-5/6STZE1LF	28.4	24	—
11	SFW11R-5/6STZE1LF	28.4	24	—
12	SFW12R-5/6STZE1LF	28.4	24	—
13	SFW13R-5/6STZE1LF	36.4	32	28.4
14	SFW14R-5/6STZE1LF	36.4	32	28.4
15	SFW15R-5/6STZE1LF	36.4	32	28.4
16	SFW16R-5/6STZE1LF	36.4	32	28.4
17	SFW17R-5/6STZE1LF	48.4	44	40.4
18	SFW18R-5/6STZE1LF	48.4	44	40.4
19	SFW19R-5/6STZE1LF	48.4	44	40.4
20	SFW20R-5/6STZE1LF	48.4	44	40.4
21	SFW21R-5/6STZE1LF	48.4	44	40.4
22	SFW22R-5/6STZE1LF	48.4	44	40.4
23	SFW23R-5/6STZE1LF	48.4	44	40.4
24	SFW24R-5/6STZE1LF	48.4	44	40.4
25	SFW25R-5/6STZE1LF	48.4	44	40.4
26	SFW26R-5/6STZE1LF	48.4	44	40.4
27	SFW27R-5/6STZE1LF	48.4	44	40.4
28	SFW28R-5/6STZE1LF	60.4	56	52.4
29	SFW29R-5/6STZE1LF	60.4	56	52.4
30	SFW30R-5/6STZE1LF	60.4	56	52.4



NOTES

1. THIS PRODUCT IS THE CONNECTOR USED FOR CIC AND COPES WITH AUTOMATIC MOUNTING (SMT).
2. THIS CATALOG NO. INDICATES PLASTIC TAPE PACKAGED CONNECTOR.
3. SEE PART DRAWINGS FOR DIMENSIONS E~G.

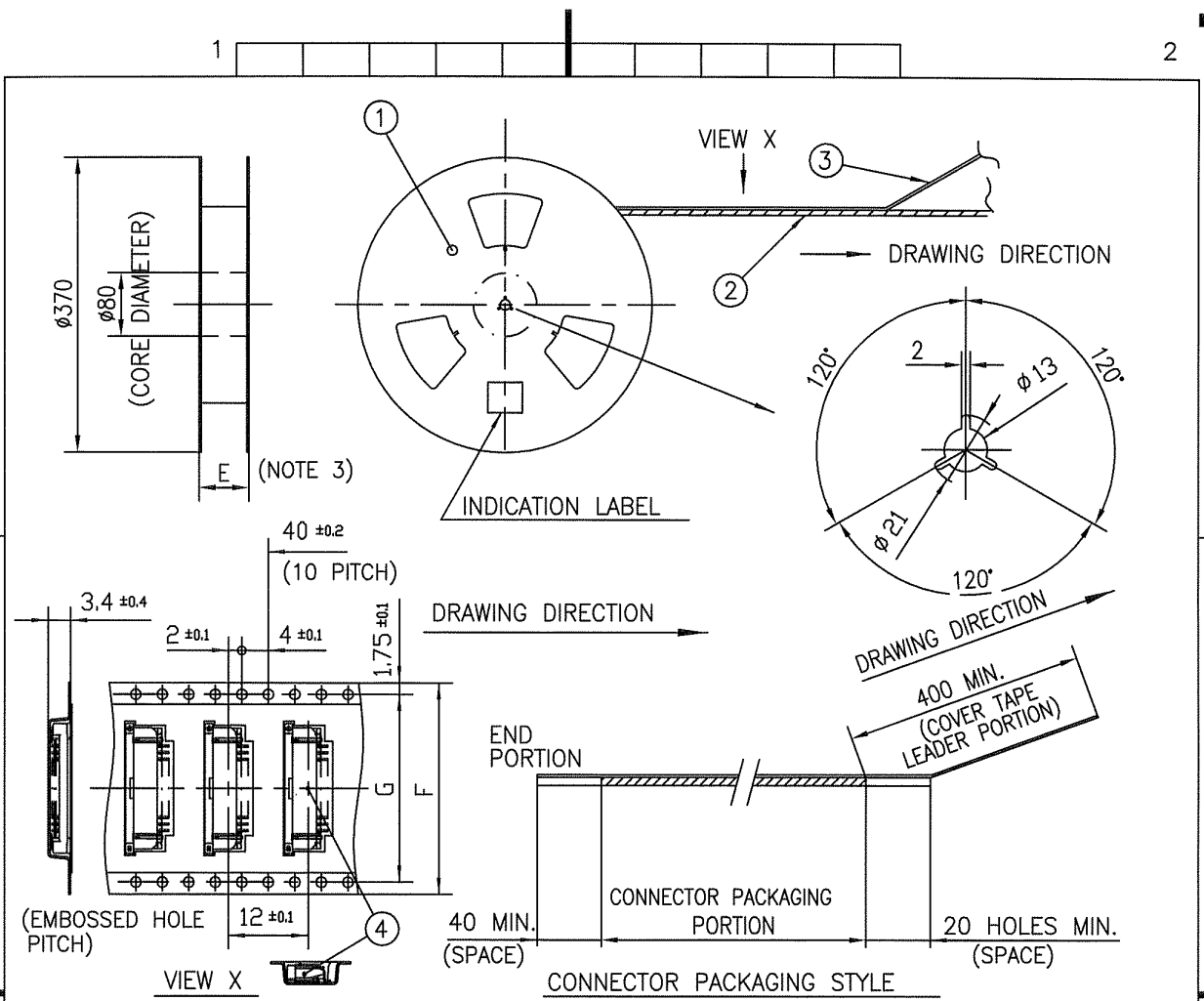
mat'l. code				surface ISO 1302 ✓	tolerance ISO 406 ISO 1101	projection 	product family 58RF	CODE JP	
ltr	ecn no	dr	date	tolerances unless otherwise specified		mm 	title CAT. NO. TABLE FOR PLASTIC TAPE PACKAGED 1mm SPACING SMT CONNECTOR (CAT.NO. SFW__R-5/6STZE1LF)		
A	J07-0086	H.T.	2/5/07	angles	linear		scale $\times$	dwg no JSA 97273	sheet 1 of 1 size A4
				dr	<i>H. Kishimoto</i> 2/5/07		type Product Customer Drawing		
				enr	<i>H. Kishimoto</i> 2/5/07				
				chr	<i>R. Shoyji</i> 2/5/07				
				appd	<i>S. Oshida</i> 2/7/07				
sheet index	revision	A						Rev. A	
	sheet	1							

SC-SFW12 form: A4 JSA97270 97274 97275



FCIconnect.com

Copyright FCI.



PT. NO.	PARTS NAME	CAT. NO.	MATERIAL	Q'TY	NOTE
1	REEL	—	CARDBOARD	1	COLOR:WHITE
2	PLASTIC (EMBOSS) TAPE	—	PET	—	COLOR:TRANSPARENCY
3	COVER	—	POLYESTER	—	COLOR:TRANSPARENCY
4	CONNECTOR	SFW__R-5STZ__LF	SEE ATTACHED DWG	2000	LOWER CONTACT TYPE

NOTES

- THIS IS PLASTIC TAPE PACKAGED CONNECTOR USED FOR CIC AND COPEs WITH AUTOMATIC MOUNTING (SMT).
- SEE JIS C 0806 (PACKING OF ELECTRONIC COMPONENTS ON CONTINUOUS TAPES (SURFACE MOUNTING DEVICES)) FOR SHAPE AND DIMENSIONS OF PLASTIC (EMBOSS) TAPE AND REEL.
- E DIMENSION IS PORTION OF THE CORE.

mat'l. code				surface ISO 1302 ✓ tolerances unless otherwise specified		tolerance ISO 408 ISO 1101		projection		product family 58RF		CODE JP
ltr	ecn no	dr	date	angles		linear		mm		title		
A	J07-0086	H.T.	2/5/07	±5'				scale X		PLASTIC TAPE PACKAGED 1mm SPACING SMT CONNECTOR (CAT. NO. SFW__R-5STZE1LF)		
				dr	2/5/07				dwg no		sheet 1 of 1	size
				enr	2/5/07				JSA 97274		A4	
				chr	2/1/07				type		Product Customer Drawing	
				appd	2/7/07							
sheet index		revision	A									Rev
		sheet	1									A

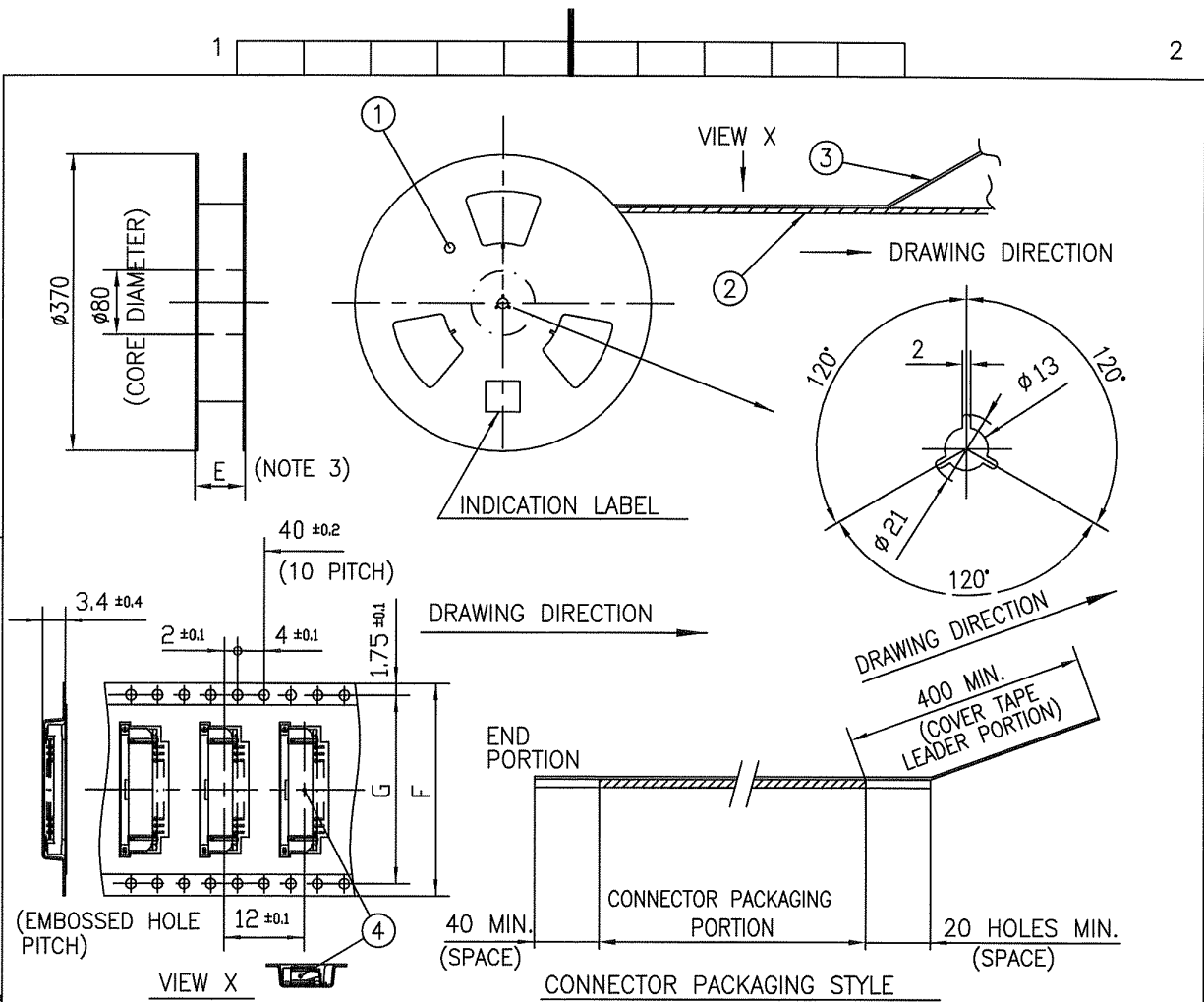
SC-SFW12 JSA97273 form: A4



FCIconnect.com

Copyright FCI.





PT. NO.	PARTS NAME	CAT. NO.	MATERIAL	Q'TY	NOTE
1	REEL	_____	CARDBOARD	1	COLOR:WHITE
2	PLASTIC (EMBOSS) TAPE	_____	PET	_____	COLOR:TRANSPARENCY
3	COVER	_____	POLYESTER	_____	COLOR:TRANSPARENCY
4	CONNECTOR	SFW__R-6STZ__LF	SEE ATTACHED DWG	2000	UPPER CONTACT TYPE

- NOTES
- THIS IS PLASTIC TAPE PACKAGED CONNECTOR USED FOR CIC AND COPES WITH AUTOMATIC MOUNTING (SMT).
  - SEE JIS C 0806 (PACKING OF ELECTRONIC COMPONENTS ON CONTINUOUS TAPES (SURFACE MOUNTING DEVICES)) FOR SHAPE AND DIMENSIONS OF PLASTIC (EMBOSS) TAPE AND REEL.
  - E DIMENSION IS PORTION OF THE CORE.

mat'l. code		surface ISO 1302 ✓	tolerance ISO 406 ISO 1101	projection	product family 58RF	CODE JP
ltr	ecn no	dr	date	tolerances unless otherwise specified	title	
A	J07-0086	H.T.	2/5/07	±5	PLASTIC TAPE PACKAGED 1mm SPACING SMT CONNECTOR (CAT.NO. SFW__R-6STZE1LF)	
				angles linear	mm	
				±5'	scale X	
		dr	engr	chr	dwg no	sheet 1 of 1 size
					JSA 97275	A4
		appd			type Product Customer Drawing	
sheet index	revision	A				Rev. A
	sheet	1				

SC-SFW12 JSA97273 form: A4



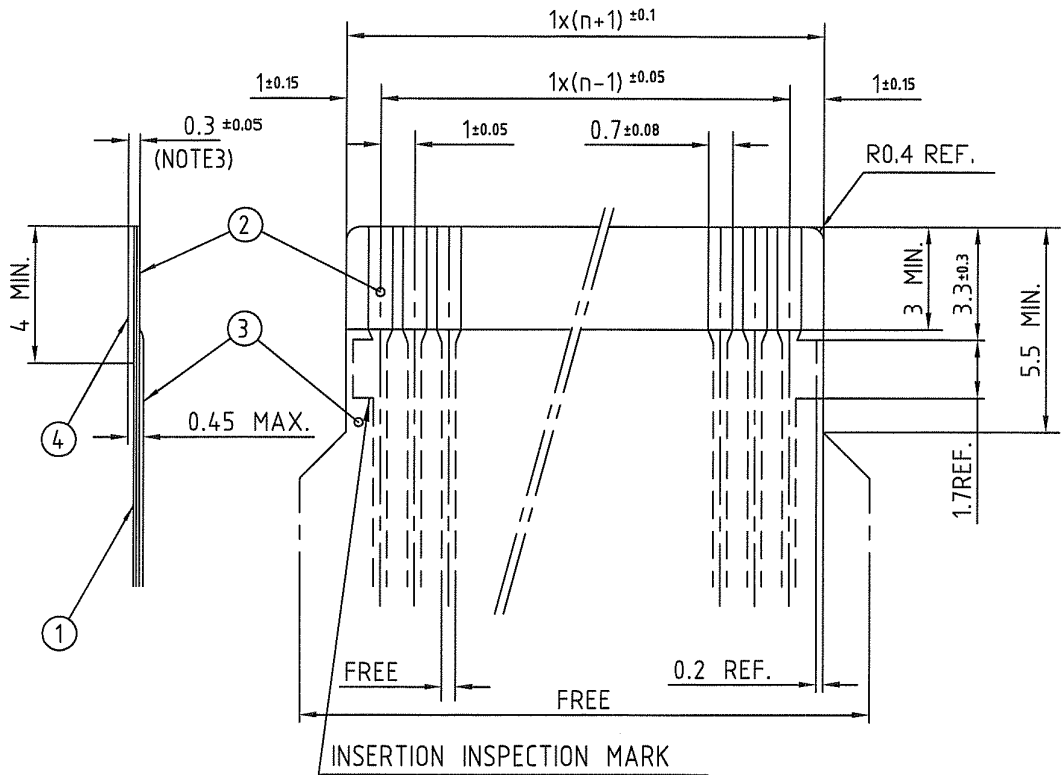
FCIconnect.com

Copyright FCI.



RECOMMENDED CABLE (CIC)

n: NO. OF CONDUCTOR



PT. NO.	PARTS NAME	MATERIAL	THICKNESS (um)	
1	BASE FILM	POLYESTER OR EQUAL	75	25
2	CONDUCTOR	CARBON PASTE OVER SILVER PASTE	10 MIN.	
3	OVERLAY	POLYIMIDE OR POLYESTER OR EQUAL	—	
4	SUPPORTING TAPE	POLYESTER OR POLYIMIDE OR EQUAL	188	250

- NOTES
1. NO BURR AT EACH PORTION.
  2. NO PEELING IN COMMON USE.
  3. TOTAL THICKNESS LIMIT OF EACH MATERIAL (INCLUDING ADHESIVE AGENT) IS SPECIFIED.

mat'l. code		surface 58 / tolerance ISO 1302 / ISO 406 / ISO 1101		projection		product family 58RF		CODE JP	
ltr		ecn no		dr		date		tolerances unless otherwise specified	
1		—		—		4/12/93		angles	
AA		J05-0055		H.T.		2/4/05		Linear	
AB		J06-0398		H.T.		9/26/06		mm	
AC		J09-0363		M.Y.		2009-10-8		scale X	
				dr		H.YAHASHITA 2009-10-8			
				enrg		M.YAHASHITA 2009-10-8			
				chr		S. Nishida 2009-10-8			
				appd		S. Oshida 2009-10-8			
sheet index		revision sheet		AC		1		title RECOMMENDED CABLE (Cat. No. SFW_R-5/6_)	
								dwg no JSA 91675	
								sheet 1 of 1 size A4	
								type Product Customer Drawing	
								Rev. AC	

form: A4

1

2