

List of "SFW__R-3/4STE5LF" customer document

DOCUMENT NO.	LIST
10102592(SHEET1)	DOCUMENT LIST
10102592(SHEET2)	CAT. NO. TABLE FOR 1mm SPACING SMT CONNECTOR (SFW__R-3/4ST__LF)
10102592(SHEET3)	1mm SPACING SMT CONNECTOR (SFW__R-3ST__LF)
10102592(SHEET4)	1mm SPACING SMT CONNECTOR (SFW__R-4ST__LF)
10102592(SHEET5)	CAT. NO. TABLE FOR PLASTIC TAPE PACKAGED 1mm SPACING SMT CONNECTOR (SFW__R-3/4STE5LF)
10102592(SHEET6)	PLASTIC TAPE PACKAGED 1mm SPACING SMT CONNECTOR (SFW__R-3STE5LF)
10102592(SHEET7)	PLASTIC TAPE PACKAGED 1mm SPACING SMT CONNECTOR (SFW__R-4STE5LF)
10102592(SHEET8)	RECOMMENDED CABLE (FPC) (SFW__R-3/4ST__)
10102592(SHEET9)	RECOMMENDED CABLE (FFC) (SFW__R-3/4ST__)
SC-SFW11	PRODUCT SPECIFICATION
GS-20-130	HANDLING PROCEDURES



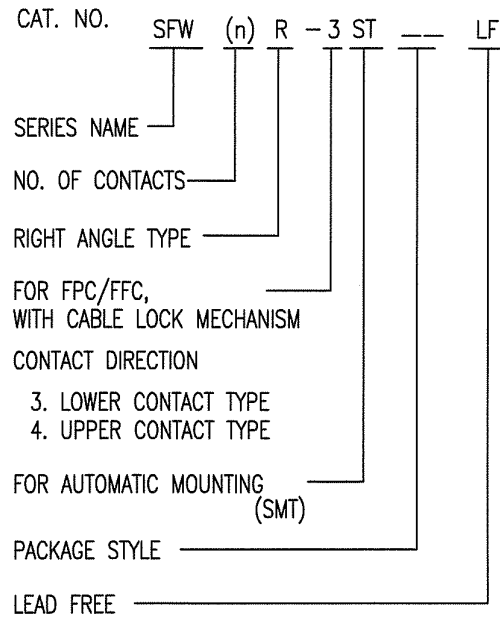
FCIconnect.com

Copyright FCI.

mat'l. code				surface 58 ISO 1302 <input checked="" type="checkbox"/>		tolerance ISO 406 ISO 1101		projection 		product family 58RF		CODE JP
ltr	ecn no	dr	date	tolerances unless otherwise specified				mm		title 1mm SPACING SMT CONNECTOR DOCUMENT LIST (Cat. No. : SFW__R-3/4STE5LF)		
A	S09-0194	DGOH	09-06-08	angles	linear			scale \times		dwg no 10102592		sheet 1 of 9 size A4
B	J09-0380	M.Y	2009-10-27							type Product Customer Drawing		
sheet index		revision sheet	B	B	B	B	B	B	B	B	B	Rev. B
			1	2	3	4	5	6	7	8	9	

CAT. NO. & DIMENSIONS

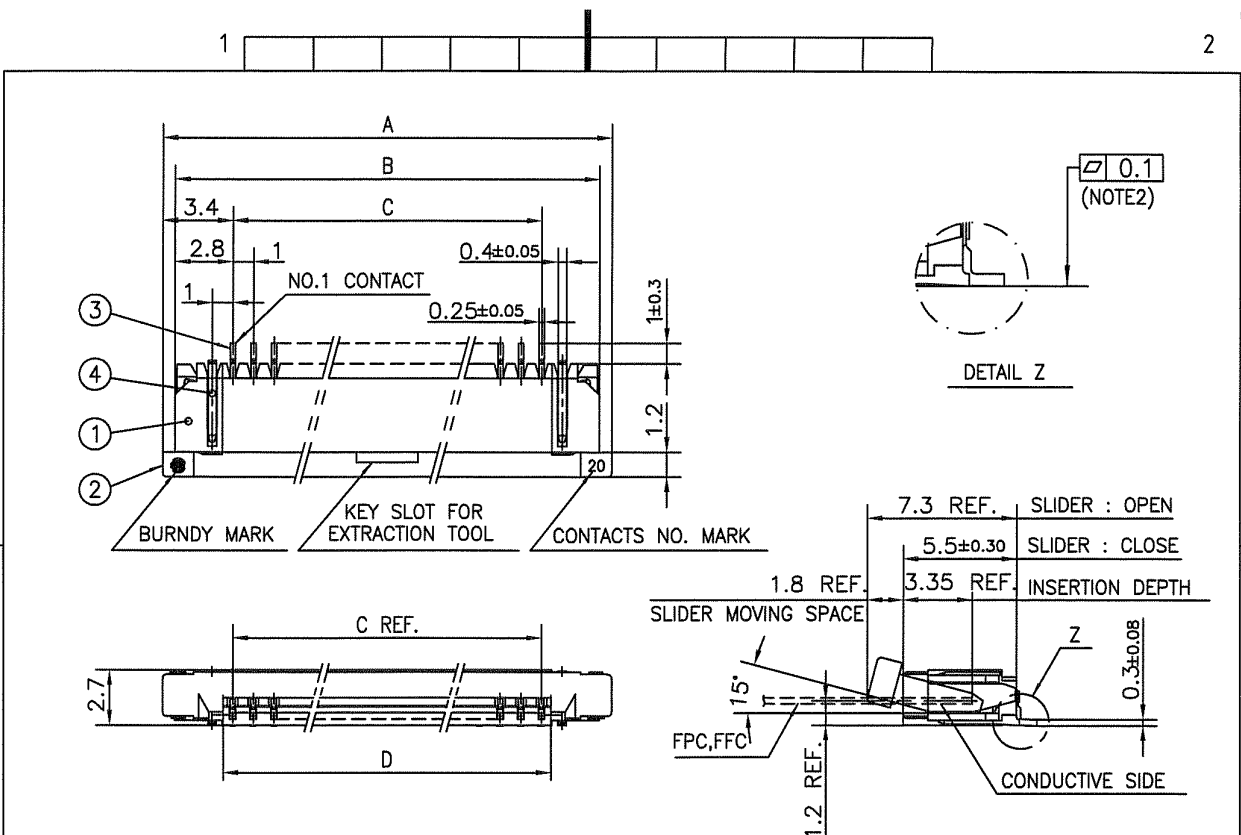
NO. OF CONTACTS (n)	CAT. NO.	DIMENSIONS (NOTE2)			
		A ± 0.2	B ± 0.2	C ± 0.2	D ± 0.1
4	SFW4R-3/4ST__LF	9.8	8.6	3.0	3.92
5	SFW5R-3/4ST__LF	10.8	9.6	4.0	4.92
6	SFW6R-3/4ST__LF	11.8	10.6	5.0	5.92
7	SFW7R-3/4ST__LF	12.8	11.6	6.0	6.92
8	SFW8R-3/4ST__LF	13.8	12.6	7.0	7.92
9	SFW9R-3/4ST__LF	14.8	13.6	8.0	8.92
10	SFW10R-3/4ST__LF	15.8	14.6	9.0	9.92
11	SFW11R-3/4ST__LF	16.8	15.6	10.0	10.92
12	SFW12R-3/4ST__LF	17.8	16.6	11.0	11.92
13	SFW13R-3/4ST__LF	18.8	17.6	12.0	12.92
14	SFW14R-3/4ST__LF	19.8	18.6	13.0	13.92
15	SFW15R-3/4ST__LF	20.8	19.6	14.0	14.92
16	SFW16R-3/4ST__LF	21.8	20.6	15.0	15.92
17	SFW17R-3/4ST__LF	22.8	21.6	16.0	16.92
18	SFW18R-3/4ST__LF	23.8	22.6	17.0	17.92
19	SFW19R-3/4ST__LF	24.8	23.6	18.0	18.92
20	SFW20R-3/4ST__LF	25.8	24.6	19.0	19.92
21	SFW21R-3/4ST__LF	26.8	25.6	20.0	20.92
22	SFW22R-3/4ST__LF	27.8	26.6	21.0	21.92
23	SFW23R-3/4ST__LF	28.8	27.6	22.0	22.92
24	SFW24R-3/4ST__LF	29.8	28.6	23.0	23.92
25	SFW25R-3/4ST__LF	30.8	29.6	24.0	24.92
26	SFW26R-3/4ST__LF	31.8	30.6	25.0	25.92
27	SFW27R-3/4ST__LF	32.8	31.6	26.0	26.92
28	SFW28R-3/4ST__LF	33.8	32.6	27.0	27.92
29	SFW29R-3/4ST__LF	34.8	33.6	28.0	28.92
30	SFW30R-3/4ST__LF	35.8	34.6	29.0	29.92



NOTES

1. THIS PRODUCT IS THE CONNECTOR USED FOR FPC/FFC AND COPE WITH AUTOMATIC MOUNTING (SMT).
2. SEE PART DRAWINGS FOR DIMENSIONS A~D.
3. THIS PRODUCT IS THE CONNECTOR WITH CABLE LOCK MECHANISM.

mat'l. code				surface 58 / ISO 1302		tolerance ISO 406 / ISO 1101		projection		product family 58RF		CODE JP	
ltr				ecn no		dr		date		title		CAT NO. TABLE FOR	
B										1mm SPACING SMT CONNECTOR		(Cat. No. SFW__R-3/4ST__LF)	
				angles		linear		mm		scale		X	
				dr		H.YAHARA		2009-10-27		FCI		dwg no 10102592	
				enr		H.YAHARA		2009-10-27		sheet 2 of 9		size A4	
				chr		S. Watabe		2009-10-27		type Product Customer Drawing			
				appd		S. Andron		2009-10-27					
sheet index		revision sheet										Rev. B	



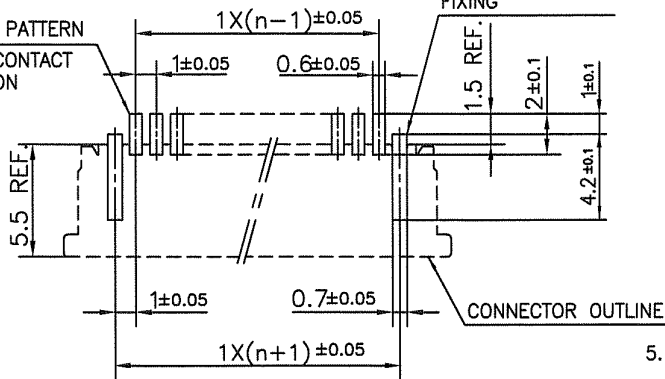
PT. NO.	PARTS NAME	MATERIAL	Q'TY	NOTE
1	HOUSING	PPS RESIN GLASS REINFORCED (UL94V-0)	1	COLOR : BLACK
2	SLIDER	PPS RESIN GLASS REINFORCED (UL94V-0)	1	COLOR : BROWN
3	CONTACT	PHOSPHOR BRONZE	n	PLATING : TIN
4	MOUNTING PLATE		2	

n : NO. OF CONTACTS

RECOMMENDED PC BOARD LAYOUT
(COMPONENT SIDE)

BASIC PATTERN

NO.1 CONTACT POSITION



NOTES

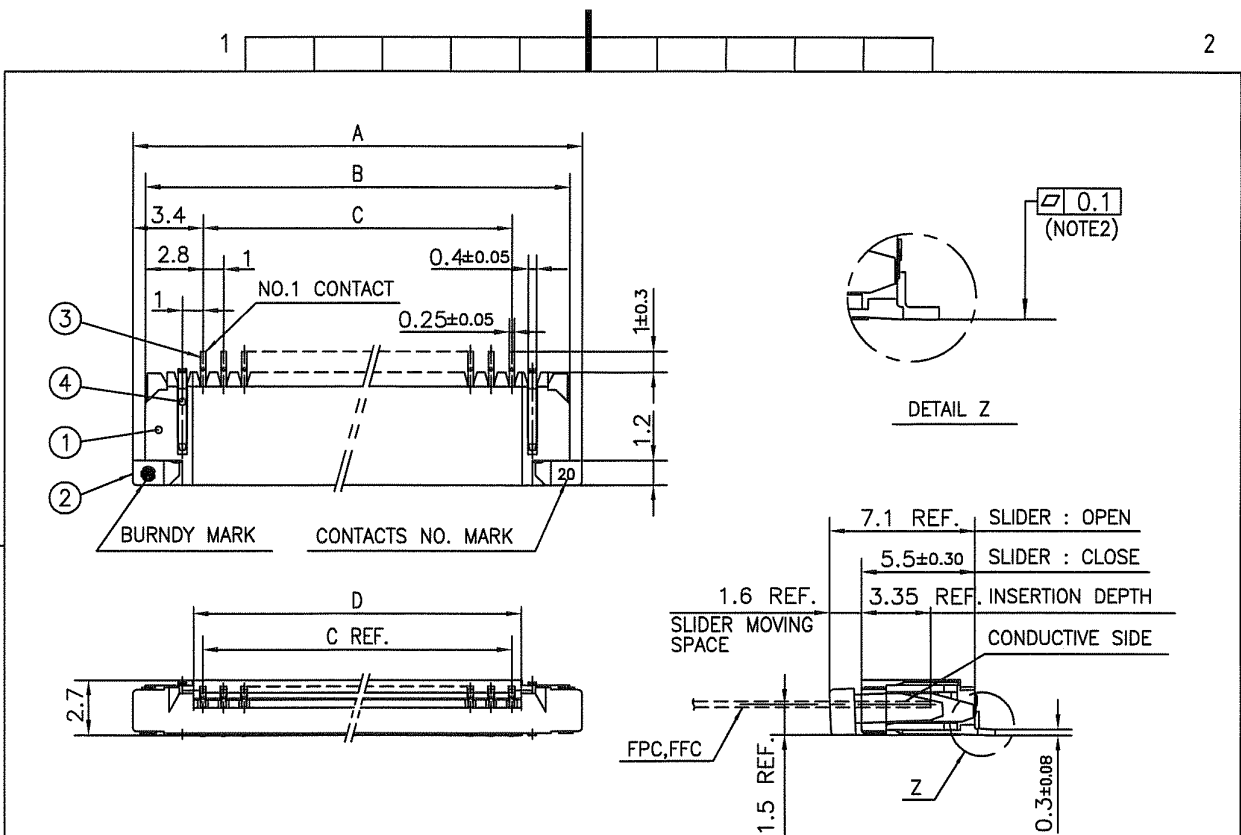
1. THIS PRODUCT IS THE CONNECTOR USED FOR FPC/FFC AND COPES WITH AUTOMATIC MOUNTING (SMT).
2. FLATNESS FOR CONTACT TERMINAL HOUSING MUST BE WITHIN TOLERANCE IN Z PORTION DETAILED DRAWING.
3. THIS PRODUCT IS LOWER CONTACT TYPE CONNECTOR WITH CABLE LOCK MECHANISM.
4. THIS PRODUCT MEETS EUROPEAN UNION DIRECTIVES AND OTHER COUNTRY REGULATIONS AS DESCRIBED IN GS-22-008
5. THE HOUSING WILL WITHSTAND EXPOSURE TO 260°C PEAK TEMPERATURE FOR 10 SECONDS IN A REFLOW SOLDERING OVEN.

mat'l. code		surface 58 / tolerance ISO 1302 ✓ ISO 406 ISO 1101		projection		product family 58RF		CODE JP			
ltr	ecn no	dr	date	tolerances unless otherwise specified		title					
B				angles	±0.2	1mm SPACING SMT CONNECTOR (Cat. No. SFW__R-3ST__LF)					
				linear		mm					
						scale X					
		dr	H. Yamashita	2009-10-27	FCJ		dwg no		sheet 3 of 9	size	
		enr	H. Yamashita	2009-10-27			10102592		A4		
		chr	S. W. K.	2009-10-27			type Product Customer Drawing				
		appd	J. Nakamura	2009-10-27							
sheet index	revision sheet									Rev. B	

form: A4

1

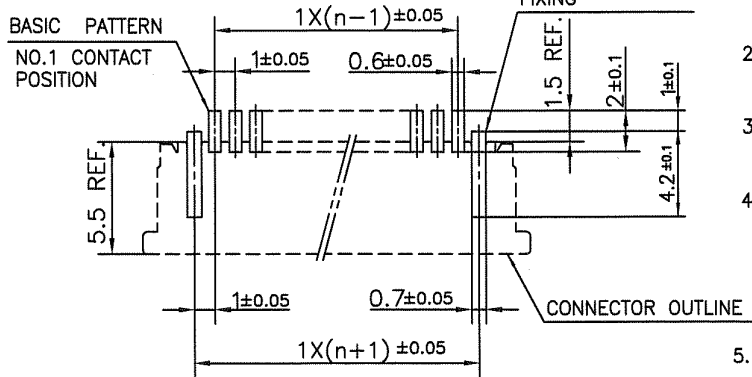
2



PT. NO.	PARTS NAME	MATERIAL	Q'TY	NOTE
1	HOUSING	PPS RESIN GLASS REINFORCED (UL94V-0)	1	COLOR : BLACK
2	SLIDER	PPS RESIN GLASS REINFORCED (UL94V-0)	1	COLOR : BROWN
3	CONTACT	PHOSPHOR BRONZE	n	PLATING : TIN
4	MOUNTING PLATE		2	

n : NO. OF CONTACTS

RECOMMENDED PC BOARD LAYOUT
(COMPONENT SIDE)



NOTES

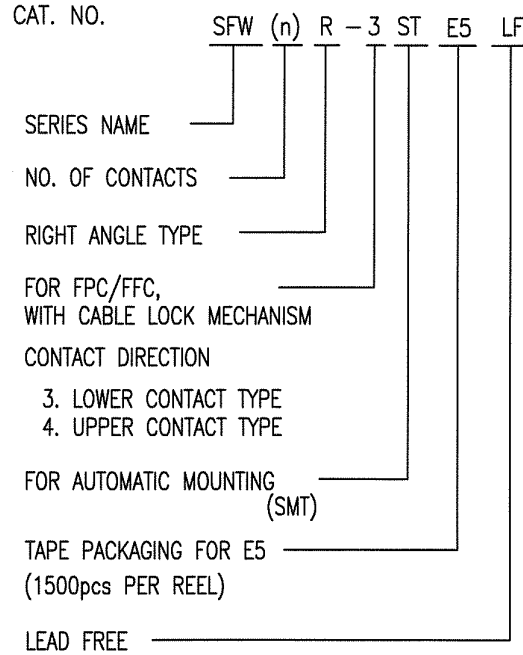
1. THIS PRODUCT IS THE CONNECTOR USED FOR FPC/FFC AND COPES WITH AUTOMATIC MOUNTING (SMT).
2. FLATNESS FOR CONTACT TERMINAL HOUSING MUST BE WITHIN TOLERANCE IN Z PORTION DETAILED DRAWING.
3. THIS PRODUCT IS UPPER CONTACT TYPE CONNECTOR WITH CABLE LOCK MECHANISM.
4. THIS PRODUCT MEETS EUROPEAN UNION DIRECTIVES AND OTHER COUNTRY REGULATIONS AS DESCRIBED IN GS-22-008
5. THE HOUSING WILL WITHSTAND EXPOSURE TO 260°C PEAK TEMPERATURE FOR 10 SECONDS IN A REFLOW SOLDERING OVEN.

mat'l. code		surface 58 / tolerance ISO 1302 ✓ ISO 406 ISO 1101		projection		product family 58RF		CODE JP	
ltr ecn no dr date		tolerances unless otherwise specified		mm		title			
B		angles linear ±0.2		mm		1mm SPACING SMT CONNECTOR (Cat. No. SFW__R-4ST__LF)			
		dr M. Yamashita 2009-10-27		scale		dwg no		sheet 4 of 9 size	
		engr M. Yamashita 2009-10-27		FCJ		10102592		A4	
		chr S. Watanabe 2009-10-27		type Product Customer Drawing					
sheet index		revision sheet		Rev. B					

form: A4

CAT. NO. & DIMENSIONS

NO. OF CONTACTS (n)	CAT. NO. (NOTE2)	DIMENSIONS (NOTE3)		
		E MAX.	F ± 0.3	G ± 0.1
4	SFW4R-3/4STE5LF	22.4	16	—
5	SFW5R-3/4STE5LF	30.4	24	—
6	SFW6R-3/4STE5LF	30.4	24	—
7	SFW7R-3/4STE5LF	30.4	24	—
8	SFW8R-3/4STE5LF	30.4	24	—
9	SFW9R-3/4STE5LF	30.4	24	—
10	SFW10R-3/4STE5LF	30.4	24	—
11	SFW11R-3/4STE5LF	30.4	24	—
12	SFW12R-3/4STE5LF	30.4	24	—
13	SFW13R-3/4STE5LF	38.4	32	28.4
14	SFW14R-3/4STE5LF	38.4	32	28.4
15	SFW15R-3/4STE5LF	38.4	32	28.4
16	SFW16R-3/4STE5LF	38.4	32	28.4
17	SFW17R-3/4STE5LF	50.4	44	40.4
18	SFW18R-3/4STE5LF	50.4	44	40.4
19	SFW19R-3/4STE5LF	50.4	44	40.4
20	SFW20R-3/4STE5LF	50.4	44	40.4
21	SFW21R-3/4STE5LF	50.4	44	40.4
22	SFW22R-3/4STE5LF	50.4	44	40.4
23	SFW23R-3/4STE5LF	50.4	44	40.4
24	SFW24R-3/4STE5LF	50.4	44	40.4
25	SFW25R-3/4STE5LF	50.4	44	40.4
26	SFW26R-3/4STE5LF	50.4	44	40.4
27	SFW27R-3/4STE5LF	50.4	44	40.4
28	SFW28R-3/4STE5LF	62.4	56	52.4
29	SFW29R-3/4STE5LF	62.4	56	52.4
30	SFW30R-3/4STE5LF	62.4	56	52.4



NOTES

1. THIS PRODUCT IS THE CONNECTOR USED FOR FPC/FFC AND CYPES WITH AUTOMATIC MOUNTING (SMT).
2. THIS CATALOG NO. INDICATES PLASTIC TAPE PACKAGED CONNECTOR.
3. SEE PART DRAWINGS FOR DIMENSIONS E~G.
4. THIS PRODUCT IS THE CONNECTOR WITH CABLE LOCK MECHANISM.

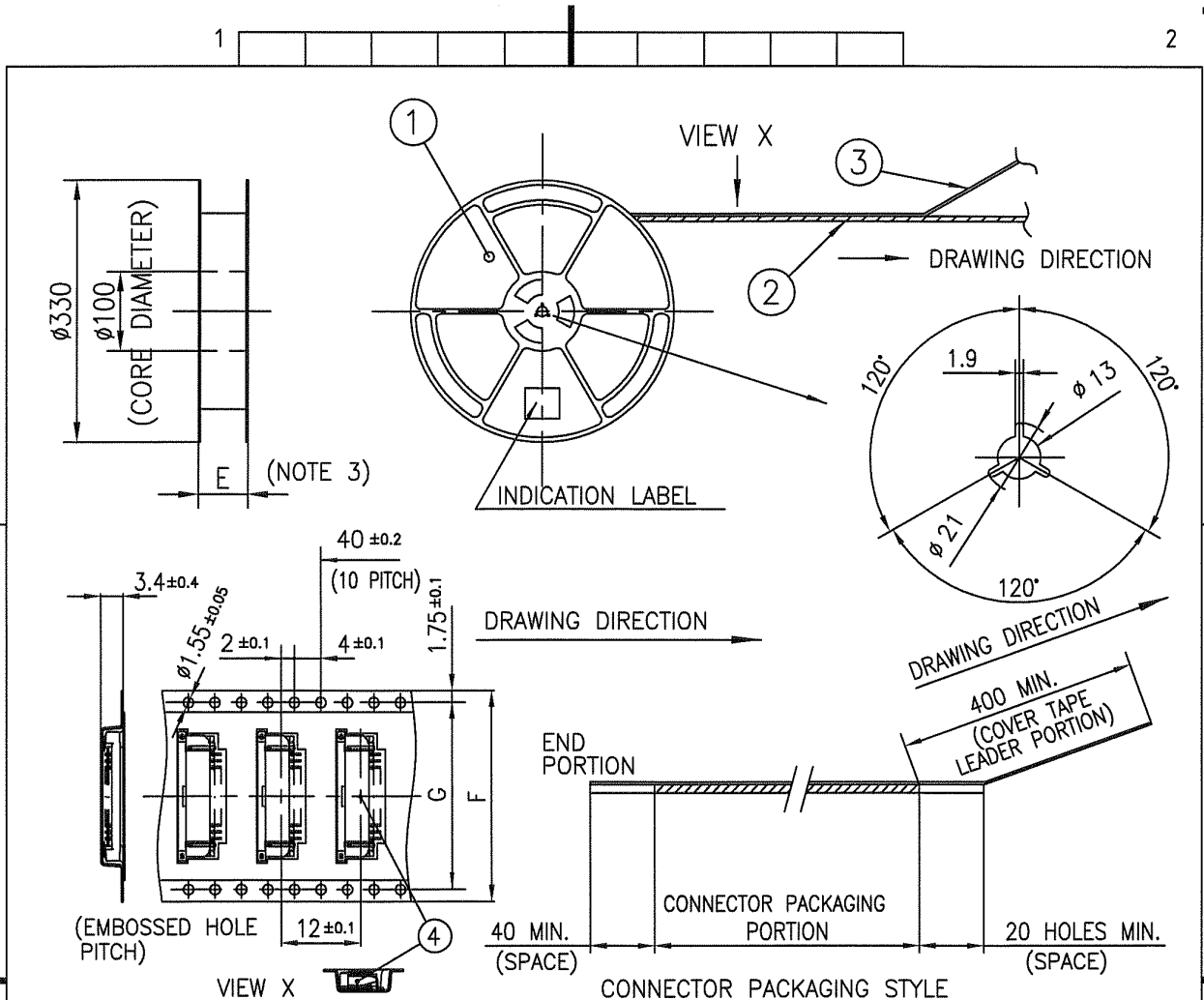
mat'l. code		surface 58 / tolerance ISO 1302 / ISO 406 / ISO 1101		projection		product family 58RF		CODE JP	
ltr	ecn no	dr	date	tolerances unless otherwise specified		title		CAT NO. TABLE FOR PLASTIC TAPE PACKAGED 1mm SPACING SMT CONNECTOR (Cat. No. SFW__R-3/4STE5LF)	
B				angles	linear	mm		scale X	
		dr	2009-10-27	M.YAMASAKI		dwg no		sheet 5 of 9	size
		enr	2009-10-27	M.YAMASAKI		10102592		A4	
		chr	2009-10-27	S. Withler		type		Product Customer Drawing	
		appd	2008-10-27	S. Andaman					
sheet index	revision sheet								Rev. B



FCIconnect.com

Copyright FCI.





PT. NO.	PARTS NAME	CAT. NO.	MATERIAL	Q'TY	NOTE
1	REEL	_____	POLYSTYRENE	1	COLOR : WHITE/BLACK
2	PLASTIC (EMBOSS) TAPE	_____	PET	_____	COLOR : TRANSPARENCY (CLEAR)
3	COVER	_____	POLYESTER	_____	COLOR : TRANSPARENCY (CLEAR)
4	CONNECTOR	SFW__R-3ST__LF	SEE ATTACHED DWG.	1500	LOWER CONTACT TYPE

NOTES

- THIS IS PLASTIC TAPE PACKAGED CONNECTOR WITH CABLE LOCK MECHANISM USED FOR FPC/FFC AND COPEs WITH AUTOMATIC MOUNTING (SMT).
- SEE JIS C 0806 (PACKING OF ELECTRONIC COMPONENTS ON CONTINUOUS TAPES (SURFACE MOUNTING DEVICES)) FOR SHAPE AND DIMENSIONS OF PLASTIC (EMBOSS) TAPE AND REEL.
- E DIMENSION IS PORTION OF THE CORE.

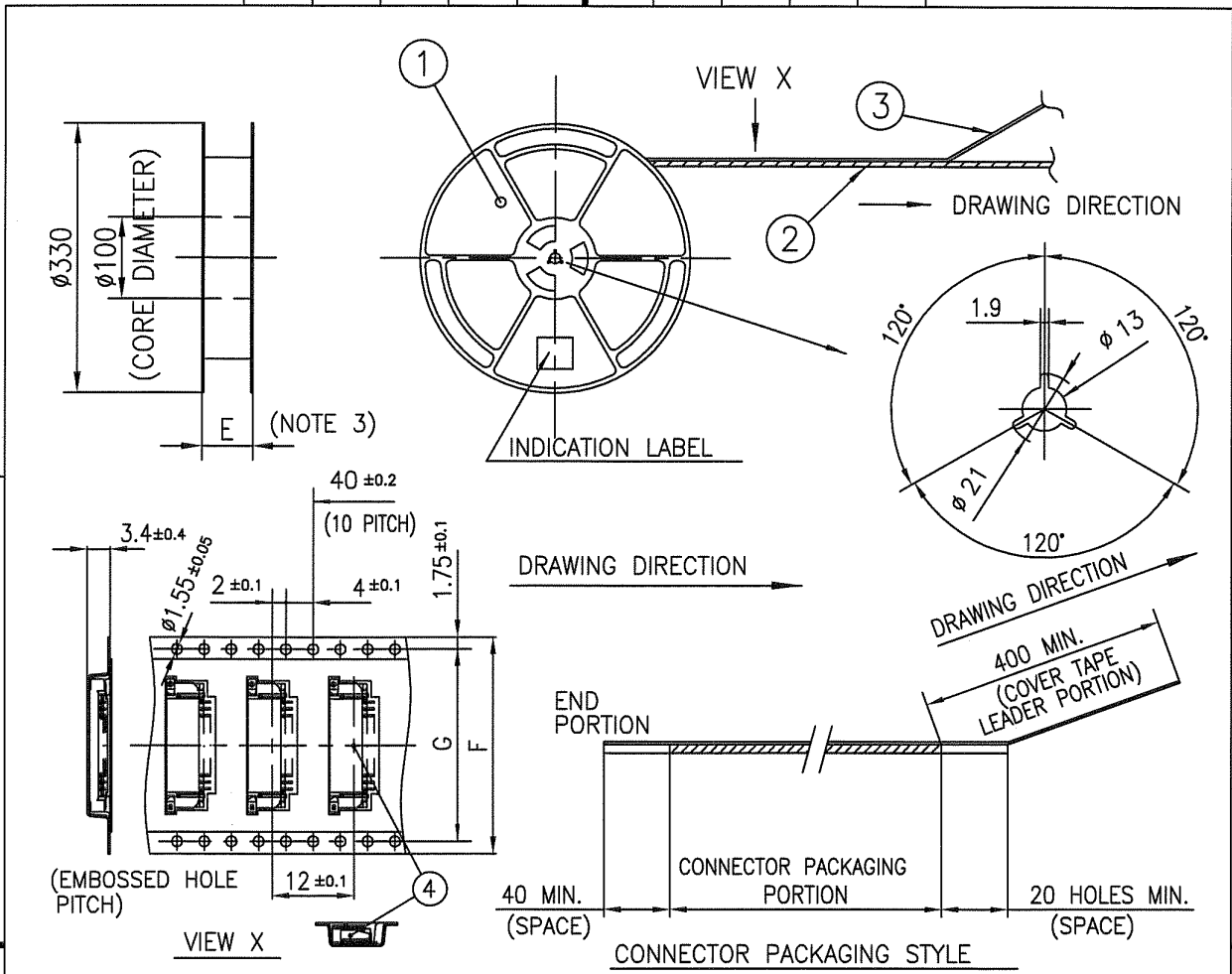
mat'l. code		surface ISO 1302 ✓		tolerance ISO 406 ISO 1101		projection		product family 58RF		CODE JP	
ltr ecn no dr date		tolerances unless otherwise specified		±5		mm		title PLASTIC TAPE PACKAGED 1mm SPACING SMT CONNECTOR (Cat. No. SFW__R-3STE5LF)			
B		angles linear		±5°		scale		dwg no 10102592		sheet 6 of 9 size A4	
		dr M. YAMASAKI 2009-10-27		enr M. YAMASAKI 2009-10-27		chr S. Watanabe 2009-10-27		appd S. Ducloux 2009-10-27		type Product Customer Drawing	
sheet index		revision sheet								Rev. B	

form: A4

FCI
FCIconnect.com

Copyright FCI.





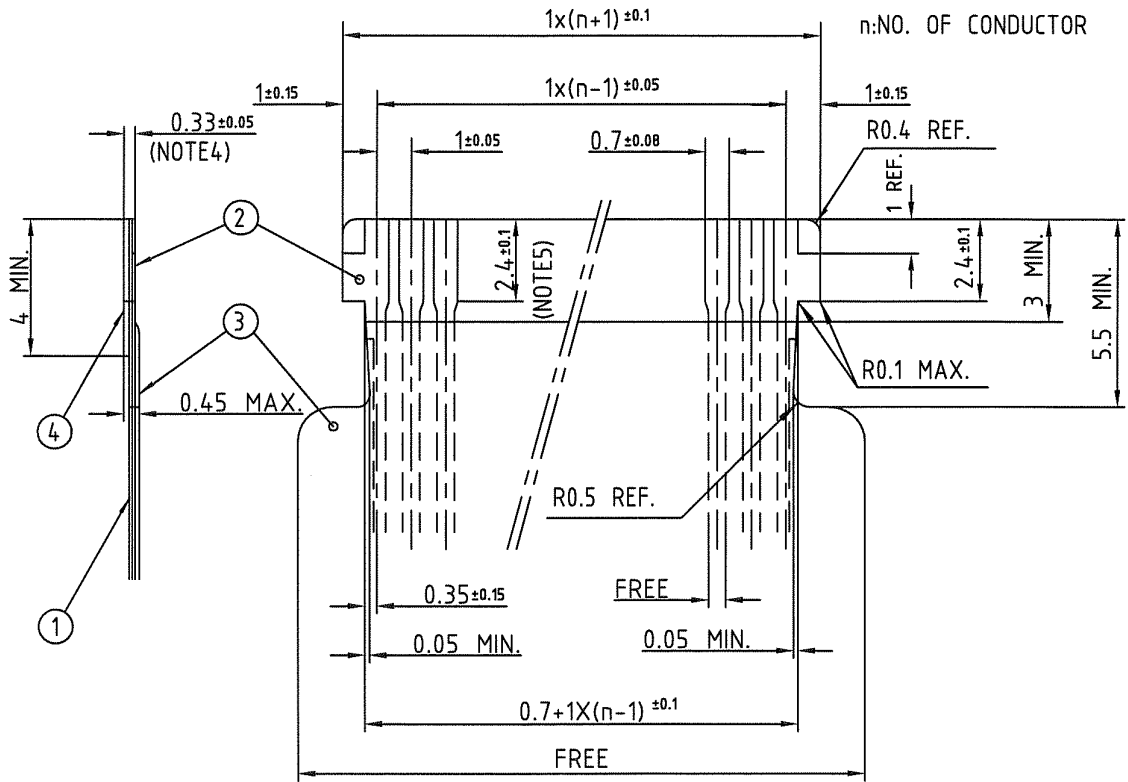
PT. NO.	PARTS NAME	CAT. NO.	MATERIAL	Q'TY	NOTE
1	REEL	_____	POLYSTYRENE	1	COLOR : WHITE/BLACK
2	PLASTIC (EMBOSS) TAPE	_____	PET	_____	COLOR : TRANSPARENCY (CLEAR)
3	COVER	_____	POLYESTER	_____	COLOR : TRANSPARENCY (CLEAR)
4	CONNECTOR	SFW__R-4ST__LF	SEE ATTACHED DWG.	1500	UPPER CONTACT TYPE

- NOTES
- THIS IS PLASTIC TAPE PACKAGED CONNECTOR WITH CABLE LOCK MECHANISM USED FOR FPC/FPC AND COPES WITH AUTOMATIC MOUNTING (SMT).
 - SEE JIS C 0806 (PACKING OF ELECTRONIC COMPONENTS ON CONTINUOUS TAPES (SURFACE MOUNTING DEVICES)) FOR SHAPE AND DIMENSIONS OF PLASTIC (EMBOSS) TAPE AND REEL.
 - E DIMENSION IS PORTION OF THE CORE.

mat'l. code		surface ISO 1302 ✓		tolerance ISO 406 ISO 1101		projection		product family 58RF		CODE JP	
ltr	ecn no	dr	date	tolerances unless otherwise specified		mm		title PLASTIC TAPE PACKAGED 1mm SPACING SMT CONNECTOR (Cat. No. SFW__R-4STE5LF)			
B				angles	linear	mm		scale		size	
				±5°		mm		X		A4	
		dr	2007-10-27			FCJ		dwg no 10102592		sheet 7 of 9	
		enr	2009-10-27					type Product Customer Drawing			
		chr	2009-10-27								
		appd	2009-10-27								
sheet index	revision sheet										Rev. B

form: A4

RECOMMENDED CABLE (FPC)



PT. NO.	PARTS NAME	MATERIAL	THICKNESS (um)
1	BASE FILM	POLYIMIDE OR POLYESTER OR EQUAL	25
2	CONDUCTOR	COPPER FOIL(PLATING : SOLDER 1um MIN.)	35
3	OVERLAY	POLYIMIDE OR POLYESTER OR EQUAL	—
4	SUPPORTING TAPE	POLYESTER OR POLYIMIDE OR EQUAL	188

- NOTES
1. THIS DRAWING INDICATES THE FPC USED THE CONNECTOR WITH CABLE LOCK MECHANISM.
 2. NO BURR AT EACH PORTION.
 3. NO PEELING IN COMMON USE.
 4. TOTAL THICKNESS LIMIT OF EACH MATERIAL (INCLUDING ADHESIVE AGENT) IS SPECIFIED.
 5. THIS DIMENSION INDICATES THE RANGE FOR 0.7 ± 0.08 CONDUCTOR WIDTH.

mat'l. code		surface 58 / tolerance ISO 1302 / ISO 406 / ISO 1101		projection		product family 58RF		CODE JP	
ltr		ecn no		dr		date		tolerances unless otherwise specified	
B								title	
				angles		linear		mm	
								scale	
				dr		H. YAMASHITA 2009-10-27		dwg no	
				enr		M. YAMASHITA 2009-10-27		sheet 8 of 9	
				chr		S. YAMASHITA 2009-10-27		10102592	
				appd		S. Yamashita 2009-10-27		size A4	
sheet index		revision sheet						type Product Customer Drawing	
								Rev. B	

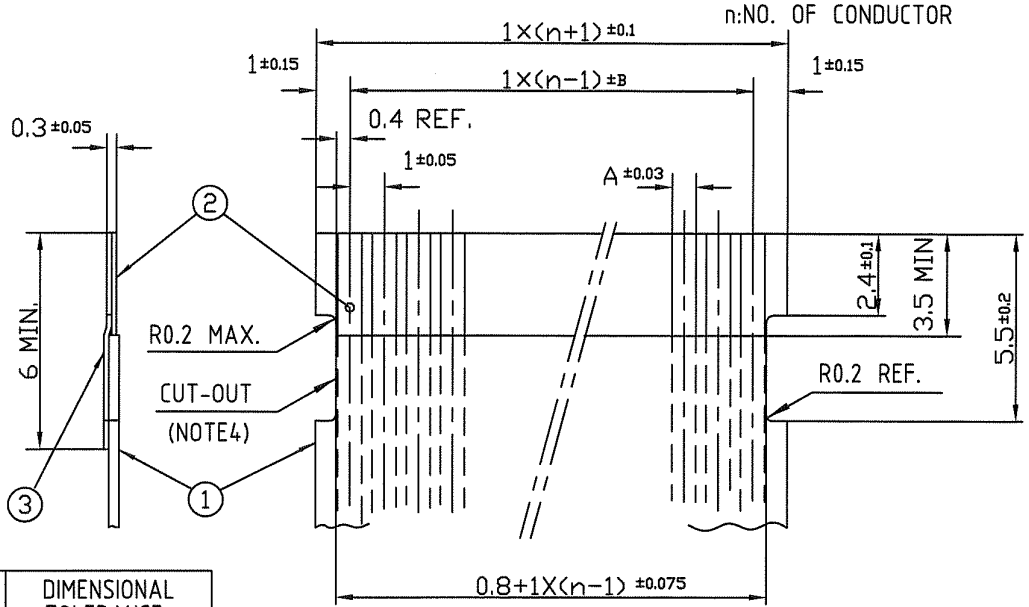


FCIconnect.com

Copyright FCI.



RECOMMENDED CABLE (FFC)



KIND OF FFC (NOTES)	DIMENSIONAL TOLERANCE	
	A	B
1	0.7	0.1
2	0.6	0.07

PT. NO.	PARTS NAME	MATERIAL	NOTE
1	INSULATOR	FLAME RESISTING POLYESTER OR EQUAL	_____
2	CONDUCTOR	COPPER FOIL	PLATING:TIN OR SOLDER 1um MIN.
3	SUPPORTING TAPE	FLAME RESISTING POLYESTER OR EQUAL	_____

- NOTES
1. THIS DRAWING INDICATES THE FFC USED THE CONNECTOR WITH CABLE LOCK MECHANISM.
 2. NO BURR AT EACH PORTION.
 3. NO PEELING IN COMMON USE.
 4. THERE IS A POSSIBILITY THAT THE CAT-OUT CROSSES THE CONDUCTOR BECAUSE OF DIMENSIONAL TOLERANCE.
 5. EITHER KIND1 OR KIND2 OF FFC CAN ACCEPT DIMENSIONAL TOLERANCE a AND b.

mat'l. code		surface 58 ISO 1302	tolerance ISO 406 ISO 1101	projection 	product family 58RF	CODE JP
ltr	ecn no	dr	date	tolerances unless otherwise specified	title RECOMMENDED CABLE (Cat. No. SFW_R-3/4_)	
B				angles linear	mm	
					scale	
		dr	M. YAMAMOTO 2008-10-27		dwg no	sheet 9 of 9 size
		enr	M. YAMAMOTO 2008-10-27		10102592	A4
		chr	S. Wada 2008-10-27			
		appd	J. Nishimura 2008-10-27			
sheet index	revision sheet				type Product Customer Drawing	
						Rev. B

form: A4

1

2



FCIconnect.com

Copyright FCI.

