

CONNECTOR ASSY

<P/N composition> <P/N 構成>

10051806 - 57 1 LF

- Lead free
鉛フリー品
- Contact point plating variation (1: Au plating)
接点部のボリエースティング(1: 金めっき)
- The number of contacts 接点数
- Series name
シリーズ名

PARTS TABLE 部品表

No.	Part name 部品名	Material 材質	Finish めっき	Note 備考
①	Housing ハウジング	Enter glass fiber thermoplastic resin ガラス繊維入り熱可塑性樹脂	---	色: 黒色, UL94V-0 Color: Black, UL94V-0
②	Actuator アクチュエーター	Enter glass fiber thermoplastic resin ガラス繊維入り熱可塑性樹脂	---	色: 黒色, UL94V-0 Color: Black, UL94V-0
③	Contact コンタクト	Copper Alloy 銅合金	Au plating (Nickel underplating) 金めっき (ニッケル下層めっき)	ニッケル下層あり With Ni dem on the contact
④	Fitting nail (Right side) 挿通金具 (右側)	Copper Alloy 銅合金	Tin alloy plating (Nickel underplating) スズ合金めっき (ニッケル下層めっき)	---
⑤	Fitting nail (Left side) 挿通金具 (左側)	Copper Alloy 銅合金	Tin alloy plating (Nickel underplating) スズ合金めっき (ニッケル下層めっき)	---

Au	YES	24.01	25.2	25.5	25.24	23.6	26	26.6	25.06	1	1	60	1	1	10051806-601LF
Au	YES	22.81	24	24.3	24.04	22.4	24.8	25.4	23.86	1	1	57	1	1	10051806-571LF
CONTACT PLATING	TOOLING AVAILABLE	"H"	"C"	"F"	"E"	"D"	"C"	"B"	"A"	⑤ FIXING TAB(L) QTY	④ FIXING TAB(R) QTY	③ CONTACT QTY	② ACTUATOR QTY	① HOUSING QTY	PRODUCT NO.

mat'l. code		surface		tolerance	projection	product family	CODE
---		ISO 1302		ISO 406	mm	588F FLEX 0.4 GLH-RD	JP
ltr description		ecn no	dr	date	tolerances unless	title	
A	RELEASED	J06-0057	N.S	5/12/06	otherwise specified	ASSEMBLY	
B	ADDED60P	J07-0475	N.S	2007-9-25	linear	0.4mm PITCH CONNECTOR FOR FPC	
				angles	0.XX ±0.3	GLH Series	
				±3'	0.XXX ±0.3	scale 10:1	
				dr	N.SASAME	2007-9-25	
				enrg	N.SASAME	2007-9-25	
				chr	K. Okamoto	2007.9.25	
				appd	M. Mori	9/26/07	
sheet index	revision sheet					type	Product Customer Drawing Rev. B

form: A3



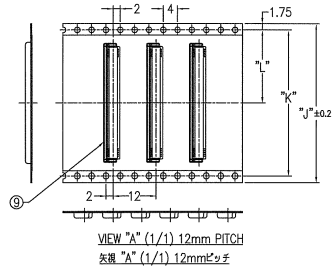
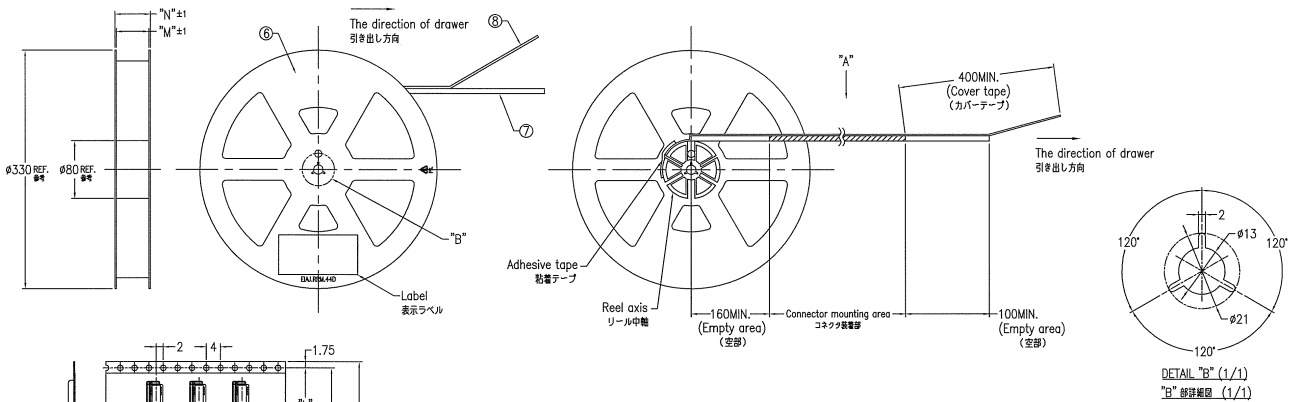
Copyright FCI



PRODUCT NO.	DIM "J"	DIM "K"	DIM "L"	DIM "M"	DIM "N"	CONTACT PLATING	Emboss QTY. (Emboss PITCH)	TOOLING AVAILABLE
10051806-571SELF	44	40.4	20.2	45.5	49.5	Au	3,000 (12mm)	YES
10051806-601SELF								YES

No.	Part name	Material	QTY.	Note
⑥	The reel for packaging	Polystyrene	1	Color : White, Electrification prevention processing
⑦	Emboss tape	PET	1	Electrification prevention processing
⑧	Cover tape	Polyester	1	
⑨	Connector	See sheet 1	3000	APPLIED FOR 8mm PITCH EMBOS TAPE

EMBOSS PACKAGE



<P/N composition> <P/N 構成>
10051806- 57 1 5E LF

- Lead free 鉛フリー品
- Packaging form (5E : 12mm emboss pitch, Plastic reel・Embossing tape package) 梱包形態 (5E : 12mmエンボスピッチ、プラスチックリール・エンボスタープ梱包)
- Refer to connector drawing (Sheet 2). コネクタ図面参照 (Sheet 2)

NOTE
4. This article carries out the emboss tape package of the 0.5mm pitch connector for FPC.
5. The shape and dimension of this article are based on JIS C 0806.
(Taping of electronic parts (Surface mounted device))

注意
4. 本品は 0.5mm ピッチ FPC 用コネクタをエンボスタープ梱包したものである。
5. 本品の形状及び寸法規定は JIS C 0806 (電子部品のテープング (表面実装部品)) に準拠する。

mat'l. code	surface	tolerance	projection	product family	CODE
---	ISO 1302	ISO 406	ISO 1101	588F FLEX 0.4 GLH-RD	JP
ltr description	ecn no	dr	date	tolerances unless otherwise specified	title
A RELEASED	J06-0057	N.S	5/12/06	0.X ±0.3	ASSEMBLY
B ADDED60P	J07-0475	N.S	2007-9-25	0.0XX ±0.3	0.4mm PITCH CONNECTOR FOR FPC
				±3'	GLH Series
				dr N.SASAME 2007-9-25	dwg no 10051806 sheet 3 of 3 size A3
				enr N.SASAME 2007-9-25	scale 10:1
				chr K. S. Sano 2007.9.25	FCJ
				app M. Ogiwara 9/26/07	type Product Customer Drawing
sheet index	revision sheet				Rev. B

form: A3