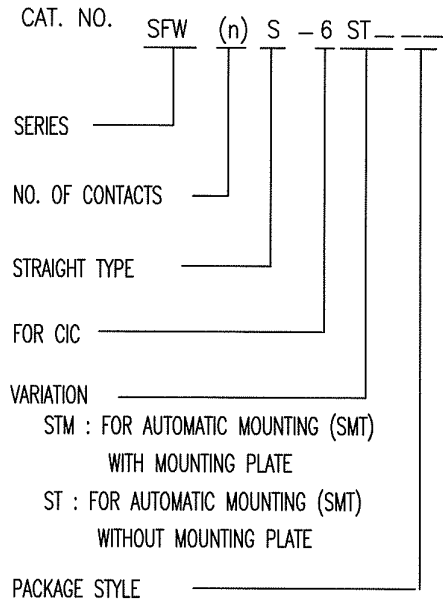


CAT. NO. & DIMENSIONS

| NOTE3 | NO. OF CONTACTS (n) | CAT. NO. | DIMENSIONS (NOTE2) | | |
|-------|---------------------|---------------|--------------------|--------|--------|
| | | | A ±0.2 | B ±0.2 | C ±0.2 |
| | 4 | SFW4S-6ST___ | 10.4 | 5.24 | 3 |
| | 5 | SFW5S-6ST___ | 11.4 | 6.24 | 4 |
| | 6 | SFW6S-6ST___ | 12.4 | 7.24 | 5 |
| * | 7 | SFW7S-6ST___ | 13.4 | 8.24 | 6 |
| | 8 | SFW8S-6ST___ | 14.4 | 9.24 | 7 |
| * | 9 | SFW9S-6ST___ | 15.4 | 10.24 | 8 |
| | 10 | SFW10S-6ST___ | 16.4 | 11.24 | 9 |
| | 11 | SFW11S-6ST___ | 17.4 | 12.24 | 10 |
| * | 12 | SFW12S-6ST___ | 18.4 | 13.24 | 11 |
| | 13 | SFW13S-6ST___ | 19.4 | 14.24 | 12 |
| | 14 | SFW14S-6ST___ | 20.4 | 15.24 | 13 |
| | 15 | SFW15S-6ST___ | 21.4 | 16.24 | 14 |
| | 16 | SFW16S-6ST___ | 22.4 | 17.24 | 15 |
| | 17 | SFW17S-6ST___ | 23.4 | 18.24 | 16 |
| * | 18 | SFW18S-6ST___ | 24.4 | 19.24 | 17 |
| * | 19 | SFW19S-6ST___ | 25.4 | 20.24 | 18 |
| | 20 | SFW20S-6ST___ | 26.4 | 21.24 | 19 |
| * | 21 | SFW21S-6ST___ | 27.4 | 22.24 | 20 |
| | 22 | SFW22S-6ST___ | 28.4 | 23.24 | 21 |
| | 23 | SFW23S-6ST___ | 29.4 | 24.24 | 22 |
| | 24 | SFW24S-6ST___ | 30.4 | 25.24 | 23 |
| * | 25 | SFW25S-6ST___ | 31.4 | 26.24 | 24 |
| | 26 | SFW26S-6ST___ | 32.4 | 27.24 | 25 |
| * | 27 | SFW27S-6ST___ | 33.4 | 28.24 | 26 |
| | 28 | SFW28S-6ST___ | 34.4 | 29.24 | 27 |
| | 29 | SFW29S-6ST___ | 35.4 | 30.24 | 28 |
| | 30 | SFW30S-6ST___ | 36.4 | 31.24 | 29 |
| * | 31 | SFW31S-6ST___ | 37.4 | 32.24 | 30 |
| * | 32 | SFW32S-6ST___ | 38.4 | 33.24 | 31 |



NOTES

1. THIS PRODUCT IS THE CONNECTOR, DESIGNED TO TERMINATE CIC AND COPES WITH AUTOMATIC MOUNTING (SMT).
2. SEE PART DRAWINGS FOR DIMENSIONS A.B.C.
3. PLEASE CONSULT US IN CASE OF USING PARTS WITH * MARK

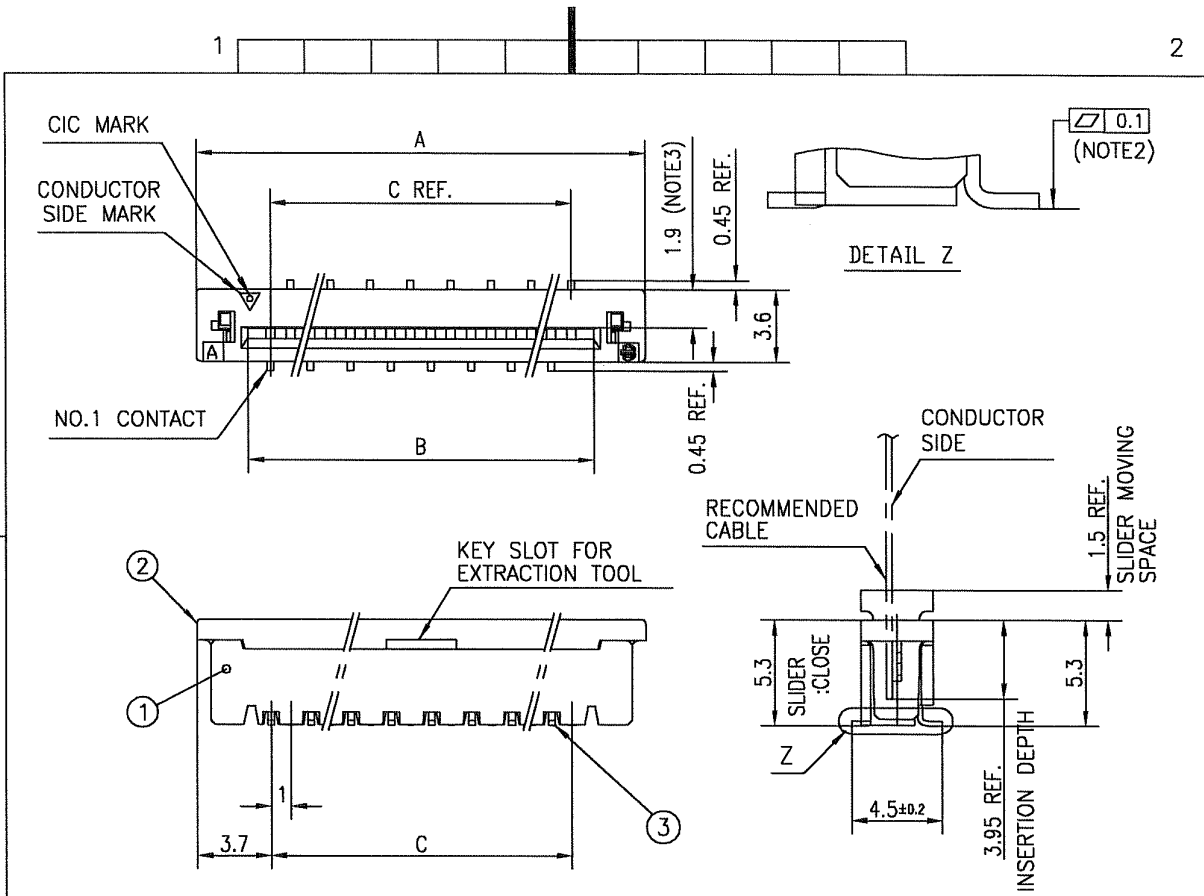
| | | | | | | | | | | | | | |
|-------------|----------|------------------|------------|---------------------------------------|--|------------------------------|--|------------|--|--|--|---------|--|
| mat'l. code | | | | surface 58 / ISO 1302 ✓ | | tolerance ISO 406 / ISO 1101 | | projection | | product family 58SF | | CODE JP | |
| ltr | ecn no | dr | date | tolerances unless otherwise specified | | | | mm | | title | | | |
| AA | J04-0333 | H.T | 2004-10-13 | angles linear | | | | mm | | CAT. NO. TABLE FOR 1mm SPACING SMT CONNECTOR (CAT.No.SFW__S-6ST__) | | | |
| AB | J05-0547 | H.T | 2005-8-30 | | | | | scale X | | dwg no sheet 1 of 1 size | | | |
| AC | J06-0430 | H.T | 2006-10-19 | | | | | FCI | | JSA 93900 A4 | | | |
| AD | J07-0407 | H.T | 2007-8-9 | dr <i>H. Takahashi 2007-8-9</i> | | | | | | type Product Customer Drawing | | | |
| | | | | engr <i>H. Takahashi 2007-8-9</i> | | | | | | Rev AD | | | |
| | | | | chr <i>X. Zhou 2007-8-19</i> | | | | | | | | | |
| | | | | appd <i>C. Doolan 2007-8-16</i> | | | | | | | | | |
| sheet index | | revision sheet 1 | | AD | | | | | | | | | |

SC-SFWS02 JSA93905 93901 93902 93903 93904 form: A4



FCIconnect.com

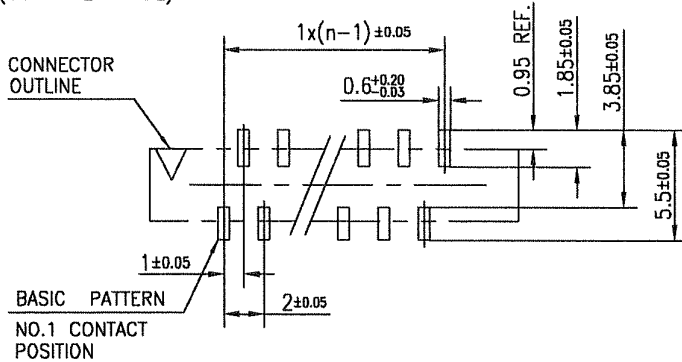
Copyright FCI.



| PT. NO. | PARTS NAME | MATERIAL | Q'TY | NOTE |
|---------|------------|---|------|-------------------|
| 1 | HOUSING | GLASS FILLED THERMOPLASTIC RATED. (UL94V-0) | 1 | COLOR:BROWN |
| 2 | SLIDER | PHOSPHOR BRONZE | 1 | COLOR:BLACK |
| 3 | CONTACT | PHOSPHOR BRONZE | n | PLATING:TIN ALLOY |

n : NO. OF CONTACTS

RECOMMENDED PC BOARD LAYOUT
(COMPONENT SIDE)



NOTES

- THIS PRODUCT IS THE CONNECTOR DESIGNED TO TERMINATE CIC AND COPES WITH AUTOMATIC MOUNTING (SMT).
- FLATNESS OF CONTACT TERMINAL MUST BE WITHIN TOLERANCE IN Z PORTION DETAILED DRAWING.
- THIS DIMENSION IS SPACE FOR THE NOZZLE OF MOUNTER.

| | | | | | | | | | | | |
|----------------------------|--|----------------|--|--|--|------------|--|---|--|---------|--|
| mat'l. code | | | | surface 58 / tolerance ISO 1302 ✓ / ISO 406 / ISO 1101 | | projection | | product family 58SF | | CODE JP | |
| ltr ecn no dr date | | | | tolerances unless otherwise specified | | mm | | title | | | |
| AA J04-0333 H.T. Oct.13/04 | | | | angles linear ±0.2 | | mm | | 1mm SPACING SURFACE MOUNT CIC CONNECTOR (CAT.No.SFW__S-6ST__) | | | |
| AB J06-0430 H.T. 10/19/06 | | | | | | scale X | | dwg no sheet 1 of 1 size | | | |
| | | | | dr | | FCJ | | JSA 93905 A4 | | | |
| | | | | engr | | | | type Product Customer Drawing | | | |
| | | | | chr | | | | Rev. AB | | | |
| | | | | appd | | | | D | | | |
| sheet index | | revision sheet | | AB 1 | | | | | | | |

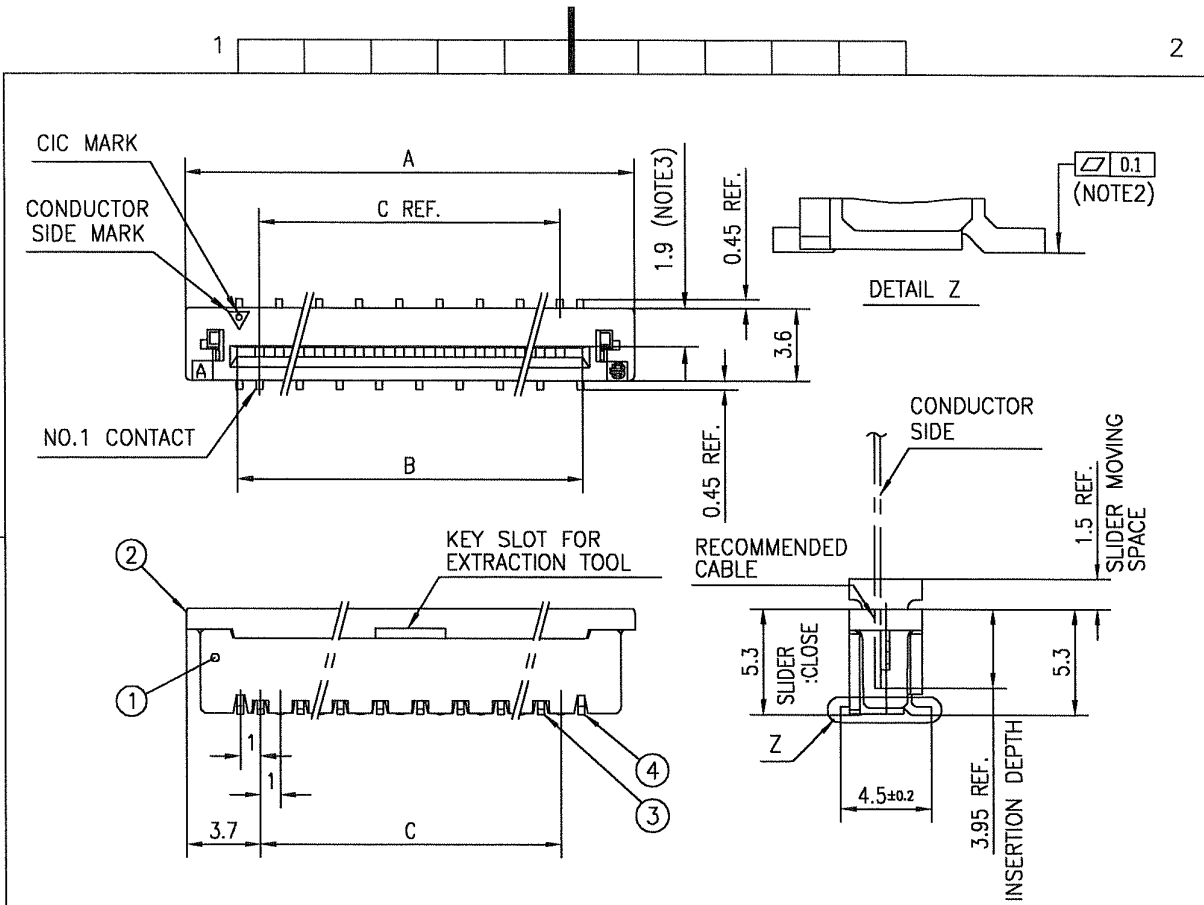
SC-SFWS02 JSA93900 form: A4



FCIconnect.com

Copyright FCI.

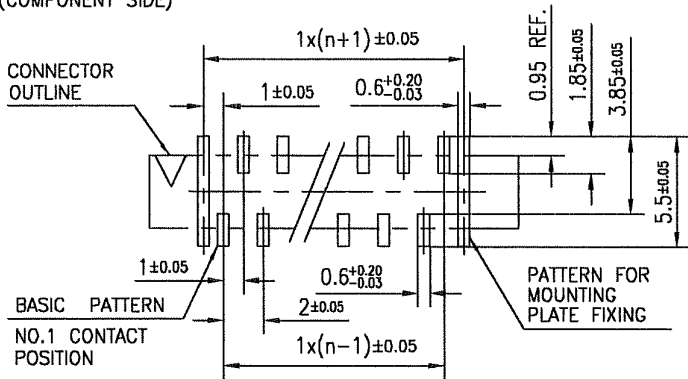




| PT. NO. | PARTS NAME | MATERIAL | Q'TY | NOTE |
|---------|----------------|---|------|--------------------|
| 1 | HOUSING | GLASS FILLED THERMOPLASTIC RATED. (UL94V-0) | 1 | COLOR: BROWN |
| 2 | SLIDER | | 1 | COLOR: BLACK |
| 3 | CONTACT | PHOSPHOR BRONZE | n | PLATING: TIN ALLOY |
| 4 | MOUNTING PLATE | BRASS | 2 | |

n : NO. OF CONTACTS

RECOMMENDED PC BOARD LAYOUT (COMPONENT SIDE)



NOTES

1. THIS PRODUCT IS THE CONNECTOR DESIGNED TO TERMINATE CIC AND COPEs WITH AUTOMATIC MOUNTING (SMT).
2. FLATNESS OF CONTACT TERMINAL AND MOUNTING PLATE MUST BE WITHIN TOLERANCE IN Z PORTION DETAILED DRAWING.
3. THIS DIMENSION IS SPACE FOR THE NOZZLE OF MOUNTER.

| | | | | | | | | | | | |
|----------------------------|--|---------------------------------------|--|-------------------|--|------------|--|-------------------------------|--|--|--|
| mat'l. code | | surface 58 | | tolerance ISO 406 | | projection | | product family | | CODE JP | |
| ltr ecn no dr date | | ISO 1302 | | ISO 1101 | | mm | | title | | 1mm SPACING SURFACE MOUNT CIC CONNECTOR (CAT.No.SFW__S-6STM__) | |
| AA J04-0333 H.T Oct.13,'04 | | tolerances unless otherwise specified | | ±0.2 | | scale | | dwg no | | sheet of size | |
| AB J06-0430 H.T 10/19/06 | | angles linear | | | | FCJ | | JSA 93901 | | A4 | |
| dr | | 10/19/06 | | | | | | type Product Customer Drawing | | | |
| enr | | 10/19/06 | | | | | | | | | |
| chr | | 10/19/06 | | | | | | | | | |
| appd | | 10/20/06 | | | | | | | | | |
| sheet index | | revision AB sheet 1 | | | | | | | | Rev. AB | |

SC-SFWS02 JSA93900 form: A4

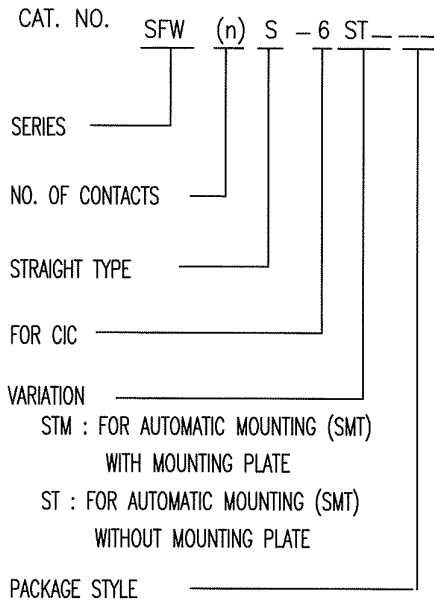


FCIconnect.com

Copyright FCI.

CAT. NO. & DIMENSIONS

| (NOTE4) | NO. OF CONTACTS (n) | CAT. NO. (NOTE2) | DIMENSIONS (NOTE3) | | |
|---------|---------------------|------------------|--------------------|---------|---------|
| | | | D ± 5 | E ± 0.3 | F ± 0.1 |
| | 4 | SFW4S-6ST_E1 | 28.4 | 24 | — |
| | 5 | SFW5S-6ST_E1 | 28.4 | 24 | — |
| | 6 | SFW6S-6ST_E1 | 28.4 | 24 | — |
| * | 7 | SFW7S-6ST_E1 | 28.4 | 24 | — |
| | 8 | SFW8S-6ST_E1 | 28.4 | 24 | — |
| * | 9 | SFW9S-6ST_E1 | 28.4 | 24 | — |
| | 10 | SFW10S-6ST_E1 | 28.4 | 24 | — |
| | 11 | SFW11S-6ST_E1 | 28.4 | 24 | — |
| * | 12 | SFW12S-6ST_E1 | 36.4 | 32 | 28.4 |
| | 13 | SFW13S-6ST_E1 | 36.4 | 32 | 28.4 |
| | 14 | SFW14S-6ST_E1 | 36.4 | 32 | 28.4 |
| | 15 | SFW15S-6ST_E1 | 36.4 | 32 | 28.4 |
| | 16 | SFW16S-6ST_E1 | 48.4 | 44 | 40.4 |
| | 17 | SFW17S-6ST_E1 | 48.4 | 44 | 40.4 |
| * | 18 | SFW18S-6ST_E1 | 48.4 | 44 | 40.4 |
| * | 19 | SFW19S-6ST_E1 | 48.4 | 44 | 40.4 |
| | 20 | SFW20S-6ST_E1 | 48.4 | 44 | 40.4 |
| * | 21 | SFW21S-6ST_E1 | 48.4 | 44 | 40.4 |
| | 22 | SFW22S-6ST_E1 | 48.4 | 44 | 40.4 |
| | 23 | SFW23S-6ST_E1 | 48.4 | 44 | 40.4 |
| | 24 | SFW24S-6ST_E1 | 48.4 | 44 | 40.4 |
| * | 25 | SFW25S-6ST_E1 | 48.4 | 44 | 40.4 |
| | 26 | SFW26S-6ST_E1 | 48.4 | 44 | 40.4 |
| * | 27 | SFW27S-6ST_E1 | 60.4 | 56 | 52.4 |
| | 28 | SFW28S-6ST_E1 | 60.4 | 56 | 52.4 |
| | 29 | SFW29S-6ST_E1 | 60.4 | 56 | 52.4 |
| | 30 | SFW30S-6ST_E1 | 60.4 | 56 | 52.4 |
| * | 31 | SFW31S-6ST_E1 | 60.4 | 56 | 52.4 |
| * | 32 | SFW32S-6ST_E1 | 60.4 | 56 | 52.4 |



NOTES

1. THIS PRODUCT IS THE CONNECTOR DESIGNED TO TERMINATE CIC AND COPES WITH AUTOMATIC MOUNTING (SMT).
2. THIS CATALOG NO. INDICATES PLASTIC TAPE PACKAGED CONNECTOR.
3. SEE PART DRAWINGS FOR DIMENSIONS D~F.
4. PLEASE CONSULT US IN CASE OF USING PARTS WITH * MARK.



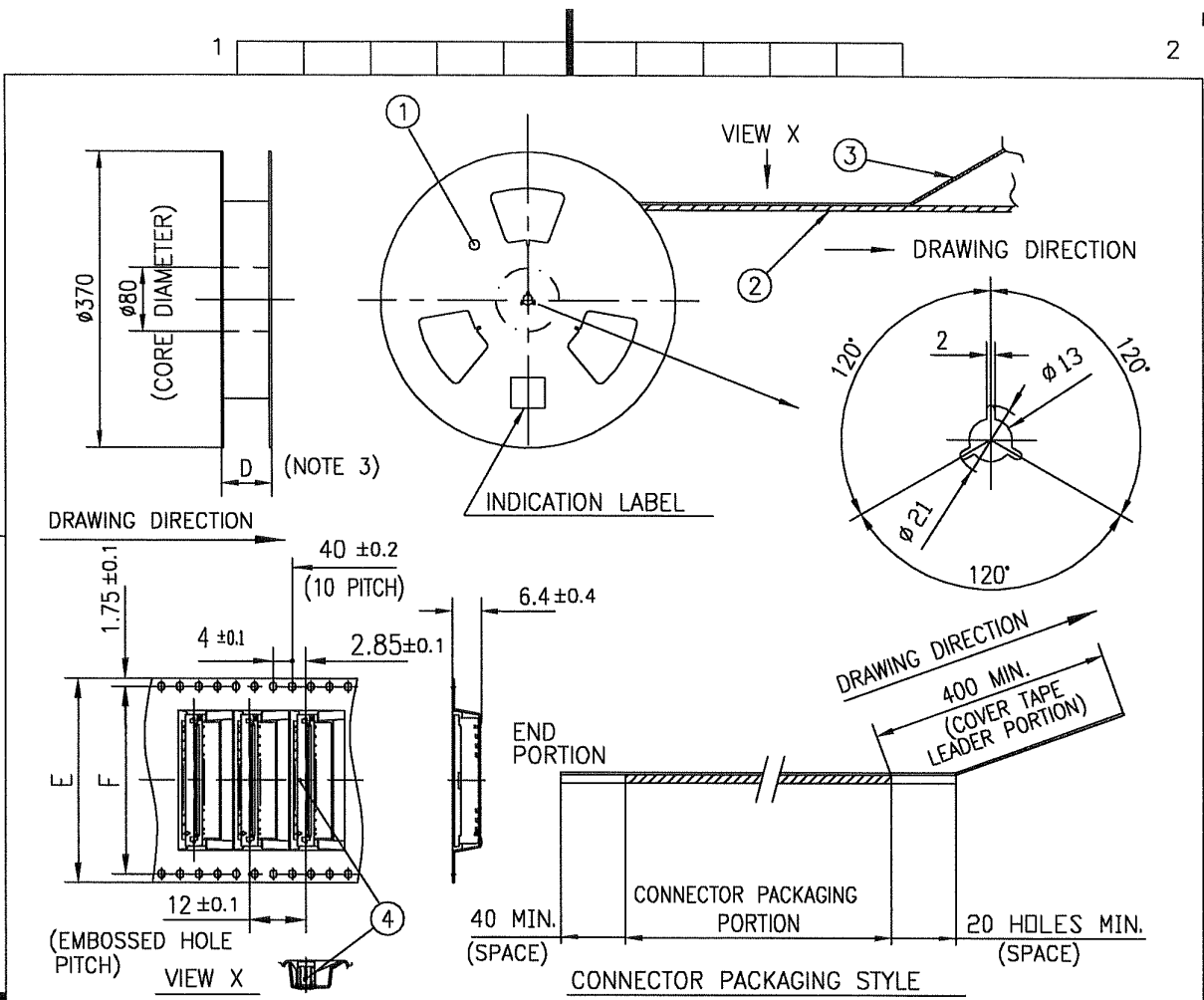
FCIconnect.com

Copyright FCI.

| | | | | | | | | | | | | | |
|----------------------------|--|----------|--|--|--|----------------------------------|--|----------------|--|--|--|-------------------|--|
| mat'l. code | | | | surface 58 ISO 1302 ✓ | | tolerance ISO 406 ISO 1101 | | projection | | product family 58SF | | CODE JP | |
| litr ecn no dr date | | | | tolerances, unless otherwise specified | | | | mm | | title CAT. NO. TABLE FOR PLASTIC TAPE PACKAGED 1mm SPACING SMT CONN. (CAT.No.SFW__S-6ST_E1) | | | |
| AA J04-0333 H.T 2004-10-13 | | | | angles | | linear | | scale X | | dwg no | | sheet 1 of 1 size | |
| AB J05-0547 H.T 2005-8-30 | | | | | | | | | | JSA 93902 | | A4 | |
| AC J06-0430 H.T 2006-10-19 | | | | | | | | | | type Product Customer Drawing | | | |
| AD J07-0407 H.T 2007-8-9 | | | | dr | | 2007-8-9 | | | | | | Rev AD | |
| | | | | enrg | | 2007-8-9 | | | | | | | |
| | | | | chr | | 2007-8-9 | | | | | | | |
| | | | | appd | | 2007-8-9 | | | | | | | |
| sheet index | | revision | | AD | | | | | | | | | |
| 1 | | 1 | | | | | | | | | | | |

JSA93900 form: A4

93903



| PT. NO. | PARTS NAME | CAT. NO. | MATERIAL | Q'TY | NOTE |
|---------|------------------------|--------------|-------------------|-------|--------------------|
| 1 | REEL | _____ | CARDBOARD | 1 | COLOR:GRAY |
| 2 | PLASTIC (EMBOSSD) TAPE | _____ | PET | _____ | COLOR:TRANSPARENCY |
| 3 | COVER | _____ | POLYESTER | _____ | COLOR:TRANSPARENCY |
| 4 | CONNECTOR | SFW__S-6ST__ | SEE ATTACHED DWG. | 1000 | _____ |

NOTES

1. THIS IS PLASTIC TAPE PACKAGED CONNECTOR USED FOR CIC AND COPES WITH AUTOMATIC MOUNTING (SMT).
2. SEE JIS C 0806 (PACKING OF ELECTRONIC COMPONENTS ON CONTINUOUS TAPES (SURFACE MOUNTING DEVICES)) FOR SHAPE AND DIMENSIONS OF PLASTIC (EMBOSSD) TAPE AND REEL.
3. D DIMENSION IS PORTION OF THE CORE.

| | | | | | | |
|-------------|----------------|--|-----------------------------|---------------------------------------|--|---------|
| mat'l. code | | surface 58 / tolerance ISO 1302 ✓ / ISO 406 / ISO 1101 | | projection | product family 58SF | CODE JP |
| ltr | ecn no | dr | date | tolerances unless otherwise specified | title | |
| AA | J04-0333 | H.T | Oct.13/04 | ±5 | PLASTIC TAPE PACKAGED 1mm SPACING SMT CONNECTOR (CAT.No.SFW__S-6ST_E1) | |
| AB | J06-0430 | H.T | 10/19/06 | linear | mm | |
| | | | | ±5' | scale X | |
| | | dr | <i>H. Saito</i> 10/19/06 | | dwg no sheet 1 of 1 size | |
| | | enr | <i>H. Saito</i> 10/19/06 | | JSA 93903 A4 | |
| | | chr | <i>R. Brown</i> 10/19/06 | | type Product Customer Drawing | |
| | | appd | <i>S. Anderson</i> 10/20/06 | | | |
| sheet index | revision sheet | AB 1 | | | | Rev AB |

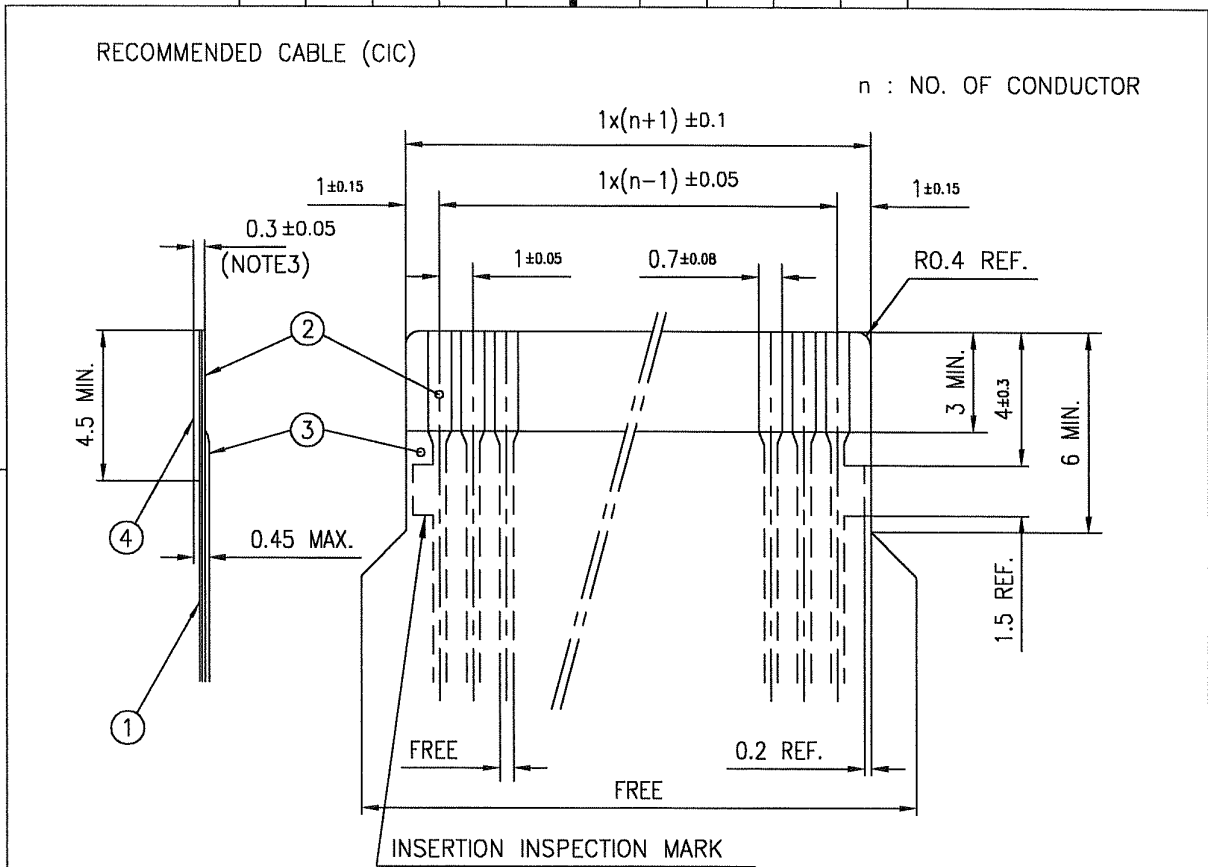
JSA93902 form: A4



FCIconnect.com

Copyright FCI.





| PT. NO. | PARTS NAME | MATERIAL | THICKNESS (μm) | |
|---------|-----------------|---------------------------------|----------------|-----|
| | | | | |
| 1 | BASE FILM | POLYESTER OR EQUAL | 75 | 25 |
| 2 | CONDUCTOR | CARBON PASTE OVER SILVER PASTE | 10 MIN. | |
| 3 | OVERLAY | POLYIMIDE OR POLYESTER OR EQUAL | — | |
| 4 | SUPPORTING TAPE | POLYESTER OR POLYIMIDE OR EQUAL | 188 | 250 |

NOTES

1. NO BURR AT EACH PORTION.
2. NO PEELING IN COMMON USE.
3. TOTAL THICKNESS LIMIT OF EACH MATERIAL (INCLUDING ADHESIVE AGENT) IS SPECIFIED.

| | | | | | | | | | |
|-------------|----------|--|-----------|---------------------------------------|--------|-----------------------|--|--------------------------|--|
| mat'l. code | | surface 58 / tolerance ISO 1302 ✓ / ISO 406 / ISO 1101 | | projection | | product family 58SF | | CODE JP | |
| ltr | ecn no | dr | date | tolerances unless otherwise specified | | title | | | |
| AA | J04-0333 | H.T | Oct.13/04 | angles | linear | RECOMMENDED CABLE | | | |
| AB | J06-0430 | H.T | 10/19/06 | | | (CAT.No.SFW__S-6ST__) | | | |
| | | dr | 10/19/06 | | | dwg no | | sheet 1 of 1 size | |
| | | enr | 10/19/06 | | | JSA 93904 | | A4 | |
| | | chr | 10/19/06 | | | type | | Product Customer Drawing | |
| | | appd | 10/20/06 | | | | | | |
| sheet index | revision | AB | | | | | | Rev. AB | |
| | sheet | 1 | | | | | | | |



FCIconnect.com

Copyright FCI.

