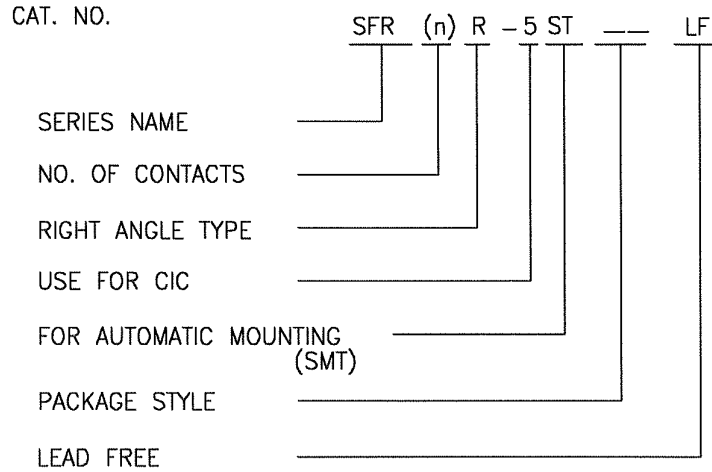


CAT. NO. & DIMENSIONS

NO. OF CONTACTS (n)	CAT. NO.	DIMENSIONS (NOTE2)			
		A ±0.2	B ±0.15	C ±0.15	D ±0.1
4	SFR 4R-5ST__LF	8.6	7.7	2.4	4.2
6	SFR 6R-5ST__LF	10.2	9.3	4.0	5.8
8	SFR 8R-5ST__LF	11.8	10.9	5.6	7.4
10	SFR10R-5ST__LF	13.4	12.5	7.2	9.0
12	SFR12R-5ST__LF	15.0	14.1	8.8	10.6
14	SFR14R-5ST__LF	16.6	15.7	10.4	12.2
16	SFR16R-5ST__LF	18.2	17.3	12.0	13.8
18	SFR18R-5ST__LF	19.8	18.9	13.6	15.4
20	SFR20R-5ST__LF	21.4	20.5	15.2	17.0
22	SFR22R-5ST__LF	23.0	22.1	16.8	18.6
24	SFR24R-5ST__LF	24.6	23.7	18.4	20.2
26	SFR26R-5ST__LF	26.2	25.3	20.0	21.8
28	SFR28R-5ST__LF	27.8	26.9	21.6	23.4
30	SFR30R-5ST__LF	29.4	28.5	23.2	25.0



NOTES

1. THIS IS SMT CONNECTOR FOR AUTOMATIC MOUNTING.
2. SEE PART DRAWINGS FOR DIMENSIONS A~D.

mat'l. code				surface <input checked="" type="checkbox"/> ISO 1302 <input type="checkbox"/> tolerance <input checked="" type="checkbox"/> ISO 406 <input type="checkbox"/> ISO 1101		projection		product family 58BF		CODE JP	
ltr		ecn no		dr		date		tolerances unless otherwise specified		title	
A		J05-0280		H.T		5/12/05		mm		CAT NO. TABLE FOR	
B		J06-0485		H.T		11/20/06		scale $\times$		0.8mm SPACING CONNECTOR	
										(CAT.No.SFR__R-5ST__LF)	
				dr		11/20/06		dwg no		sheet 1 of 1 size	
				engr		11/20/06		JSA 96443		A4	
				chr		11/20/06		type		Product Customer Drawing	
				appd		11/20/06					
sheet		revision B								Rev. B	
index		sheet 1								D	

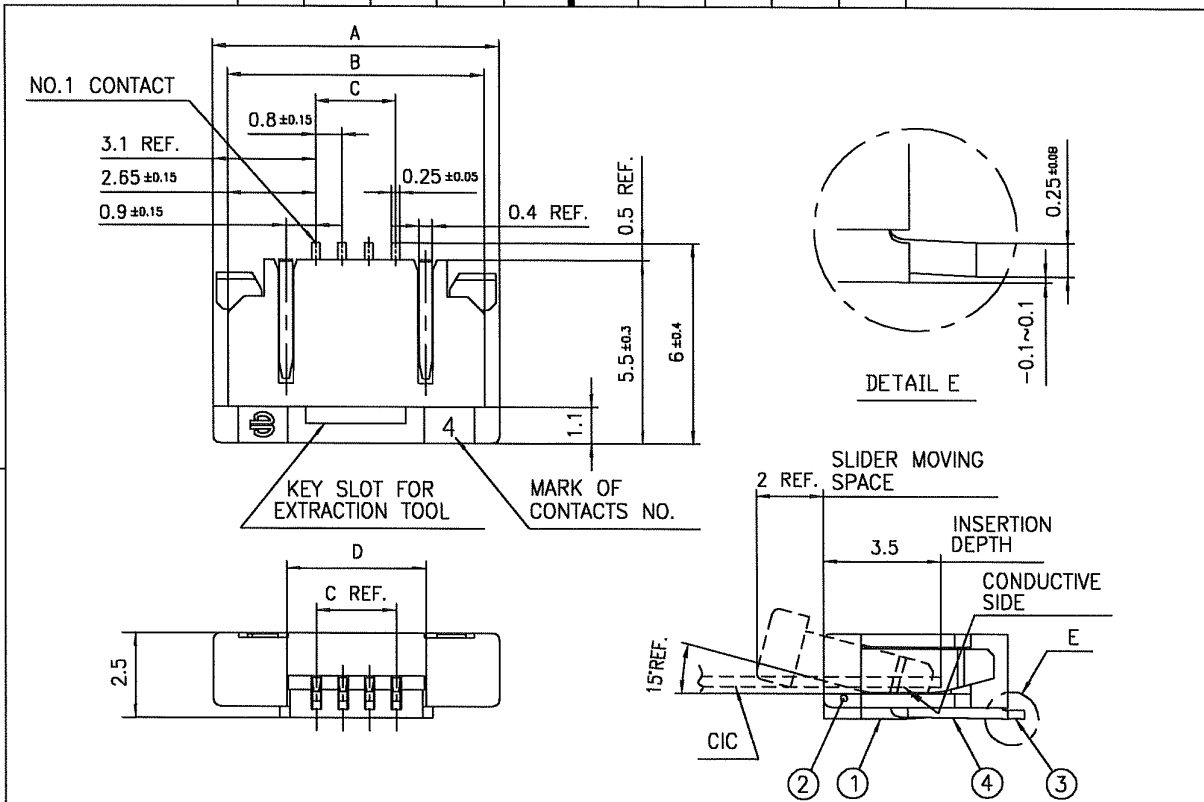
SC-SFR06 JSA96444 96445 96446 96447 92683  
form: A4



FCIconnect.com

Copyright FCI.

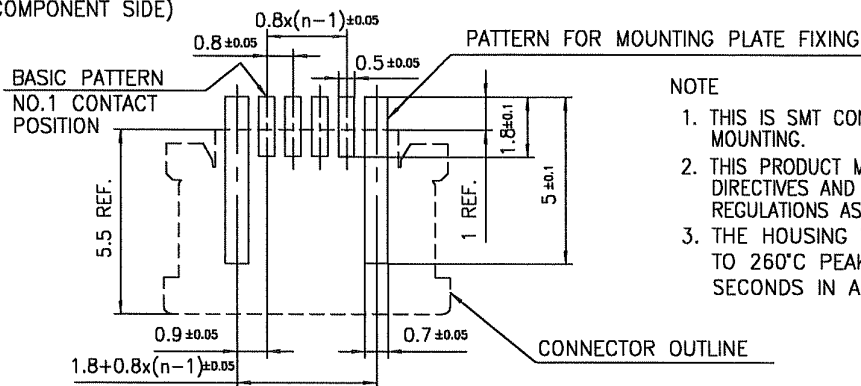




PT. NO.	PARTS NAME	MATERIAL	Q'TY	NOTE
1	HOUSING	PPS RESIN GLASS REINFORCED (UL94V-0)	1	COLOR : BLACK
2	SLIDER		1	COLOR : BEIGE
3	CONTACT	PHOSPHOR BRONZE	n	PLATING : TIN (LEAD FREE)
4	MOUNTING PLATE		2	

RECOMMENDED PC BOARD LAYOUT  
(COMPONENT SIDE)

n : NO. OF CONTACTS

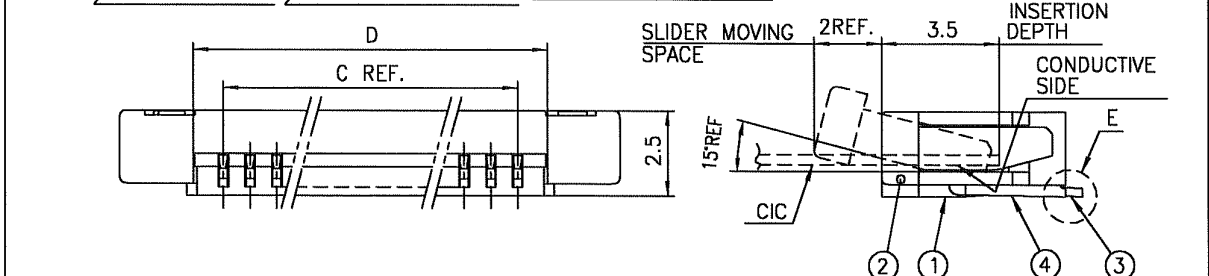
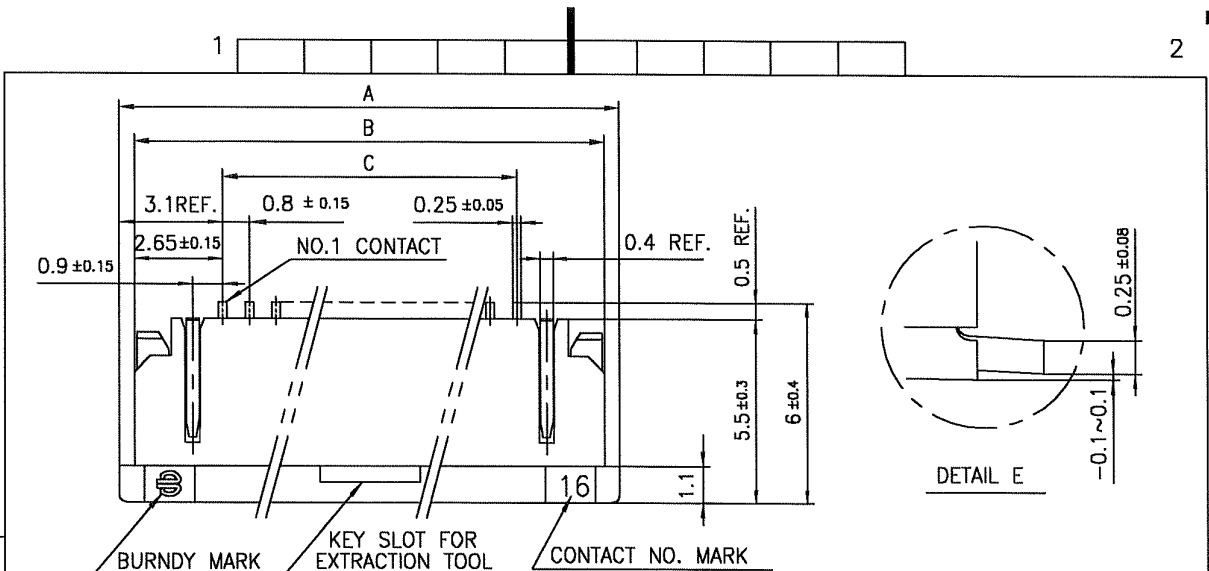


NOTE

- THIS IS SMT CONNECTOR FOR AUTOMATIC MOUNTING.
- THIS PRODUCT MEETS EUROPEAN UNION DIRECTIVES AND OTHER COUNTRY REGULATIONS AS DESCRIBED IN GS-22-00B.
- THE HOUSING WILL WITHSTAND EXPOSURE TO 260°C PEAK TEMPERATURE FOR 10 SECONDS IN A REFLOW SOLDERING OVEN.

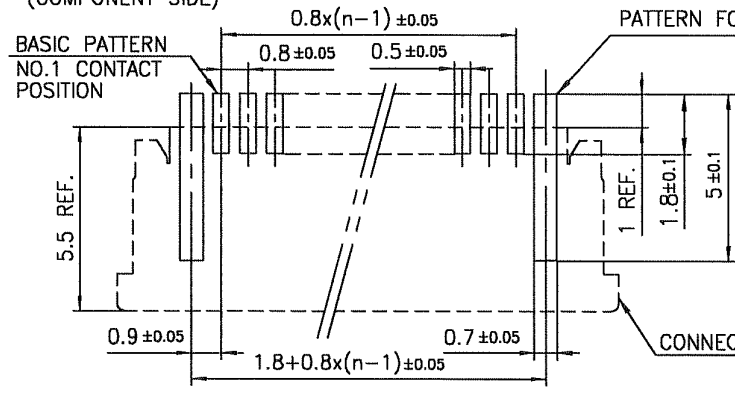
mat'l. code				surface ISO 1302		tolerance ISO 406 ISO 1101		projection		product family 58BF		CODE JP	
ltr ecn no dr date				tolerances unless otherwise specified		mm		mm		title			
A	J05-0280	H.T	5/12/05	angles		linear		scale X		0.8mm SPACING CONNECTOR FOR CIC (CAT.No.SFR4R-5ST__LF)			
B	J05-0730	H.T	10/28/05							dwg no		sheet 1 of 1	
C	J06-0485	H.T	11/20/06							JSA 96444		size A4	
				dr		11/20/06		FCI		type Product Customer Drawing			
				enr		11/20/06							
				chr		11/20/06							
				appd		11/21/06							
sheet index		revision sheet		C								Rev. c	

SC-SFR06 JSA96443  
form: A4



PT. NO.	PARTS NAME	MATERIAL	Q'TY	NOTE
1	HOUSING	PPS RESIN GLASS REINFORCED (UL94V-0)	1	COLOR : BLACK
2	SLIDER		1	COLOR : BEIGE
3	CONTACT	PHOSPHOR BRONZE	n	PLATING : TIN (LEAD FREE)
4	MOUNTING PLATE		2	

RECOMMENDED PC BOARD LAYOUT  
(COMPONENT SIDE)



- n : NO. OF CONTACTS
- NOTE
1. THIS IS SMT CONNECTOR FOR AUTOMATIC MOUNTING.
  2. THIS PRODUCT MEETS EUROPEAN UNION DIRECTIVES AND OTHER COUNTRY REGULATIONS AS DESCRIBED IN GS-22-008.
  3. THE HOUSING WILL WITHSTAND EXPOSURE TO 260°C PEAK TEMPERATURE FOR 10 SECONDS IN A REFLOW SOLDERING OVEN.

mat'l. code				surface ISO 1302 ✓		tolerance ISO 406 ✓ ISO 1101		projection mm		product family 58BF		CODE JP	
ltr	ecn no	dr	date	tolerances unless otherwise specified		angles		linear		title 0.8mm SPACING CONNECTOR FOR CIC (CAT.No.SFR__R-5ST__LF)			
A	J05-0280	H.T	5/12/05	±0.2						dwg no		sheet 1 of 1 size	
B	J05-0730	H.T	10/28/05							JSA 96445		A4	
C	J06-0485	H.T	11/20/06							type		Product Customer Drawing	
sheet index		revision sheet		c								Rev c	
1		1		1								2	

SC-SFR06 JSA96443 form: A4



FCIconnect.com

Copyright FCI.



CAT. NO. & DIMENSIONS

NO. OF CONTACTS (n)	CAT. NO. (NOTE2)	DIMENSIONS (NOTE3)			
		E ±5	F ±0.3	G ±0.1	H ±0.4
4	SFR 4R-5STE1LF	22.4	16	—	3.35
6	SFR 6R-5STE1LF	22.4	16	—	3.35
8	SFR 8R-5STE1LF	30.4	24	—	3.45
10	SFR 10R-5STE1LF	30.4	24	—	3.45
12	SFR 12R-5STE1LF	30.4	24	—	3.45
14	SFR 14R-5STE1LF	30.4	24	—	3.45
16	SFR 16R-5STE1LF	30.4	24	—	3.45
18	SFR 18R-5STE1LF	38.4	32	28.4	3.45
20	SFR 20R-5STE1LF	38.4	32	28.4	3.45
22	SFR 22R-5STE1LF	50.4	44	40.4	3.55
24	SFR 24R-5STE1LF	50.4	44	40.4	3.55
26	SFR 26R-5STE1LF	50.4	44	40.4	3.55
28	SFR 28R-5STE1LF	50.4	44	40.4	3.55
30	SFR 30R-5STE1LF	50.4	44	40.4	3.55

CAT. NO.

SFR (n) R - 5 ST E1 LF

SERIES NAME

NO. OF CONTACTS

RIGHT ANGLE TYPE

USE FOR CIC

FOR AUTOMATIC MOUNTING (SMT)

TAPE PACKAGING

LEAD FREE

NOTES

1. THIS IS SMT CONNECTOR FOR AUTOMATIC MOUNTING.
2. THIS CATALOG NO. INDICATES PLASTIC TAPE PACKAGED CONNECTOR.
3. SEE DRAWINGS OF CONNECTOR PACKAGING FOR DIMENSIONS E~H.

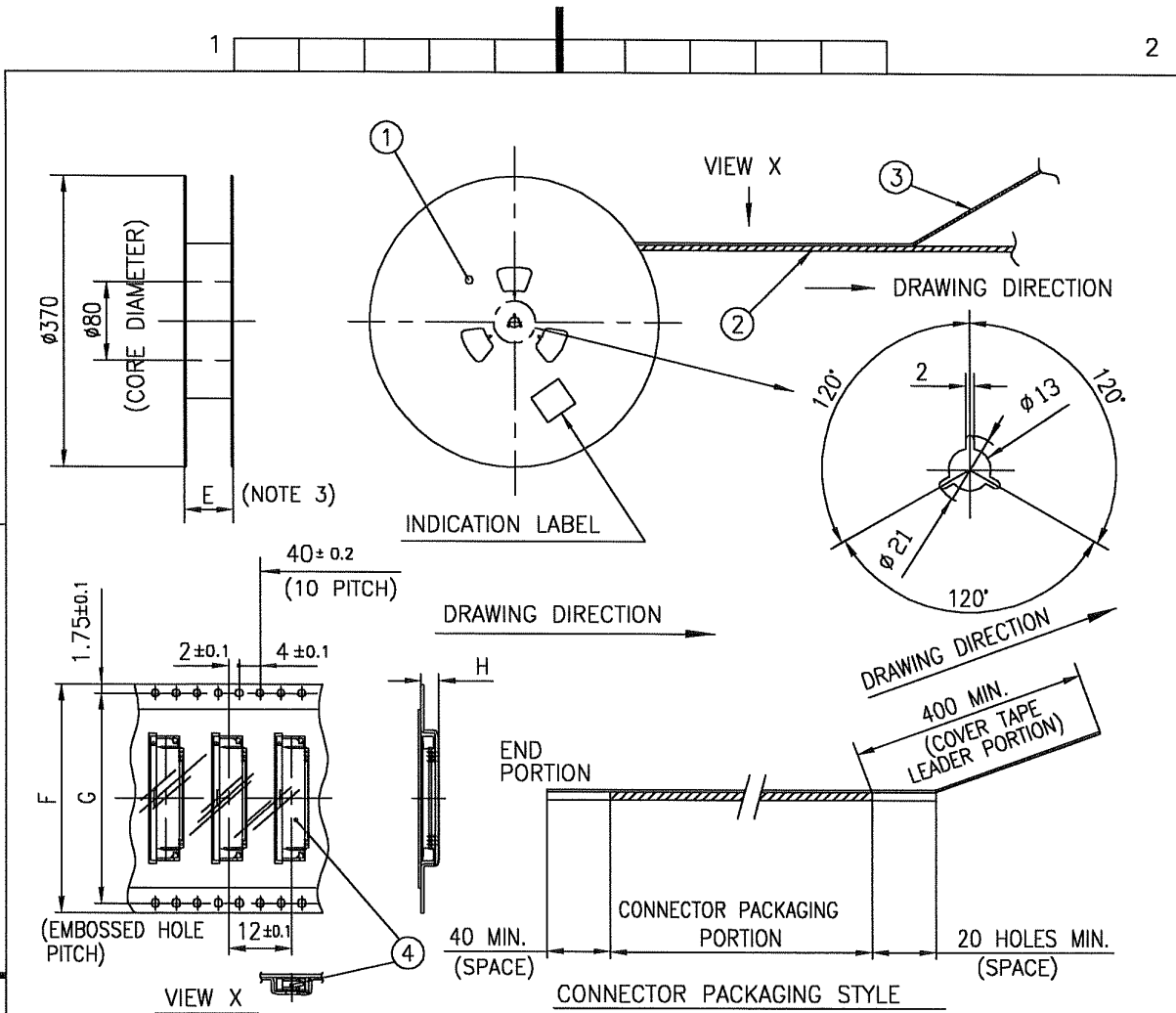
mat'l. code				surface <input checked="" type="checkbox"/> ISO 1302 <input checked="" type="checkbox"/> ISO 406 <input checked="" type="checkbox"/> ISO 1101		tolerance <input checked="" type="checkbox"/> ISO 406 <input checked="" type="checkbox"/> ISO 1101		projection		product family 58BF		CODE JP	
ltr		ecn no		dr		date		angles		linear		title	
A		J05-0280		H.T		5/12/05						CAT NO. TABLE FOR PLASTIC TAPE PACKAGED 0.8mm SPACING CONNECTOR (CAT.No.SFR__R-5STE1LF)	
B		J06-0485		H.T		11/20/06						scale $\times$	
				dr		11/20/06				dwg no		sheet 1 of 1 size	
				engr		11/20/06				JSA 96446		A4	
				chr		11/20/06				type		Product Customer Drawing	
				appd		11/20/06							
sheet index		revision B		sheet 1								Rev. B	



FCIconnect.com

Copyright FCI.





PT. NO.	PARTS NAME	CAT. NO.	MATERIAL	Q'TY	NOTE
1	REEL	_____	CARDBOARD	1	COLOR:GRAY
2	PLASTIC (EMBOSS) TAPE	_____	POLYPROPYLENE or A-PET	_____	COLOR:TRANSPARENCY
3	COVER	_____	POLYESTER	_____	COLOR:TRANSPARENCY
4	SURFLOK CONNECTOR	SFR__R-5ST__LF	SEE ATTACHED DWG	2000	_____

NOTES

1. THIS IS PLASTIC TAPE PACKAGED SMT CONNECTORS FOR AUTOMATIC MOUNTING.
2. SEE JIS C 0806 (PACKING OF ELECTRONIC COMPONENTS ON CONTINUOUS TAPES (SURFACE MOUNTING DEVICES)) FOR SHAPE AND DIMENSIONS OF PLASTIC (EMBOSS) TAPE AND REEL.
3. E DIMENSION IS PORTION OF THE CORE.

mat'l. code				surface ISO 1302 ✓		tolerance ISO 406 ✓ ISO 1101		projection		product family 58BF		CODE JP	
ltr ecn no dr date				tolerances unless otherwise specified		±5		mm		title			
A J05-0280 H.T 5/12/05				angles		linear		scale X		PLASTIC TAPE PACKAGED 0.8mm SPACING CONNECTOR (CAT.No.SFR__R-5STE1LF)			
B J06-0485 H.T 11/20/06				±5'						dwg no		sheet 1 of 1 size	
				dr		11/20/06		FCJ		JSA 96447		A4	
				enr		11/20/06				type		Product Customer Drawing	
				chr		11/20/06							
				appd		11/21/06							
sheet index		revision B		sheet 1								Rev B	

SC-SFR06 JSA96446  
form: A4



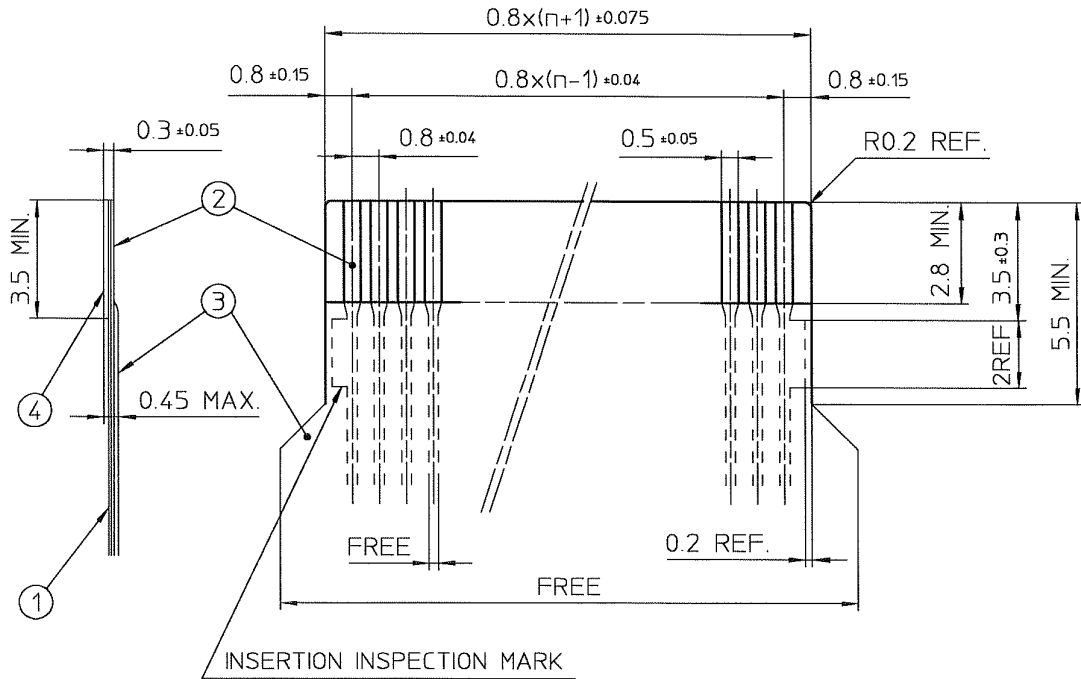
FCIconnect.com

Copyright FCI.



RECOMMENDED CABLE (CIC)

n : NO. OF CONDUCTOR



PT. NO.	PARTS NAME	MATERIAL	THICKNESS (μm)	
1	BASE FILM	POLYESTER OR EQUAL	75	25
2	CONDUCTOR	CARBON PASTE OVER SILVER PASTE	10 MIN.	
3	OVERLAY	POLYIMIDE OR POLYESTER OR EQUAL	—	
4	SUPPORTING TAPE	POLYESTER OR POLYIMIDE OR EQUAL	188	250

NOTES

1. NO BURR AT EACH PORTION.
2. NO PEELING IN COMMON USE.
3. TOTAL THICKNESS LIMIT OF EACH MATERIAL (INCLUDING ADHESIVE AGENT) IS SPECIFIED.

mat'l. code				surface ISO 1302 ✓		tolerance ISO 406 ISO 1101		projection		product family 58BF		
ltr	ecn no	dr	date	tolerances unless otherwise specified						title RECOMMENDED CABLE (CAT.No.SFR__R-5____)		
AA	J04-0357	H.T	Oct.13/04	angles	linear	scale X						
AB	J06-0485	H.T	11/20/06					dwg no		sheet 1 of 1	size	
				dr	11/20/06				JSA 92683		A4	
				enr	11/20/06				type			Product Customer Drawing
				chr	11/20/06							
				appd	11/21/06							
sheet index	revision sheet	AB	1							Rev	AB	



FCJconnect.com

Copyright FCJ

