

CAT. NO. & DIMENSIONS

NO. OF CONTACTS	STRAIGHT TYPE CAT. NO.	RIGHT ANGLE TYPE CAT. NO.	DIMENSIONS(NOTE1)	
			A ±0.3	B ±0.1
4	SLP 4 S - 5 LF	SLP 4 R - 5 LF	11.15	6.45
5	SLP 5 S - 5 LF	SLP 5 R - 5 LF	12.40	7.70
6	SLP 6 S - 5 LF	SLP 6 R - 5 LF	13.65	8.95
7	SLP 7 S - 5 LF	SLP 7 R - 5 LF	14.90	10.20
8	SLP 8 S - 5 LF	SLP 8 R - 5 LF	16.15	11.45
9	SLP 9 S - 5 LF	SLP 9 R - 5 LF	17.40	12.70
10	SLP 10S - 5 LF	SLP 10R - 5 LF	18.65	13.95
11	SLP 11S - 5 LF	SLP 11R - 5 LF	19.90	15.20
12	SLP 12S - 5 LF	SLP 12R - 5 LF	21.15	16.45
13	SLP 13S - 5 LF	SLP 13R - 5 LF	22.40	17.70
14	SLP 14S - 5 LF	SLP 14R - 5 LF	23.65	18.95
15	SLP 15S - 5 LF	SLP 15R - 5 LF	24.90	20.20
16	SLP 16S - 5 LF	SLP 16R - 5 LF	26.15	21.45
17	SLP 17S - 5 LF	SLP 17R - 5 LF	27.40	22.70
18	SLP 18S - 5 LF	SLP 18R - 5 LF	28.65	23.95
19	SLP 19S - 5 LF	SLP 19R - 5 LF	29.90	25.20
20	SLP 20S - 5 LF	SLP 20R - 5 LF	31.15	26.45

A

A

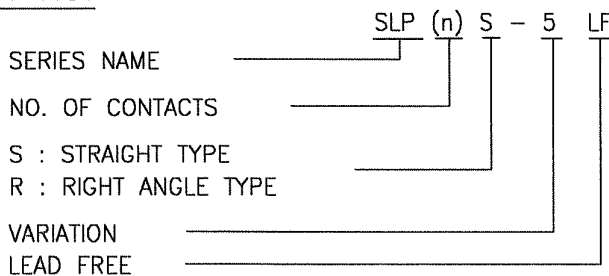
B

B

C

C

CAT. NO.



NOTES

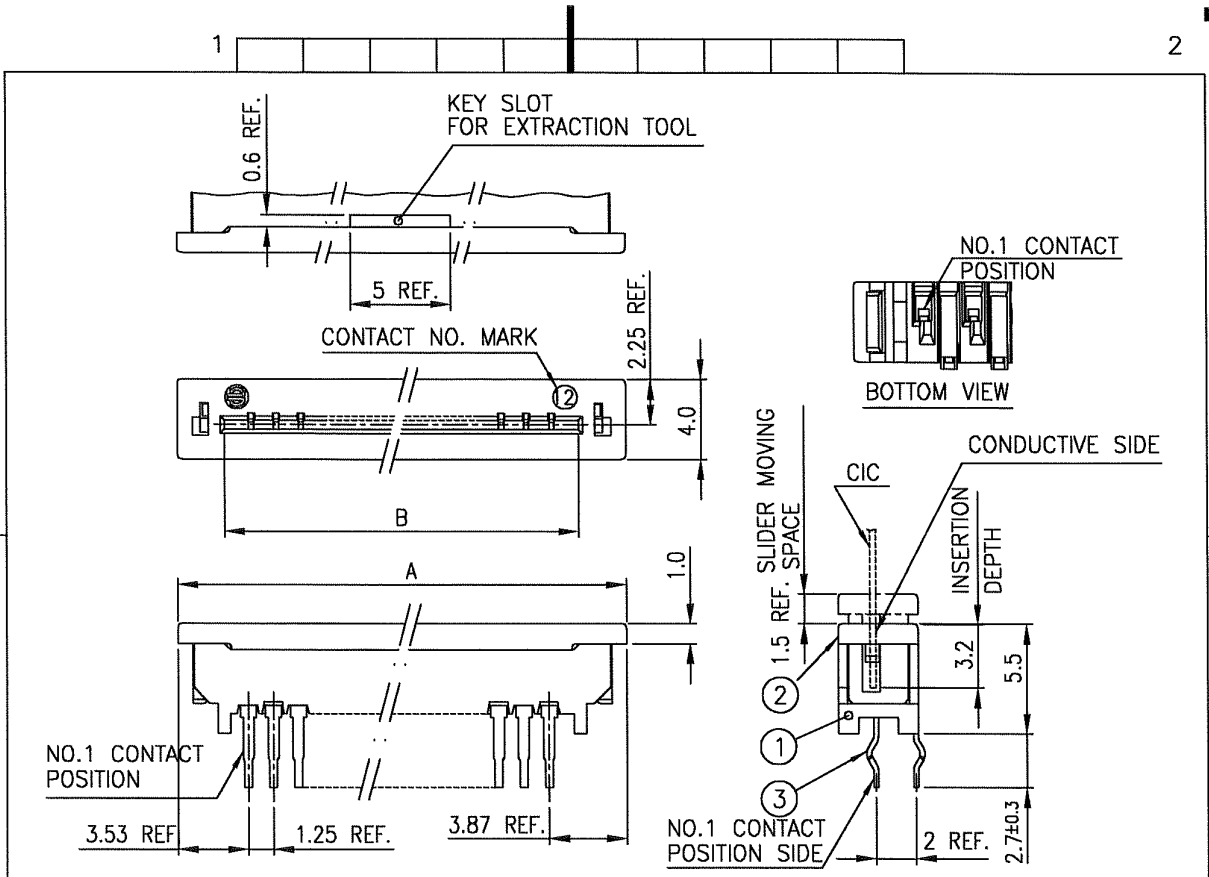
1) SEE PART DRAWINGS FOR DIMENSIONS A & B

mat'l. code		surface ISO 1302 ✓		tolerance ISO 406 ISO 1101		projection		product family 58KF		CODE JP	
litr		ecn no		dr		date		tolerances unless otherwise specified		title	
A		J05-0713		H.T		10/21/05		angles		CAT.No. TABLE FOR 1.25mm SPACING CONNECTOR (Cat. No. SLP__R/S-5LF)	
B		J06-0504		H.T		11/29/06		linear			
								mm		scale X	
				dr		11/29/06		FCJ		dwg no sheet 1 of 1 size	
				engr		11/29/06				JSA 96777 A4	
				chr		11/29/06				type Product Customer Drawing	
				appd		12/1/06					
sheet index		revision B		sheet 1						Rev. B	



FCIconnect.com

Copyright FCI.

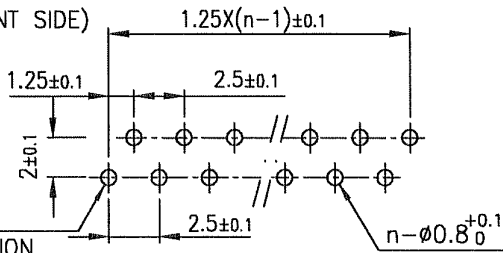


PT. NO.	PARTS NAME	MATERIAL	Q'TY	NOTE
1	HOUSING	PET RESIN GLASS REINFORCED (UL94V-0)	1	COLOR : BLACK
2	SLIDER		1	COLOR : GRAY
3	CONTACT	PHOSPHOR BRONZE	n	PLATING : TIN Ni UNDER PLATED

RECOMMENDED PC BOARD

THICKNESS : 0.8~1.6

HOLE PATTERN (COMPONENT SIDE)



BASIC HOLE

NO.1 CONTACT POSITION

n : NO. OF CONTACTS

THIS PRODUCT MEETS EUROPEAN UNION DIRECTIVES AND OTHER COUNTRY REGULATIONS AS DESCRIBED IN GS-22-008.

THE HOUSING WILL WITHSTAND EXPOSURE TO 260°C PEAK TEMPERATURE FOR 10 SECONDS IN A WAVE SOLDER APPLICATION WITH A 1.6mm THICK CIRCUIT BOARD.

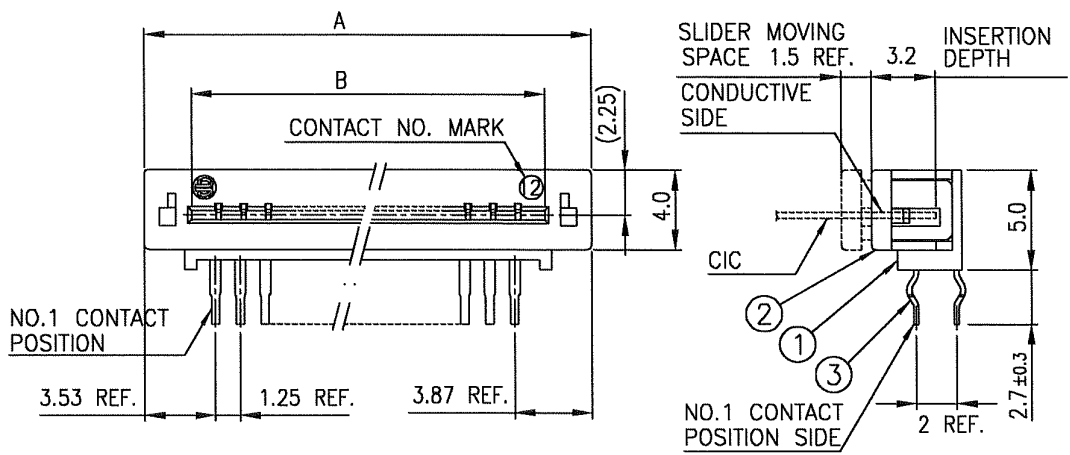
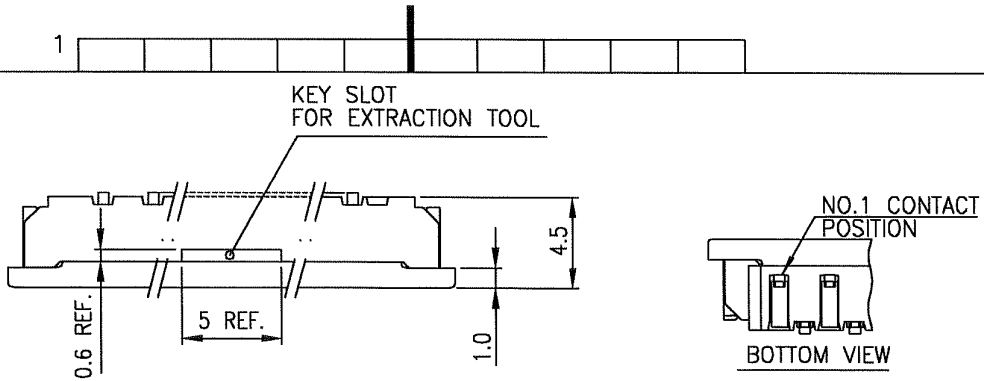
mat'l. code		surface 58 / tolerance ISO 1302 / ISO 406 / ISO 1101		projection		product family 58KF		CODE JP		
ltr	ecn no	dr	date	tolerances unless otherwise specified		title				
A	J05-0713	H.T	10/21/05	±0.2		1.25mm SPACING CONNECTOR FOR CIC (Cat. No. SLP__S-5LF)				
B	J06-0504	H.T	11/29/06	linear		mm				
				dr		scale X		dwg no sheet 1 of 1 size		
				engr		FCI		JSA 96778 A4		
				chr				type Product Customer Drawing		
				appd						
sheet index	revision sheet	B	1							Rev. B

SC-SLP06 form: A4 JSA96777



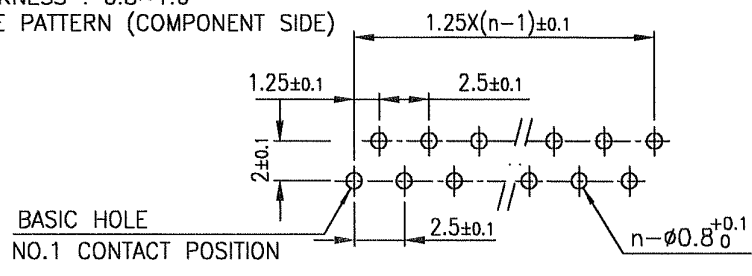
FCIconnect.com

Copyright FCI.



PT. NO.	PARTS NAME	MATERIAL	Q'TY	NOTE
1	HOUSING	PET RESIN GLASS REINFORCED (UL94V-0)	1	COLOR : BLACK
2	SLIDER		1	COLOR : GRAY
3	CONTACT	PHOSPHOR BRONZE	n	PLATING : TIN Ni UNDER PLATED

RECOMMENDED PC BOARD THICKNESS : 0.8~1.6 HOLE PATTERN (COMPONENT SIDE)



THIS PRODUCT MEETS EUROPEAN UNION DIRECTIVES AND OTHER COUNTRY REGULATIONS AS DESCRIBED IN GS-22-008. THE HOUSING WILL WITHSTAND EXPOSURE TO 260°C PEAK TEMPERATURE FOR 10 SECONDS IN A WAVE SOLDER APPLICATION WITH A 1.6mm THICK CIRCUIT BOARD.

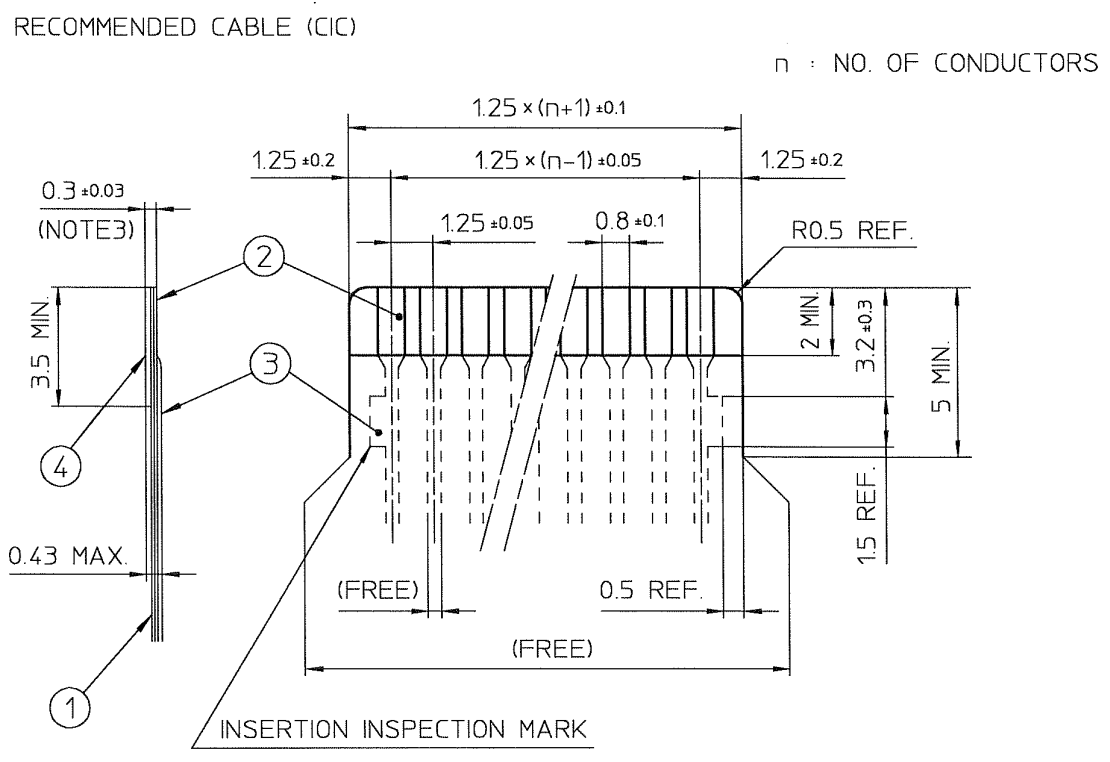
mat'l. code		surface ISO 1302		tolerance ISO 406 ISO 1101		projection		product family 58KF		CODE JP	
ltr	ecn no	dr	date	tolerances unless otherwise specified		mm		title			
A	J05-0713	H.T	10/21/05	angles	linear	mm		1.25mm SPACING CONNECTOR FOR CIC (Cat. No. SLP__R-5LF)			
B	J06-0504	H.T	11/29/06			scale X		dwg no		sheet 1 of 1 size	
		dr				FCJ		JSA 96779		A4	
		enr						type		Product Customer Drawing	
		chr									
		appd									
sheet index	revision sheet	B	1							Rev B	

SC-SLP06 form: A4 JSA96777



FCIconnect.com

Copyright FCI.



BILL OF MATERIAL

PT. NO.	PARTS NAME	MATERIAL	THICKNESS (μm)
1	BASE FILM	POLYESTER OR EQUAL	75
2	CONDUCTOR	CARBON PASTE OVER SILVER PASTE	10 MIN.
3	OVERLAY	POLYESTER OR EQUAL	—
4	SUPPORTING TAPE	POLYESTER OR EQUAL	188

NOTES

1. NO BURR AT EACH PORTION.
2. NO PEELING IN COMMON USE.
3. THIS DIMENSION PRESCRIBES TOTAL THICKNESS OF PT. NO. 1, 2 & 4 INCLUDING ADHESIVES.

mat'l. code		surface ISO 1302 ✓		tolerance ISO 406 ISO 1101		projection		product family 58KF			
ltr	ecn no	dr	date	tolerances unless otherwise specified		title		RECOMMENDED CABLE (CIC)			
1		H.T	6/2/98	angles	linear	title		(Cat. No. SLP__R/S-5__)			
A	J06-0504	H.T	11/29/06			scale X		dwg no sheet 1 of 1			
		dr	<i>H. S. S. S.</i>	engr	<i>H. S. S. S.</i>			JSA 28896			
		chr	<i>K. S. S. S.</i>	appd	<i>S. S. S. S.</i>			type Product Customer Drawing		size A4	
sheet index	revision sheet	A	1							Rev	
										A	



FCJconnect.com

Copyright FCJ