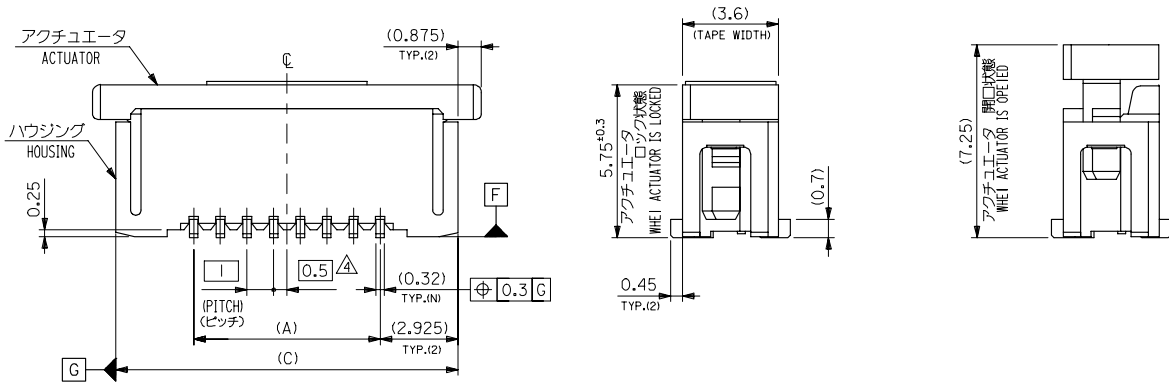
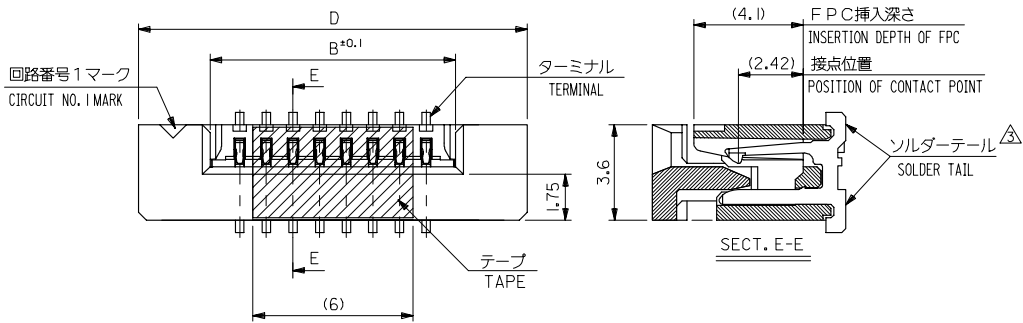
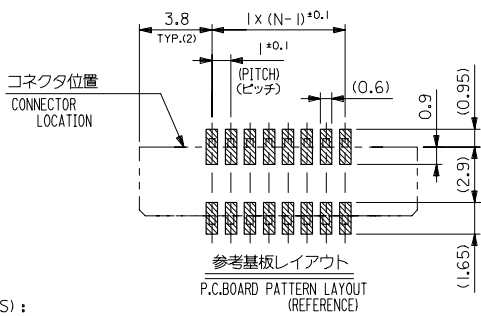
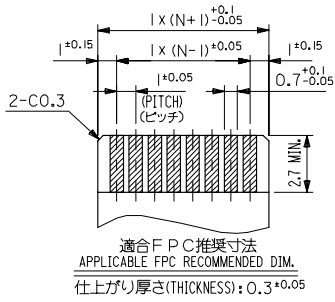


10 9 8 7 6 5 4 3 2 1



REVISED EC NO. J2006-0190 DRW:HYAJIMA 2005/07/27 CHK:CHN. UKITA 2005/07/27 APPR:NIKIITA 2005/08/02	GENERAL TOLERANCES (UNLESS SPECIFIED)		DIMENSION STYLE MM ONLY		SCALE ---	DESIGN UNITS METRIC	THIRD ANGLE PROJECTION
	10 UNDER	±0.2	DRAWN BY H.SHIMABUKUR	DATE '04/31/17	TITLE 1.0 FPC CONN ZIF FOR SMT (ST)WITH TAPE -LEAD FREE-		
	10 OVER 30 UNDER	±0.25	CHECKED BY K.TOJO	DATE '04/31/17			
	30 OVER	±0.3	APPROVED BY M.SASAO	DATE '04/31/17	MOLEX INCORPORATED DOCUMENT NO. SD-52610-034		
ANGULAR	±3 °	MATERIAL NO. ENTER PART		SHEET NO. 1 OF 2			
DRAFT WHERE APPLICABLE MUST REMAIN WITHIN DIMENSIONS		SIZE A3		THIS DRAWING CONTAINS INFORMATION THAT IS PROPRIETARY TO MOLEX INCORPORATED AND SHOULD NOT BE USED WITHOUT WRITTEN PERMISSION			



注記 (NOTES):

- 材料 (MATERIAL)
ハウジング (HOUSING): 46NYLON, UL94V-0
アクチュエータ (ACTUATOR): PPS, UL94V-0
ターミナル (TERMINAL): リン青銅、ニッケル下地、錫-ビスマスメッキ (t0.32)
PHOS-BR0. TIN-BISMUTH OVER NICKEL PLATED Ⓐ
- エンボステープ梱包時は、アクチュエータがロックした状態とする。
IN THE PACKAGE, ACTUATOR OF PART NO. 52610-**-59 SHOULD BE LOCKED.
- Ⓐ ソルダータール半田付け面のズレ量は、基準面 [F] に対し上方向 0.05 MAX, 下方向 0.15 MAX. とする。
MISALIGNMENT OF SOLDER TAILS FROM [F] UPPER DIRECTION: 0.05 MAX., LOWER DIRECTION: 0.15 MAX.
- Ⓐ 偶数極に適用。
APPLY FOR EVEN CIRCUIT.
- 本製品は 52610-**-57 の鉛フリー品である。
THIS PRODUCT IS LEAD FREE OF 52610-**-57

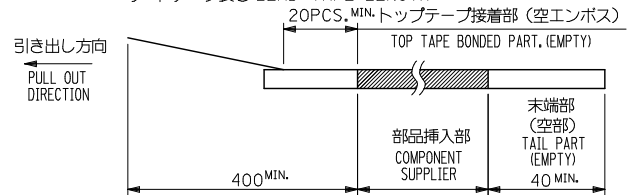
36.6	34.85	31.2	29	52610-3059	30
35.6	33.85	30.2	28	-2959	29
34.6	32.85	29.2	27	-2859	28
33.6	31.85	28.2	26	-2759	27
32.6	30.85	27.2	25	-2659	26
31.6	29.85	26.2	24	-2559	25
30.6	28.85	25.2	23	-2459	24
29.6	27.85	24.2	22	-2359	23
28.6	26.85	23.2	21	-2259	22
27.6	25.85	22.2	20	-2159	21
26.6	24.85	21.2	19	-2059	20
25.6	23.85	20.2	18	-1959	19
24.6	22.85	19.2	17	-1859	18
23.6	21.85	18.2	16	-1759	17
22.6	20.85	17.2	15	-1659	16
21.6	19.85	16.2	14	-1559	15
20.6	18.85	15.2	13	-1459	14
19.6	17.85	14.2	12	-1359	13
18.6	16.85	13.2	11	-1259	12
17.6	15.85	12.2	10	-1159	11
16.6	14.85	11.2	9	-1059	10
15.6	13.85	10.2	8	-0959	9
14.6	12.85	9.2	7	-0859	8
13.6	11.85	8.2	6	-0759	7
12.6	10.85	7.2	5	52610-0659	6
D	(C)	B	(A)	MATERIAL NO.	CKT.

REVISED EC NO. J2006-0190 DRW: H.YAJIMA CHK: N. UKITA APP: N. UKITA 2005/07/27 2005/07/27 2005/08/02	GENERAL TOLERANCES (UNLESS SPECIFIED)		DIMENSION STYLE MM ONLY		SCALE ---	DESIGN UNITS METRIC	THIRD ANGLE PROJECTION
	10 UNDER	± 0.2	DRAWN BY H. SHIMABUKUR	DATE '04/31/17	TITLE 1.0 FPC CONN ZIF FOR SMT (ST) WITH TAPE -LEAD FREE-		
	10 OVER 30 UNDER	± 0.25	CHECKED BY K. TOJO	DATE '04/31/17	MOLEX INCORPORATED		
	30 OVER	± 0.3	APPROVED BY M. SASAO	DATE '04/31/17	MATERIAL NO. ENTER PART DOCUMENT NO. SD-52610-034 SHEET NO. 2 OF 2		
ANGULAR ± 3 °		DRAFT WHERE APPLICABLE MUST REMAIN WITHIN DIMENSIONS		THIS DRAWING CONTAINS INFORMATION THAT IS PROPRIETARY TO MOLEX INCORPORATED AND SHOULD NOT BE USED WITHOUT WRITTEN PERMISSION			

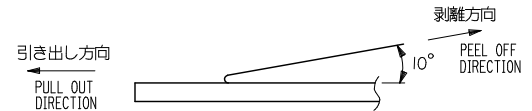
10 9 8 7 6 5 4 3 2 1

NOTES

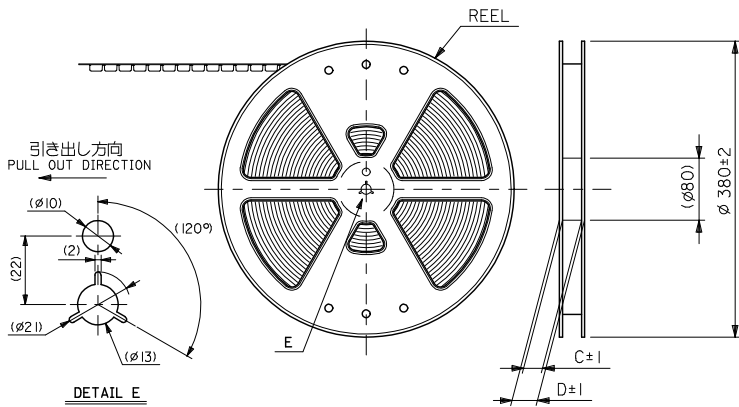
1. 梱包数量：1000個/リール
NUMBER OF CONNECTORS : 1000PCS/REEL
2. リードテープ長さ LEAD TAPE LENGTH



3. トップテープの剥離強度：0.1N ~ 1.3N(10gf ~ 130gf)
(剥離方向は下図参照)
尚、本規格値は出荷時に適用。(但し、輸送時に剥離が発生しないこと。)
PEELING OFF FORCE OF TOP TAPE : 0.1N ~ 1.3N(10gf ~ 130gf)
(PEELING DIRECTION AS SHOWN IN FOLLOWING FIG.)
THIS REQUIREMENT SHOULD BE APPLIED AT SHIPMENT.
PEEL OFF SHOULD NOT BE ALLOWED ,DURING TRANSPORTATION.



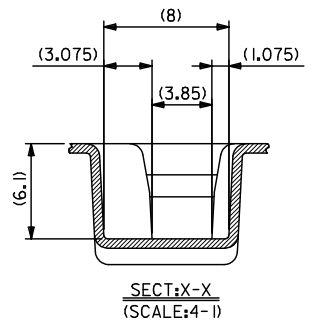
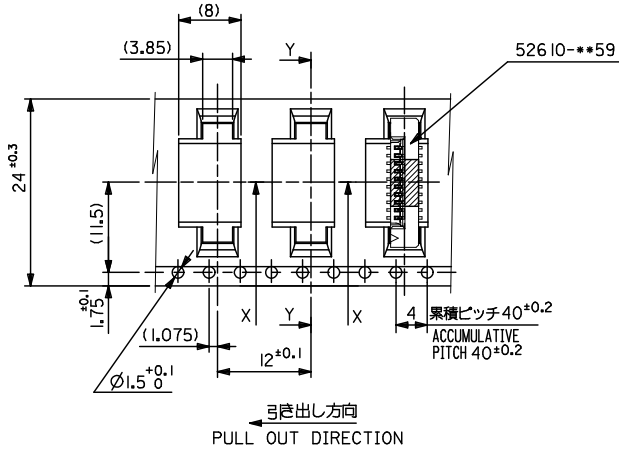
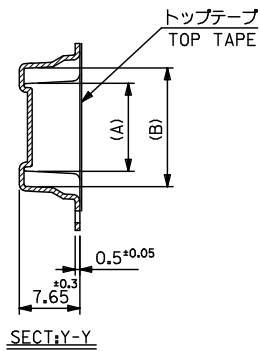
4. 52610-**-59のアクチュエータはハウジング内に押し下げた状態とする。
詳細寸法については 製品単体図面を参照下さい。
ACTUATOR OF PART NO. 52610-**-59 SHOULD BE LOCKED.
FOR DETAIL OF CONNECTOR DIMENSIONS, PLEASE SEE THE DRAWING OF ITSELF.
5. 材料 (MATERIAL)
キャリアテープ (CARRIER TAPE) : ポリプロピレン (POLYPROPYLENE)
トップテープ (TOPTAPE) : PET , PE , PEF
リール (REEL) : ポリスチレン (PS) <リサイクル材を含む>
POLYSTYRENE(PS) <RECYCLE MATERIAL CONTAINED>
6. 本製品は 52610-**-94 の鉛フリー品である。
THIS PRODUCT IS LEAD FREE OF 52610-**-94
7. 本製品は乾燥剤入り、ハイバリアパッケージ仕様である。
THIS PRODUCT IS HIGH BARRIER PACKAGE WITH DESICCANT.



52610-**75 MODEL NO.

REVISED EC NO: J2009-2061 DRAWN BY CHYKOHMATSUOTO APPROVED BY APPREHNIKITA	DESCRIPTION 2009/05/20 2009/05/21 2009/05/21	GENERAL TOLERANCES (UNLESS SPECIFIED)		DIMENSION STYLE MM ONLY		SCALE ---	DESIGN UNITS METRIC	THIRD ANGLE PROJECTION	
		10 UNDER	±0.3	DRAWN BY H. SHIMABUKUR	DATE 2004/03/17	TITLE 1.0 FPC CONN SMT ZIF WITH TAPE EMBSTP PKG -LEAD FREE-			
		10 OVER 30 UNDER	±0.25	CHECKED BY K. TOJO	DATE 2004/03/17	MOLEX INCORPORATED DOCUMENT NO. SD-52610-035 SHEET NO. 1 OF 5			
		30 OVER	±0.2	APPROVED BY M. SASAO	DATE 2004/03/17				
ANGULAR ±3 °		DRAFT WHERE APPLICABLE MUST REMAIN WITHIN DIMENSIONS		MATERIAL NO. SEE TABLE		SIZE A3 THIS DRAWING CONTAINS INFORMATION THAT IS PROPRIETARY TO MOLEX INCORPORATED AND SHOULD NOT BE USED WITHOUT WRITTEN PERMISSION			

10 9 8 7 6 5 4 3 2 1

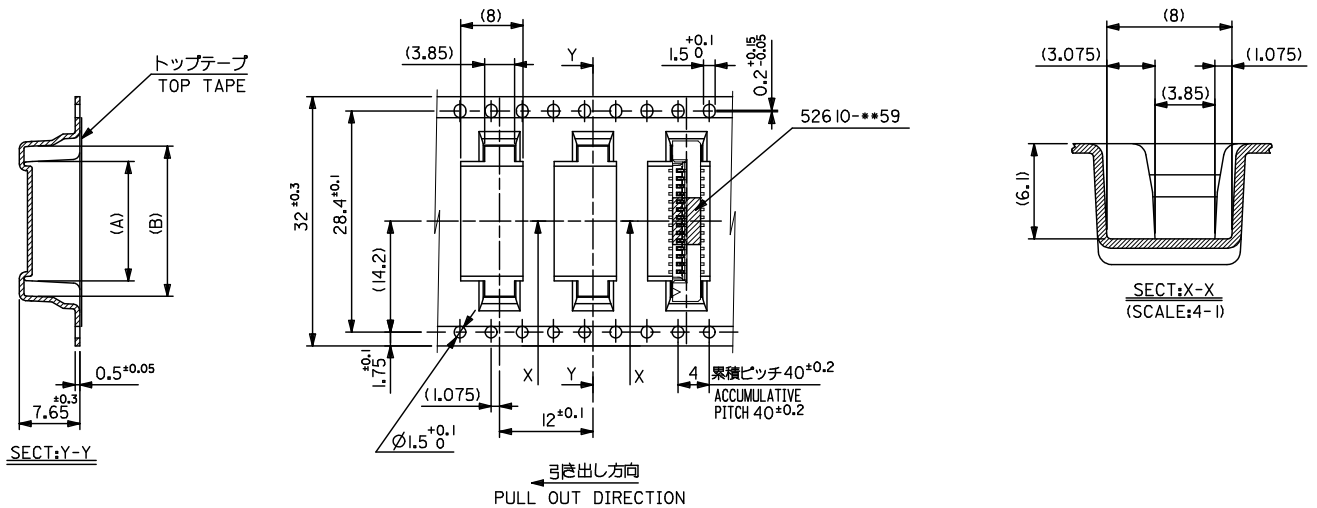


52610-***75
MODEL. NO.

24	29.4	25.4	15.25	11.32	52610-1075	10
			14.25	10.32	52610-0975	9
			13.25	9.32	52610-0875	8
			12.25	8.32	52610-0775	7
			11.25	7.32	52610-0675	6
			(B)	(A)	MATERIAL. NO.	種数 CKT.

REVISED EC NO: J2009-2061 DRAWN BY: CHYKHMATSUMOTO APPROVED BY: APPR:NIKIITA	DESCRIPTION 2009/05/20 2009/05/21 2009/05/21	GENERAL TOLERANCES (UNLESS SPECIFIED)		DIMENSION STYLE MM ONLY		SCALE ---	DESIGN UNITS METRIC	THIRD ANGLE PROJECTION	
		10 UNDER	± 0.3	DRAWN BY H. SHIMABUKUR	DATE 2004/03/17	TITLE 1.0 FPC CONN SMT ZIF WITH TAPE EMBSTP PKG -LEAD FREE-			
		10 OVER 30 UNDER	± 0.25	CHECKED BY K. TOJO	DATE 2004/03/17	MOLEX INCORPORATED			
		30 OVER	± 0.2	APPROVED BY M. SASAO	DATE 2004/03/17	DOCUMENT NO. SD-52610-035			
		ANGULAR	± 3 °	MATERIAL NO. SEE TABLE		SHEET NO. 2 OF 5			
DRAFT WHERE APPLICABLE MUST REMAIN WITHIN DIMENSIONS		SIZE A3		THIS DRAWING CONTAINS INFORMATION THAT IS PROPRIETARY TO MOLEX INCORPORATED AND SHOULD NOT BE USED WITHOUT WRITTEN PERMISSION					

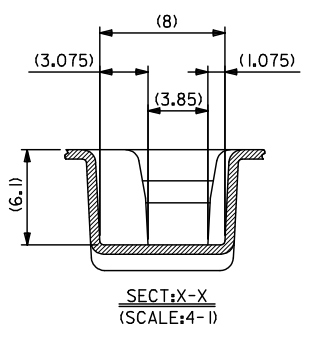
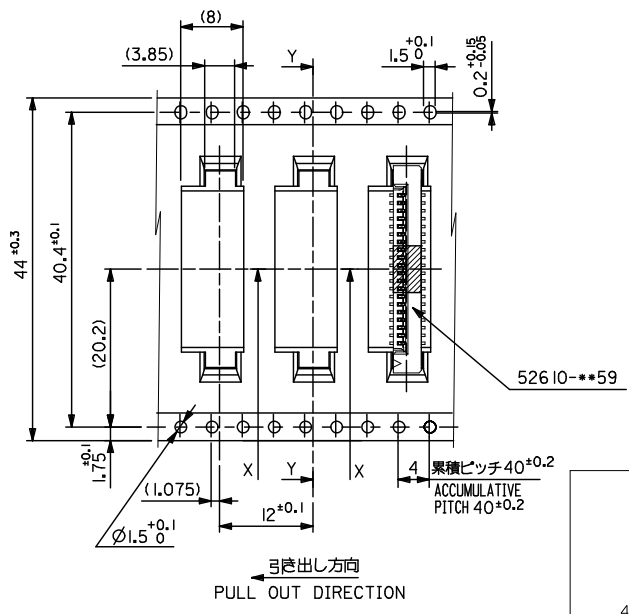
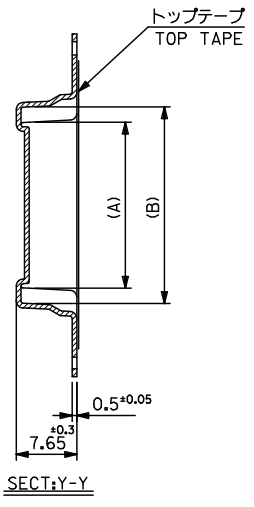
10 9 8 7 6 5 4 3 2 1



52610-***75 MODEL NO.	キャリアテープ幅 CARRIER TAPE WIDTH	D	C	20.25	16.32	52610-1575	15
				19.25	15.32	52610-1475	14
				18.25	14.32	52610-1375	13
				17.25	13.32	52610-1275	12
		(B)	(A)	MATERIAL. NO.		種数 CKT.	

REVISED EC NO: J2009-2061 DRAWN BY: DRWNTKON CHKD: H. MATSUMOTO APPR: R. ITO A	DESCRIPTION 2009/05/20 2009/05/21 2009/05/21	GENERAL TOLERANCES (UNLESS SPECIFIED)		DIMENSION STYLE MM ONLY		SCALE ---	DESIGN UNITS METRIC	THIRD ANGLE PROJECTION	
		10 UNDER	±0.3	DRAWN BY H. SHIMABUKUR	DATE 2004/03/17	TITLE 1.0 FPC CONN SMT ZIF WITH TAPE EMBSTP PKG -LEAD FREE-			
		10 OVER 30 UNDER	±0.25	CHECKED BY K. TOJO	DATE 2004/03/17	MOLEX INCORPORATED			
		30 OVER	±0.2	APPROVED BY M. SASAO	DATE 2004/03/17	DOCUMENT NO. SD-52610-035		SHEET NO. 3 OF 5	
		ANGULAR ±3°		DRAFT WHERE APPLICABLE MUST REMAIN WITHIN DIMENSIONS		MATERIAL NO. SEE TABLE			

10 9 8 7 6 5 4 3 2 1

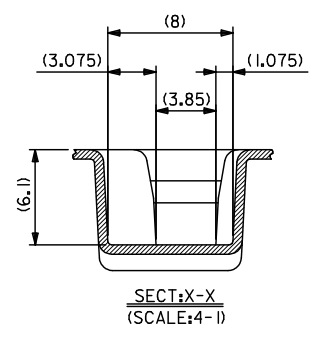
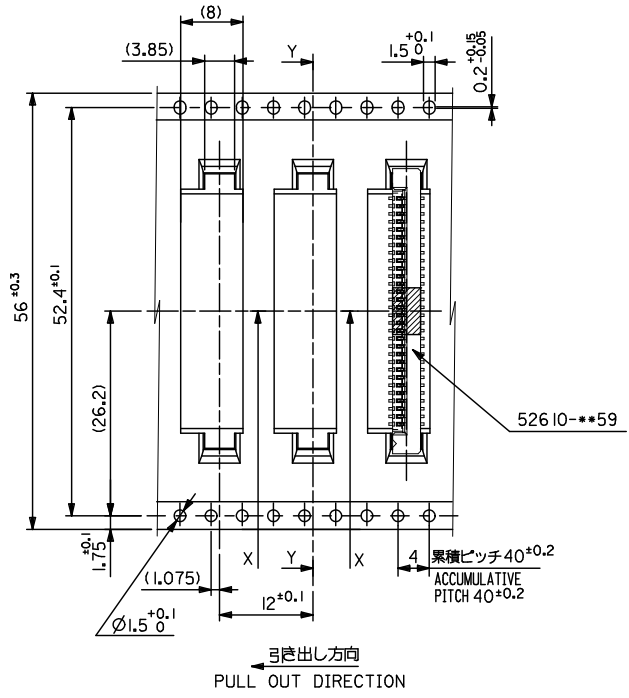
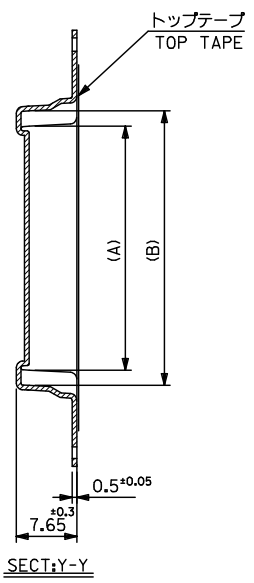


44	49.4	45.4	31.25	27.32	52610-2675	26
			30.25	26.32	52610-2575	25
			29.25	25.32	52610-2475	24
			28.25	24.32	52610-2375	23
			27.25	23.32	52610-2275	22
			26.25	22.32	52610-2175	21
			25.25	21.32	52610-2075	20
			24.25	20.32	52610-1975	19
			23.25	19.32	52610-1875	18
			22.25	18.32	52610-1775	17
			21.25	17.32	52610-1675	16

52610-***75	キャリアテープ幅	D	C	(B)	(A)	MATERIAL. NO.	種数
MODEL. NO.	CARRIER TAPE WIDTH						CKT.

REVISED E.C. NO: J2009-2061 DRAWN BY: DRWNTKON 2009/05/20 CHECKED BY: CHYKHMATSUMOTO 2009/05/21 APPROVED BY: APPRNTKITA 2009/05/21	GENERAL TOLERANCES (UNLESS SPECIFIED)		DIMENSION STYLE		SCALE	DESIGN UNITS	THIRD ANGLE PROJECTION
	10 UNDER	±0.3	MM ONLY		---	METRIC	☉
	10 OVER 30 UNDER	±0.25	DRAWN BY DATE		TITLE		
	30 OVER	±0.2	H. SHIMABUKUR 2004/03/17		1.0 FPC CONN SMT ZIF WITH TAPE EMBOSTP PKG -LEAD FREE-		
A DESCRIPTION DRAFT WHERE APPLICABLE MUST REMAIN WITHIN DIMENSIONS	ANGULAR ±3°		CHECKED BY DATE		MOLEX INCORPORATED		
	DRAFT WHERE APPLICABLE MUST REMAIN WITHIN DIMENSIONS		K. TOJO 2004/03/17		SD-52610-035		
	APPROVED BY DATE		MATERIAL NO.		DOCUMENT NO.		SHEET NO.
	M. SASAO 2004/03/17		SEE TABLE		SD-52610-035		4 OF 5
SIZE A3 THIS DRAWING CONTAINS INFORMATION THAT IS PROPRIETARY TO MOLEX INCORPORATED AND SHOULD NOT BE USED WITHOUT WRITTEN PERMISSION							

10 9 8 7 6 5 4 3 2 1



52610-***75	56	61.4	57.4	35.25	31.32	52610-3075	30
MODEL.NO.	キャリアテープ幅 CARRIER TAPE WIDTH	D	C	(B)	(A)	MATERIAL NO.	種数 CKT.
				33.25	29.32	52610-2875	28

REVISED EC NO: J2009-2061 DRAWN BY CHYKHMATSUMOTO APPROVED BY APPRENIKI TA	DESCRIPTION 2009/05/20 2009/05/21 2009/05/21	GENERAL TOLERANCES (UNLESS SPECIFIED)		DIMENSION STYLE MM ONLY		SCALE ---	DESIGN UNITS METRIC	THIRD ANGLE PROJECTION	
		10 UNDER	±0.3	DRAWN BY H. SHIMABUKUR	DATE 2004/03/17	TITLE 1.0 FPC CONN SMT ZIF WITH TAPE EMBSTP PKG -LEAD FREE-			
		10 OVER 30 UNDER	±0.25	CHECKED BY K. TOJO	DATE 2004/03/17	MOLEX INCORPORATED			
		30 OVER	±0.2	APPROVED BY M. SASAO	DATE 2004/03/17	DOCUMENT NO. SD-52610-035			
ANGULAR ±3 °		DRAFT WHERE APPLICABLE MUST REMAIN WITHIN DIMENSIONS		MATERIAL NO. SEE TABLE		SHEET NO. 5 OF 5			