



FCIconnect.com

Copyright FCI.

List of "SFW__R-3/4STAE1LF" customer document

DOCUMENT NO.	LIST
SC-SFW16	SPEC.
JSA96274	CAT.NO.TABLE FOR 1mm CONTACT SPACING SMT CONNECTOR (SFW__R-3/4STA__LF)
JSA96275	1mm SPACING SMT CONNECTOR (SFW__R-3STA__LF)
JSA96276	1mm SPACING SMT CONNECTOR (SFW__R-4STA__LF)
JSA96277	CAT.NO.TABLE FOR PLASTIC TAPE PACKAGED 1mm SPACING SMT CONNECTOR (SFW__R-3/4STAE1LF)
JSA96278	PLASTIC TAPE PACKAGED 1mm SPACING SMT CONNECTOR (SFW__R-3STAE1LF)
JSA96279	PLASTIC TAPE PACKAGED 1mm SPACING SMT CONNECTOR (SFW__R-4STAE1LF)
JSA96280	RECOMMENDED CABLE (FPC) (SFW__R-3/4STA__)
GS-20-130	HANDLING PROCEDURES

mat'l. code -		surface ISO 1302 58		tolerance ISO 406 ISO 1101		projection		product family 58RF		CODE JP	
ltr		ecn no		dr		date		tolerances, unless otherwise specified		title	
A		J05-0024		H.T		1/20/05		angles linear		1mm SPACING FPC CONNECTOR DOCUMENT LIST	
B		J06-0398		H.T		9/26/06		mm		(Cat. No. : SFW__R-3/4STAE1LF)	
C		J09-0363		M.Y		2009-10-8		scale X		dwg no	
D		J09-0380		M.Y		2009-10-27		dr <i>M.YA HASRITA 2009-10-27</i>		sheet 1 of 1 size	
								enr <i>M.YA HASRITA 2009-10-27</i>		JSA 96334	
								chr <i>S. W. H. 2009-10-27</i>		A4	
								appd <i>S. Budiman 2009-10-27</i>		type Product Customer Drawing	
sheet index		revision sheet		D		1				Rev. D	

form: A4

CAT. NO. & DIMENSIONS

NO. OF CONTACTS (n)	CAT. NO.	DIMENSIONS (NOTE2)			
		A ± 0.2	B ± 0.2	C ± 0.2	D ± 0.1
4	SFW4R-3/4STA_LF	9.8	8.6	3.0	3.92
5	SFW5R-3/4STA_LF	10.8	9.6	4.0	4.92
6	SFW6R-3/4STA_LF	11.8	10.6	5.0	5.92
7	SFW7R-3/4STA_LF	12.8	11.6	6.0	6.92
8	SFW8R-3/4STA_LF	13.8	12.6	7.0	7.92
9	SFW9R-3/4STA_LF	14.8	13.6	8.0	8.92
10	SFW10R-3/4STA_LF	15.8	14.6	9.0	9.92
11	SFW11R-3/4STA_LF	16.8	15.6	10.0	10.92
12	SFW12R-3/4STA_LF	17.8	16.6	11.0	11.92
13	SFW13R-3/4STA_LF	18.8	17.6	12.0	12.92
14	SFW14R-3/4STA_LF	19.8	18.6	13.0	13.92
15	SFW15R-3/4STA_LF	20.8	19.6	14.0	14.92
16	SFW16R-3/4STA_LF	21.8	20.6	15.0	15.92
17	SFW17R-3/4STA_LF	22.8	21.6	16.0	16.92
18	SFW18R-3/4STA_LF	23.8	22.6	17.0	17.92
19	SFW19R-3/4STA_LF	24.8	23.6	18.0	18.92
20	SFW20R-3/4STA_LF	25.8	24.6	19.0	19.92
21	SFW21R-3/4STA_LF	26.8	25.6	20.0	20.92
22	SFW22R-3/4STA_LF	27.8	26.6	21.0	21.92
23	SFW23R-3/4STA_LF	28.8	27.6	22.0	22.92
24	SFW24R-3/4STA_LF	29.8	28.6	23.0	23.92
25	SFW25R-3/4STA_LF	30.8	29.6	24.0	24.92
26	SFW26R-3/4STA_LF	31.8	30.6	25.0	25.92
27	SFW27R-3/4STA_LF	32.8	31.6	26.0	26.92
28	SFW28R-3/4STA_LF	33.8	32.6	27.0	27.92
29	SFW29R-3/4STA_LF	34.8	33.6	28.0	28.92
30	SFW30R-3/4STA_LF	35.8	34.6	29.0	29.92

CAT. NO. SFW (n) R - 3 ST A LF

SERIES NAME

NO. OF CONTACTS

RIGHT ANGLE TYPE

FOR FPC/FFC, WITH CABLE LOCK MECHANISM

CONTACT DIRECTION
3. LOWER CONTACT TYPE
4. UPPER CONTACT TYPE

FOR AUTOMATIC MOUNTING (SMT)

GOLD PLATING

PACKAGE STYLE

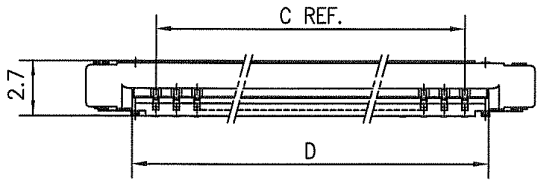
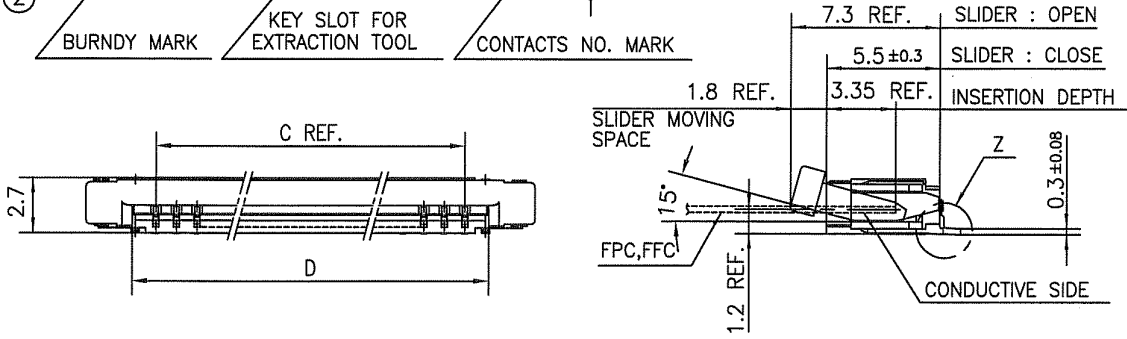
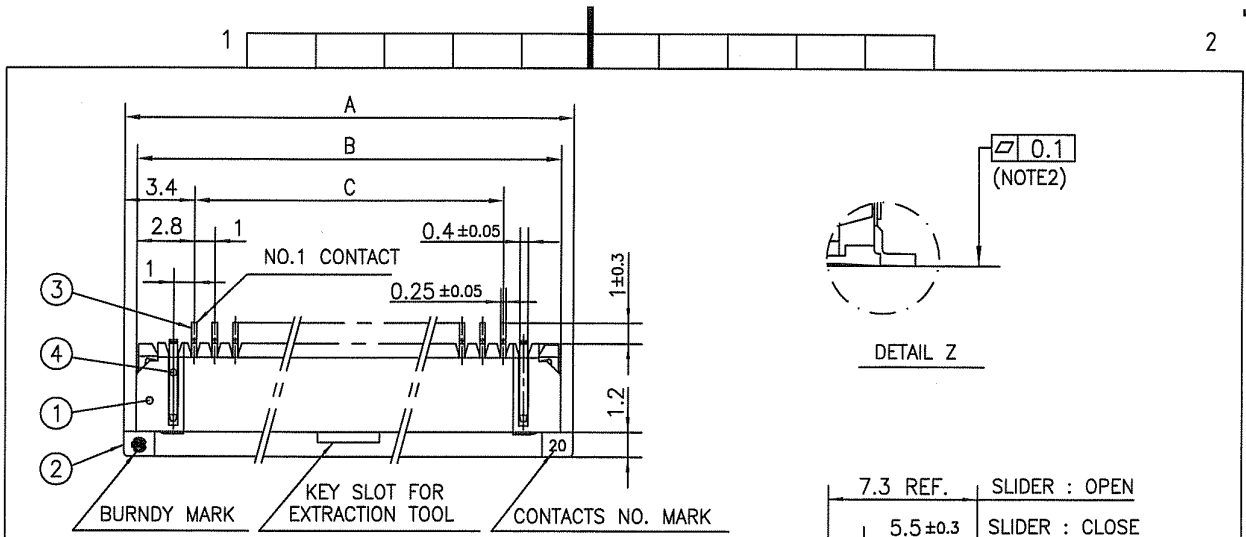
LEAD FREE

NOTES

1. THIS PRODUCT IS THE CONNECTOR USED FOR FPC AND COPE WITH AUTOMATIC MOUNTING (SMT).
2. SEE PART DRAWINGS FOR DIMENSIONS A~D.
3. THIS PRODUCT IS THE CONNECTOR WITH CABLE LOCK MECHANISM.

mat'l. code				surface 58 / tolerance ISO 1302 / ISO 406 / ISO 1101		projection		product family 58RF		CODE JP	
ltr				tolerances unless otherwise specified		mm		title			
ecn no				angles		linear		CAT NO. TABLE FOR 1mm SPACING SMT CONNECTOR (Cat. No. SFW__R-3/4STA__LF)			
dr				linear		scale X		dwg no sheet 1 of 1 size			
date				dr		engr		JSA 96274 A4			
A J05-0024 H.T. 1/20/05				M.Y.A.M.A.S.H.C.T.A		2009-10-8		type Product Customer Drawing			
B J06-0398 H.T. 9/26/06				M.Y.A.M.A.S.H.C.T.A		2009-10-8		Rev. c			
C J09-0363 M.Y. 2009-10-8				S.H.K.H.K.		2009-10-8					
				appd		S.H.K.H.K.		2009-10-8			
sheet index				revision C							
sheet 1											

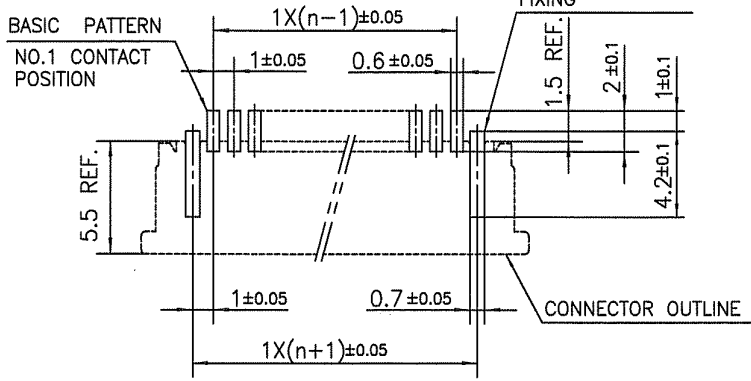
SC-SFW16 form: A4 JSA96275 96276 96277 96280



PT. NO.	PARTS NAME	MATERIAL	Q'TY	NOTE
1	HOUSING	PPS RESIN GLASS REINFORCED (UL94V-0)	1	COLOR:BLACK
2	SLIDER		1	COLOR:BROWN
3	CONTACT	PHOSPHOR BRONZE	n	CONTACT AREA : GOLD TARMINAL AREA : TIN
4	MOUNTING PLATE		2	PLATING:TIN

n : NO. OF CONTACTS

RECOMMENDED PC BOARD LAYOUT
(COMPONENT SIDE)

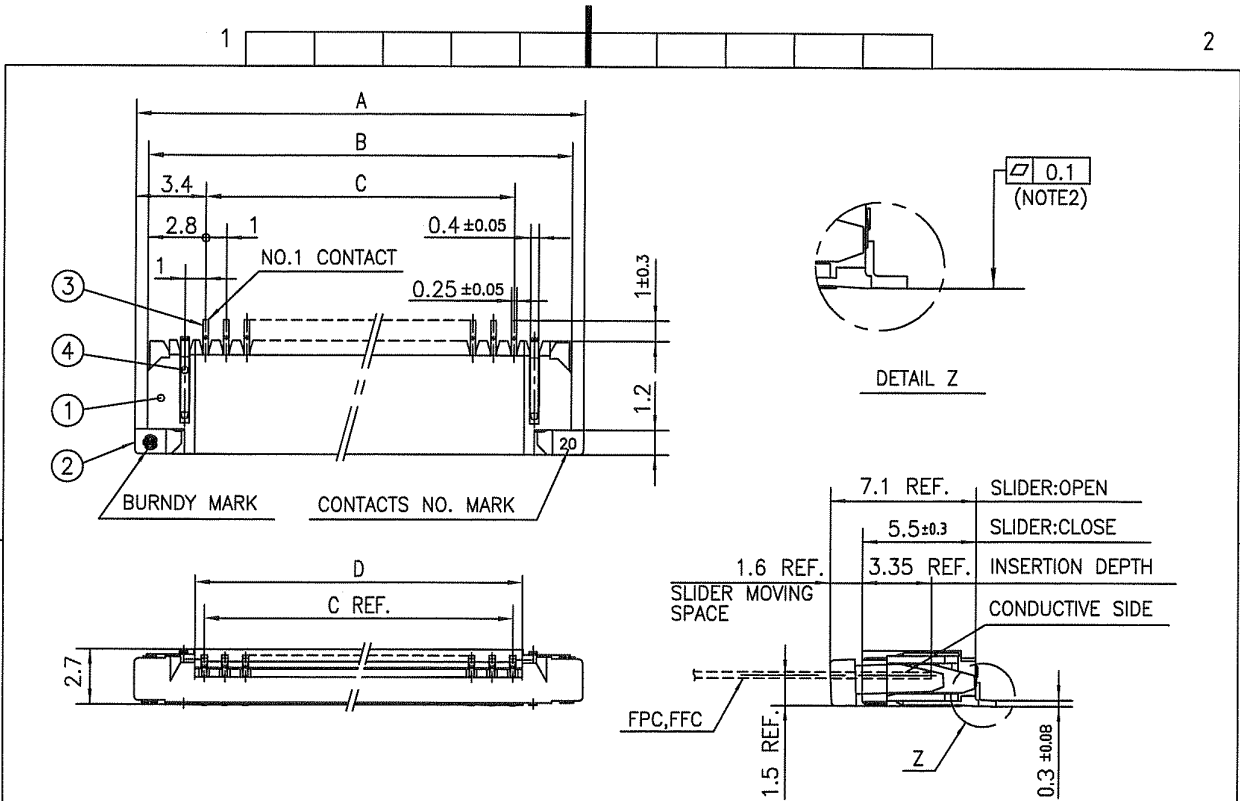


NOTES

1. THIS PRODUCT IS THE CONNECTOR USED FOR FPC AND COPEs WITH AUTOMATIC MOUNTING (SMT).
2. FLATNESS FOR CONTACT TERMINAL HOUSING MUST BE WITHIN TOLERANCE IN Z PORTION DETAILED DRAWING.
3. THIS PRODUCT IS LOWER CONTACT TYPE CONNECTOR WITH CABLE LOCK MECHANISM.
4. THIS PRODUCT MEETS EUROPEAN UNION DIRECTIVES AND OTHER COUNTRY REGULATIONS AS DESCRIBED IN GS-22-008.
5. THE HOUSING WILL WITHSTAND EXPOSURE TO 260°C PEAK TEMPERATURE FOR 10 SECONDS IN A REFLOW SOLDERING OVEN.

mat'l. code		surface 58 ISO 1302		tolerance ISO 406 ISO 1101		projection		product family 58RF		CODE JP	
ltr		ecn no		dr		date		tolerances unless otherwise specified		title	
A		J05-0024		H.T		1/20/05		±0.2		1mm SPACING SMT CONNECTOR (Cat. No. SFW__R-3STA__LF)	
B		J05-0736		H.T		10/28/05		mm			
C		J06-0398		H.T		9/26/06		scale X			
D		J09-0363		M.Y		2009-10-8		FCJ		dwg no sheet 1 of 1 size	
				dr		H. YAMASHITA 2009-10-8				JSA 96275 A4	
				enr		H. YAMASHITA 2009-10-8					
				chr		S. Ueda 2009-10-8					
				appd		S. Ueda 2009-10-8					
sheet index		revision		D						Rev. D	
D		sheet		1						D	

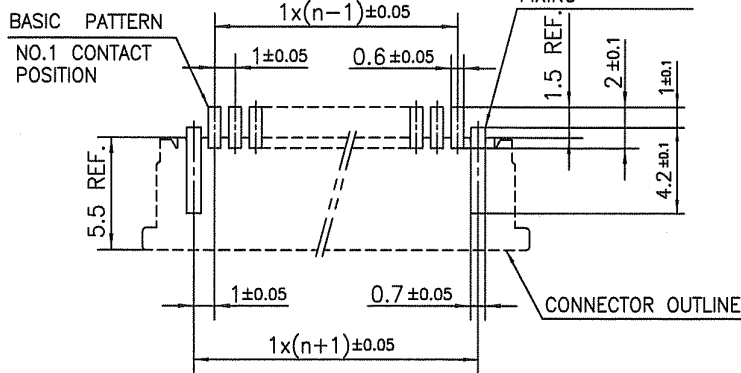
SC-SFW16 JSA96274 form: A4



PT. NO.	PARTS NAME	MATERIAL	Q'TY	NOTE
1	HOUSING	PPS RESIN GLASS REINFORCED (UL94V-0)	1	COLOR:BLACK
2	SLIDER	PPS RESIN GLASS REINFORCED (UL94V-0)	1	COLOR:BROWN
3	CONTACT	PHOSPHOR BRONZE	n	CONTACT AREA : GOLD TARMINAL AREA : TIN
4	MOUNTING PLATE		2	PLATING:TIN

n : NO. OF CONTACTS

RECOMMENDED PC BOARD LAYOUT
(COMPONENT SIDE)



NOTES

1. THIS PRODUCT IS THE CONNECTOR USED FOR FPC AND COPES WITH AUTOMATIC MOUNTING (SMT).
2. FLATNESS FOR CONTACT TERMINAL HOUSING MUST BE WITHIN TOLERANCE IN Z PORTION DETAILED DRAWING.
3. THIS PRODUCT IS UPPER CONTACT TYPE CONNECTOR WITH CABLE LOCK MECHANISM.
4. THIS PRODUCT MEETS EUROPEAN UNION DIRECTIVES AND OTHER COUNTRY REGULATIONS AS DESCRIBED IN GS-22-008.
5. THE HOUSING WILL WITHSTAND EXPOSURE TO 260°C PEAK TEMPERATURE FOR 10 SECONDS IN A REFLOW SOLDERING OVEN.

mat'l. code				surface 58 / tolerance ISO 1302 ✓ / ISO 406 / ISO 1101		projection		product family 58RF		CODE JP	
ltr ecn no dr date				tolerances unless otherwise specified		mm		title			
A J05-0024 H.T 1/20/05				angles linear ±0.2		mm		1mm SPACING SMT CONNECTOR (Cat. No. SFW__R-4STA__LF)			
B J05-0736 H.T 10/28/05						scale X		dwg no sheet 1 of 1 size			
C J06-0398 H.T 9/26/06						FCI		JSA 96276 A4			
D J09-0363 M.Y 2009-10-8				dr H.YAMASHITA 2009-10-8				type Product Customer Drawing			
				enr M.YAMASHITA 2009-10-8				Rev. D			
				chr S. Nishitani 2009-10-8							
				appd S. Okada 2009-10-8							
sheet index		revision D									
sheet 1											

SC-SFW16 JSA96274 form: A4

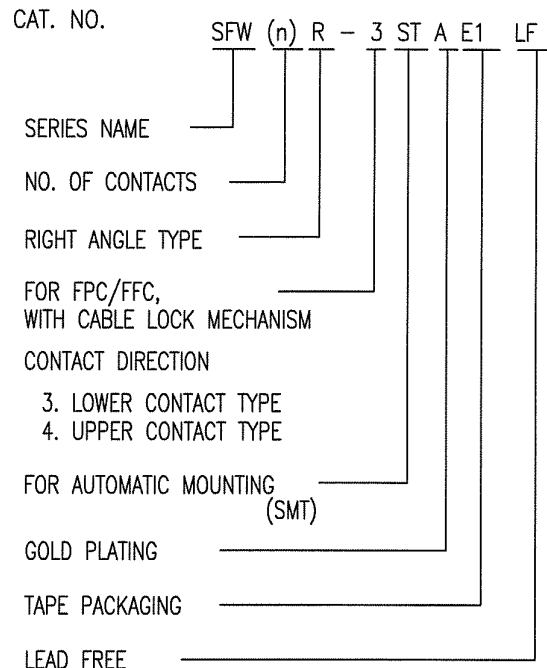


FCIconnect.com

Copyright FCI.

CAT. NO. & DIMENSIONS

NO. OF CONTACTS (n)	CAT. NO. (NOTE2)	DIMENSIONS (NOTE3)		
		E ± 0.5	F ± 0.3	G ± 0.1
4	SFW4R-3/4STAE1LF	20.4	16	—
5	SFW5R-3/4STAE1LF	28.4	24	—
6	SFW6R-3/4STAE1LF	28.4	24	—
7	SFW7R-3/4STAE1LF	28.4	24	—
8	SFW8R-3/4STAE1LF	28.4	24	—
9	SFW9R-3/4STAE1LF	28.4	24	—
10	SFW10R-3/4STAE1LF	28.4	24	—
11	SFW11R-3/4STAE1LF	28.4	24	—
12	SFW12R-3/4STAE1LF	28.4	24	—
13	SFW13R-3/4STAE1LF	36.4	32	28.4
14	SFW14R-3/4STAE1LF	36.4	32	28.4
15	SFW15R-3/4STAE1LF	36.4	32	28.4
16	SFW16R-3/4STAE1LF	36.4	32	28.4
17	SFW17R-3/4STAE1LF	48.4	44	40.4
18	SFW18R-3/4STAE1LF	48.4	44	40.4
19	SFW19R-3/4STAE1LF	48.4	44	40.4
20	SFW20R-3/4STAE1LF	48.4	44	40.4
21	SFW21R-3/4STAE1LF	48.4	44	40.4
22	SFW22R-3/4STAE1LF	48.4	44	40.4
23	SFW23R-3/4STAE1LF	48.4	44	40.4
24	SFW24R-3/4STAE1LF	48.4	44	40.4
25	SFW25R-3/4STAE1LF	48.4	44	40.4
26	SFW26R-3/4STAE1LF	48.4	44	40.4
27	SFW27R-3/4STAE1LF	48.4	44	40.4
28	SFW28R-3/4STAE1LF	60.4	56	52.4
29	SFW29R-3/4STAE1LF	60.4	56	52.4
30	SFW30R-3/4STAE1LF	60.4	56	52.4



NOTES

1. THIS PRODUCT IS THE CONNECTOR USED FOR FPC AND COPES WITH AUTOMATIC MOUNTING (SMT).
2. THIS CATALOG NO. INDICATES PLASTIC TAPE PACKAGED CONNECTOR.
3. SEE PART DRAWINGS FOR DIMENSIONS E~G.
4. THIS PRODUCT IS THE CONNECTOR WITH CABLE LOCK MECHANISM.

mat'l. code				surface 58/ISO 1302	tolerance ISO 406/ISO 1101	projection	product family 58RF	CODE JP	
ltr	ecn no	dr	date	tolerances unless otherwise specified		mm	title		
A	J05-0024	H.T	1/20/05	angles	linear		CAT NO. TABLE FOR PLASTIC TAPE PACKAGED 1mm SPACING SMT CONNECTOR (Cat. No. SFW__R-3/4STAE1LF)		
B	J06-0398	H.T	9/26/06				scale X		
C	J09-0363	M.Y	2009-10-8			dwg no		sheet 1 of 1 size	
				dr	M.YAHASHI TA	2009-10-8	JSA 96277		A4
				enr	M.YAHASHI TA	2009-10-8	type		Product Customer Drawing
				chr	P. Withm	2009-10-8			
				appd	P. Chidami	2009-10-8			
sheet index	revision	C							Rev. C
	sheet	1							

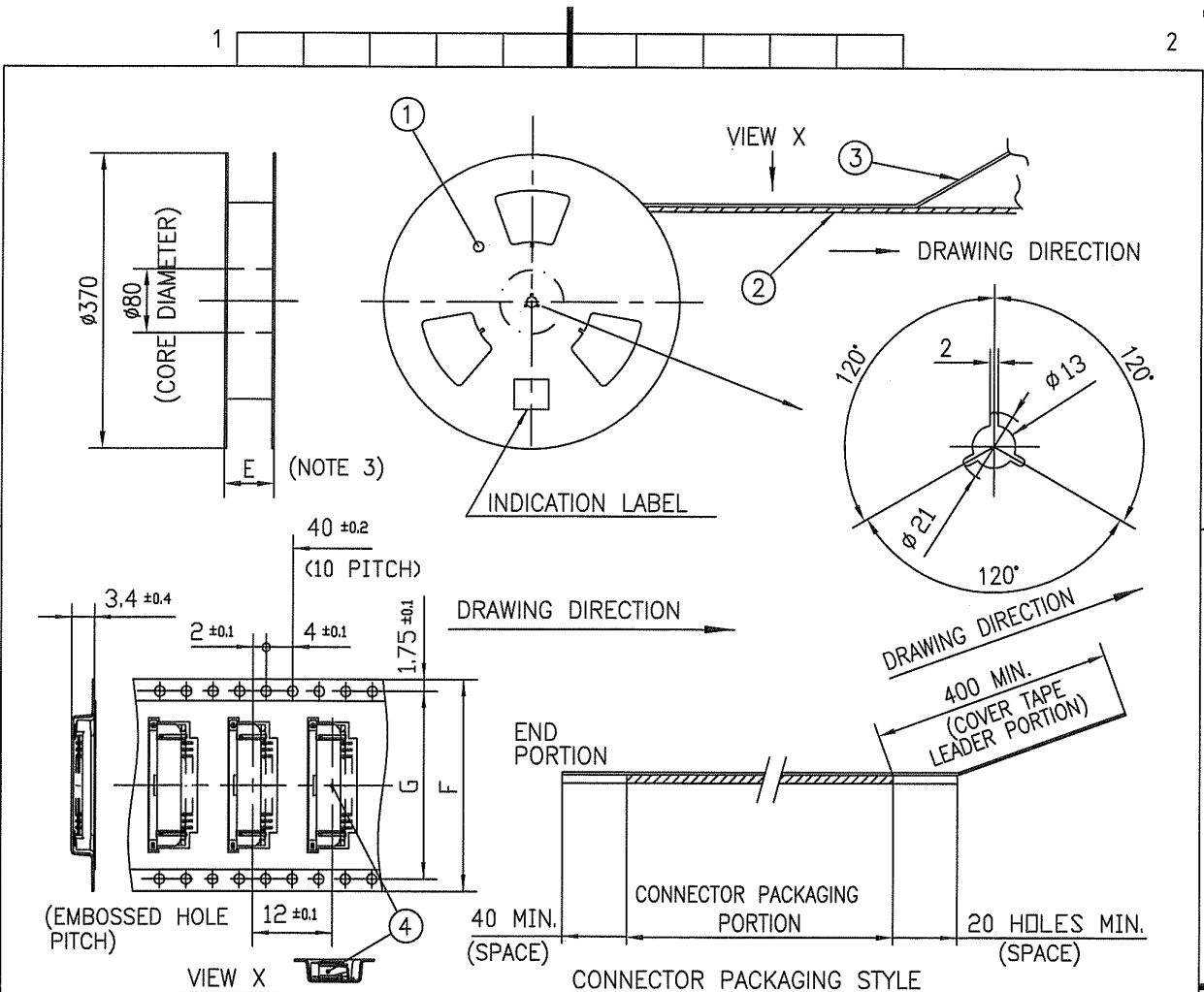
SC-SFW16 form: A4 JSA96274 96278 96279



FCIconnect.com

Copyright FCI.





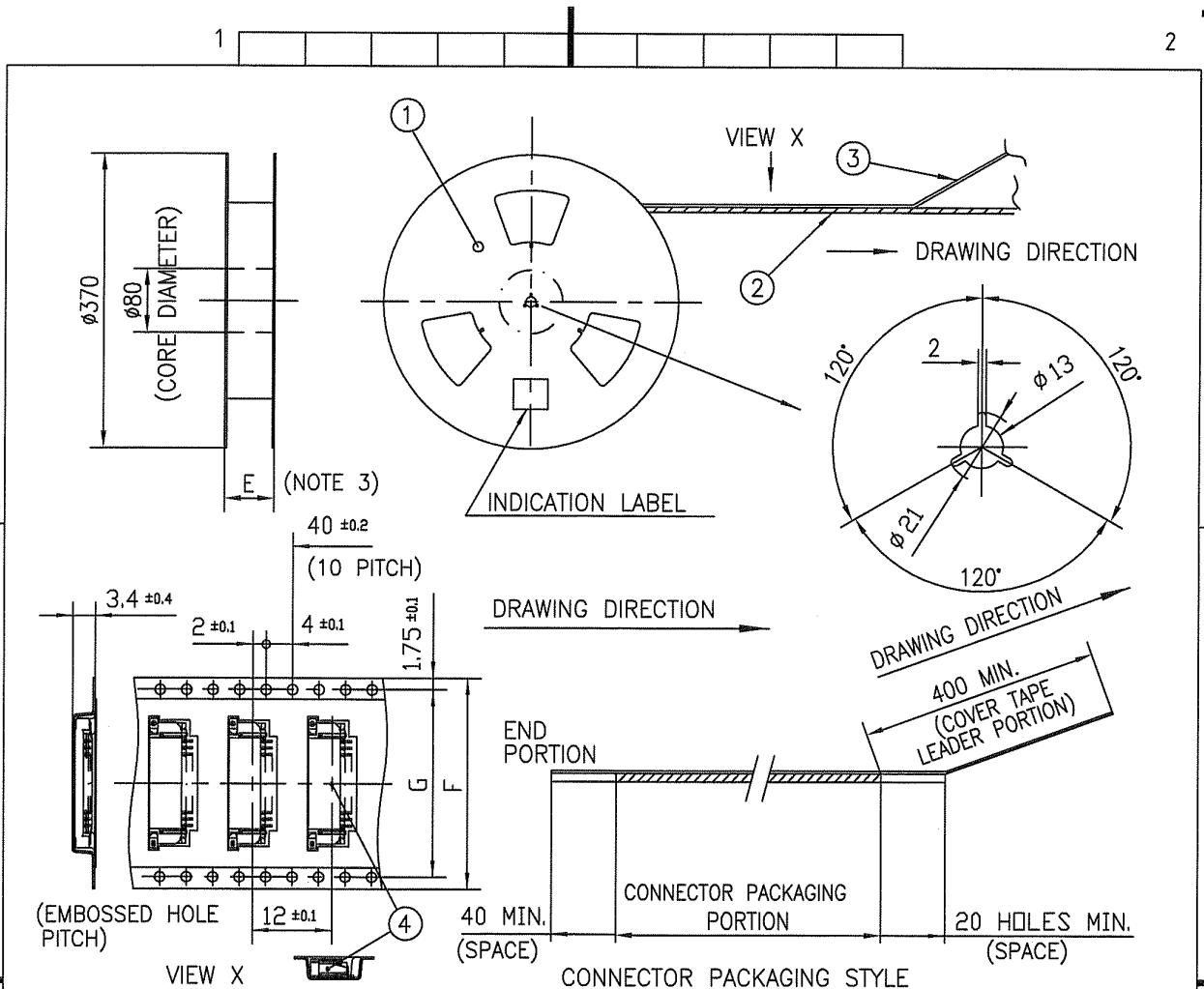
PT. NO.	PARTS NAME	CAT. NO.	MATERIAL	Q'TY	NOTE
1	REEL	—	CARDBOARD	1	COLOR:WHITE
2	PLASTIC (EMBOSS) TAPE	—	PET	—	COLOR:TRANSPARENCY
3	COVER	—	POLYESTER	—	COLOR:TRANSPARENCY
4	CONNECTOR	SFW_R-3STA_LF	SEE ATTACHED DWG.	2000	LOWER CONTACT TYPE

NOTES

1. THIS IS PLASTIC TAPE PACKAGED CONNECTOR WITH CABLE LOCK MECHANISM USED FOR FPC AND COPES WITH AUTOMATIC MOUNTING (SMT).
2. SEE JIS C 0806 (PACKING OF ELECTRONIC COMPONENTS ON CONTINUOUS TAPES (SURFACE MOUNTING DEVICES)) FOR SHAPE AND DIMENSIONS OF PLASTIC (EMBOSS) TAPE AND REEL.
3. E DIMENSION IS PORTION OF THE CORE.

mat'l. code				surface ISO 1302 <input checked="" type="checkbox"/>	tolerance ISO 406 <input checked="" type="checkbox"/>	projection	product family 58RF	CODE JP
ltr	ecn no	dr	date	tolerances unless otherwise specified		mm	title PLASTIC TAPE PACKAGED 1mm SPACING SMT CONNECTOR (Cat. No. SFW__R-3STAE1LF)	
A	J05-0024	H.T	1/20/05	angles	linear ±5			
B	J06-0398	H.T	9/26/06	±5'	scale X			
C	J09-0363	M.Y	2009-10-8	dr	M.YAMASHITA 2009-10-8		sheet 1 of 1 size	
				enr	M.YAMASHITA 2009-10-8		JSA 96278 A4	
				chr	S. Chelam 2009-10-8		type Product Customer Drawing	
				appd	S. Chelam 2009-10-8			
sheet index	revision	C						Rev. C
	sheet	1						

SC-SFW16 JSA96277
form: A4



PT. NO.	PARTS NAME	CAT. NO.	MATERIAL	Q'TY	NOTE
1	REEL	—	CARDBOARD	1	COLOR:WHITE
2	PLASTIC (EMBOSS) TAPE	—	PET	—	COLOR:TRANSPARENCY
3	COVER	—	POLYESTER	—	COLOR:TRANSPARENCY
4	CONNECTOR	SFW__R-4STA_LF	SEE ATTACHED DWG.	2000	UPPER CONTACT TYPE

NOTES

- THIS IS PLASTIC TAPE PACKAGED CONNECTOR WITH CABLE LOCK MECHANISM USED FOR FPC AND COPES WITH AUTOMATIC MOUNTING (SMT).
- SEE JIS C 0806 (PACKING OF ELECTRONIC COMPONENTS ON CONTINUOUS TAPES (SURFACE MOUNTING DEVICES)) FOR SHAPE AND DIMENSIONS OF PLASTIC (EMBOSS) TAPE AND REEL.
- E DIMENSION IS PORTION OF THE CORE.

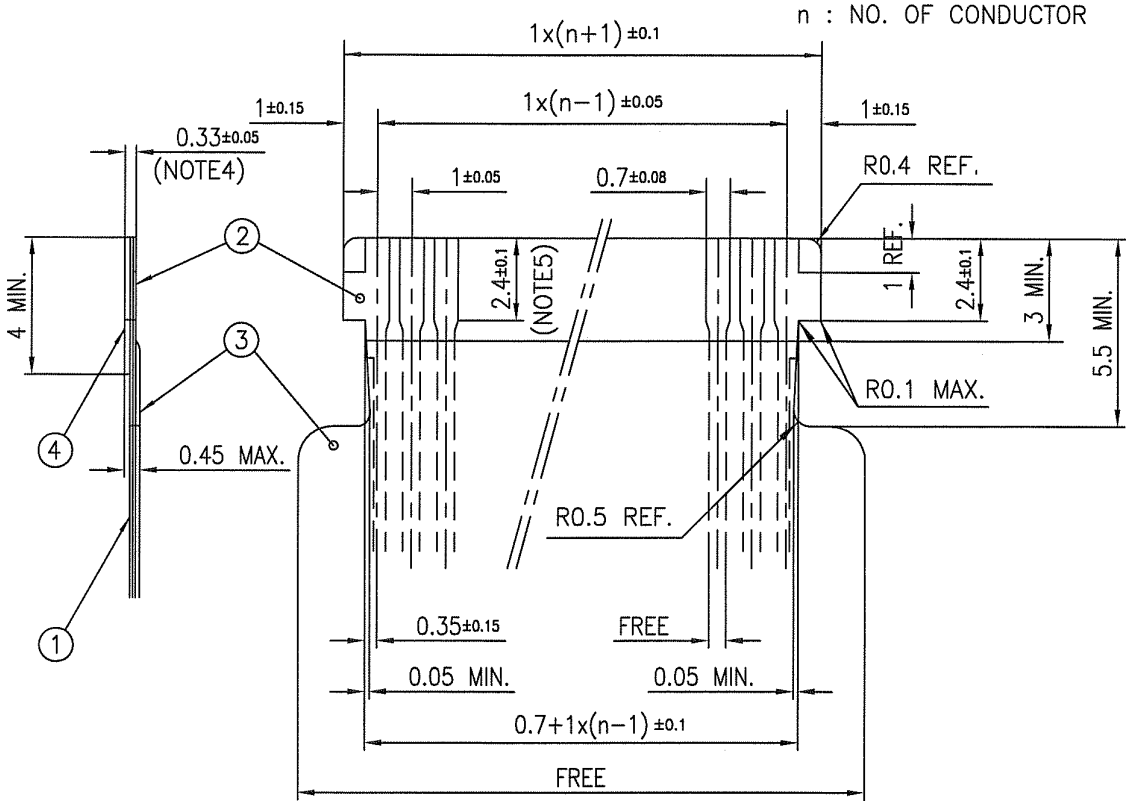
mat'l. code		surface ISO 1302 <input checked="" type="checkbox"/>		tolerance ISO 406 ISO 1101		projection		product family 58RF		CODE JP	
ltr		ecn no		dr		date		title		PLASTIC TAPE PACKAGED 1mm SPACING SMT CONNECTOR (Cat. No. SFW__R-4STAE1LF)	
A		J05-0024		H.T.		1/20/05		mm		scale X	
B		J06-0398		H.T.		9/26/06		mm		scale X	
C		J09-0363		M.Y.		2009-10-8		mm		scale X	
		dr		H. YAHAGITA		2009-10-8		FCJ		dwg no sheet 1 of 1 size	
		enr		H. YAHAGITA		2009-10-8				JSA 96279 A4	
		chr		S. WILSON		2009-10-8				type Product Customer Drawing	
		appd		S. Chikawa		2009-10-8				Rev. C	
sheet index		revision		C							
sheet		sheet		1							

SC-SFW16 form: A4 JSA96277



Copyright FCI.

RECOMMENDED CABLE (FPC)



PT. NO.	PARTS NAME	MATERIAL	THICKNESS (um)
1	BASE FILM	POLYIMIDE OR POLYESTER OR EQUAL	25
2	CONDUCTOR	COPPER FOIL(PLATING : GOLD)	35
3	OVERLAY	POLYIMIDE OR POLYESTER OR EQUAL	—
4	SUPPORTING TAPE	POLYESTER OR POLYIMIDE OR EQUAL	188

NOTES

1. THIS DRAWING INDICATES THE FPC USED THE CONNECTOR WITH CABLE LOCK MECHANISM.
2. NO BURR AT EACH PORTION.
3. NO PEELING IN COMMON USE.
4. TOTAL THICKNESS LIMIT OF EACH MATERIAL (INCLUDING ADHESIVE AGENT) IS SPECIFIED.
5. THIS DIMENSION INDICATES THE RANGE FOR 0.7 ±0.08 CONDUCTOR WIDTH.

mat'l. code		surface 58 ISO 1302 ✓		tolerance ISO 406 ISO 1101		projection ⊕		product family 58RF		CODE JP	
ltr	ecn no	dr	date	tolerances unless otherwise specified		mm		title RECOMMENDED CABLE (Cat. No. SFW__R-3/4STA__)			
A	J05-0024	H.T	1/20/05	angles	linear	mm					
B	J06-0398	H.T	9/26/06			mm					
C	J09-0363	M.Y	2009-10-8			scale X					
		dr	H.YAMASHITA	2009-10-8		FCI		dwg no		sheet 1 of 1 size	
		enr	H.YAMASHITA	2009-10-8				JSA 96280		A4	
		chr	S. M. K.	2009-10-8				type		Product Customer Drawing	
		appd	S. M. K.	2009-10-8							
sheet index	revision sheet	C	1								Rev. C

form: A4

1

2



FCIconnect.com

Copyright FCI.

