

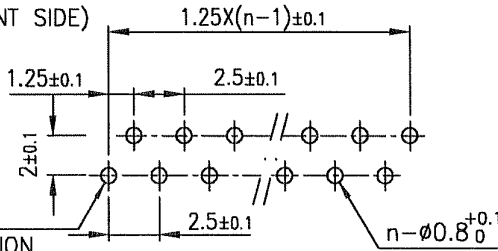
| PT. NO. | PARTS NAME | MATERIAL                   | Q'TY | NOTE                             |
|---------|------------|----------------------------|------|----------------------------------|
| 1       | HOUSING    | PET RESIN GLASS REINFORCED | 1    | COLOR : BLACK                    |
| 2       | SLIDER     | (UL94V-0)                  | 1    | COLOR : GRAY                     |
| 3       | CONTACT    | PHOSPHOR BRONZE            | n    | PLATING : TIN<br>Ni UNDER PLATED |

n : NO. OF CONTACTS

RECOMMENDED PC BOARD

THICKNESS : 0.8~1.6

HOLE PATTERN (COMPONENT SIDE)



BASIC HOLE

NO.1 CONTACT POSITION

THIS PRODUCT MEETS EUROPEAN UNION DIRECTIVES AND OTHER COUNTRY REGULATIONS AS DESCRIBED IN GS-22-008.

THE HOUSING WILL WITHSTAND EXPOSURE TO 260°C PEAK TEMPERATURE FOR 10 SECONDS IN A WAVE SOLDER APPLICATION WITH A 1.6mm THICK CIRCUIT BOARD.

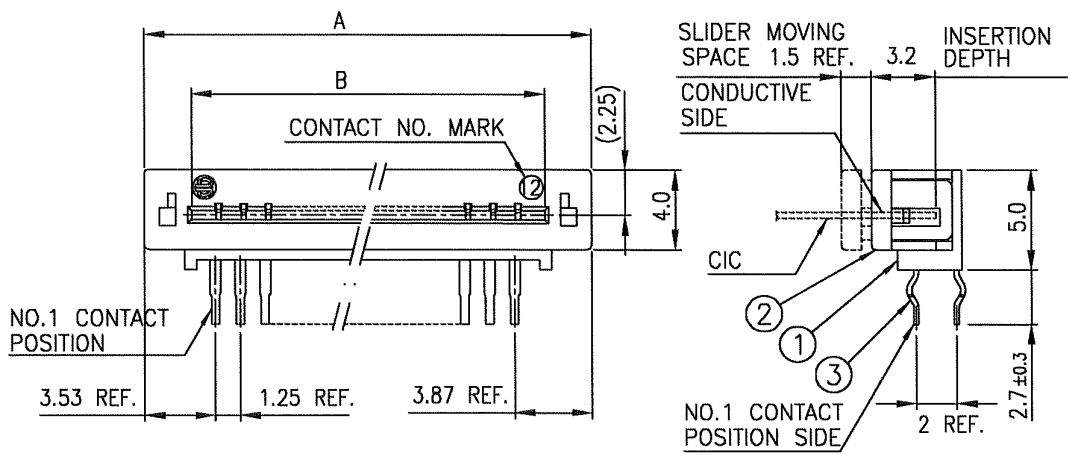
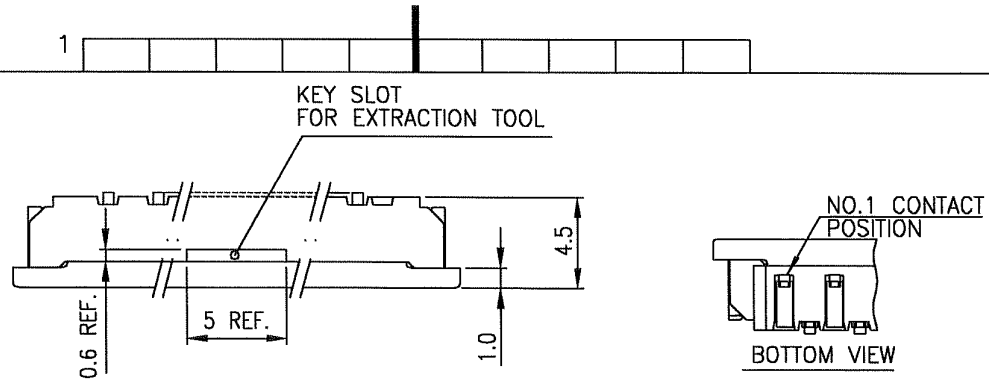
|             |                |  |          |                                       |                           |                     |  |  |  |        |
|-------------|----------------|--|----------|---------------------------------------|---------------------------|---------------------|--|--|--|--------|
| mat'l. code |                | surface 58 / tolerance ISO 1302 / ISO 406 / ISO 1101 |          | projection                            |                           | product family 58KF |  | CODE JP  |  |        |
| ltr         | ecn no         | dr   | date     | tolerances unless otherwise specified |                           | title               |  | 1.25mm SPACING CONNECTOR FOR CIC (Cat. No. SLP__S-5LF) |  |        |
| A           | J05-0713       | H.T  | 10/21/05 | angles                                | ±0.2                      | mm                  |  | dwg no sheet 1 of 1 size                               |  |        |
| B           | J06-0504       | H.T  | 11/29/06 | linear                                |                           | scale X             |  | JSA 96778 A4   |  |        |
|             |                |  |          | dr                                    | <i>H. Shoyu</i> 11/29/06  |                     |  | type Product Customer Drawing                          |  |        |
|             |                |  |          | enr                                   | <i>H. Shoyu</i> 11/29/06  |                     |  |  |  |        |
|             |                |  |          | chr                                   | <i>K. Shoyu</i> 11/29/06  |                     |  |  |  |        |
|             |                |  |          | appd                                  | <i>S. Madama</i> 12/11/06 |                     |  |  |  |        |
| sheet index | revision sheet | B  | 1        |                                       |                           |                     |  |  |  | Rev. B |

SC-SLP06 form: A4 JSA96777



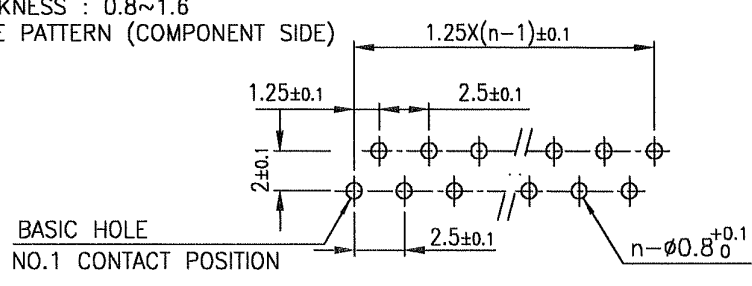
FCIconnect.com

Copyright FCI.



| PT. NO. | PARTS NAME | MATERIAL                                | Q'TY | NOTE                             |
|---------|------------|---|------|----------------------------------|
| 1       | HOUSING    | PET RESIN GLASS REINFORCED<br>(UL94V-0) | 1    | COLOR : BLACK                    |
| 2       | SLIDER     |   | 1    | COLOR : GRAY                     |
| 3       | CONTACT    | PHOSPHOR BRONZE                         | n    | PLATING : TIN<br>Ni UNDER PLATED |

RECOMMENDED PC BOARD THICKNESS : 0.8~1.6 HOLE PATTERN (COMPONENT SIDE)



THIS PRODUCT MEETS EUROPEAN UNION DIRECTIVES AND OTHER COUNTRY REGULATIONS AS DESCRIBED IN GS-22-008. THE HOUSING WILL WITHSTAND EXPOSURE TO 260°C PEAK TEMPERATURE FOR 10 SECONDS IN A WAVE SOLDER APPLICATION WITH A 1.6mm THICK CIRCUIT BOARD.

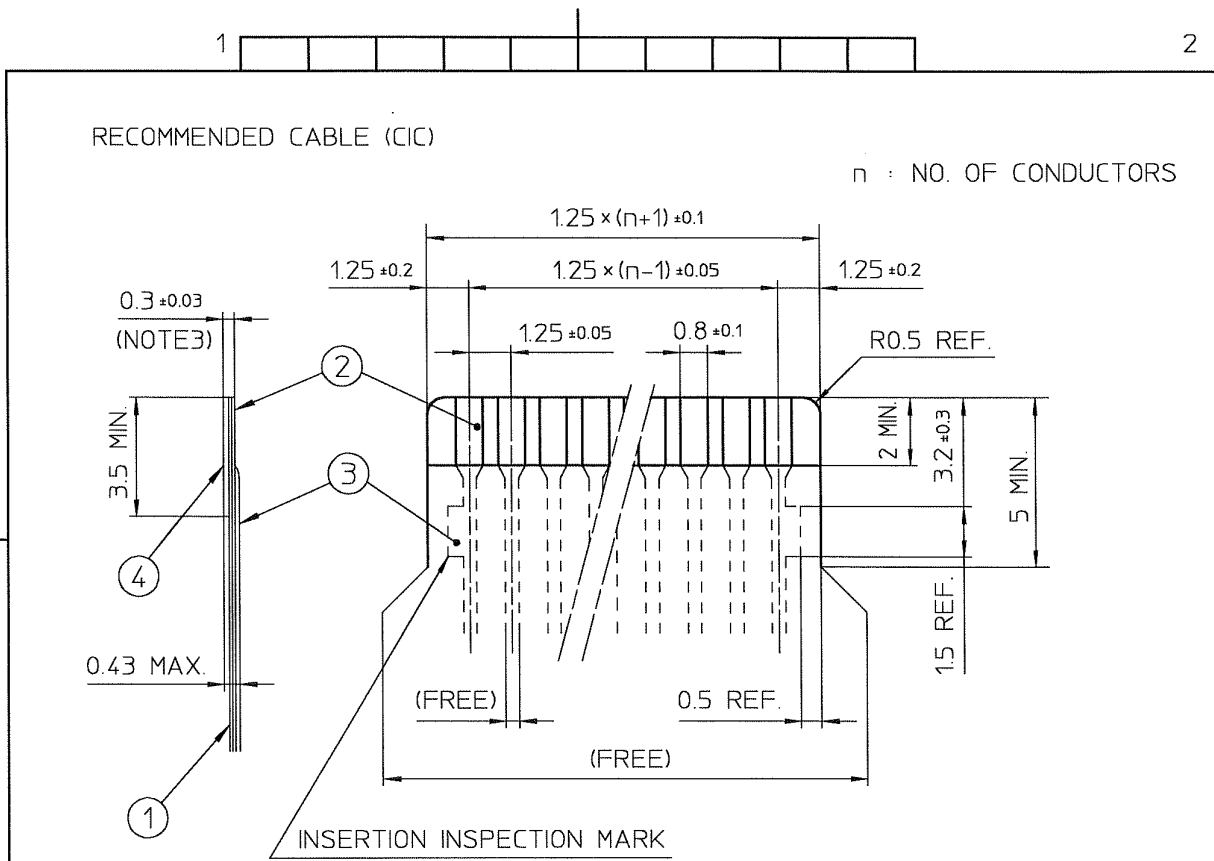
|             |                |                  |          |                                       |      |            |  |  |  |         |  |       |
|-------------|----------------|------------------|----------|---------------------------------------|------|------------|--|--|--|---------|--|-------|
| mat'l. code |                | surface ISO 1302 |          | tolerance ISO 406 ISO 1101            |      | projection |  | product family 58KF                                    |  | CODE JP |  |       |
| ltr         | ecn no         | dr               | date     | tolerances unless otherwise specified |      | mm         |  | title  |  |         |  |       |
| A           | J05-0713       | H.T              | 10/21/05 | angles                                | ±0.2 | mm         |  | 1.25mm SPACING CONNECTOR FOR CIC (Cat. No. SLP__R-5LF) |  |         |  |       |
| B           | J06-0504       | H.T              | 11/29/06 | linear                                |      | scale X    |  | dwg no sheet 1 of 1 size                               |  |         |  |       |
|             |                |                  |          | dr                                    |      | FCJ        |  | JSA 96779 A4   |  |         |  |       |
|             |                |                  |          | enr                                   |      |            |  | type Product Customer Drawing                          |  |         |  |       |
|             |                |                  |          | chr                                   |      |            |  |  |  |         |  |       |
|             |                |                  |          | appd                                  |      |            |  |  |  |         |  |       |
| sheet index | revision sheet | B                | 1        |                                       |      |            |  |  |  |         |  | Rev B |

SC-SLP06 JSA96777 form: A4



FCIconnect.com

Copyright FCI.



BILL OF MATERIAL

| PT. NO. | PARTS NAME      | MATERIAL                       | THICKNESS (μm) |
|---------|-----------------|--------------------------------|----------------|
| 1       | BASE FILM       | POLYESTER OR EQUAL             | 75             |
| 2       | CONDUCTOR       | CARBON PASTE OVER SILVER PASTE | 10 MIN.        |
| 3       | OVERLAY         | POLYESTER OR EQUAL             | —              |
| 4       | SUPPORTING TAPE | POLYESTER OR EQUAL             | 188            |

NOTES

1. NO BURR AT EACH PORTION.
2. NO PEELING IN COMMON USE.
3. THIS DIMENSION PRESCRIBES TOTAL THICKNESS OF PT. NO. 1, 2 & 4 INCLUDING ADHESIVES.

|             |  |                |  |                    |  |                            |  |             |  |  |  |
|-------------|--|----------------|--|--------------------|--|----------------------------|--|-------------|--|--|--|
| mat'l. code |  |                |  | surface ISO 1302 ✓ |  | tolerance ISO 406 ISO 1101 |  | projection  |  | product family 58KF                                |  |
| ltr 1       |  |                |  | ecn no             |  | dr H.T.                    |  | date 6/2/98 |  | title  |  |
| A           |  |                |  | J06-0504           |  | H.T.                       |  | 11/29/06    |  | RECOMMENDED CABLE (CIC)<br>(Cat. No. SLP__R/S-5__) |  |
|             |  |                |  | angles             |  | linear                     |  | scale X     |  | dwg no sheet 1 of 1                                |  |
|             |  |                |  | dr                 |  | engr                       |  | chr         |  | appd   |  |
|             |  |                |  | S. Dindana         |  | 11/29/06                   |  | 11/29/06    |  | JSA 28896  |  |
|             |  |                |  | S. Dindana         |  | 11/29/06                   |  | 11/29/06    |  | type Product Customer Drawing                      |  |
| sheet index |  | revision sheet |  | A                  |  | 1                          |  |             |  | Rev A  |  |



FCIconnect.com

Copyright FCI