

Product Facts

- Available in ZIF and non-ZIF
- Available in 0.3, 0.5, 1.0, and 1.25mm Centerlines
- Available Tin-Lead or Lead-Free
- SMT, Thu-Hole, Vertical and Right-Angle
- Right-Angle Available Top or Bottom Contact

Need more information?

Call Technical Support at the numbers listed below.

Technical Support is staffed with specialists well versed in Tyco Electronics products. They can provide you with:

- Technical support
- Catalogs
- Technical Documents
- Product Samples
- Authorized Distributor Locations



As the demands for higher-density packaging of electronic equipment increases, the use of flexible printed circuits (FPC) to reduce size, weight and assembly costs has expanded. FPC is finding wide acceptance in the computer industry, particularly in such applications as Lap Top, Notebook, Palm Top and Note Pad

Computers. Other markets include: Disk Drives, Printers, Plotters, Copiers, Cellular Phones, and Medical Equipment.

Tyco Electronics FPC connectors have been developed to meet the challenges of this expanding market. Available in center-line spacings 0.3 [.012], 0.5

[.020], 1.0 [.039], and 1.25 [.049] all incorporating low profile and light-weight features.

For custom parts, modification, or any inquiries, please contact your nearest Tyco Electronics Representatives or visit our website <http://www.tycoelectronics.com>

Part Number	Pb Free Part Number	Pitch	ZIF	SMT / Thu-Hole	Vertical / Right-Angle	Contact Type	Circuit Range	Type A/B	Page Number
1746237	1746237	0.3	ZIF	SMT	Right-Angle	Bottom	27, 39	A	2
1470731	1734742	0.5	ZIF	SMT	Vertical	—	4 - 40P	A	3
1470359	1734839	0.5	ZIF	SMT	Right-Angle	Top	5 - 50P	Inline	4 & 5
1470360	1734592	0.5	ZIF	SMT	Right-Angle	Bottom	5 - 50P	Inline	6 & 7
440347	1734248	1.0	ZIF	SMT	Vertical	—	3 - 40P	2 Row	8 & 9
487951	84953	1.0	ZIF	SMT	Right-Angle	Top	4 - 30P	Inline	10 & 11
487952	84952	1.0	ZIF	SMT	Right-Angle	Bottom	4 - 30P	Inline	12 & 13
84982	84982	1.0	NonZIF	SMT	Vertical	—	4 - 40P	A	14 & 15
84981	84981	1.0	NonZIF	SMT	Right-Angle	Top	4 - 40P	Inline	16 & 17
1470852	1734798	1.0	NonZIF	SMT	Right-Angle	Bottom	4 - 30P	Inline	18 & 19
84984	84984	1.0	NonZIF	Thu-Hole	Vertical	—	4 - 40P	A	20 & 21
84983	84983	1.0	NonZIF	Thu-Hole	Right-Angle	Top	4 - 40P	A	22 & 23
1470790	1734779	1.0	NonZIF	Thu-Hole	Right-Angle	Bottom	4 - 30P	B	24 & 25
84534	84534	1.25	NonZIF	Thu-Hole	Vertical	—	4 - 40P	A	26 & 27
84533	84533	1.25	NonZIF	Thu-Hole	Right-Angle	Top	4 - 40P	A	28 & 29

©2006 by Tyco Electronics Corporation. All Rights Reserved.

Tyco and AMP are trademarks.

Catalog 1-1773440-6
Revised 05-06
www.tycoelectronics.com

Dimensions are in millimeters and inches unless otherwise specified. Values in brackets are standard equivalents.

Dimensions are shown for reference purposes only. Specifications subject to change.

USA: 1-800-522-6752
Canada: 1-905-470-4425
Mexico: 01-800-733-8926
C. America: 52-55-5-729-0425

South America: 55-11-3611-1514
Hong Kong: 852-2735-1628
Japan: 81-44-844-8013
UK: 44-141-810-8967

Product Dimensions

**0.3 mm, FPC Connector,
Flip Lock Type**

Part Number: 1746237

Material and Finish

Housing — Thermoplastic, UL 94V-0

Contacts — Phosphor bronze

Technical Documents

Product Specification — 108-5924



Recommended PCB Layout

Product Dimensions (Continued)

**0.5 mm, FPC/FFC
Connector, ZIF, Vertical,
SMT, Type A**

**Part Number 1470731
Lead Free 1734742**

Material and Finish

Housing — High temperature thermo-
plastic, UL 94V-0, brown color

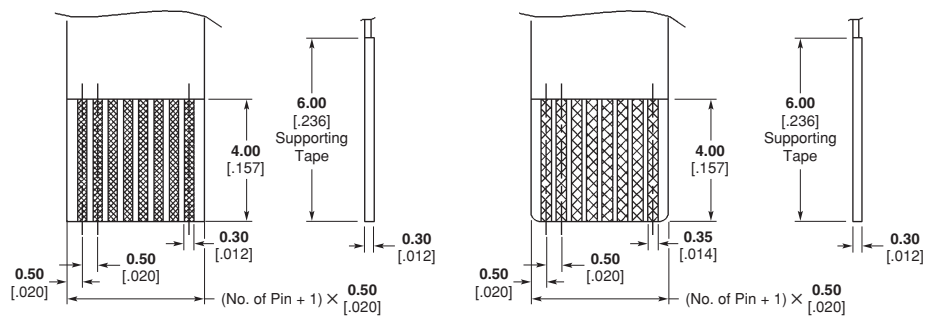
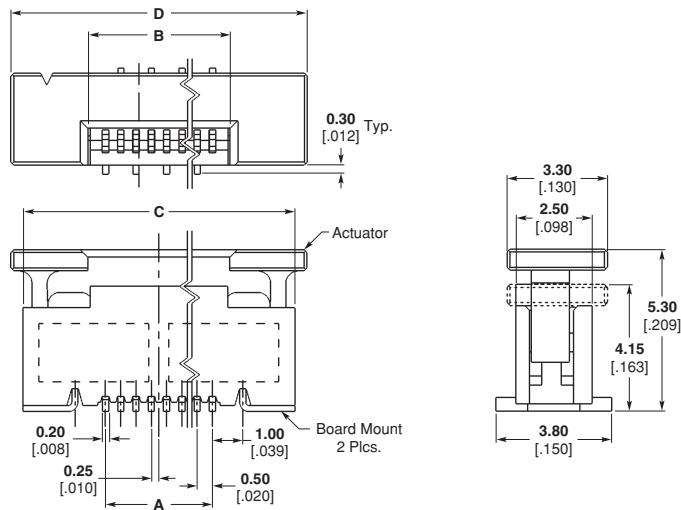
Actuator — High temperature thermo-
plastic, UL 94V-0, natural color

Contacts — Phosphor bronze

Board Mounts — Brass

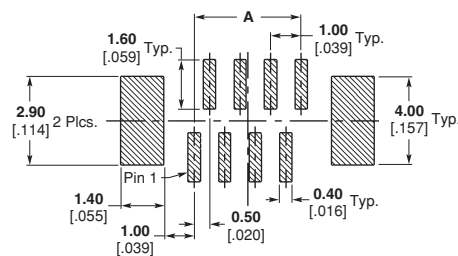
Technical Documents

Product Specification — 108-57324



Recommended FFC Layout

Recommended FPC Layout



Recommended PCB Layout

Part Number	No. of Contacts	Dimension			
		A	B	C	D
1-1470731-6	16	7.50 .295	8.65 .341	12.90 .508	13.70 .539
1-1470731-8	18	8.50 .335	9.65 .380	13.90 .547	14.70 .579
2-1470731-0	20	9.50 .374	10.65 .419	14.90 .587	15.70 .618
2-1470731-4	24	11.50 .453	12.65 .498	16.90 .665	17.70 .697
3-1470731-0	30	14.50 .571	15.65 .616	19.90 .783	20.70 .815
4-1470731-0	40	19.50 .768	20.65 .813	25.90 1.020	25.70 1.012

Product Dimensions (Continued)

**0.5 mm, FPC Connector,
SMT, Top Contact**

Part Number 1470359
Lead Free 1734839

Material and Finish

Housing — High temperature thermo-
plastic, UL 94V-0, natural color

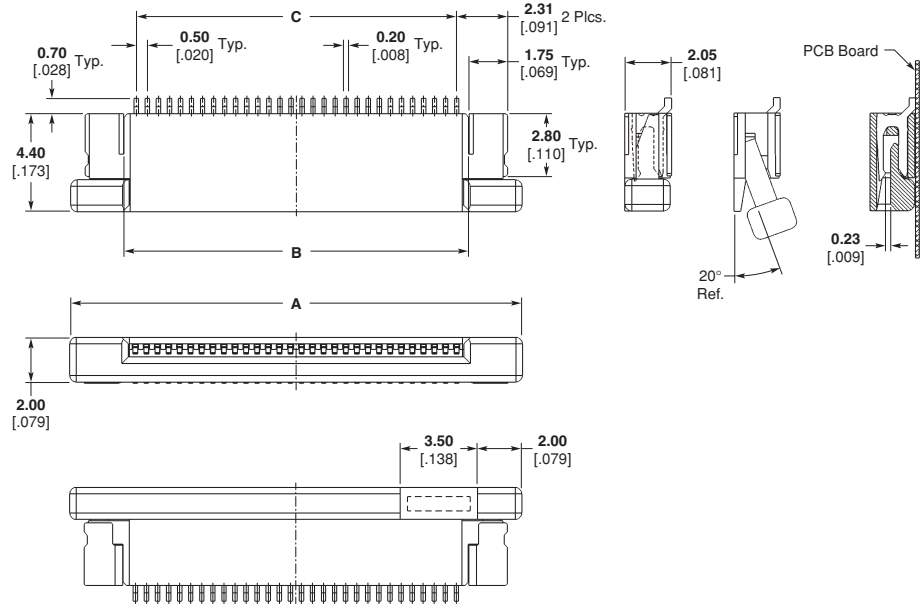
Actuator — Thermoplastic, UL 94V-0,
ivory color

Hold Down — Phosphor bronze

Contact — Phosphor bronze

Technical Documents

Product Specification — 108-57238



Recommended FPC Layout



Recommended PCB Layout

Product Dimensions (Continued)

**0.5 mm, FPC Connector,
SMT, Top Contact**

**Part Number 1470359
Lead Free 1734839**

Part Number	Position	Dimension		
		A	B	C
1470359-5	5	7.93 .312	3.10 .122	2.00 .078
1470359-6	6	8.43 .331	3.60 .141	2.50 .098
1470359-7	7	8.93 .351	4.10 .161	3.00 .118
1470359-8	8	9.43 .371	4.60 .181	3.50 .137
1470359-9	9	9.93 .390	5.10 .200	4.00 .157
1-1470359-0	10	10.43 .410	5.60 .220	4.50 .177
1-1470359-1	11	10.93 .430	6.10 .240	5.00 .196
1-1470359-2	12	11.43 .450	6.60 .259	5.50 .216
1-1470359-3	13	11.93 .469	7.10 .279	6.00 .236
1-1470359-4	14	12.43 .489	7.60 .299	6.50 .255
1-1470359-5	15	12.93 .509	8.10 .318	7.00 .275
1-1470359-6	16	13.43 .528	8.60 .338	7.50 .295
1-1470359-7	17	13.93 .548	9.10 .358	8.00 .314
1-1470359-8	18	14.43 .568	9.60 .377	8.50 .334
1-1470359-9	19	14.93 .587	10.10 .397	9.00 .354
2-1470359-0	20	15.43 .607	10.60 .417	9.50 .374
2-1470359-1	21	15.93 .627	11.10 .437	10.00 .393
2-1470359-2	22	16.43 .646	11.60 .456	10.50 .413
2-1470359-3	23	16.93 .666	12.10 .476	11.00 .433
2-1470359-4	24	17.43 .686	12.60 .496	11.50 .452
2-1470359-5	25	17.93 .705	13.10 .515	12.00 .472
2-1470359-6	26	18.43 .725	13.60 .535	12.50 .492
2-1470359-7	27	18.93 .745	14.10 .555	13.00 .511

Part Number	Position	Dimension		
		A	B	C
2-1470359-8	28	19.43 .764	14.60 .574	13.50 .531
2-1470359-9	29	19.93 .784	15.10 .594	14.00 .551
3-1470359-0	30	20.43 .804	15.60 .614	14.50 .570
3-1470359-1	31	20.93 .824	16.10 .633	15.00 .590
3-1470359-2	32	21.43 .843	16.60 .653	15.50 .610
3-1470359-3	33	21.93 .863	17.10 .673	16.00 .629
3-1470359-4	34	22.43 .883	17.60 .692	16.50 .649
3-1470359-5	35	22.93 .902	18.10 .712	17.00 .669
3-1470359-6	36	23.43 .922	18.60 .732	17.50 .688
3-1470359-7	37	23.93 .942	19.10 .751	18.00 .708
3-1470359-8	38	24.43 .961	19.60 .771	18.50 .728
3-1470359-9	39	24.93 .981	20.10 .791	19.00 .748
4-1470359-0	40	25.43 1.001	20.60 .811	19.50 .767
4-1470359-1	41	25.93 1.020	21.10 .830	20.00 .787
4-1470359-2	42	26.43 1.040	21.60 .850	20.50 .807
4-1470359-3	43	26.93 1.060	22.10 .870	21.00 .826
4-1470359-4	44	27.43 1.079	22.60 .890	21.50 .846
4-1470359-5	45	27.93 1.099	23.10 .909	22.00 .866
4-1470359-6	46	28.43 1.119	23.60 .929	22.50 .885
4-1470359-7	47	28.93 1.138	24.10 .949	23.00 .905
4-1470359-8	48	29.43 1.158	24.60 .968	23.50 .925
4-1470359-9	49	29.93 1.178	25.10 .988	24.00 .944
5-1470359-0	50	30.43 1.198	25.60 1.008	24.50 .964

Product Dimensions (Continued)

**0.5 mm, FPC Connector,
SMT, Bottom Contact**

Part Number 1470360
Lead Free 1734592

Material and Finish

Housing — High temperature thermo-
plastic, UL 94V-0, natural color

Actuator — Thermoplastic, UL 94V-0,
ivory color

Hold Down — Phosphor bronze

Contact — Phosphor bronze

Technical Documents

Product Specification — 108-57238



Recommended FPC Layout



Recommended PCB Layout

Product Dimensions (Continued)

**0.5 mm, FPC Connector,
SMT, Bottom Contact**

**Part Number 1470360
Lead Free 1734592**

Part Number	Position	Dimension		
		A	B	C
1470360-5	5	7.93 .312	3.10 .122	2.00 .078
1470360-6	6	8.43 .331	3.60 .141	2.50 .098
1470360-7	7	8.93 .351	4.10 .161	3.00 .118
1470360-8	8	9.43 .371	4.60 .181	3.50 .137
1470360-9	9	9.93 .390	5.10 .200	4.00 .157
1-1470360-0	10	10.43 .410	5.60 .220	4.50 .177
1-1470360-1	11	10.93 .430	6.10 .240	5.00 .196
1-1470360-2	12	11.43 .450	6.60 .259	5.50 .216
1-1470360-3	13	11.93 .469	7.10 .279	6.00 .236
1-1470360-4	14	12.43 .489	7.60 .299	6.50 .255
1-1470360-5	15	12.93 .509	8.10 .318	7.00 .275
1-1470360-6	16	13.43 .528	8.60 .338	7.50 .295
1-1470360-7	17	13.93 .548	9.10 .358	8.00 .314
1-1470360-8	18	14.43 .568	9.60 .377	8.50 .334
1-1470360-9	19	14.93 .587	10.10 .397	9.00 .354
2-1470360-0	20	15.43 .607	10.60 .417	9.50 .374
2-1470360-1	21	15.93 .627	11.10 .437	10.00 .393
2-1470360-2	22	16.43 .646	11.60 .456	10.50 .413
2-1470360-3	23	16.93 .666	12.10 .476	11.00 .433
2-1470360-4	24	17.43 .686	12.60 .496	11.50 .452
2-1470360-5	25	17.93 .705	13.10 .515	12.00 .472
2-1470360-6	26	18.43 .725	13.60 .535	12.50 .492
2-1470360-7	27	18.93 .745	14.10 .555	13.00 .511

Part Number	Position	Dimension		
		A	B	C
2-1470360-8	28	19.43 .764	14.60 .574	13.50 .531
2-1470360-9	29	19.93 .784	15.10 .594	14.00 .551
3-1470360-0	30	20.43 .804	15.60 .614	14.50 .570
3-1470360-1	31	20.93 .824	16.10 .633	15.00 .590
3-1470360-2	32	21.43 .843	16.60 .653	15.50 .610
3-1470360-3	33	21.93 .863	17.10 .673	16.00 .629
3-1470360-4	34	22.43 .883	17.60 .692	16.50 .649
3-1470360-5	35	22.93 .902	18.10 .712	17.00 .669
3-1470360-6	36	23.43 .922	18.60 .732	17.50 .688
3-1470360-7	37	23.93 .942	19.10 .751	18.00 .708
3-1470360-8	38	24.43 .961	19.60 .771	18.50 .728
3-1470360-9	39	24.93 .981	20.10 .791	19.00 .748
4-1470360-0	40	25.43 1.001	20.60 .811	19.50 .767
4-1470360-1	41	25.93 1.020	21.10 .830	20.00 .787
4-1470360-2	42	26.43 1.040	21.60 .850	20.50 .807
4-1470360-3	43	26.93 1.060	22.10 .870	21.00 .826
4-1470360-4	44	27.43 1.079	22.60 .890	21.50 .846
4-1470360-5	45	27.93 1.099	23.10 .909	22.00 .866
4-1470360-6	46	28.43 1.119	23.60 .929	22.50 .885
4-1470360-7	47	28.93 1.138	24.10 .949	23.00 .905
4-1470360-8	48	29.43 1.158	24.60 .968	23.50 .925
4-1470360-9	49	29.93 1.178	25.10 .988	24.00 .944
5-1470360-0	50	30.43 1.198	25.60 1.008	24.50 .964

Product Dimensions (Continued)

**1.0 mm, FPC Connector,
ZIF Vertical, SMT**

Part Number 440347
Lead Free 1734248

Material and Finish

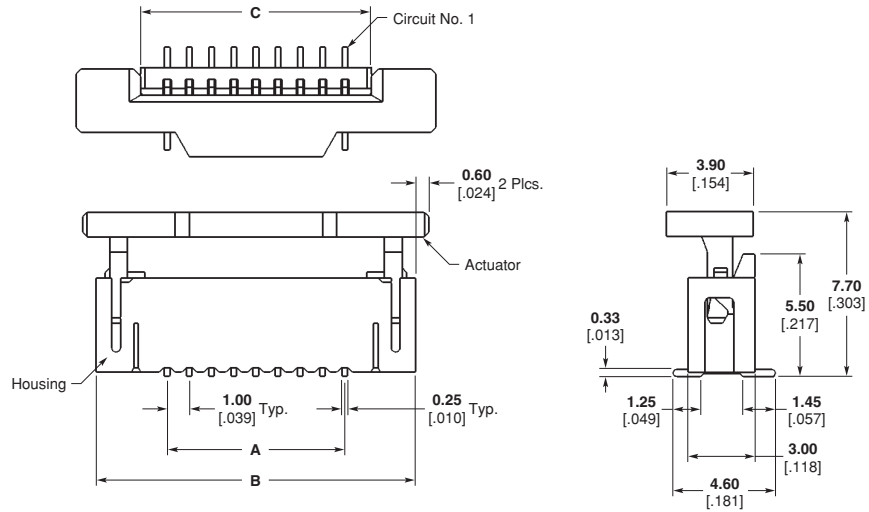
Housing — Thermoplastic, UL 94V-0, black color

Actuator — PPS, UL 94V-0, brown color

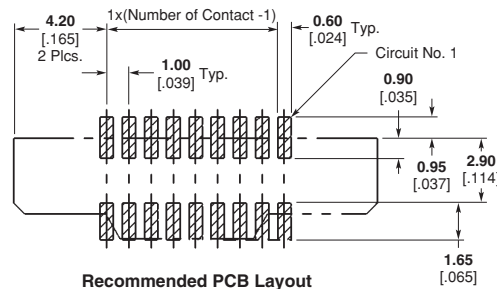
Contact — Phosphor bronze

Technical Documents

Product Specification — 108-57080



Recommended FPC Layout



Recommended PCB Layout

Product Dimensions (Continued)

**1.0 mm, FPC Connector,
ZIF Vertical, SMT**

**Part Number 440347
Lead Free 1734248**

Part Number	Position	Dimension		
		A	B	C
440347-3	3	2.00 .078	8.60 .338	4.40 .173
440347-4	4	3.00 .118	9.60 .377	5.40 .212
440347-5	5	4.00 .157	10.60 .417	6.40 .251
440347-6	6	5.00 .197	11.60 .456	7.40 .291
440347-7	7	6.00 .236	12.60 .496	8.40 .330
440347-8	8	7.00 .276	13.60 .535	9.40 .370
440347-9	9	8.00 .315	14.60 .574	10.40 .409
440347-0	10	9.00 .354	15.60 .614	11.40 .448
1-440347-1	11	10.00 .394	16.60 .653	12.40 .488
1-440347-2	12	11.00 .433	17.60 .692	13.40 .527
1-440347-3	13	12.00 .472	18.60 .732	14.40 .566
1-440347-4	14	13.00 .512	19.60 .771	15.40 .606
1-440347-5	15	14.00 .551	20.60 .811	16.40 .645
1-440347-6	16	15.00 .591	21.60 .850	17.40 .685
1-440347-7	17	16.00 .630	22.60 .889	18.40 .724
1-440347-8	18	17.00 .669	23.60 .929	19.40 .763
1-440347-9	19	18.00 .709	24.60 .968	20.40 .803
2-440347-0	20	19.00 .748	25.60 1.007	21.40 .842
2-440347-1	21	20.00 .787	26.60 1.047	22.40 .881

Part Number	Position	Dimension		
		A	B	C
2-440347-2	22	21.00 .827	27.60 1.086	23.40 .921
2-440347-3	23	22.00 .866	28.60 1.125	24.40 .960
2-440347-4	24	23.00 .906	29.60 1.165	25.40 1.000
2-440347-5	25	24.00 .945	30.60 1.204	26.40 1.039
2-440347-6	26	25.00 .984	31.60 1.244	27.40 1.078
2-440347-7	27	26.00 1.024	32.60 1.283	28.40 1.118
2-440347-8	28	27.00 1.063	33.60 1.322	29.40 1.157
2-440347-9	29	28.00 1.102	34.60 1.362	30.40 1.196
3-440347-0	30	29.00 1.142	35.60 1.401	31.40 1.236
3-440347-1	31	30.00 1.181	36.60 1.440	32.40 1.275
3-440347-2	32	31.00 1.221	37.60 1.480	33.40 1.314
3-440347-3	33	32.00 1.259	38.60 1.519	34.40 1.354
3-440347-4	34	33.00 1.299	39.60 1.559	35.40 1.393
3-440347-5	35	34.00 1.338	40.60 1.598	36.40 1.433
3-440347-6	36	35.00 1.377	41.60 1.637	37.40 1.472
3-440347-7	37	36.00 1.417	42.60 1.677	38.40 1.511
3-440347-8	38	37.00 1.456	43.60 1.716	39.40 1.551
3-440347-9	39	38.00 1.496	44.60 1.755	40.40 1.590
4-440347-0	40	39.00 1.535	45.60 1.795	41.40 1.629

Product Dimensions (Continued)

**1.0 mm, FPC Connector,
Right Angle, SMT, Top
Contact**

Part Number 487951
Lead Free 84953

Material and Finish

Housing — Glass reinforced polyester (LCP), UL 94V-0, natural color

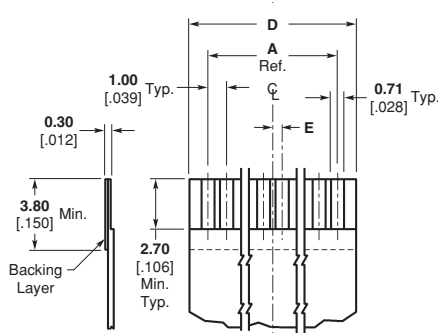
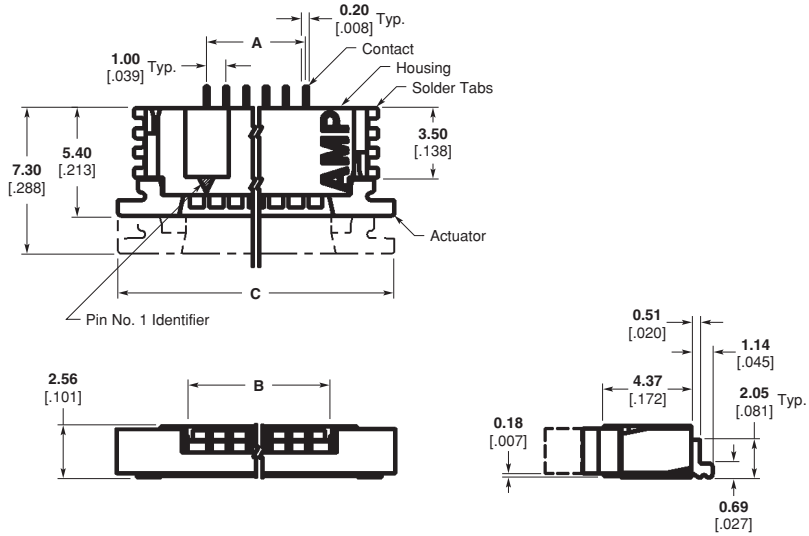
Actuator — Glass reinforced nylon (PPA), UL 94V-0, or glass reinforced PPS, UL 94V-0, black color

Solder Tabs — Phosphor bronze

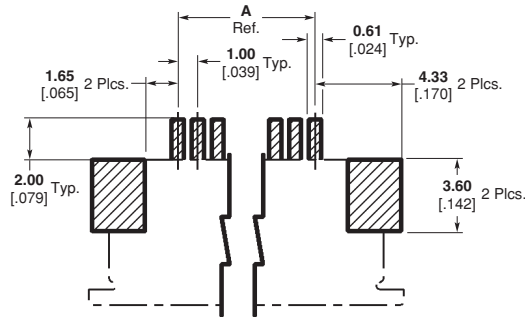
Contact — Phosphor bronze

Technical Documents

Product Specification — 108-1393



Recommended FPC Layout



Recommended PCB Layout

1.0 mm, FPC Connector,
Right Angle, SMT, Top
Contact

Part Number **487951**
Lead Free **84953**

Technical Documents
Product Specification — 108-1393

Product Dimensions (Continued)

Part Number	Positions	Dimension				
		A	B	C	D	E
84953-4	4	3.00 .118	5.18 .204	11.92 .469	5.00 .197	0.50 .019
84953-5	5	4.00 .157	6.18 .243	12.92 .509	6.00 .236	—
84953-6	6	5.00 .197	7.18 .283	13.92 .548	7.00 .276	0.50 .019
84953-7	7	6.00 .236	8.18 .322	14.92 .587	8.00 .315	—
84953-8	8	7.00 .276	9.18 .361	15.92 .627	9.00 .354	0.50 .019
84953-9	9	8.00 .315	10.18 .401	16.92 .666	10.00 .394	—
1-84953-0	10	9.00 .354	11.18 .440	17.92 .705	11.00 .433	0.50 .019
1-84953-1	11	10.00 .394	12.18 .480	18.92 .745	12.00 .472	—
1-84953-2	12	11.00 .433	13.18 .519	19.92 .784	13.00 .512	0.50 .019
1-84953-3	13	12.00 .472	14.18 .558	20.92 .824	14.00 .551	—
1-84953-4	14	13.00 .512	15.18 .598	21.92 .863	15.00 .591	0.50 .019
1-84953-5	15	14.00 .551	16.18 .637	22.92 .902	16.00 .630	—
1-84953-6	16	15.00 .591	17.18 .676	23.92 .942	17.00 .669	0.50 .019
1-84953-7	17	16.00 .630	18.18 .716	24.92 .981	18.00 .709	—
1-84953-8	18	17.00 .669	19.18 .755	25.92 1.020	19.00 .748	0.50 .019
1-84953-9	19	18.00 .709	20.18 .794	26.92 1.060	20.00 .787	—
2-84953-0	20	19.00 .748	21.18 .834	27.92 1.099	21.00 .827	0.50 .019
2-84953-1	21	20.00 .787	22.18 .873	28.92 1.139	22.00 .866	—
2-84953-2	22	21.00 .827	23.18 .913	29.92 1.179	23.00 .906	0.50 .019
2-84953-3	23	22.00 .866	24.18 .952	30.92 1.217	24.00 .945	—
2-84953-4	24	23.00 .906	25.18 .991	31.92 1.257	25.00 .984	0.50 .019
2-84953-5	25	24.00 .945	26.18 1.031	32.92 1.296	26.00 1.024	—
2-84953-6	26	25.00 .984	27.18 1.070	33.92 1.335	27.00 1.063	0.50 .019
2-84953-7	27	26.00 1.024	28.18 1.109	34.92 1.375	28.00 1.102	—
2-84953-8	28	27.00 1.063	29.18 1.149	35.92 1.414	29.00 1.142	0.50 .019
2-84953-9	29	28.00 1.102	30.18 1.188	36.92 1.454	30.00 1.181	—
3-84953-0	30	29.00 1.142	31.18 1.228	37.92 1.492	31.00 1.221	0.50 .019

Product Dimensions (Continued)

**1.0 mm, FPC Connector,
Right Angle, SMT, Bottom
Contact**

Part Number 487952
Lead Free 84952

Material and Finish

Housing — Glass reinforced polyester (LCP), UL 94V-0, natural color

Actuator — Glass reinforced nylon (PPA), UL 94V-0, or glass reinforced PPS, UL 94V-0, black color

Solder Tabs — Phosphor bronze

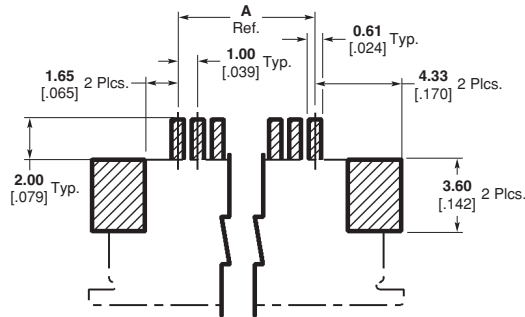
Contact — Phosphor bronze

Technical Documents

Product Specification — 108-1393



Recommended FPC Layout



Recommended PCB Layout

1.0 mm, FPC Connector,
Right Angle, SMT, Bottom
Contact

Part Number 487952
Lead Free 84952

Technical Documents
Product Specification — 108-1393

Product Dimensions (Continued)

Part Number	Positions	Dimension				
		A	B	C	D	E
84952-4	4	3.00 .118	5.18 .204	11.92 .469	5.00 .197	0.50 .019
84952-5	5	4.00 .157	6.18 .243	12.92 .509	6.00 .236	—
84952-6	6	5.00 .197	7.18 .283	13.92 .548	7.00 .276	0.50 .019
84952-7	7	6.00 .236	8.18 .322	14.92 .587	8.00 .315	—
84952-8	8	7.00 .276	9.18 .361	15.92 .627	9.00 .354	0.50 .019
84952-9	9	8.00 .315	10.18 .401	16.92 .666	10.00 .394	—
1-84952-0	10	9.00 .354	11.18 .440	17.92 .705	11.00 .433	0.50 .019
1-84952-1	11	10.00 .394	12.18 .480	18.92 .745	12.00 .472	—
1-84952-2	12	11.00 .433	13.18 .519	19.92 .784	13.00 .512	0.50 .019
1-84952-3	13	12.00 .472	14.18 .558	20.92 .824	14.00 .551	—
1-84952-4	14	13.00 .512	15.18 .598	21.92 .863	15.00 .591	0.50 .019
1-84952-5	15	14.00 .551	16.18 .637	22.92 .902	16.00 .630	—
1-84952-6	16	15.00 .591	17.18 .676	23.92 .942	17.00 .669	0.50 .019
1-84952-7	17	16.00 .630	18.18 .716	24.92 .981	18.00 .709	—
1-84952-8	18	17.00 .669	19.18 .755	25.92 1.020	19.00 .748	0.50 .019
1-84952-9	19	18.00 .709	20.18 .794	26.92 1.060	20.00 .787	—
2-84952-0	20	19.00 .748	21.18 .834	27.92 1.099	21.00 .827	0.50 .019
2-84952-1	21	20.00 .787	22.18 .873	28.92 1.139	22.00 .866	—
2-84952-2	22	21.00 .827	23.18 .913	29.92 1.179	23.00 .906	0.50 .019
2-84952-3	23	22.00 .866	24.18 .952	30.92 1.217	24.00 .945	—
2-84952-4	24	23.00 .906	25.18 .991	31.92 1.257	25.00 .984	0.50 .019
2-84952-5	25	24.00 .945	26.18 1.031	32.92 1.296	26.00 1.024	—
2-84952-6	26	25.00 .984	27.18 1.070	33.92 1.335	27.00 1.063	0.50 .019
2-84952-7	27	26.00 1.024	28.18 1.109	34.92 1.375	28.00 1.102	—
2-84952-8	28	27.00 1.063	29.18 1.149	35.92 1.414	29.00 1.142	0.50 .019
2-84952-9	29	28.00 1.102	30.18 1.188	36.92 1.454	30.00 1.181	—
3-84952-0	30	29.00 1.142	31.18 1.228	37.92 1.492	31.00 1.221	0.50 .019

Product Dimensions (Continued)

**1.0 mm, FFC Connector,
SMT, Vertical, (Non-ZIF)**

Lead Free 84982

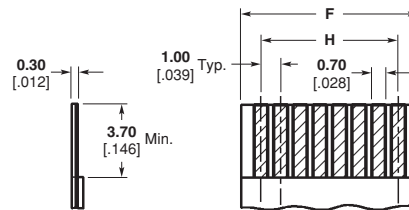
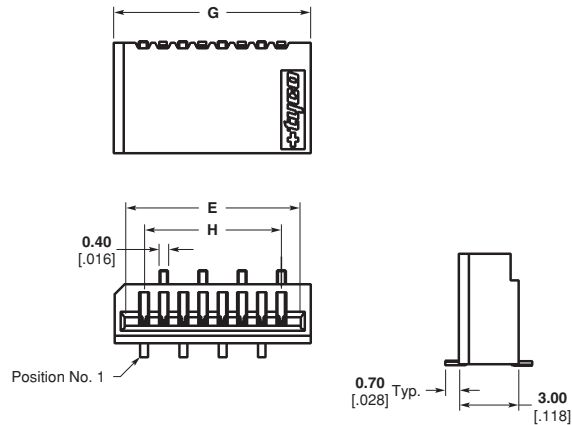
Material and Finish

Housing — Glass filled high temperature nylon, beige color

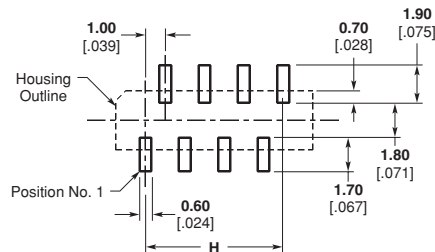
Contact — Phosphor bronze

Technical Documents

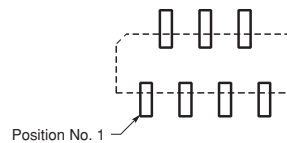
Product Specification — 108-51054



Recommended FFC/FPC Layout



**Recommended PCB Layout
For Even Position Connectors**



**Recommended PCB Layout
For Odd Position Connectors**

1.0 mm, FFC Connector,
SMT, Vertical, (Non-ZIF)

Lead Free **84982**

Technical Documents
Product Specification — 108-51054

Product Dimensions (Continued)

Part Number	No. of Contacts	Dimension			
		E	F	G	H
84982-4	4	5.00 .197	5.00 .197	6.00 .236	3.00 .118
84982-5	5	6.00 .236	6.00 .236	7.00 .276	4.00 .157
84982-6	6	7.00 .276	7.00 .276	8.00 .315	5.00 .197
84982-7	7	8.00 .315	8.00 .315	9.00 .354	6.00 .236
84982-8	8	9.00 .354	9.00 .354	10.00 .394	7.00 .276
84982-9	9	10.00 .394	10.00 .394	11.00 .433	8.00 .315
1-84982-0	10	11.00 .433	11.00 .433	12.00 .472	9.00 .354
1-84982-1	11	12.00 .472	12.00 .472	13.00 .512	10.00 .394
1-84982-2	12	13.00 .512	13.00 .512	14.00 .551	11.00 .433
1-84982-3	13	14.00 .551	14.00 .551	15.00 .591	12.00 .472
1-84982-4	14	15.00 .591	15.00 .591	16.00 .630	13.00 .512
1-84982-5	15	16.00 .630	16.00 .630	17.00 .669	14.00 .551
1-84982-6	16	17.00 .669	17.00 .669	18.00 .709	15.00 .591
1-84982-7	17	18.00 .709	18.00 .709	19.00 .748	16.00 .630
1-84982-8	18	19.00 .748	19.00 .748	20.00 .787	17.00 .669
1-84982-9	19	20.00 .787	20.00 .787	21.00 .827	18.00 .709
2-84982-0	20	21.00 .827	21.00 .827	22.00 .866	19.00 .748
2-84982-1	21	22.00 .866	22.00 .866	23.00 .906	20.00 .787
2-84982-2	22	23.00 .906	23.00 .906	24.00 .945	21.00 .827
2-84982-3	23	24.00 .945	24.00 .945	25.00 .984	22.00 .866
2-84982-4	24	25.00 .984	25.00 .984	26.00 1.024	23.00 .906
2-84982-5	25	26.00 1.024	26.00 1.024	27.00 1.063	24.00 .945
2-84982-6	26	27.00 1.063	27.00 1.063	28.00 1.102	25.00 .984
2-84982-7	27	28.00 1.102	28.00 1.102	29.00 1.142	26.00 1.024
2-84982-8	28	29.00 1.142	29.00 1.142	30.00 1.181	27.00 1.063
2-84982-9	29	30.00 1.181	30.00 1.181	31.00 1.221	28.00 1.102
3-84982-0	30	31.00 1.221	31.00 1.221	32.00 1.259	29.00 1.142
3-84982-1	31	32.00 1.259	32.00 1.259	33.00 1.299	30.00 1.181
3-84982-2	32	33.00 1.299	33.00 1.299	34.00 1.338	31.00 1.221
3-84982-3	33	34.00 1.338	34.00 1.338	35.00 1.377	32.00 1.259
3-84982-4	34	35.00 1.377	35.00 1.377	36.00 1.417	33.00 1.299
3-84982-5	35	36.00 1.417	36.00 1.417	37.00 1.456	34.00 1.338
3-84982-6	36	37.00 1.456	37.00 1.456	38.00 1.496	35.00 1.377
3-84982-7	37	38.00 1.496	38.00 1.496	39.00 1.535	36.00 1.417
3-84982-8	38	39.00 1.535	39.00 1.535	40.00 1.574	37.00 1.456
3-84982-9	39	40.00 1.574	40.00 1.574	41.00 1.614	38.00 1.496
4-84982-0	40	41.00 1.614	41.00 1.614	42.00 1.653	39.00 1.535

Product Dimensions (Continued)

1.0 mm, FFC Connector, SMT, Right Angle, Non-ZIF

Lead Free 84981

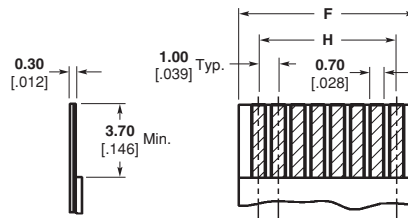
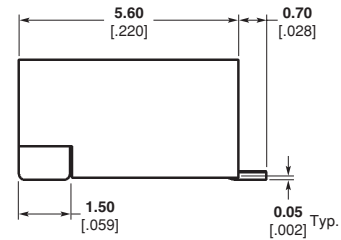
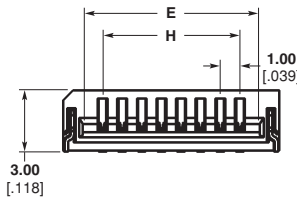
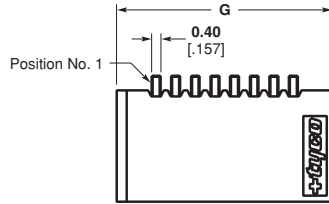
Material and Finish

Housing — Glass filled high temperature nylon, beige color

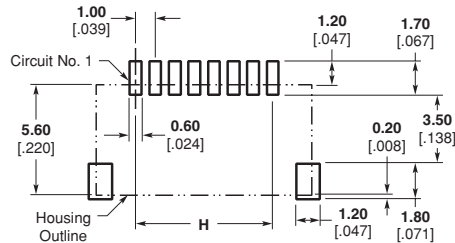
Contact — Phosphor bronze

Technical Documents

Product Specification — 108-51054



Recommended FFC/FPC Layout



Recommended PCB Layout

1.0 mm, FFC Connector,
SMT, Right Angle, Non-ZIF

Lead Free **84981**

Technical Documents
Product Specification — 108-51054

Product Dimensions (Continued)

Part Number	No. of Contacts	Dimension			
		E	F	G	H
84981-4	4	5.00 .197	5.00 .197	7.00 .276	3.00 .118
84981-5	5	6.00 .236	6.00 .236	8.00 .315	4.00 .157
84981-6	6	7.00 .276	7.00 .276	9.00 .354	5.00 .197
84981-7	7	8.00 .315	8.00 .315	10.00 .394	6.00 .236
84981-8	8	9.00 .354	9.00 .354	11.00 .433	7.00 .276
84981-9	9	10.00 .394	10.00 .394	12.00 .472	8.00 .315
1-84981-0	10	11.00 .433	11.00 .433	13.00 .512	9.00 .354
1-84981-1	11	12.00 .472	12.00 .472	14.00 .551	10.00 .394
1-84981-2	12	13.00 .512	13.00 .512	15.00 .591	11.00 .433
1-84981-3	13	14.00 .551	14.00 .551	16.00 .630	12.00 .472
1-84981-4	14	15.00 .591	15.00 .591	17.00 .669	13.00 .512
1-84981-5	15	16.00 .630	16.00 .630	18.00 .709	14.00 .551
1-84981-6	16	17.00 .669	17.00 .669	19.00 .748	15.00 .591
1-84981-7	17	18.00 .709	18.00 .709	20.00 .787	16.00 .630
1-84981-8	18	19.00 .748	19.00 .748	21.00 .827	17.00 .669
1-84981-9	19	20.00 .787	20.00 .787	22.00 .866	18.00 .709
2-84981-0	20	21.00 .827	21.00 .827	23.00 .906	19.00 .748
2-84981-1	21	22.00 .866	22.00 .866	24.00 .945	20.00 .787
2-84981-2	22	23.00 .906	23.00 .906	25.00 .984	21.00 .827
2-84981-3	23	24.00 .945	24.00 .945	26.00 1.024	22.00 .866
2-84981-4	24	25.00 .984	25.00 .984	27.00 1.063	23.00 .906
2-84981-5	25	26.00 1.024	26.00 1.024	28.00 1.102	24.00 .945
2-84981-6	26	27.00 1.063	27.00 1.063	29.00 1.142	25.00 .984
2-84981-7	27	28.00 1.102	28.00 1.102	30.00 1.181	26.00 1.024
2-84981-8	28	29.00 1.142	29.00 1.142	31.00 1.221	27.00 1.063
2-84981-9	29	30.00 1.181	30.00 1.181	32.00 1.259	28.00 1.102
3-84981-0	30	31.00 1.221	31.00 1.221	33.00 1.299	29.00 1.142
3-84981-1	31	32.00 1.259	32.00 1.259	34.00 1.338	30.00 1.181
3-84981-2	32	33.00 1.299	33.00 1.299	35.00 1.377	31.00 1.221
3-84981-3	33	34.00 1.338	34.00 1.338	36.00 1.417	32.00 1.259
3-84981-4	34	35.00 1.377	35.00 1.377	37.00 1.456	33.00 1.299
3-84981-5	35	36.00 1.417	36.00 1.417	38.00 1.496	34.00 1.338
3-84981-6	36	37.00 1.456	37.00 1.456	39.00 1.535	35.00 1.377
3-84981-7	37	38.00 1.496	38.00 1.496	40.00 1.574	36.00 1.417
3-84981-8	38	39.00 1.535	39.00 1.535	41.00 1.614	37.00 1.456
3-84981-9	39	40.00 1.574	40.00 1.574	42.00 1.653	38.00 1.496
4-84981-0	40	41.00 1.614	41.00 1.614	43.00 1.692	39.00 1.535

Product Dimensions (Continued)

**1.0 mm, FPC Connector,
Non-ZIF, SMT, Right Angle,
Bottom Contact**

Part Number 1470852
Lead Free 1734798

Material and Finish

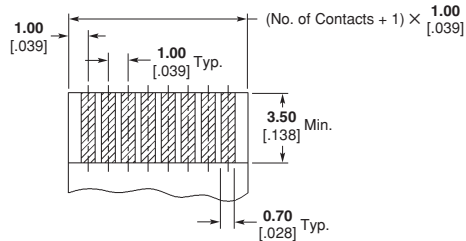
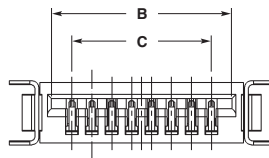
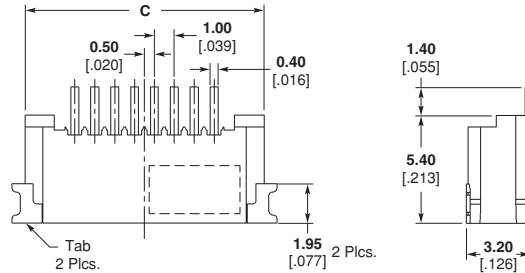
Housing — Thermoplastic, UL 94V-0, black color

Tabs — Brass

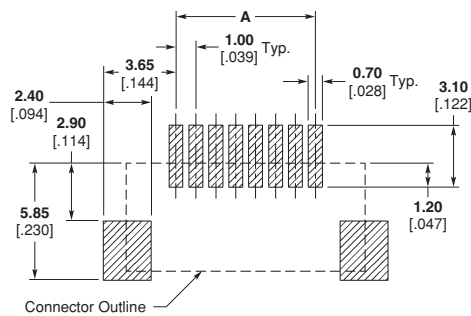
Contact — Phosphor bronze

Technical Documents

Product Specification — 108-57354



Recommended FPC Layout



Recommended PCB Layout

**1.0 mm, FPC Connector,
Non-ZIF, SMT, Right Angle,
Bottom Contact**

**Part Number 1470852
Lead Free 1734798**

Technical Documents
Product Specification — 108-57354

Product Dimensions (Continued)

Part Number	Position	Dimension		
		A	B	C
1470852-4	4	3.00 .118	5.05 .198	7.00 .276
1470852-5	5	4.00 .157	6.05 .238	8.00 .315
1470852-6	6	5.00 .197	7.05 .277	9.00 .354
1470852-7	7	6.00 .236	8.05 .316	10.00 .394
1470852-8	8	7.00 .276	9.05 .356	11.00 .433
1470852-9	9	8.00 .315	10.05 .395	12.00 .472
1-1470852-0	10	9.00 .354	11.05 .435	13.00 .512
1-1470852-1	11	10.00 .394	12.05 .474	14.00 .551
1-1470852-2	12	11.00 .433	13.05 .513	15.00 .591
1-1470852-3	13	12.00 .472	14.05 .553	16.00 .630
1-1470852-4	14	13.00 .512	15.05 .592	17.00 .669
1-1470852-5	15	14.00 .551	16.05 .631	18.00 .709
1-1470852-6	16	15.00 .591	17.05 .671	19.00 .748
1-1470852-7	17	16.00 .630	18.05 .710	20.00 .787
1-1470852-8	18	17.00 .669	19.05 .750	21.00 .827
1-1470852-9	19	18.00 .709	20.05 .788	22.00 .866
2-1470852-0	20	19.00 .748	21.05 .828	23.00 .906
2-1470852-1	21	20.00 .787	22.05 .857	24.00 .945
2-1470852-2	22	21.00 .827	23.05 .907	25.00 .984
2-1470852-3	23	22.00 .866	24.05 .946	26.00 1.024
2-1470852-4	24	23.00 .906	25.05 .986	27.00 1.063
2-1470852-5	25	24.00 .945	26.05 1.025	28.00 1.102
2-1470852-6	26	25.00 .984	27.05 1.064	29.00 1.142
2-1470852-7	27	26.00 1.024	28.05 1.104	30.00 1.181
2-1470852-8	28	27.00 1.063	29.05 1.143	31.00 1.220
2-1470852-9	29	28.00 1.102	30.05 1.183	32.00 1.259
3-1470852-0	30	29.00 1.142	31.05 1.222	33.00 1.299

Product Dimensions (Continued)

1.0 mm, FFC Connector, Through-Hole, Vertical

Lead Free 84984

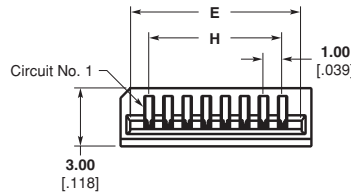
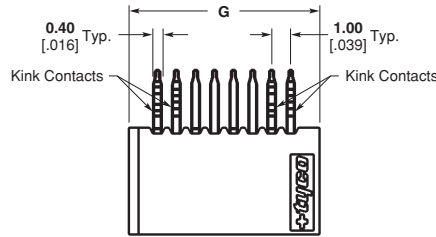
Material and Finish

Housing — Glass filled PBT, white color

Contact — Phosphor bronze

Technical Documents

Product Specification — 108-51058



Recommended FPC Layout



**Recommended PCB Layout
1.60 [0.063] Thickness
(For Even Position Connectors)**



**Recommended PCB Layout
1.60 [0.063] Thickness
(For Odd Position Connectors)**

1.0 mm, FFC Connector,
Through-Hole, Vertical

Lead Free **84984**

Technical Documents
Product Specification — 108-51058

Product Dimensions (Continued)

Part Number	No. of Contacts	Dimension			
		E	F	G	H
84984-4	4	5.00 .197	5.00 .197	6.00 .236	3.00 .118
84984-5	5	6.00 .236	6.00 .236	7.00 .276	4.00 .157
84984-6	6	7.00 .276	7.00 .276	8.00 .315	5.00 .197
84984-7	7	8.00 .315	8.00 .315	9.00 .354	6.00 .236
84984-8	8	9.00 .354	9.00 .354	10.00 .394	7.00 .276
84984-9	9	10.00 .394	10.00 .394	11.00 .433	8.00 .315
1-84984-0	10	11.00 .433	11.00 .433	12.00 .472	9.00 .354
1-84984-1	11	12.00 .472	12.00 .472	13.00 .512	10.00 .394
1-84984-2	12	13.00 .512	13.00 .512	14.00 .551	11.00 .433
1-84984-3	13	14.00 .551	14.00 .551	15.00 .591	12.00 .472
1-84984-4	14	15.00 .591	15.00 .591	16.00 .630	13.00 .512
1-84984-5	15	16.00 .630	16.00 .630	17.00 .669	14.00 .551
1-84984-6	16	17.00 .669	17.00 .669	18.00 .709	15.00 .591
1-84984-7	17	18.00 .709	18.00 .709	19.00 .748	16.00 .630
1-84984-8	18	19.00 .748	19.00 .748	20.00 .787	17.00 .669
1-84984-9	19	20.00 .787	20.00 .787	21.00 .827	18.00 .709
2-84984-0	20	21.00 .827	21.00 .827	22.00 .866	19.00 .748
2-84984-1	21	22.00 .866	22.00 .866	23.00 .906	20.00 .787
2-84984-2	22	23.00 .906	23.00 .906	24.00 .945	21.00 .827
2-84984-3	23	24.00 .945	24.00 .945	25.00 .984	22.00 .866
2-84984-4	24	25.00 .984	25.00 .984	26.00 1.024	23.00 .906
2-84984-5	25	26.00 1.024	26.00 1.024	27.00 1.063	24.00 .945
2-84984-6	26	27.00 1.063	27.00 1.063	28.00 1.102	25.00 .984
2-84984-7	27	28.00 1.102	28.00 1.102	29.00 1.142	26.00 1.024
2-84984-8	28	29.00 1.142	29.00 1.142	30.00 1.181	27.00 1.063
2-84984-9	29	30.00 1.181	30.00 1.181	31.00 1.221	28.00 1.102
3-84984-0	30	31.00 1.221	31.00 1.221	32.00 1.259	29.00 1.142
3-84984-1	31	32.00 1.259	32.00 1.259	33.00 1.299	30.00 1.181
3-84984-2	32	33.00 1.299	33.00 1.299	34.00 1.338	31.00 1.221
3-84984-3	33	34.00 1.338	34.00 1.338	35.00 1.377	32.00 1.259
3-84984-4	34	35.00 1.377	35.00 1.377	36.00 1.417	33.00 1.299
3-84984-5	35	36.00 1.417	36.00 1.417	37.00 1.456	34.00 1.338
3-84984-6	36	37.00 1.456	37.00 1.456	38.00 1.496	35.00 1.377
3-84984-7	37	38.00 1.496	38.00 1.496	39.00 1.535	36.00 1.417
3-84984-8	38	39.00 1.535	39.00 1.535	40.00 1.574	37.00 1.456
3-84984-9	39	40.00 1.574	40.00 1.574	41.00 1.614	38.00 1.496
4-84984-0	40	41.00 1.614	41.00 1.614	42.00 1.653	39.00 1.535

Product Dimensions (Continued)

1.0 mm, FFC Connector, Through-Hole, Right Angle

Lead Free 84983

Material and Finish

Housing — Glass filled PBT, white color

Contact — Phosphor bronze

Technical Documents

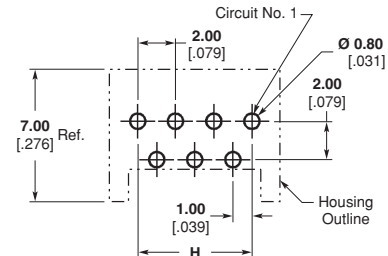
Product Specification — 108-51058



Recommended FPC Layout



**Recommended PCB Layout
1.60 [.063] Thickness
(For Even Position Connectors)**



**Recommended PCB Layout
1.60 [.063] Thickness
(For Odd Position Connectors)**

**1.0 mm, FFC Connector,
Through-Hole, Right Angle,
Top Contact**

Lead Free 84983

Technical Documents
Product Specification — 108-51058

Product Dimensions (Continued)

Part Number	No. of Contacts	Dimension			
		E	F	G	H
84983-4	4	5.00 .197	5.00 .197	6.00 .236	3.00 .118
84983-5	5	6.00 .236	6.00 .236	7.00 .276	4.00 .157
84983-6	6	7.00 .276	7.00 .276	8.00 .315	5.00 .197
84983-7	7	8.00 .315	8.00 .315	9.00 .354	6.00 .236
84983-8	8	9.00 .354	9.00 .354	10.00 .394	7.00 .276
84983-9	9	10.00 .394	10.00 .394	11.00 .433	8.00 .315
1-84983-0	10	11.00 .433	11.00 .433	12.00 .472	9.00 .354
1-84983-1	11	12.00 .472	12.00 .472	13.00 .512	10.00 .394
1-84983-2	12	13.00 .512	13.00 .512	14.00 .551	11.00 .433
1-84983-3	13	14.00 .551	14.00 .551	15.00 .591	12.00 .472
1-84983-4	14	15.00 .591	15.00 .591	16.00 .630	13.00 .512
1-84983-5	15	16.00 .630	16.00 .630	17.00 .669	14.00 .551
1-84983-6	16	17.00 .669	17.00 .669	18.00 .709	15.00 .591
1-84983-7	17	18.00 .709	18.00 .709	19.00 .748	16.00 .630
1-84983-8	18	19.00 .748	19.00 .748	20.00 .787	17.00 .669
1-84983-9	19	20.00 .787	20.00 .787	21.00 .827	18.00 .709
2-84983-0	20	21.00 .827	21.00 .827	22.00 .866	19.00 .748
2-84983-1	21	22.00 .866	22.00 .866	23.00 .906	20.00 .787
2-84983-2	22	23.00 .906	23.00 .906	24.00 .945	21.00 .827
2-84983-3	23	24.00 .945	24.00 .945	25.00 .984	22.00 .866
2-84983-4	24	25.00 .984	25.00 .984	26.00 1.024	23.00 .906
2-84983-5	25	26.00 1.024	26.00 1.024	27.00 1.063	24.00 .945
2-84983-6	26	27.00 1.063	27.00 1.063	28.00 1.102	25.00 .984
2-84983-7	27	28.00 1.102	28.00 1.102	29.00 1.142	26.00 1.024
2-84983-8	28	29.00 1.142	29.00 1.142	30.00 1.181	27.00 1.063
2-84983-9	29	30.00 1.181	30.00 1.181	31.00 1.221	28.00 1.102
3-84983-0	30	31.00 1.221	31.00 1.221	32.00 1.259	29.00 1.142
3-84983-1	31	32.00 1.259	32.00 1.259	33.00 1.299	30.00 1.181
3-84983-2	32	33.00 1.299	33.00 1.299	34.00 1.338	31.00 1.221
3-84983-3	33	34.00 1.338	34.00 1.338	35.00 1.377	32.00 1.259
3-84983-4	34	35.00 1.377	35.00 1.377	36.00 1.417	33.00 1.299
3-84983-5	35	36.00 1.417	36.00 1.417	37.00 1.456	34.00 1.338
3-84983-6	36	37.00 1.456	37.00 1.456	38.00 1.496	35.00 1.377
3-84983-7	37	38.00 1.496	38.00 1.496	39.00 1.535	36.00 1.417
3-84983-8	38	39.00 1.535	39.00 1.535	40.00 1.574	37.00 1.456
3-84983-9	39	40.00 1.574	40.00 1.574	41.00 1.614	38.00 1.496
4-84983-0	40	41.00 1.614	41.00 1.614	42.00 1.653	39.00 1.535

Product Dimensions (Continued)

**1.0 mm, FPC Connector,
Non-ZIF, Right-Angle,
Bottom Contact, Type B**

Part Number 1470790
Lead Free 1734779

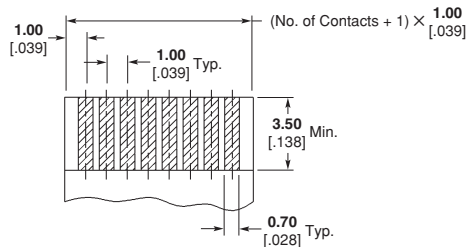
Material and Finish

Housing — Thermoplastic, UL 94V-0,
black color

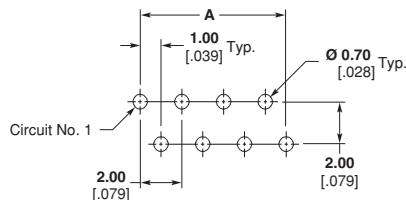
Contacts — Phosphor bronze

Technical Documents

Product Specification — 108-57354



Recommended FPC Layout



Recommended PCB Layout

**1.0 mm, FPC Connector,
Non-ZIF, Right Angle,
Bottom Contact, Type B**

**Part Number 1470790
Lead Free 1734779**

Technical Documents
Product Specification — 108-57354

Product Dimensions (Continued)

Part Number	No. of Contacts	Dimension		
		A	B	C
1470790-4	4	3.00 .118	5.05 .198	7.00 .276
1470790-5	5	4.00 .157	6.05 .238	8.00 .315
1470790-6	6	5.00 .197	7.05 .277	9.00 .354
1470790-7	7	6.00 .236	8.05 .316	10.00 .394
1470790-8	8	7.00 .276	9.05 .356	11.00 .433
1470790-9	9	8.00 .315	10.05 .395	12.00 .472
1-1470790-0	10	9.00 .354	11.05 .435	13.00 .512
1-1470790-1	11	10.00 .394	12.05 .474	14.00 .551
1-1470790-2	12	11.00 .433	13.05 .513	15.00 .591
1-1470790-3	13	12.00 .472	14.05 .553	16.00 .630
1-1470790-4	14	13.00 .512	15.05 .592	17.00 .669
1-1470790-5	15	14.00 .551	16.05 .631	18.00 .709
1-1470790-6	16	15.00 .591	17.05 .671	19.00 .748
1-1470790-7	17	16.00 .630	18.05 .710	20.00 .787
1-1470790-8	18	17.00 .669	19.05 .750	21.00 .827
1-1470790-9	19	18.00 .709	20.05 .788	22.00 .866
2-1470790-0	20	19.00 .748	21.05 .828	23.00 .906
2-1470790-1	21	20.00 .787	22.05 .857	24.00 .945
2-1470790-2	22	21.00 .827	23.05 .907	25.00 .984
2-1470790-3	23	22.00 .866	24.05 .946	26.00 1.024
2-1470790-4	24	23.00 .906	25.05 .986	27.00 1.063
2-1470790-5	25	24.00 .945	26.05 1.025	28.00 1.102
2-1470790-6	26	25.00 .984	27.05 1.064	29.00 1.142
2-1470790-7	27	26.00 1.024	28.05 1.104	30.00 1.181
2-1470790-8	28	27.00 1.063	29.05 1.143	31.00 1.220
2-1470790-9	29	28.00 1.102	30.05 1.183	32.00 1.259
3-1470790-0	30	29.00 1.142	31.05 1.222	33.00 1.299

Product Dimensions (Continued)

1.25 mm, FFC Connector, Vertical

Lead Free 84534

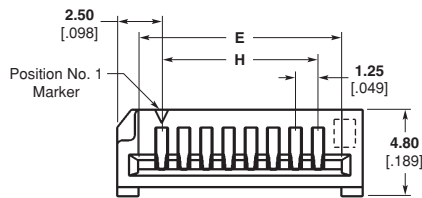
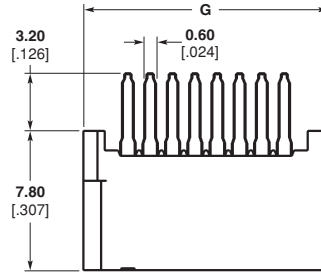
Material and Finish

Housing — Glass filled PBT, white color

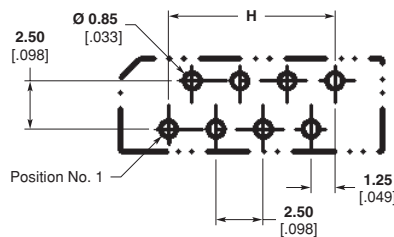
Contact — Phosphor bronze

Technical Documents

Product Specification — 108-51021



Recommended FFC Layout



Recommended PCB Layout

1.25 mm, FFC Connector,
Vertical

Lead Free **84534**

Technical Documents
Product Specification — 108-51021

Product Dimensions (Continued)

Part Number	No. of Contacts	Dimension			
		E	F	G	H
84534-4	4	6.40 .251	6.25 .246	8.75 .344	3.75 .147
84534-5	5	7.65 .301	7.50 .295	10.00 .393	5.00 .196
84534-6	6	8.90 .350	8.75 .344	11.25 .442	6.25 .246
84534-7	7	10.15 .399	10.00 .393	12.50 .492	7.50 .295
84534-8	8	11.40 .448	11.25 .442	13.75 .541	8.75 .344
84534-9	9	12.65 .498	12.50 .492	15.00 .590	10.00 .393
1-84534-0	10	13.90 .547	13.75 .541	16.25 .639	11.25 .442
1-84534-1	11	15.15 .596	15.00 .590	17.50 .688	12.50 .492
1-84534-2	12	16.40 .645	16.25 .639	18.75 .738	13.75 .541
1-84534-3	13	17.65 .694	17.50 .688	20.00 .787	15.00 .590
1-84534-4	14	18.90 .744	18.75 .738	21.25 .836	16.25 .639
1-84534-5	15	20.15 .793	20.00 .787	22.50 .885	17.50 .688
1-84534-6	16	21.40 .842	21.25 .836	23.75 .935	18.75 .738
1-84534-7	17	22.65 .891	22.50 .885	25.00 .984	20.00 .787
1-84534-8	18	23.90 .940	23.75 .935	26.25 1.033	21.25 .836
1-84534-9	19	25.15 .990	25.00 .984	27.50 1.082	22.50 .885
2-84534-0	20	26.40 1.039	26.25 1.033	28.75 1.131	23.75 .935
2-84534-1	21	27.65 1.088	27.50 1.082	30.00 1.181	25.00 .984
2-84534-2	22	28.90 1.137	28.75 1.131	31.25 1.230	26.25 1.033
2-84534-3	23	30.15 1.187	30.00 1.181	32.50 1.279	27.50 1.082
2-84534-4	24	31.40 1.236	31.25 1.230	33.75 1.328	28.75 1.131
2-84534-5	25	32.65 1.285	32.50 1.279	35.00 1.377	30.00 1.181
2-84534-6	26	33.90 1.334	33.75 1.328	36.25 1.427	31.25 1.230
2-84534-7	27	35.15 1.383	35.00 1.377	37.50 1.476	32.50 1.279
2-84534-8	28	36.40 1.433	36.25 1.427	38.75 1.525	33.75 1.328
2-84534-9	29	37.65 1.482	37.50 1.476	40.00 1.574	35.00 1.377
3-84534-0	30	38.90 1.531	38.75 1.525	41.25 1.624	36.25 1.427
3-84534-1	31	40.15 1.580	40.00 1.574	42.50 1.673	37.50 1.476
3-84534-2	32	41.40 1.629	41.25 1.624	43.75 1.722	38.75 1.525
3-84534-3	33	42.65 1.679	42.50 1.673	45.00 1.771	40.00 1.574
3-84534-4	34	43.90 1.728	43.75 1.722	46.25 1.820	41.25 1.624
3-84534-5	35	45.15 1.777	45.00 1.771	47.50 1.870	42.50 1.673
3-84534-6	36	46.40 1.826	46.25 1.820	48.75 1.919	43.75 1.722
3-84534-7	37	47.65 1.875	47.50 1.870	50.00 1.968	45.00 1.771
3-84534-8	38	48.90 1.925	48.75 1.919	51.25 2.017	46.25 1.820
3-84534-9	39	50.15 1.974	50.00 1.968	52.50 2.066	47.50 1.870
4-84534-0	40	51.40 2.023	51.25 2.017	53.75 2.116	48.75 1.919

Product Dimensions (Continued)

**1.25 mm, FFC Connector,
Right Angle, Top Contact
Non-ZIF**

Lead Free 84533

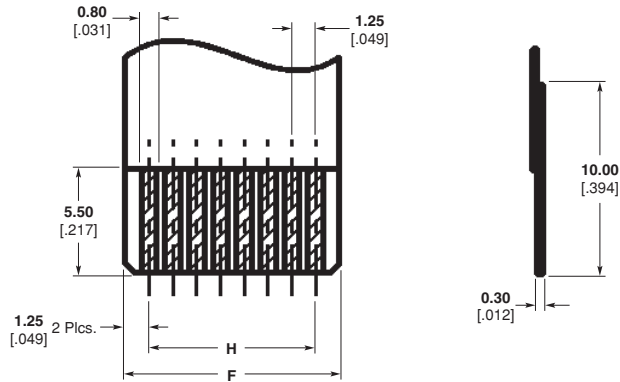
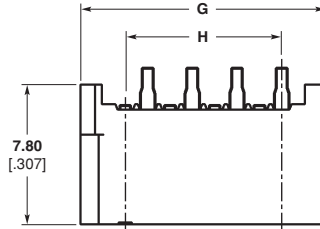
Material and Finish

Housing — Glass filled PBT, white color

Contact — Post plated tin phosphor bronze

Technical Documents

Product Specification — 108-51021



Recommended FFC Layout



Recommended PCB Layout

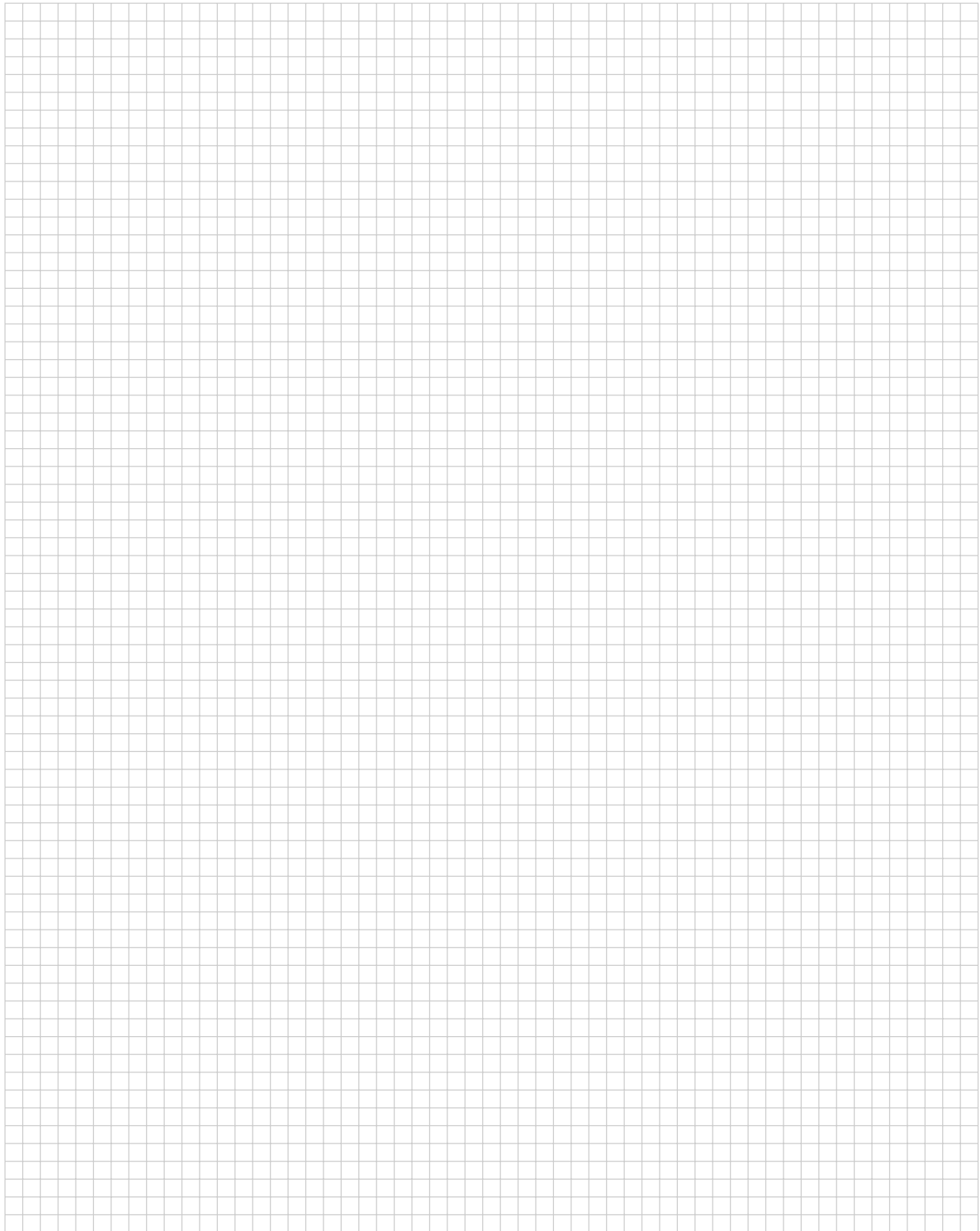
**1.25 mm, FFC Connector,
Right Angle, Top Contact
Non-ZIF**

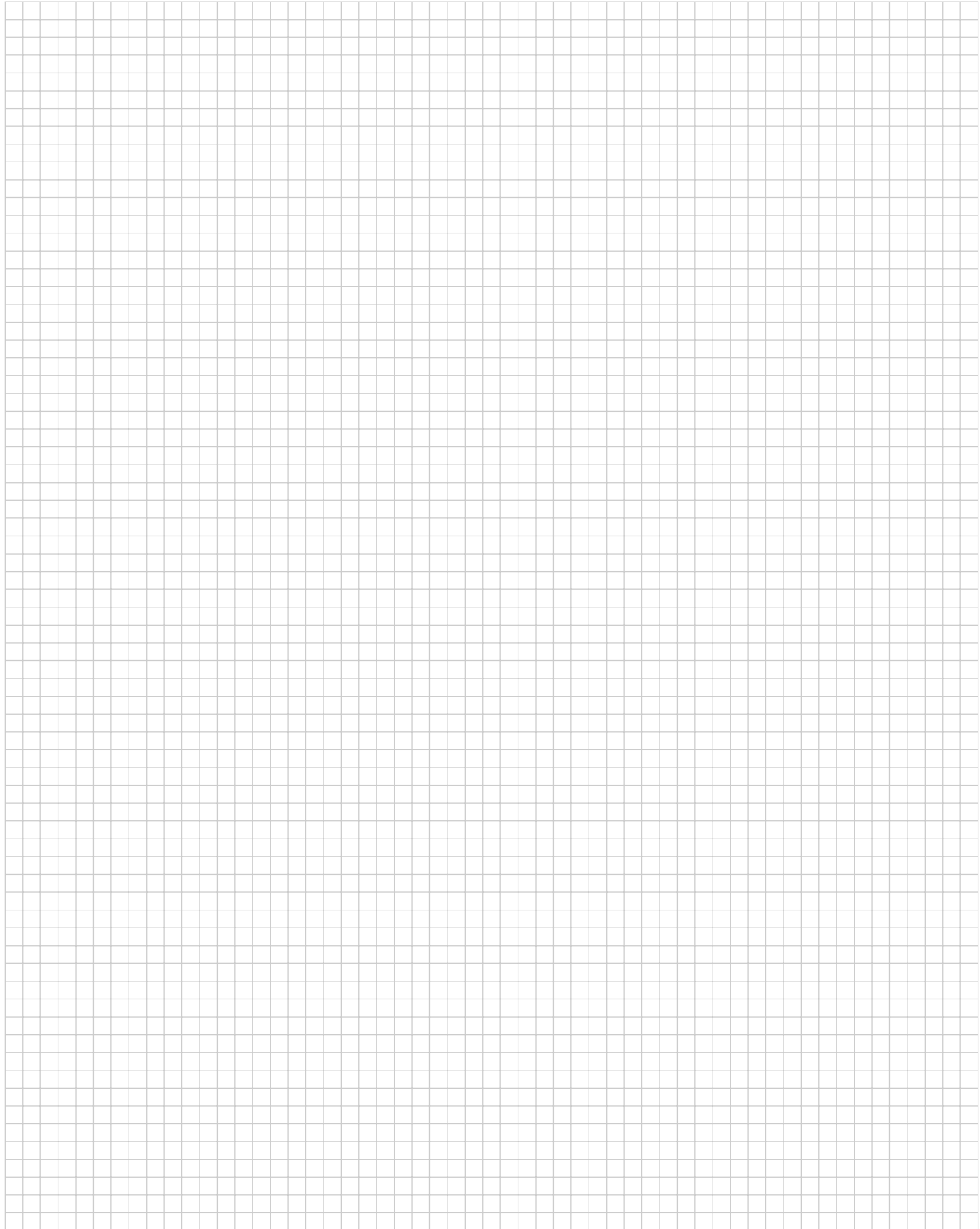
Lead Free 84533

Technical Documents
Product Specification — 108-51021

Product Dimensions (Continued)

Part Number	No. of Contacts	Dimension			
		E	F	G	H
84533-4	4	6.40 .251	6.25 .246	8.75 .344	3.75 .147
84533-5	5	7.65 .301	7.50 .295	10.00 .393	5.00 .196
84533-6	6	8.90 .350	8.75 .344	11.25 .442	6.25 .246
84533-7	7	10.15 .399	10.00 .393	12.50 .492	7.50 .295
84533-8	8	11.40 .448	11.25 .442	13.75 .541	8.75 .344
84533-9	9	12.65 .498	12.50 .492	15.00 .590	10.00 .393
1-84533-0	10	13.90 .547	13.75 .541	16.25 .639	11.25 .442
1-84533-1	11	15.15 .596	15.00 .590	17.50 .688	12.50 .492
1-84533-2	12	16.40 .645	16.25 .639	18.75 .738	13.75 .541
1-84533-3	13	17.65 .694	17.50 .688	20.00 .787	15.00 .590
1-84533-4	14	18.90 .744	18.75 .738	21.25 .836	16.25 .639
1-84533-5	15	20.15 .793	20.00 .787	22.50 .885	17.50 .688
1-84533-6	16	21.40 .842	21.25 .836	23.75 .935	18.75 .738
1-84533-7	17	22.65 .891	22.50 .885	25.00 .984	20.00 .787
1-84533-8	18	23.90 .940	23.75 .935	26.25 1.033	21.25 .836
1-84533-9	19	25.15 .990	25.00 .984	27.50 1.082	22.50 .885
2-84533-0	20	26.40 1.039	26.25 1.033	28.75 1.131	23.75 .935
2-84533-1	21	27.65 1.088	27.50 1.082	30.00 1.181	25.00 .984
2-84533-2	22	28.90 1.137	28.75 1.131	31.25 1.230	26.25 1.033
2-84533-3	23	30.15 1.187	30.00 1.181	32.50 1.279	27.50 1.082
2-84533-4	24	31.40 1.236	31.25 1.230	33.75 1.328	28.75 1.131
2-84533-5	25	32.65 1.285	32.50 1.279	35.00 1.377	30.00 1.181
2-84533-6	26	33.90 1.334	33.75 1.328	36.25 1.427	31.25 1.230
2-84533-7	27	35.15 1.383	35.00 1.377	37.50 1.476	32.50 1.279
2-84533-8	28	36.40 1.433	36.25 1.427	38.75 1.525	33.75 1.328
2-84533-9	29	37.65 1.482	37.50 1.476	40.00 1.574	35.00 1.377
3-84533-0	30	38.90 1.531	38.75 1.525	41.25 1.624	36.25 1.427
3-84533-1	31	40.15 1.580	40.00 1.574	42.50 1.673	37.50 1.476
3-84533-2	32	41.40 1.629	41.25 1.624	43.75 1.722	38.75 1.525
3-84533-3	33	42.65 1.679	42.50 1.673	45.00 1.771	40.00 1.574
3-84533-4	34	43.90 1.728	43.75 1.722	46.25 1.820	41.25 1.624
3-84533-5	35	45.15 1.777	45.00 1.771	47.50 1.870	42.50 1.673
3-84533-6	36	46.40 1.826	46.25 1.820	48.75 1.919	43.75 1.722
3-84533-7	37	47.65 1.875	47.50 1.870	50.00 1.968	45.00 1.771
3-84533-8	38	48.90 1.925	48.75 1.919	51.25 2.017	46.25 1.820
3-84533-9	39	50.15 1.974	50.00 1.968	52.50 2.066	47.50 1.870
4-84533-0	40	51.40 2.023	51.25 2.017	53.75 2.116	48.75 1.919





Electronics

Americas

Argentina – Buenos Aires
 Phone: +54-11-4733-2200
 Fax: +54-11-4733-2211

Brasil – São Paulo
 Phone: +55-11-3611-1311
 Fax: +55-11-3611-0397

Canada – Markham
 Phone: +905-475-6222
 Fax: +905-474-5520

**Product Information Center:
 (Technical Support)**
 Phone: +905-470-4425
 Fax: +905-474-5525

Colombia – Bogota
 Phone: +57-1-231-9398
 Fax: +57-1-660-0206

Mexico – Mexico City
 Phone: +52-5-729-0400
 Fax: +52-5-361-8545

United States – Harrisburg, PA
 Phone: +717-564-0100
 Fax: +717-986-7575

**Product Information Center:
 (Technical Support)**
 Phone: +800-522-6752
 Fax: +717-986-7575

**For Latin/South American
 Countries not shown**
 Phone: +54-11-4733-2015
 Fax: +54-11-4733-2083

Asia/Pacific

Australia – Sydney
 Phone: +61-2-9554-2600
 Fax: +61-2-9502-2556
**Product Information Center:
 (Technical Support)**
 Phone: +61-2-9840-8200
 Fax: +61-2-9634-6188

India – Bangalore
 Phone: +91-80-285-40800
 Fax: +91-80-285-40820

Indonesia – Jakarta
 Phone: +65-6482-0311
 Fax: +65-6482-1012

Japan – Toyko
 Phone: +81-44-844-8111
 Fax: +81-44-812-3207

**Product Information Center:
 (Technical Support)**
 Phone: +81-44-844-8013
 Fax: +81-44-812-3200

Raychem Products
 Phone: +81-44-900-5102
 Fax: +81-44-5025-5027

Korea – Seoul
 Phone: +82-2-3415-4500
 Fax: +82-2-3486-3810

Malaysia – Kuala Lumpur
 Phone: +60-3-78053055
 Fax: +60-3-78053066

New Zealand – Auckland
 Phone: +64-9-634-4580
 Fax: +64-9-634-4586

Philippines – Makati City
 Phone: +632-848-0171
 Fax: +632-867-8661

People's Republic of China
 Hong Kong
 Phone: +852-2735-1628
 Fax: +852-2735-0243

Shanghai
 Phone: +86-21-53838188/64850602
 Fax: +86-21-53838018/54260180

Shunde
 Phone: +86-765-775-1368
 Fax: +86-765-775-2823

Europe/Middle East/Africa

Austria – Vienna
 Phone: +43-190-560-0
 Fax: +43-190-560-1333

Belgium – Kessel-Lo
 Phone: +32-16-35-23-00
 Fax: +32-16-35-23-52

Bulgaria – Sofia
 Phone: +359-2-971-2152
 Fax: +359-2-971-2153

Czech Republic – Kurim
 Phone: +420-5-41-162-111
 Fax: +420-5-41-162-223

Denmark – Viby J
 Phone: +45-70-15-52-00
 Fax: +45-43-44-14-14

Egypt – Cairo
 Phone: +20-2-417-76-47
 Fax: +20-2-419-23-34

Estonia – Tallinn
 Phone: +372-65-05-474
 Fax: +372-65-05-470

Finland – Helsinki
 Phone: +358-95-12-34-20
 Fax: +358-95-12-34-250

France – Cergy-Pontoise
 Phone: +33-1-3420-8888
 Fax: +33-1-3420-8600

**Product Information Center:
 (Technical Support)**
 Phone: +33-1-3420-8943
 Fax: +33-1-3420-8623

France
Tyco Electronics Export –
 St Ouen L'Aumone
 Phone: +33-1-3440-7200
 Fax: +33-1-3440-7220 or
 +33-1-3440-7230

Germany – Bensheim
 Phone: +49-6251-133-0
 Fax: +49-6251-133-1600

**Product Information Center:
 (Technical Support)**
 Phone: +49-6251-133-1999
 Fax: +49-6251-133-1988

Germany – Langen
 Phone: +49-6103-709-0
 Fax: +49-6103-709-1223

Germany – Speyer
 Phone: +49-6232-30-0
 Fax: +49-6232-30-2243

Germany
HTS Division – Neunkirchen
 Phone: +49-2247-305-0
 Fax: +49-2247-305-122

Great Britain –
 Stanmore Middlesex
 Phone: +44-208-954-2356
 Fax: +44-208-954-6234

**Product Information Center:
 (Technical Support)**
 Freephone GB: 0800-267-666
 Phone: +44-141 810 8968
 Fax: +44-141 810 8971

Great Britain – Dorcan, Swindon
Raychem Products
 Phone: +44-1793-528171
 Fax: +44-1793-572516

Greece – Athens
 Phone: +30-1-9370-396/397
 Fax: +30-1-9370-655

Hungary – Budapest
 Phone: +36-1-289-1000
 Fax: +36-1-289-1010

Ireland – Dublin
 Phone: +353-1-820-3000
 Fax: +353-1-820-9790

Israel – Yokneam
 Phone: +972-4-959-0508
 Fax: +972-4-959-0506

Italy – Collegno (Torino)
 Phone: +39-011-4012-111
 Fax: +39-011-4031-116

Lithuania – Vilnius
 Phone: +370-5-2131-402
 Fax: +370-5-2131-403

Netherlands – 's-Hertogenbosch
 Phone: +31-73-624-6246
 Fax: +31-73-621-2365

**Product Information Center:
 (Technical Support)**
 Phone: +31-73-6246-999
 Fax: +31-73-6246-998

Norway – Nesbru
 Phone: +47-66-77-8899
 Fax: +47-66-77-8855

Poland – Warsaw
 Phone: +48-22-45-76-700
 Fax: +48-22-45-76-720

Romania – Bucharest
 Phone: +40-1-311-3479/3596
 Fax: +40-1-312-0574

Russia – Moscow
 Phone: +7-095-926-5506/07/08/09
 Fax: +7-095-926-5505

Russia – St. Petersburg
 Phone: +7-812-118-8192
 Fax: +7-812-118-8193

Slovakia – Banská Bystrica
 Phone: +421-48-415-20-11/12
 Fax: +421-48-415-20-13

Slovenia – Ljubljana
 Phone: +386-1561-3270
 Fax: +386-1561-3240

South Africa – Port Elizabeth
 Phone: +27-41-405-4500
 Fax: +27-41-486-1314

Spain – Barcelona
 Phone: +34-93-291-0330
 Fax: +34-93-201-7879

**Product Information Center:
 (Technical Support):**
 Phone: +34-93-291-0330
 Fax: +34-93-200-3779

Sweden – Upplands Väsby
 Phone: +46-8-50-72-50-00
 Fax: +46-8-50-72-50-01

Switzerland – Steinach
 Phone: +41-71-447-0447
 Fax: +41-71-447-0444

Turkey – Istanbul
 Phone: +90-212-281-8181/2/3
 Fax: +90-212-281-8184

Ukraine – Kiev
 Phone: +38-044-238-6908
 Fax: +38-044-568-5740

Disclaimer: While Tyco Electronics has made every reasonable effort to ensure the accuracy of the information in this catalog, Tyco Electronics does not guarantee that it is error-free, nor does Tyco Electronics make any other representation, warranty or guarantee that the information is accurate, correct, reliable or current. Tyco Electronics reserves the right to make any adjustments to the information contained herein at any time without notice. Tyco Electronics expressly disclaims all implied warranties regarding the information contained herein, including, but not limited to, any implied warranties of merchantability or fitness for a particular purpose.