



FCIconnect.com

List of "SFV__R-1/2STE1" customer document

DOCUMENT NO.	LIST
SC-SFV01	SPEC.
JSA92450	CAT.NO.TABLE FOR 0.5mm CONTACT SPACING CONNECTOR (SFV__R-1/2ST_)
JSA92451	CONNECTOR USED FOR FPC/FFC WITH 0.5mm CONTACT SPACING (SFV__R-1ST_)
JSA92452	CONNECTOR USED FOR FPC/FFC WITH 0.5mm CONTACT SPACING (SFV__R-2ST_)
JSA92453	CAT.NO.TABLE FOR PLASTIC TAPE PACKAGED 0.5mm CONTACT SPACING CONNECTOR (SFV__R-1/2STE1)
JSA92454	PLASTIC TAPE PACKAGED 0.5mm CONTACT SPACING CONNECTOR (SFV__R-1STE1)
JSA92455	PLASTIC TAPE PACKAGED 0.5mm CONTACT SPACING CONNECTOR (SFV__R-2STE1)
JSA92456	RECOMMENDED CABLE (FPC) (SFV__R-1/2ST_)
JSA92457	RECOMMENDED CABLE (FFC) (SFV__R-1/2ST_)
BJM-SFV101	HANDLING PROCEDURES

mat'l. code				surface ISO 1302 <input checked="" type="checkbox"/>		tolerance ISO 406 ISO 1101		projection 		product family 58EF			
ltr	ecn no	dr	date	tolerances unless otherwise specified						title 0.5mm SPACING FPC/FFC CONNECTOR DOCUMENT LIST (Cat. No. : SFV__R-1/2STE1)			
A	J03-0196	H.T	'03/5/1	angles		linear		scale X		dwg no JSA 95808			
B	J06-0372	H.T	'06/9/7							sheet 1of1		size A4	
				dr	9/7/06				type Product Customer Drawing				
				enr	9/7/06								
				chr	9/8/06								
				appd	9/11/06								
sheet index	revision sheet	B	1							Rev. B			

form: A4

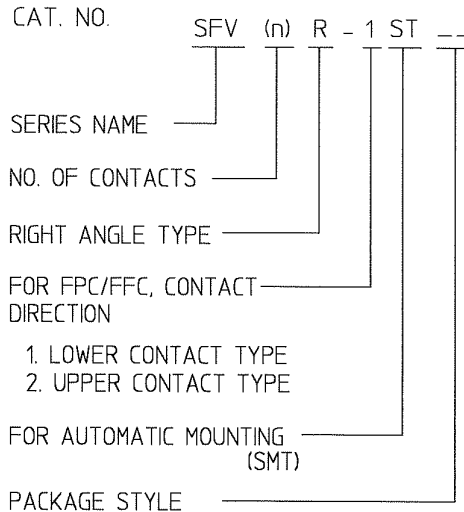
1

2

Copyright FCI

CAT. NO. & DIMENSIONS

NO. OF CONTACTS (n)	CAT. NO.	DIMENSIONS (NOTE2)			
		A ± 0.2	B ± 0.2	C ± 0.1	D ± 0.1
4	SFV4R-1/2ST__	7.5	5.9	15	2.7
5	SFV5R-1/2ST__	8.0	6.4	2.0	3.2
6	SFV6R-1/2ST__	8.5	6.9	2.5	3.7
7	SFV7R-1/2ST__	9.0	7.4	3.0	4.2
8	SFV8R-1/2ST__	9.5	7.9	3.5	4.7
9	SFV9R-1/2ST__	10.0	8.4	4.0	5.2
10	SFV10R-1/2ST__	10.5	8.9	4.5	5.7
11	SFV11R-1/2ST__	11.0	9.4	5.0	6.2
12	SFV12R-1/2ST__	11.5	9.9	5.5	6.7
13	SFV13R-1/2ST__	12.0	10.4	6.0	7.2
14	SFV14R-1/2ST__	12.5	10.9	6.5	7.7
15	SFV15R-1/2ST__	13.0	11.4	7.0	8.2
16	SFV16R-1/2ST__	13.5	11.9	7.5	8.7
17	SFV17R-1/2ST__	14.0	12.4	8.0	9.2
18	SFV18R-1/2ST__	14.5	12.9	8.5	9.7
19	SFV19R-1/2ST__	15.0	13.4	9.0	10.2
20	SFV20R-1/2ST__	15.5	13.9	9.5	10.7
21	SFV21R-1/2ST__	16.0	14.4	10.0	11.2
22	SFV22R-1/2ST__	16.5	14.9	10.5	11.7
23	SFV23R-1/2ST__	17.0	15.4	11.0	12.2
24	SFV24R-1/2ST__	17.5	15.9	11.5	12.7
25	SFV25R-1/2ST__	18.0	16.4	12.0	13.2
26	SFV26R-1/2ST__	18.5	16.9	12.5	13.7
27	SFV27R-1/2ST__	19.0	17.4	13.0	14.2
28	SFV28R-1/2ST__	19.5	17.9	13.5	14.7
29	SFV29R-1/2ST__	20.0	18.4	14.0	15.2
30	SFV30R-1/2ST__	20.5	18.9	14.5	15.7
31	SFV31R-1/2ST__	21.0	19.4	15.0	16.2
32	SFV32R-1/2ST__	21.5	19.9	15.5	16.7
33	SFV33R-1/2ST__	22.0	20.4	16.0	17.2
34	SFV34R-1/2ST__	22.5	20.9	16.5	17.7
35	SFV35R-1/2ST__	23.0	21.4	17.0	18.2



NOTES

1. THIS PRODUCT IS THE CONNECTOR USED FOR FPC/FFC AND COPEs WITH AUTOMATIC MOUNTING (SMT).
2. SEE PART DRAWINGS FOR DIMENSIONS A-D.



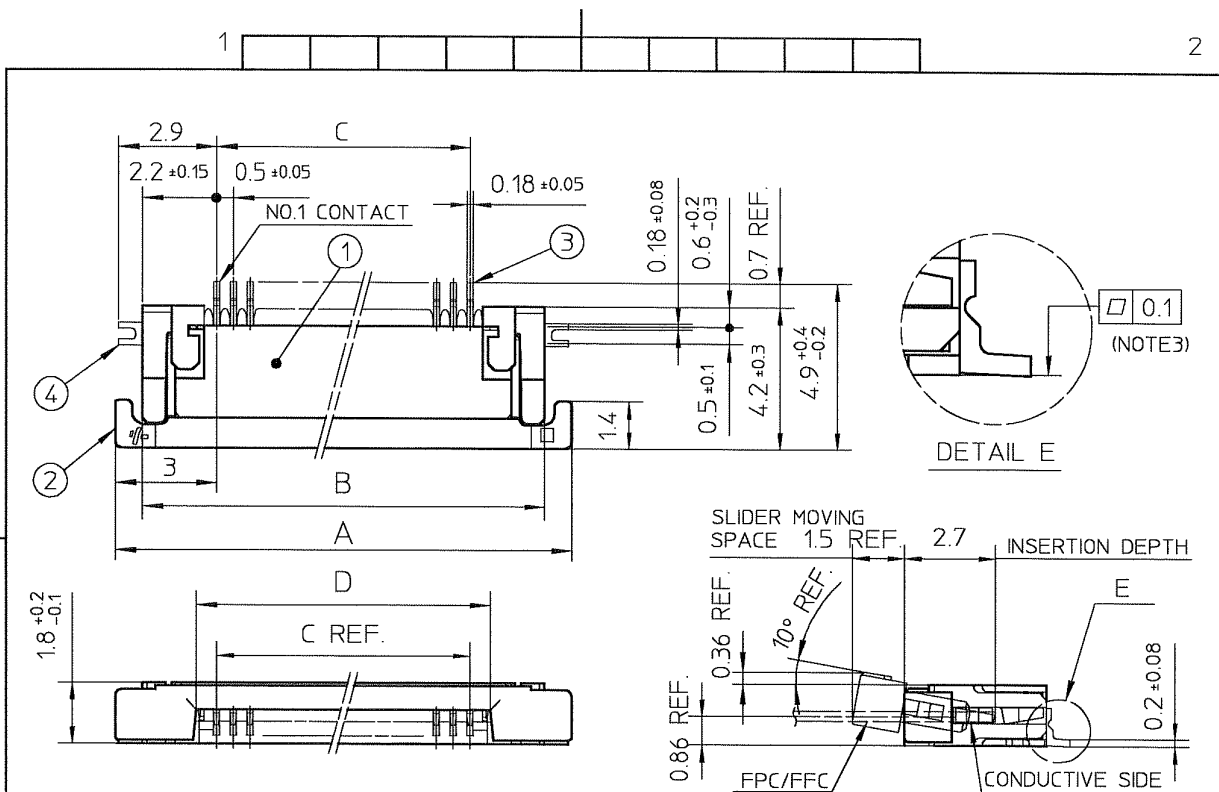
FCIconnect.com

Copyright FCI

mat'l. code				surface ISO 1302 ✓		tolerance ISO 406 ISO 1101		projection		product family 58EF			
ltr				ecn no		dr		date		title			
1				—		S.I		'93/9/9		CAT. NO. TABLE FOR 0.5 mm CONTACT SPACING CONNECTOR (Cat. No. : SFV__R-1/2ST__)			
2				—		M.H		'95/1/17		angles			
3				—		M.I		'97/11/5		linear			
4				J00182		M.Y		'00/4/24		scale X			
AA				J03-0196		H.T		'03/5/1		dwg no			
AB				J06-0372		H.T		'06/9/7		sheet 1 of 1			
										size A4			
										type Product Customer Drawing			
sheet index		revision sheet		AB		1						Rev. AB	

SC-SFV01 JSA92451, 92452, 92453, 92454, 92455, 92456, 92457

form: A4

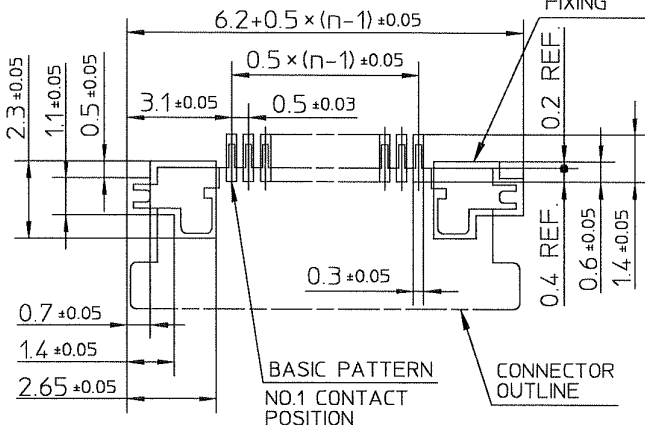


PT. NO.	PARTS NAME	MATERIAL	Q'TY	NOTE
1	HOUSING	POLYAMIDE RESIN GLASS REINFORCED (UL94V-0)	1	COLOR : BLACK
2	SLIDER	PPS RESIN GLASS REINFORCED (UL94V-0)	1	COLOR : BROWN
3	CONTACT	PHOSPHOR BRONZE	n	PLATING : TIN ALLOY
4	MOUNTING PLATE		2	

RECOMMENDED PC BOARD LAYOUT
(COMPONENT SIDE)

PATTERN FOR MOUNTING PLATE
FIXING

n : NO. OF CONTACTS

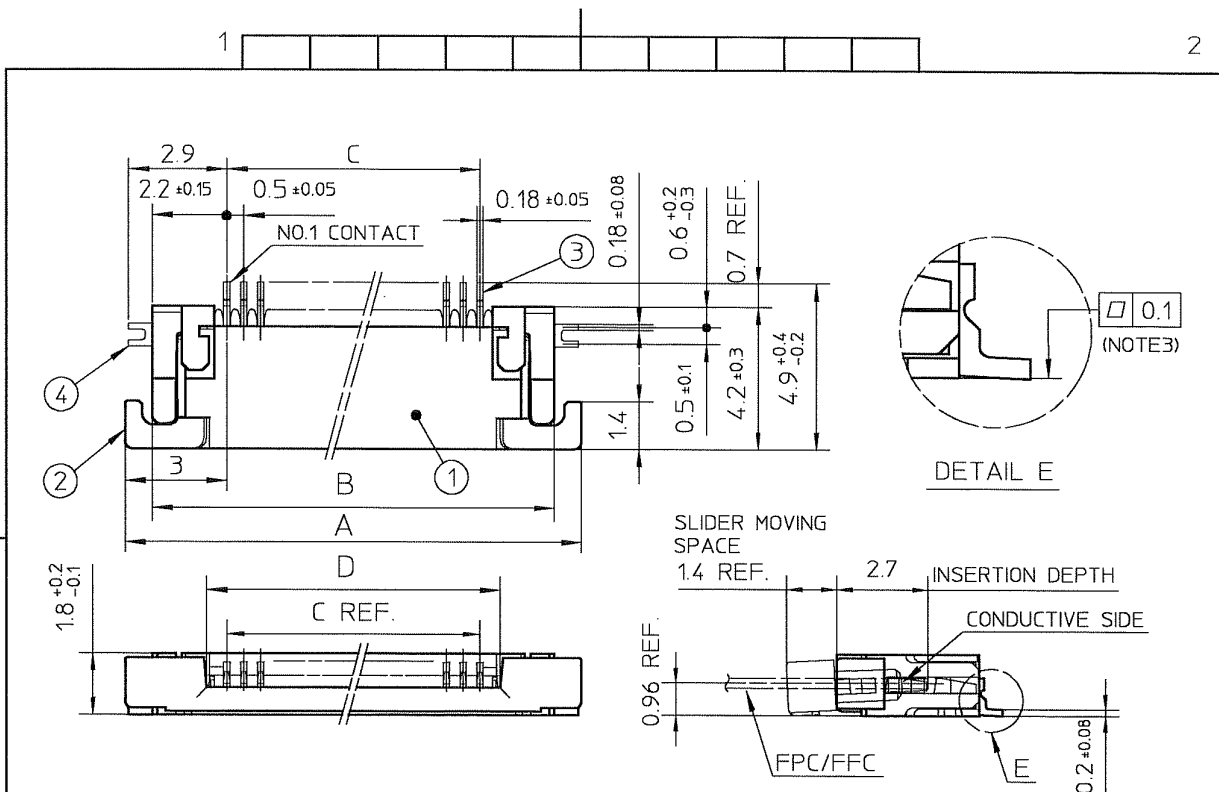


NOTES

1. THIS PRODUCT IS THE CONNECTOR USED FOR FPC/FFC AND COPES WITH AUTOMATIC MOUNTING (SMT).
2. THIS PRODUCT IS LOWER CONTACT TYPE CONNECTOR.
3. FLATNESS OF CONTACT TERMINAL AND MOUNTING PLATE MUST BE WITHIN TOLERANCE IN E PORTION DETAILED DRAWING.

mat'l. code		surface ISO 1302		tolerance ISO 406 ISO 1101		projection		product family 58EF	
ltr		ecn no		dr		date		title	
1		—		S.I		'93/9/9		CONNECTOR USED FOR FPC/FFC WITH 0.5 mm CONTACT SPACING (Cat No. : SFV__R-1ST__)	
2		—		M.H		'94/12/8		dwg no	
3		—		M.H		'95/11/10		sheet 1 of 1	
4		J00182		M.Y		'00/4/24		size	
AA		J03-0196		H.T		'06/5/1		A4	
AB		J06-0064		H.T		'06/2/23		JSA 92451	
AC		J06-0372		H.T		'06/9/7		type Product Customer Drawing	
sheet index		revision sheet		AC		1		Rev. AC	

SC-SFV01 JSA92450 form: A4

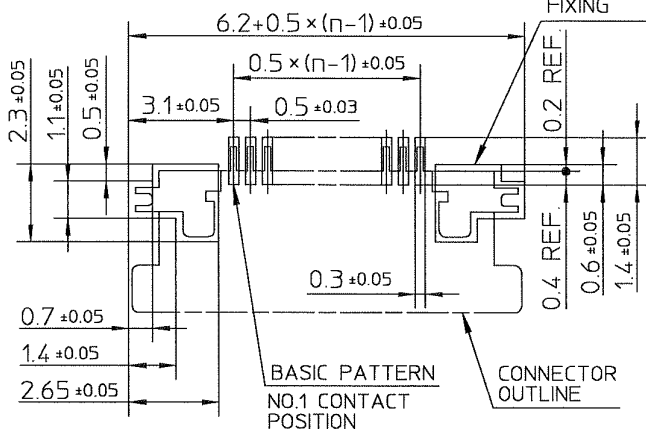


PT. NO.	PARTS NAME	MATERIAL	Q'TY	NOTE
1	HOUSING	POLYAMIDE RESIN GLASS REINFORCED (UL94V-0)	1	COLOR : BLACK
2	SLIDER	PPS RESIN GLASS REINFORCED (UL94V-0)	1	COLOR : BROWN
3	CONTACT	PHOSPHOR BRONZE	n	PLATING : TIN ALLOY
4	MOUNTING PLATE		2	

RECOMMENDED PC BOARD LAYOUT
(COMPONENT SIDE)

PATTERN FOR MOUNTING PLATE
FIXING

n : NO. OF CONTACTS



NOTES

1. THIS PRODUCT IS THE CONNECTOR USED FOR FPC/FFC AND COPEs WITH AUTOMATIC MOUNTING (SMT).
2. THIS PRODUCT IS UPPER CONTACT TYPE CONNECTOR.
3. FLATNESS OF CONTACT TERMINAL AND MOUNTING PLATE MUST BE WITHIN TOLERANCE IN E PORTION DETAILED DRAWING.

mat'l. code				surface ISO 1302 ✓		tolerance ISO 406 ISO 1101		projection		product family 58EF		
ltr	ecn no	dr	date	tolerances unless otherwise specified				±0.2		title		
1	—	S.I	'93/9/9	angles		linear		← →		CONNECTOR USED FOR FPC/FFC WITH 0.5 mm CONTACT SPACING (Cat. No. : SFV__R-2ST__)		
2	—	M.H	'94/12/8					scale X		dwg no		
3	—	M.H	'95/11/10					FCI		sheet 1 of 1		
4	J00182	M.Y	'00/4/24	dr	9/7/06				JSA 92452		size	
AA	J03-0196	H.T	'03/5/1	engr	9/7/06						A4	
AB	J06-0064	H.T	'06/2/23	chr	9/8/06							
AC	J06-0372	H.T	'06/9/7	appd	9/11/06							
sheet index		revision	AC									Rev. AC
sheet		1										

SC-SFV01 JSA92450 form: A4



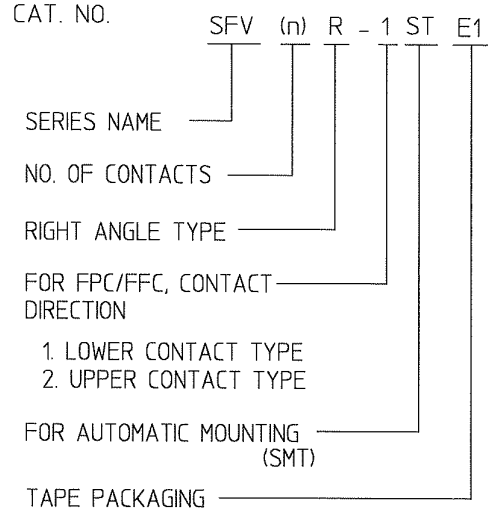
FCIconnect.com

Copyright FCI



CAT. NO. & DIMENSIONS

NO. OF CONTACTS (n)	CAT. NO.	DIMENSIONS (NOTE 3)		
		F ± 5	G ± 0.3	H ± 0.1
4	SFV4R-1/2STE1	20.4	16	—
5	SFV5R-1/2STE1	20.4	16	—
6	SFV6R-1/2STE1	20.4	16	—
7	SFV7R-1/2STE1	28.4	24	—
8	SFV8R-1/2STE1	28.4	24	—
9	SFV9R-1/2STE1	28.4	24	—
10	SFV10R-1/2STE1	28.4	24	—
11	SFV11R-1/2STE1	28.4	24	—
12	SFV12R-1/2STE1	28.4	24	—
13	SFV13R-1/2STE1	28.4	24	—
14	SFV14R-1/2STE1	28.4	24	—
15	SFV15R-1/2STE1	28.4	24	—
16	SFV16R-1/2STE1	28.4	24	—
17	SFV17R-1/2STE1	28.4	24	—
18	SFV18R-1/2STE1	28.4	24	—
19	SFV19R-1/2STE1	28.4	24	—
20	SFV20R-1/2STE1	28.4	24	—
21	SFV21R-1/2STE1	28.4	24	—
22	SFV22R-1/2STE1	28.4	24	—
23	SFV23R-1/2STE1	36.4	32	28.4
24	SFV24R-1/2STE1	36.4	32	28.4
25	SFV25R-1/2STE1	36.4	32	28.4
26	SFV26R-1/2STE1	36.4	32	28.4
27	SFV27R-1/2STE1	36.4	32	28.4
28	SFV28R-1/2STE1	36.4	32	28.4
29	SFV29R-1/2STE1	36.4	32	28.4
30	SFV30R-1/2STE1	36.4	32	28.4
31	SFV31R-1/2STE1	48.4	44	40.4
32	SFV32R-1/2STE1	48.4	44	40.4
33	SFV33R-1/2STE1	48.4	44	40.4
34	SFV34R-1/2STE1	48.4	44	40.4
35	SFV35R-1/2STE1	48.4	44	40.4



NOTES

1. THIS PRODUCT IS THE CONNECTOR USED FOR FPC/FFC AND COPEs WITH AUTOMATIC MOUNTING (SMT).
2. THIS CATALOG NO. INDICATES PLASTIC TAPE PACKAGED CONNECTOR.
3. SEE PART DRAWINGS FOR DIMENSIONS F-H.

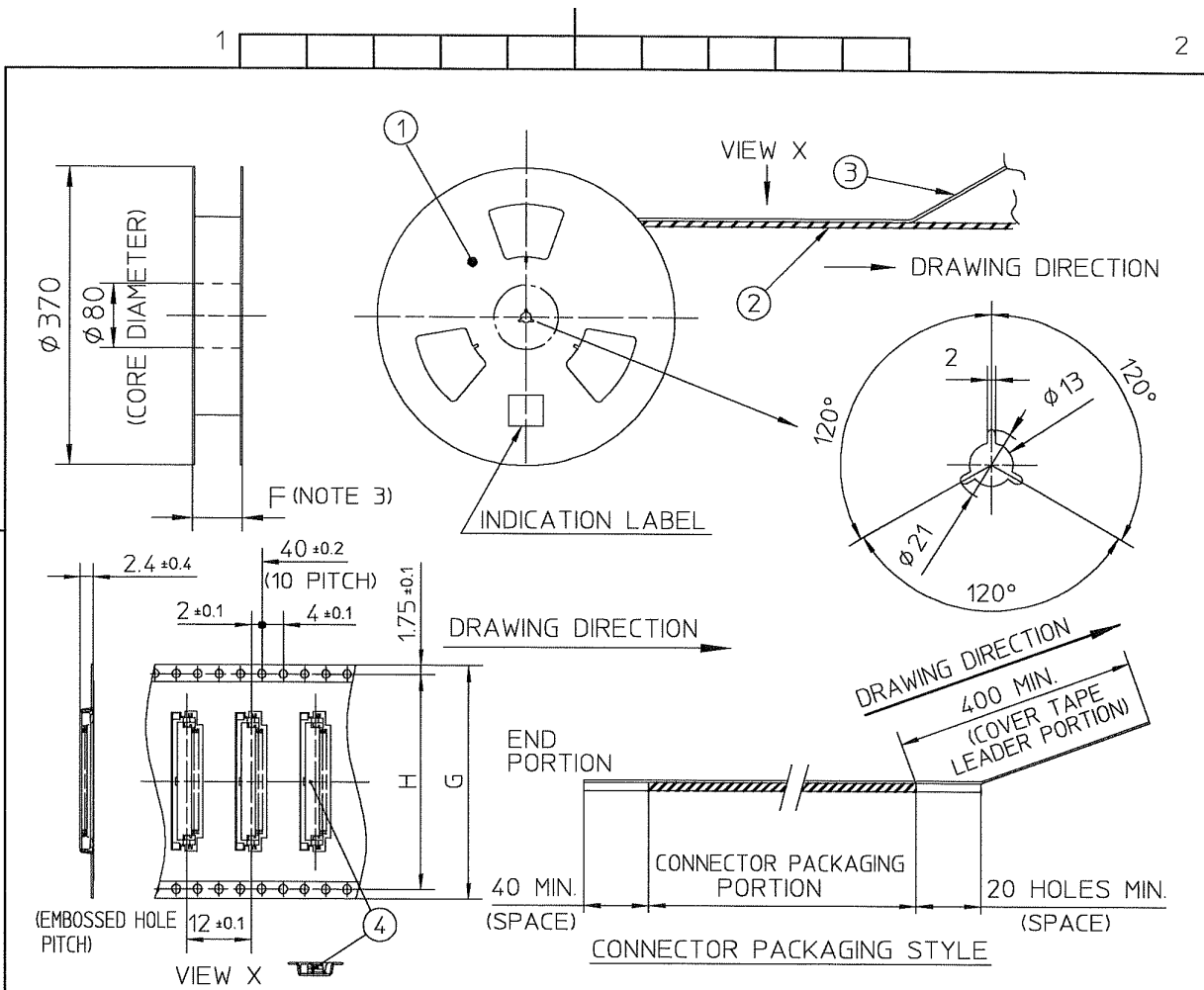


FCIconnect.com

Copyright FCI

mat'l. code				surface ISO 1302 ✓		tolerance ISO 406 ISO 1101		projection 		product family 58EF			
ltr	ecn no	dr	date	tolerances unless otherwise specified						title CAT. NO. TABLE FOR PLASTIC TAPE PACKAGED 0.5 mm CONTACT SPACING CONNECTOR (Cat. No. : SFV__R-1/2STE1)			
4	—	M.I	'97/11/5	angles		linear		scale X					
5	J00182	M.Y	'00/4/24							dwg no sheet 1 of 1 size			
AA	J03-0196	H.T	'03/5/1							JSA 92453 A4			
AB	J06-0372	H.T	'06/9/7	dr		9/7/06				type Product Customer Drawing			
				enr		9/7/06							
				chr		9/8/06							
				appd		9/11/06							
sheet index	revision sheet	AB	1							Rev. AB			

SC-SFV01 JSA92450 form: A4



PT. NO.	PARTS NAME	CAT. NO.	MATERIAL	Q'TY	NOTE
1	REEL	—	CARDBOARD	1	COLOR : WHITE
2	PLASTIC (EMBOSS) TAPE	—	A-PET	—	COLOR : TRANSPARENCY
3	COVER	—	POLYESTER	—	COLOR : TRANSPARENCY
4	CONNECTOR	SFV__R-1ST__	SEE ATTACHED DWG.	3000	LOWER CONTACT TYPE

NOTES

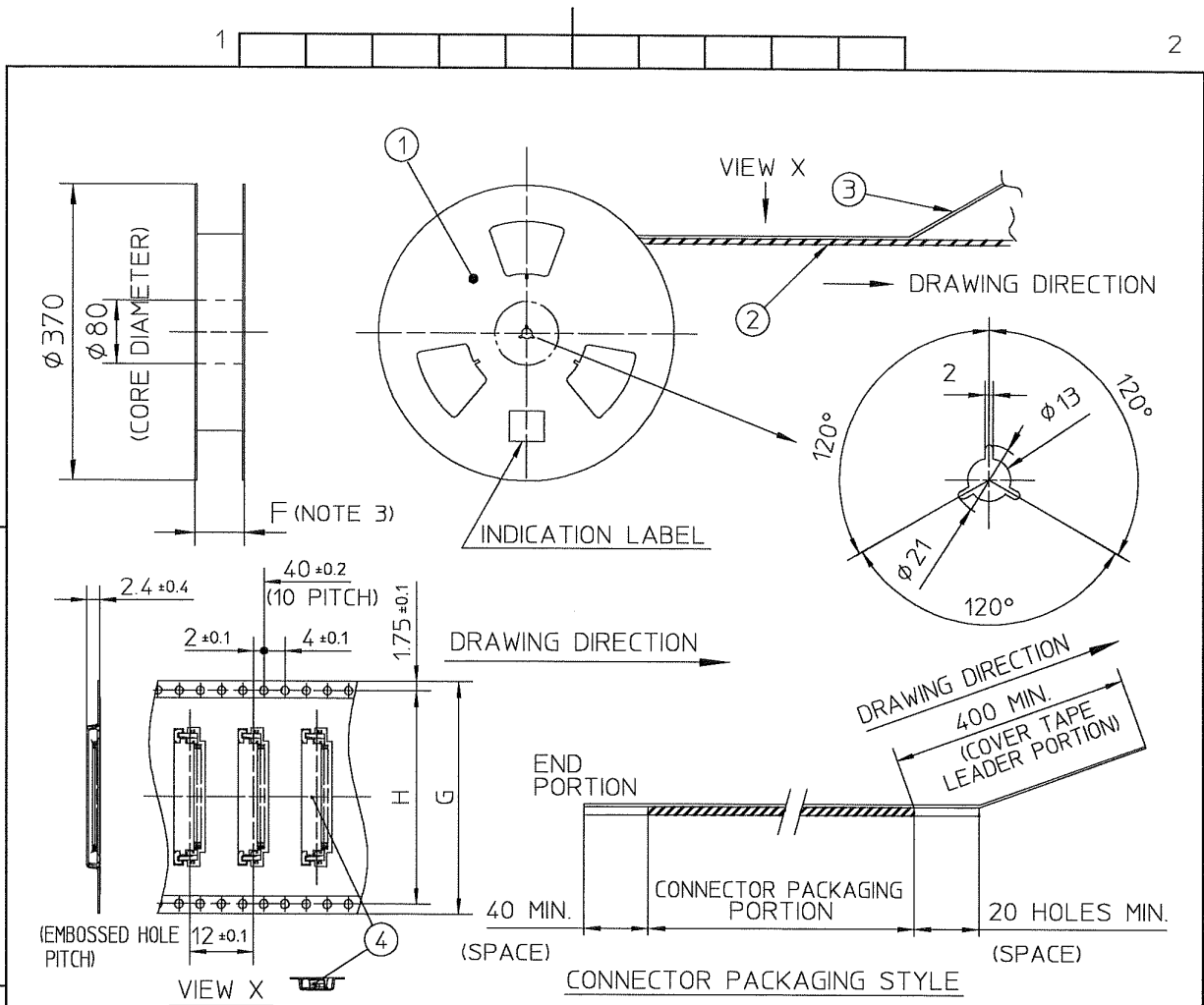
- THIS IS PLASTIC TAPE PACKAGED CONNECTOR USED FOR FPC/FFC AND COPEs WITH AUTOMATIC MOUNTING (SMT).
- SEE JIS C 0806 (PACKING OF ELECTRONIC COMPONENTS ON CONTINUOUS TAPES (SURFACE MOUNTING DEVICES)) FOR SHAPE AND DIMENSIONS OF PLASTIC (EMBOSS) TAPE AND REEL.
- F DIMENSION IS PORTION OF THE CORE.

mat'l. code		surface ISO 1302 ✓		tolerance ISO 406 ISO 1101		projection		product family 58EF	
ltr	ecn no	dr	date	tolerances unless otherwise specified		title		sheet 1 of 1	
1	—	M.K	'96/7/3	±5		PLASTIC TAPE PACKAGED		size	
AA	J03-0196	H.T	'03/5/1	angles	linear	0.5 mm CONTACT SPACING CONNECTOR		A4	
AB	J06-0372	H.T	'06/9/7	±5°		(Cat. No. : SFV__R-1STE1)		sheet 1 of 1	
sheet index		revision	AB	dr	9/7/06	dwg no		sheet 1 of 1	
index		sheet	1	engr	9/7/06	JSA 92454		size	
SC-SFV01		JSA92450		chr	9/8/06	type Product Customer Drawing		A4	
form: A4				appd	9/11/06			Rev. AB	



FCIconnect.com

Copyright FCI



PT. NO.	PARTS NAME	CAT. NO.	MATERIAL	Q'TY	NOTE
1	REEL	_____	CARDBOARD	1	COLOR : WHITE
2	PLASTIC (EMBOSS) TAPE	_____	A-PET	—	COLOR : TRANSPARENCY
3	COVER	_____	POLYESTER	—	COLOR : TRANSPARENCY
4	CONNECTOR	SFV__R-2ST__	SEE ATTACHED DWG.	3000	UPPER CONTACT TYPE

NOTES

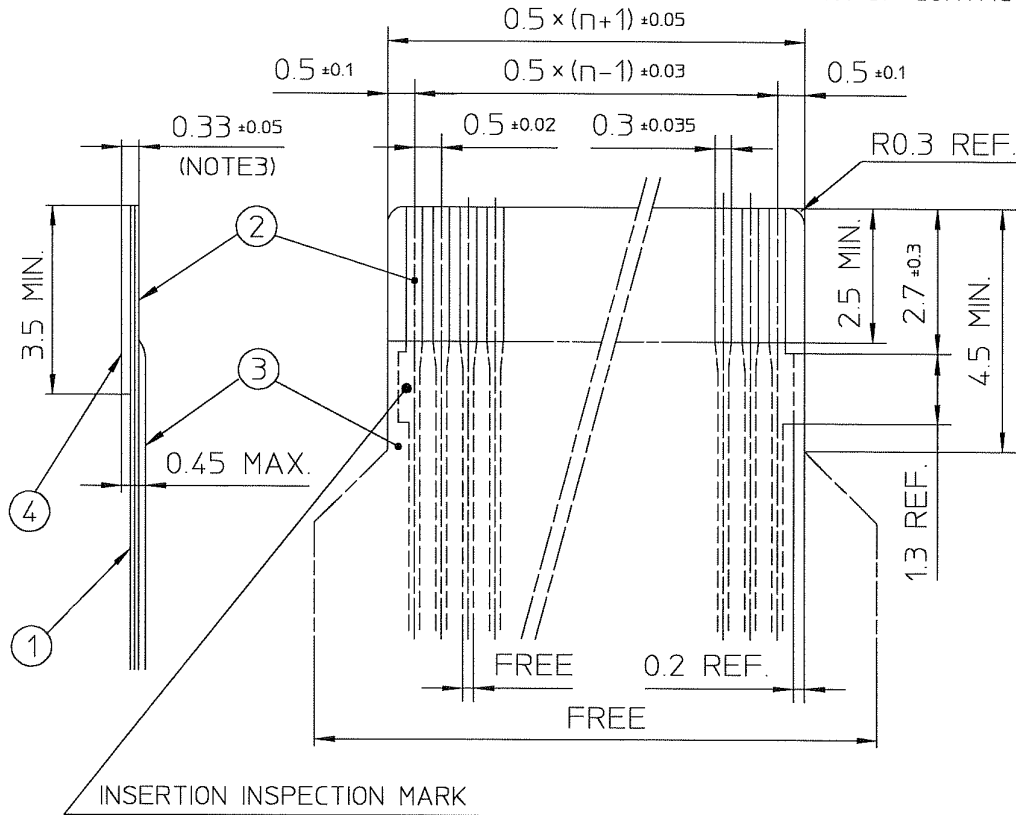
- THIS IS PLASTIC TAPE PACKAGED CONNECTOR USED FOR FPC/FFC AND COPEs WITH AUTOMATIC MOUNTING (SMT).
- SEE JIS C 0806 (PACKING OF ELECTRONIC COMPONENTS ON CONTINUOUS TAPES (SURFACE MOUNTING DEVICES)) FOR SHAPE AND DIMENSIONS OF PLASTIC (EMBOSS) TAPE AND REEL.

CHANGED DRAWING PORTION
FORM CHANGED.

mat'l. code				surface ISO 1302 ✓	tolerance ISO 406 ISO 1101	projection	product family 58EF	
ltr	ecn no	dr	date	tolerances unless otherwise specified			title	
1	—	M.K	'96/7/3	angles	±5		PLASTIC TAPE PACKAGED 0.5 mm CONTACT SPACING CONNECTOR (Cat. No. : SFV__R-2STE1)	
AA	J03-0196	H.T	'03/5/1	linear			dwg no	
AB	J06-0372	H.T	'06/9/7	±5°			sheet 1 of 1	
				dr	<i>[Signature]</i> 9/7/06		JSA 92455	
				engr	<i>[Signature]</i> 9/7/06		size A4	
				chr	<i>[Signature]</i> 9/8/06		type Product Customer Drawing	
				appd	<i>[Signature]</i> 9/7/06			
sheet index	revision sheet	AB	1					Rev. AB

RECOMMENDED CABLE (FPC)

n : NO. OF CONTACTS



PT. NO.	PARTS NAME	MATERIAL	THICKNESS(μm)
1	BASE FILM	POLYIMIDE OR POLYESTER OR EQUAL	25
2	CONDUCTOR	COPPER FOIL(PLATING : SOLDER 1μm MIN.)	35
3	OVERLAY	POLYIMIDE OR POLYESTER OR EQUAL	—
4	SUPPORTING TAPE	POLYESTER OR POLYIMIDE OR EQUAL	188

NOTES

1. NO BURR AT EACH PORTION.
2. NO PEELING IN COMMON USE.
3. TOTAL THICKNESS LIMIT OF EACH MATERIAL (INCLUDING ADHESIVE AGENT) IS SPECIFIED.

mat'l. code				surface ISO 1302 ✓	tolerance ISO 406 ISO 1101	projection 	product family 58EF		
ltr	ecn no	dr	date	tolerances unless otherwise specified			title		
1	—	M.H	'94/12/8	angles	linear		RECOMMENDED CABLE		
AA	J03-0196	H.T	'03/5/1				(Cat. No. : SFV__R-1/2ST__)		
AB	J06-0372	H.T	'06/9/7	dr	<i>[Signature]</i> 9/9/06		dwg no	sheet 1 of 1	
				engr	<i>[Signature]</i> 9/9/06		JSA 92456	size	A4
				chr	<i>[Signature]</i> 9/8/06		type Product Customer Drawing		
				appd	<i>[Signature]</i> 9/11/06				
sheet index	revision sheet	AB	1					Rev. AB	

SC-SFV01 JSA92450 Form: A4

1

2

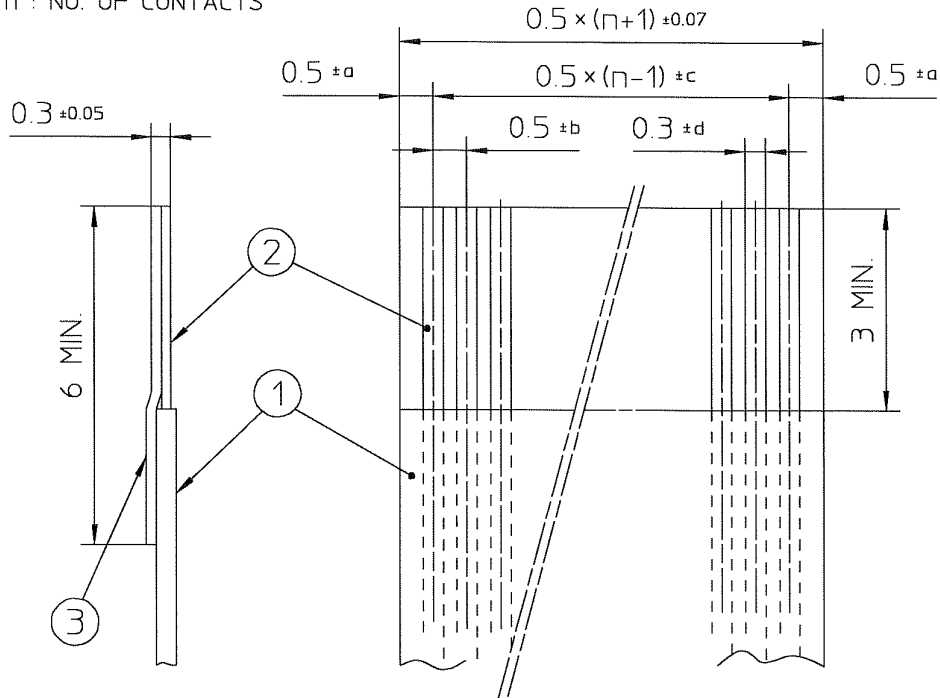


FCIconnect.com

Copyright FCI

RECOMMENDED CABLE (FFC)

n : NO. OF CONTACTS



KIND OF FFC (NOTE3)	DIMENSIONAL TOLERANCE			
	a	b	c	d
1	±0.07	±0.04	±0.05	±0.02
2	±0.1	±0.03	±0.03	±0.025

PT. NO.	PARTS NAME	MATERIAL	NOTE
1	INSULATOR	FLAME RESISTING POLYESTER OR EQUAL	_____
2	CONDUCTOR	COPPER FOIL:THICKNESS 35 OR 50 μm	PLATING : TIN OR SOLDER 1 μm MIN.
3	SUPPORTING TAPE	FLAME RESISTING POLYESTER OR EQUAL	_____

NOTES

1. NO BURR AT EACH PORTION.
2. NO PEELING IN COMMON USE.
3. EITHER KIND1 OR KIND2 OF FFC CAN ACCEPT DIMENSIONAL TOLERANCE a,b,c AND d.

mat'l. code				surface ISO 1302 <input checked="" type="checkbox"/>	tolerance ISO 406 ISO 1101	projection	product family 58EF	
ltr	ecn no	dr	date	tolerances unless otherwise specified			title	
1	—	S.I	'93/9/9	angles	linear		RECOMMENDED CABLE (Cat. No. : SFV__R-1/2ST__)	
AA	J03-0196	H.T	'03/5/1			scale X	sheet 1 of 1	
AB	J06-0372	H.T	'06/9/17	dr	<i>[Signature]</i> 11/27/06		sheet 1 of 1	
AC	J06-0499	H.T	'06/11/27	enr	<i>[Signature]</i> 11/27/06		JSA 92457	
				chr	<i>[Signature]</i> 11/27/06		A4	
				appd	<i>[Signature]</i> 11/28/06	type Product Customer Drawing		
sheet index	revision	AC						Rev. AC
	sheet	1						

SC-SFV01 JSA92450
form: A4



FCIconnect.com

Copyright FCI