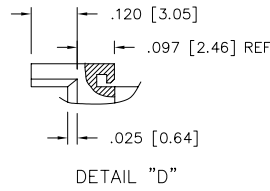
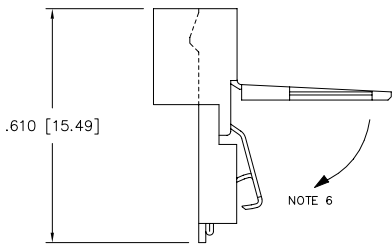
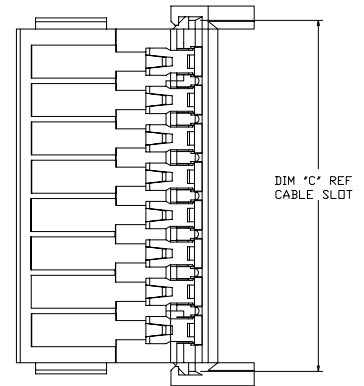
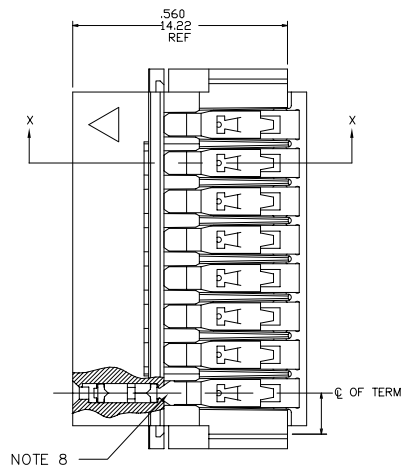
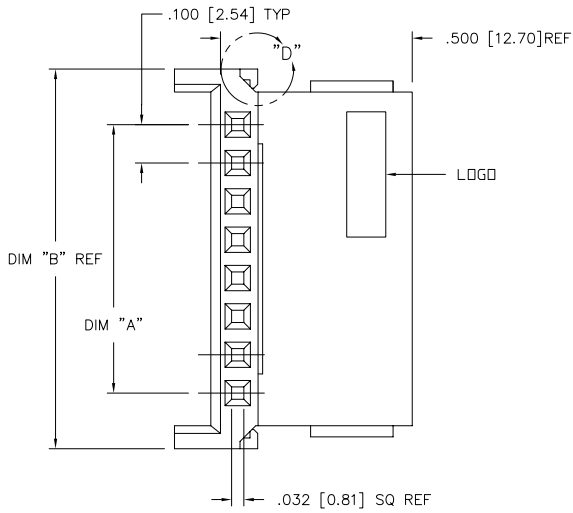


PRODUCT NUMBER
SEE TABLE

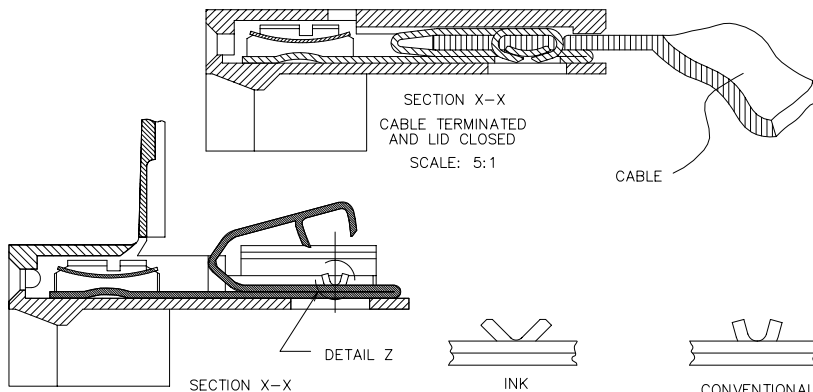


mat'l. code		surface	tolerance	projection	product family
ISO 1302		ISO 406	ISO 1101	CLINCHER	
ltr	ecn no	dr	date	title	
E	V50168	HTB	1/20/95	CLINCHER™ RECEPTACLE ASSEMBLY-LATCHING	
F	V50221	HTB	2/7/95	dwg no	
G	V50244	HTB	2/14/95	67516	
H	V51638	HTB	12/29/95	sheet 1 of 6	size
J	M05-0087	MHT	6/17/05	A3	
K	M06-0233	AGS	06/12/06	type	
L	M07-0170	MHT	3/30/07	Product Customer Drawing	
sheet index	revision	L	L	L	L
1	2	3	4	5	6

PRODUCT NUMBER	PLATING AVAILABLE		
SEE TABLE	PLATING CODE	TERMINAL	SPRING
1	1	100u"/2.54u MIN. THICK PURE TIN	10u"/.25u MIN. THICK PURE TIN
2	2	30u"/.76u MIN. GOLD STRIPE IN BOX AREA	3u"/.08u MIN. GOLD OVER 50u"/1.27u MIN. NICKEL

PRODUCT NUMBER
67516-XXXLF

LEAD FREE OPTION
NOTE 9,10
NO OF POSITIONS
AND PLATING
BASE PART NUMBER



NOTES:

1. HOUSING MATERIAL: THERMOPLASTIC, FLAME RETARDANT PER UL 94V-0. COLOR: BLUE.
2. TERMINAL MATERIAL: 1/2 HARD Cu Ni ALLOY, UNS-C72500.
3. TERMINAL PLATING: SEE TABLE.
4. SEE TA-372 FOR CRIMP HEIGHT.
5. FOR CABLE & CIRCUITRY INFORMATION SEE TA-264 AND TA-371.
6. LATCH SNAPS CLOSED AFTER TERMINATION MAINTAINING A MAX OVER ALL HEIGHT OF .100/2.54.
7. NO CENTER HINGE 2 THRU 8 POSITIONS. SINGLE CENTER HINGE 9 THRU 15 POSITIONS. TWO CENTER HINGES FOR 16 POSITION PARTS.
8. KNURL MARK INDICATES FOR USE WITH INK TERMINATION. CONSULT WITH BERG ELECTRONICS TECHNICAL REPRESENTATIVE FOR SPECIFIC APPLICATIONS.
9. ADD "LF" SUFFIX AT THE END OF PART NUMBER FOR LEAD FREE OPTION.
10. THIS PRODUCT MEETS EUROPEAN UNION DIRECTIVES AND OTHER COUNTRY REGULATION AS DESCRIBED IN GS-22-008.
11. THE PRODUCT IS NOT INTENDED TO BE EXPOSED TO A MANUFACTURING SOLDER PROCESS

mat'l. code	surface ISO 1302	tolerance ISO 406 ISO 1101	projection	product family CLINCHER
ltr	ecn	no	dr	date
L				
tolerances unless otherwise specified				title
angles	linear	.XX±.01/3	INCH/MM	CLINCHER™ RECEPTACLE ASSEMBLY-LATCHING
0°±2'		.XXX±.005/13	scale 1:3	FCJ
dr	M. FETROW	9/15/94		sheet 2 of 6
engr	T. HANNA	9/15/94		size A3
chr	T. BREWBAKER	9/15/94		67516
appd	T. HANNA	9/15/94		type Product Customer Drawing
sheet index	revision sheet			

PRODUCT NUMBER	NO. OF	DIM. A	DIM. A	DIM. B	DIM. B	DIM. C	DIM. C	PLATING	TERMINATION
NOTE 9	POS.	ENGLISH	METRIC	ENGLISH	METRIC	ENGLISH	METRIC	CODE	NOTE 8
67516-001		U N A	S S I G	N E D					
67516-002	2	0.100	2.54	0.390	9.91	0.315	8.00	1	CONVENTIONAL
67516-003	3	0.200	5.08	0.490	12.45	0.415	10.54	1	CONVENTIONAL
67516-004	4	0.300	7.62	0.590	14.99	0.515	13.08	1	CONVENTIONAL
67516-005	5	0.400	10.16	0.690	17.53	0.615	15.62	1	CONVENTIONAL
67516-006	6	0.500	12.70	0.790	20.07	0.715	18.16	1	CONVENTIONAL
67516-007	7	0.600	15.24	0.890	22.61	0.815	20.70	1	CONVENTIONAL
67516-008	8	0.700	17.78	0.990	25.15	0.915	23.24	1	CONVENTIONAL
67516-009	9	0.800	20.32	1.090	27.69	1.015	25.78	1	CONVENTIONAL
67516-010	10	0.900	22.86	1.190	30.23	1.115	28.32	1	CONVENTIONAL
67516-011	11	1.000	25.40	1.290	32.77	1.215	30.86	1	CONVENTIONAL
67516-012	12	1.100	27.94	1.390	35.31	1.315	33.40	1	CONVENTIONAL
67516-013	13	1.200	30.48	1.490	37.85	1.415	35.94	1	CONVENTIONAL
67516-014	14	1.300	33.02	1.590	40.39	1.515	38.48	1	CONVENTIONAL
67516-015	15	1.400	35.56	1.690	42.93	1.615	41.02	1	CONVENTIONAL
67516-016	16	1.500	38.10	1.790	45.47	1.715	43.56	1	CONVENTIONAL

FCI
FCIconnect.com

Copyright FCI

mat'l. code	surface	tolerance	projection	product family
ISO 1302	ISO 406	ISO 1101	1st angle	CLINCHER
ltr	ecn	no	dr	date
L				
tolerances unless otherwise specified		title		
angles	linear	.XX±.01/.3	CLINCHER™ RECEPTACLE	
0°±2'		.XXX±.005/.13	ASSEMBLY-LATCHING	
		.XXXX±.0020/.051	scale 1:3	
dr	M. FETROW	9/15/94	FCI	
engr	T. HANNA	9/15/94	dwg no 67516 sheet 3 of 6 size A3	
chr	T.BREWBAKER	9/15/94	type Product Customer Drawing	
appd	T.HANNA	9/15/94		
sheet index	revision sheet			

PDM: Rev:L STATUS Released Printed: Jul 22, 2010

PRODUCT NUMBER	NO. OF	DIM. A	DIM. A	DIM. B	DIM. B	DIM. C	DIM. C	PLATING	TERMINATION
NOTE 9	POS.	ENGLISH	METRIC	ENGLISH	METRIC	ENGLISH	METRIC	CODE	NOTE 8
67516-201		U N A	S S I G	N E D					
67516-202	2	0.100	2.54	0.390	9.91	0.315	8.00	2	CONVENTIONAL
67516-203	3	0.200	5.08	0.490	12.45	0.415	10.54	2	CONVENTIONAL
67516-204	4	0.300	7.62	0.590	14.99	0.515	13.08	2	CONVENTIONAL
67516-205	5	0.400	10.16	0.690	17.53	0.615	15.62	2	CONVENTIONAL
67516-206	6	0.500	12.70	0.790	20.07	0.715	18.16	2	CONVENTIONAL
67516-207	7	0.600	15.24	0.890	22.61	0.815	20.70	2	CONVENTIONAL
67516-208	8	0.700	17.78	0.990	25.15	0.915	23.24	2	CONVENTIONAL
67516-209	9	0.800	20.32	1.090	27.69	1.015	25.78	2	CONVENTIONAL
67516-210	10	0.900	22.86	1.190	30.23	1.115	28.32	2	CONVENTIONAL
67516-211	11	1.000	25.40	1.290	32.77	1.215	30.86	2	CONVENTIONAL
67516-212	12	1.100	27.94	1.390	35.31	1.315	33.40	2	CONVENTIONAL
67516-213	13	1.200	30.48	1.490	37.85	1.415	35.94	2	CONVENTIONAL
67516-214	14	1.300	33.02	1.590	40.39	1.515	38.48	2	CONVENTIONAL
67516-215	15	1.400	35.56	1.690	42.93	1.615	41.02	2	CONVENTIONAL
67516-216	16	1.500	38.10	1.790	45.47	1.715	43.56	2	CONVENTIONAL



Copyright FCI

mat'l. code	surface	tolerance	projection	product family
ISO 1302	ISO 406	ISO 1101	1st angle	CLINCHER
ltr	ecn	no	dr	date
L				
tolerances unless otherwise specified		.XX±.01/.3	INCH/MM	title
angles	linear	.XXX±.005/.13	scale 1:3	CLINCHER™ RECEPTACLE ASSEMBLY-LATCHING
0°±2'		.XXXX±.0020/.051		dwg no
dr	M. FETROW	9/15/94		67516
engr	T. HANNA	9/15/94		sheet 4 of 6
chr	T. BREWBAKER	9/15/94		size
appd	T. HANNA	9/15/94		A3
sheet index	revision sheet			type
				Product Customer Drawing

PDM: Rev:L STATUS Released Printed: Jul 22, 2010

PRODUCT NUMBER	NO. OF	DIM. A	DIM. A	DIM. B	DIM. B	DIM. C	DIM. C	PLATING	TERMINATION
NOTE 9	POS.	ENGLISH	METRIC	ENGLISH	METRIC	ENGLISH	METRIC	CODE	NOTE 8
67516-501		U N A	S S I G	N E D					
67516-502	2	0.100	2.54	0.390	9.91	0.315	8.00	1	INK
67516-503	3	0.200	5.08	0.490	12.45	0.415	10.54	1	INK
67516-504	4	0.300	7.62	0.590	14.99	0.515	13.08	1	INK
67516-505	5	0.400	10.16	0.690	17.53	0.615	15.62	1	INK
67516-506	6	0.500	12.70	0.790	20.07	0.715	18.16	1	INK
67516-507	7	0.600	15.24	0.890	22.61	0.815	20.70	1	INK
67516-508	8	0.700	17.78	0.990	25.15	0.915	23.24	1	INK
67516-509	9	0.800	20.32	1.090	27.69	1.015	25.78	1	INK
67516-510	10	0.900	22.86	1.190	30.23	1.115	28.32	1	INK
67516-511	11	1.000	25.40	1.290	32.77	1.215	30.86	1	INK
67516-512	12	1.100	27.94	1.390	35.31	1.315	33.40	1	INK
67516-513	13	1.200	30.48	1.490	37.85	1.415	35.94	1	INK
67516-514	14	1.300	33.02	1.590	40.39	1.515	38.48	1	INK
67516-515	15	1.400	35.56	1.690	42.93	1.615	41.02	1	INK
67516-516	16	1.500	38.10	1.790	45.47	1.715	43.56	1	INK

FCI
FCIconnect.com

Copyright FCI

mat'l. code	surface	tolerance	projection	product family
ISO 1302	ISO 406	ISO 1101	1st angle	CLINCHER
ltr	ecn	no	dr	date
L				
tolerances unless otherwise specified		.XX±.01/.3	INCH/MM	title
angles	linear	.XXX±.005/.13	scale 1:3	CLINCHER™ RECEPTACLE
0°±2°		.XXXX±.0020/.051	FCI	ASSEMBLY-LATCHING
dr	M. FETROW	9/15/94		dwg no
enrg	T. HANNA	9/15/94		67516
chr	T.BREWBAKER	9/15/94		sheet 5 of 6
appd	T.HANNA	9/15/94		size
				A3
sheet	revision			type
index	sheet			Product Customer Drawing

PDM: Rev:L STATUS Released Printed: Jul 22, 2010

PRODUCT NUMBER	NO. OF	DIM. A	DIM. A	DIM. B	DIM. B	DIM. C	DIM. C	PLATING	TERMINATION
NOTE 9	POS.	ENGLISH	METRIC	ENGLISH	METRIC	ENGLISH	METRIC	CODE	NOTE 8
67516-701		U N A	S S I G	N E D					
67516-702	2	0.100	2.54	0.390	9.91	0.315	8.00	2	INK
67516-703	3	0.200	5.08	0.490	12.45	0.415	10.54	2	INK
67516-704	4	0.300	7.62	0.590	14.99	0.515	13.08	2	INK
67516-705	5	0.400	10.16	0.690	17.53	0.615	15.62	2	INK
67516-706	6	0.500	12.70	0.790	20.07	0.715	18.16	2	INK
67516-707	7	0.600	15.24	0.890	22.61	0.815	20.70	2	INK
67516-708	8	0.700	17.78	0.990	25.15	0.915	23.24	2	INK
67516-709	9	0.800	20.32	1.090	27.69	1.015	25.78	2	INK
67516-710	10	0.900	22.86	1.190	30.23	1.115	28.32	2	INK
67516-711	11	1.000	25.40	1.290	32.77	1.215	30.86	2	INK
67516-712	12	1.100	27.94	1.390	35.31	1.315	33.40	2	INK
67516-713	13	1.200	30.48	1.490	37.85	1.415	35.94	2	INK
67516-714	14	1.300	33.02	1.590	40.39	1.515	38.48	2	INK
67516-715	15	1.400	35.56	1.690	42.93	1.615	41.02	2	INK
67516-716	16	1.500	38.10	1.790	45.47	1.715	43.56	2	INK



Copyright FCI

mat'l. code	surface	tolerance	projection	product family
ISO 1302	ISO 406	ISO 1101	1st angle	CLINCHER
ltr	ecn	no	dr	date
L				
tolerances unless otherwise specified		.XX±.01/.3	INCH/MM	title
angles	linear	.XXX±.005/.13	scale 1:3	CLINCHER™ RECEPTACLE
0°±2'		.XXXX±.0020/.051	FCI	ASSEMBLY-LATCHING
dr	M. FETROW	9/15/94		dwg no
enrg	T. HANNA	9/15/94		67516
chr	T. BREWBAKER	9/15/94		sheet 6 of 6
appd	T. HANNA	9/15/94		size
				A3
sheet	revision			type
index	sheet			Product Customer Drawing

PDM: Rev:L STATUS Released Printed: Jul 22, 2010