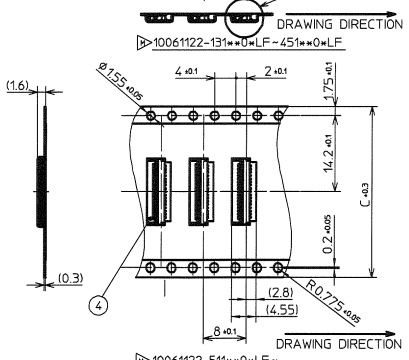
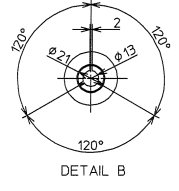
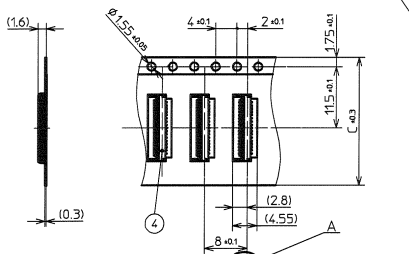
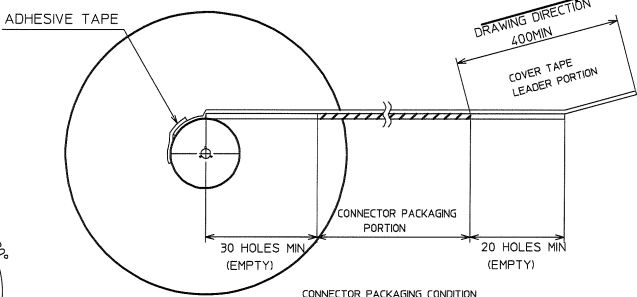
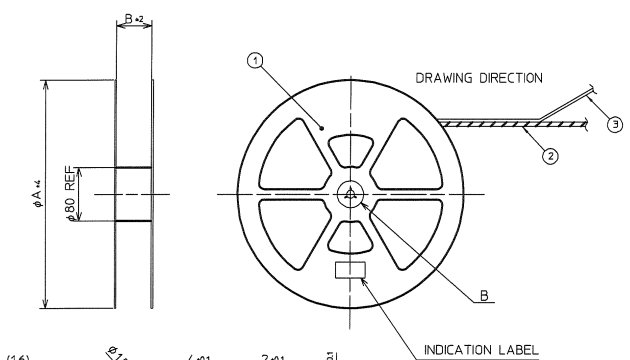


PRODUCT NO  
10061122-\*\*\*1\*\*0\*LF

EMBOSS TAPE	DIMENSIONS		
	# A	B	C
10061122-131**0*LF~451**0*LF	330	25.5	24
10061122-511**0*LF~		33.5	32

PT.NO.	PARTS NAME	PRODUCT NO.	MATERIAL	Q'TY	NOTE
1	REEL		POLYSTYRENE	1	COLOR: WHITE/ELECTRIFICATION PREVENTION PROCESSING
2	EMBOSS TAPE		PP OR PET	1	ELECTRIFICATION PREVENTION PROCESSING
3	COVER TAPE		POLYESTER		
4	CONNECTOR	10061122-***1**0*LF	10061122 SHEET2,3		
		10061122-***1**H*LF	10061122 SHEET4,5,6,7	5000	



NOTE  
1. THIS ARTICLE CARRIES OUT THE EMBOSS TAPE PACKAGE OF THE P/N 10061122 SERIES CONNECTOR  
2. THE SHAPE AND DIMENSION OF THIS ARTICLE ARE BASED ON JIS C 0806 (TAPING OF ELECTRONIC PARTS/SURFACE MOUNTED DEVICE)

- P/N COMPOSITION
- 10061122-\*\*\*1\*\*0\*LF
  - HOUSING MATERIAL 1E: NONE-HALOGEN FREE RESIN 2H: HALOGEN FREE RESIN
  - LEAD FREE
  - PACKAGING FORM: (PLASTIC REEL/EMBOSS TAPE PACKAGE)
  - EMBOSSING TAPE PACKAGE 0: 8mm PITCH
  - PLATING SPEC: (ALL PLATING)
  - MOUNTING 1: SMT/WITH CABLE LOCK 2: SMT/WITHOUT CABLE LOCK 3: SMT/WITH CABLE LOCK/WITH ACTUATOR LOCK 4: SMT/WITHOUT CABLE LOCK/WITH ACTUATOR LOCK
  - CONTACT SIDE 1: DOWN SIDE
  - NO OF POSITION
  - SERIES NAME

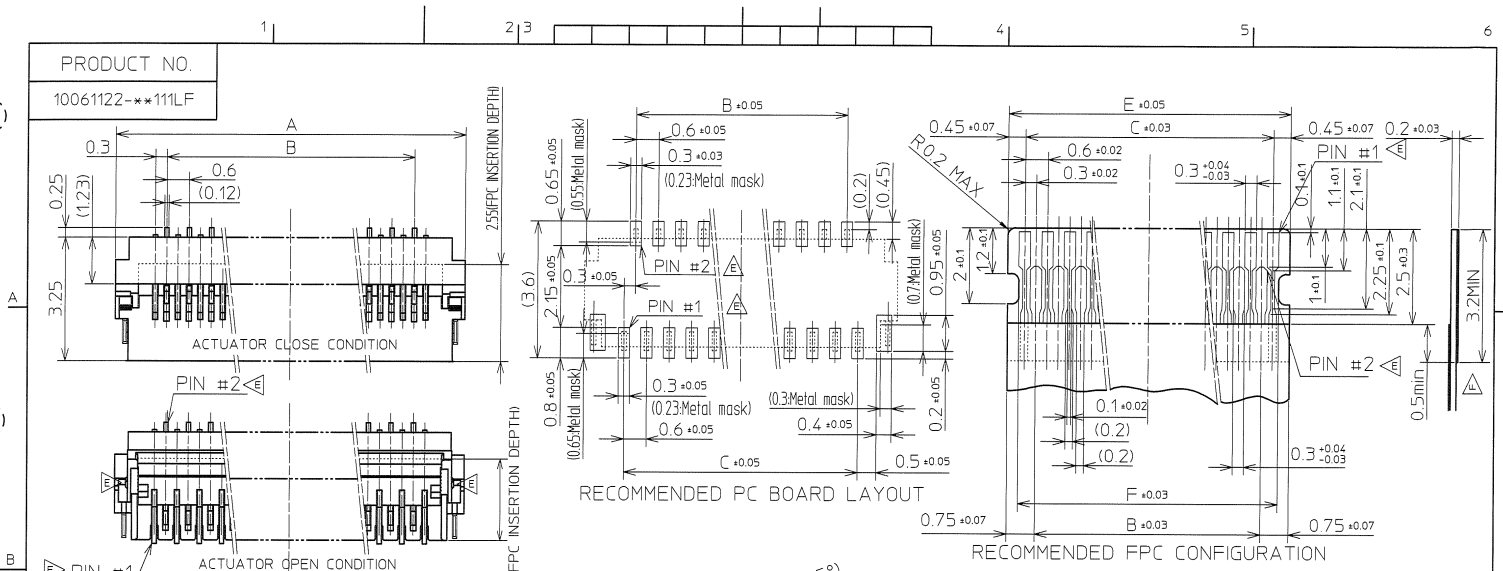
lfr	description	ech no	gr	date	E	REVISION	iso 1302	tolerance	unit	material	projection	product family	code
G	REVISED	27-0399	K.O	26/04/07								587F (YLL-D)	
F	REVISED	27-0399	K.O	23/04/07									
E	REVISED	22-0483	K.O	19/04/04									
D	REVISED	22-0384	K.O	14/04/04									
C	REVISED	22-0378	K.O	14/04/04									
B	REVISED	24-0276	K.O	14/04/04									
A	RELEASED	24-0276	K.O	26/04/04									
J	REVISED	208-0216	K.O	2008-7-28									
H	REVISED	208-0209	K.O	2008-4-28									

PDM: Rev:N STATUS: Released Printed: Oct 15, 2010

Copyright FCI  
FCIconnect.com ID

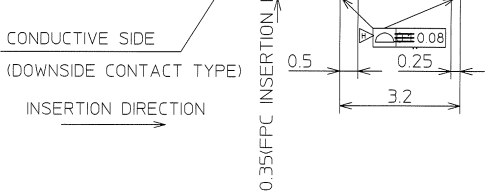
PRODUCT NO.

10061122-\*\*\*111LF



NOTE

- MATERIAL
  - 1 HOUSING: THERMOPLASTIC RESIN UL94V-0-NATURAL
  - 2 ACTUATOR: THERMOPLASTIC RESIN UL94V-0-BLACK
  - 3 CONTACT: COPPER ALLOY
  - 4 FIXING TAB: COPPER ALLOY
- FINISH
  - 1 CONTACT: ALL OVER Ni (WITH Ni BARRIER)  $\Delta$
  - (CONTACT AREA) Au
  - (SOLDER TAIL AREA) Au
  - 2 FIXING TAB: ALL OVER Ni
  - Sn PLATING
- CO-PLANARITY  $\pm 0.08$  MAX  $\Delta$
- THICKNESS OF A METAL MASK: 0.1mm
- FPC
  - ADHESIVE METHOD OF SUPPORTING TAP SHALL BE HEAT CRIMPING METHOD AND THERMOSETTING ADHESIVE MATERIAL SHALL BE USED.
- PRODUCT
  - RECOMMENDED PCB LAYOUT AND FPC AREA THE SAME AS 10064555-\*\*\*2110ELFYLL-UPPER CONTACT TYPE!
- OTHER
  - THIS PRODUCT MEETS EUROPEAN UNION DIRECTIVES AND OTHER COUNTRY REGULATIONS AS DESCRIBED IN GS-22-008



P/N	A	B	C	D	E	F	G
10061122-13111LF	5.7	3.0	3.6	5.2	4.5	3.9	4.53
10061122-15111LF	6.3	3.6	4.2	5.8	5.1	4.5	5.13
10061122-17111LF	6.9	4.2	4.8	6.4	5.7	5.1	5.73
10061122-21111LF	8.1	5.4	6.0	7.6	6.9	6.3	6.93
10061122-23111LF	8.7	6.0	6.6	8.2	7.5	6.9	7.53
10061122-25111LF	9.3	6.6	7.2	8.8	8.1	7.5	8.13
10061122-33111LF	11.7	9.0	9.6	11.2	10.5	9.9	10.53
10061122-35111LF	12.3	9.6	10.2	11.8	11.1	10.5	11.13
10061122-39111LF	13.5	10.8	11.4	13.0	12.3	11.7	12.33
10061122-41111LF	14.1	11.4	12.0	13.6	12.9	12.3	12.93

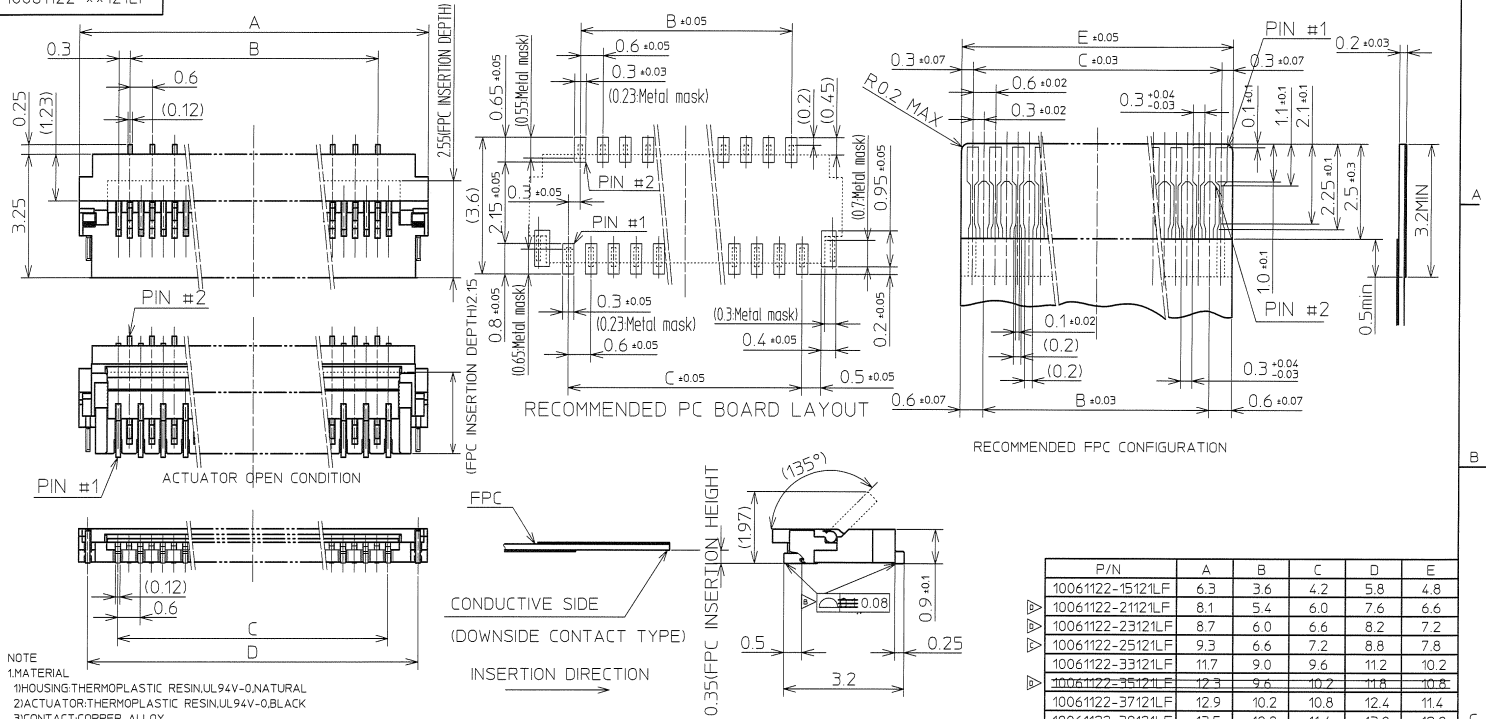
lir	description	ecr no	dr	date	tolerances unless otherwise specified	projection	scale
G	REVISED	J07-0399	K.O	28/Sep/07	ISO 1302	$\oplus$	1:1
F	REVISED	J07-0190	K.O	23/Feb/07	angles	$\ominus$	1:1
E	REVISED	J06-0483	K.O	17/Nov/06	linear	$\ominus$	1:1
D	REVISED	J06-0384	K.O	14/Sep/06	$\pm 2'$	$\ominus$	1:1
C	REVISED	J06-0328	K.O	8/Aug/06		$\ominus$	1:1
B	REVISED	J06-0276	K.O	8/JUL/06		$\ominus$	1:1
A	RELEASED	J06-0216	K.O	26/May/06		$\ominus$	1:1

lir	description	ecr no	dr	date	revision	sheet	index
L	REVISED	J10-0185	T.J	2010-7-6	C	1	1
K	REVISED	J08-0430	K.O	2008-11-10	B	1	1
J	REVISED	J08-0315	K.O	2008-7-28	A	1	1
H	REVISED	J08-0189	K.O	2008-4-28	sheet	1	1
					revision		
					index		

product family	587F	CODE	JP
title	0.3mm PITCH FPC CONNECTOR DOWN CONTACT TYPE		
dwg no	10061122	sheet of	2 of 3
type	Product	Customer	Drawing
Rev			L

PRODUCT NO.

10061122-\*\*-\*\*121LF



NOTE  
 1. MATERIAL  
 1. HOUSING: THERMOPLASTIC RESIN, UL94V-0, NATURAL  
 2. ACTUATOR: THERMOPLASTIC RESIN, UL94V-0, BLACK  
 3. CONTACT: COPPER ALLOY  
 4. FIXING TAB: COPPER ALLOY  
 2. FINISH  
 1. CONTACT: ALL OVER Ni (WITH Ni BARRIER) (CONTACT AREA) Au (SOLDER TAIL AREA) Au  
 2. FIXING TAB: ALL OVER Ni Sn PLATING  
 3. CO-PLANARITY: 0.08 MAX  
 4. THICKNESS OF A METAL MASK: 0.1mm  
 5. FPC  
 ADHESIVE METHOD OF SUPPORTING TAP SHALL BE HEAT CRIMPING METHOD AND THERMOSETTING ADHESIVE MATERIAL SHALL BE USED.  
 6. PRODUCT  
 RECOMMENDED PCB LAYOUT AND FPC AREA THE SAME AS 10064555-\*\*-\*\*2210ELFYLL-UPPER CONTACT TYPE!  
 7. OTHER  
 THIS PRODUCT MEETS EUROPEAN UNION DIRECTIVES AND OTHER COUNTRY REGULATIONS AS DESCRIBED IN GS-22-008

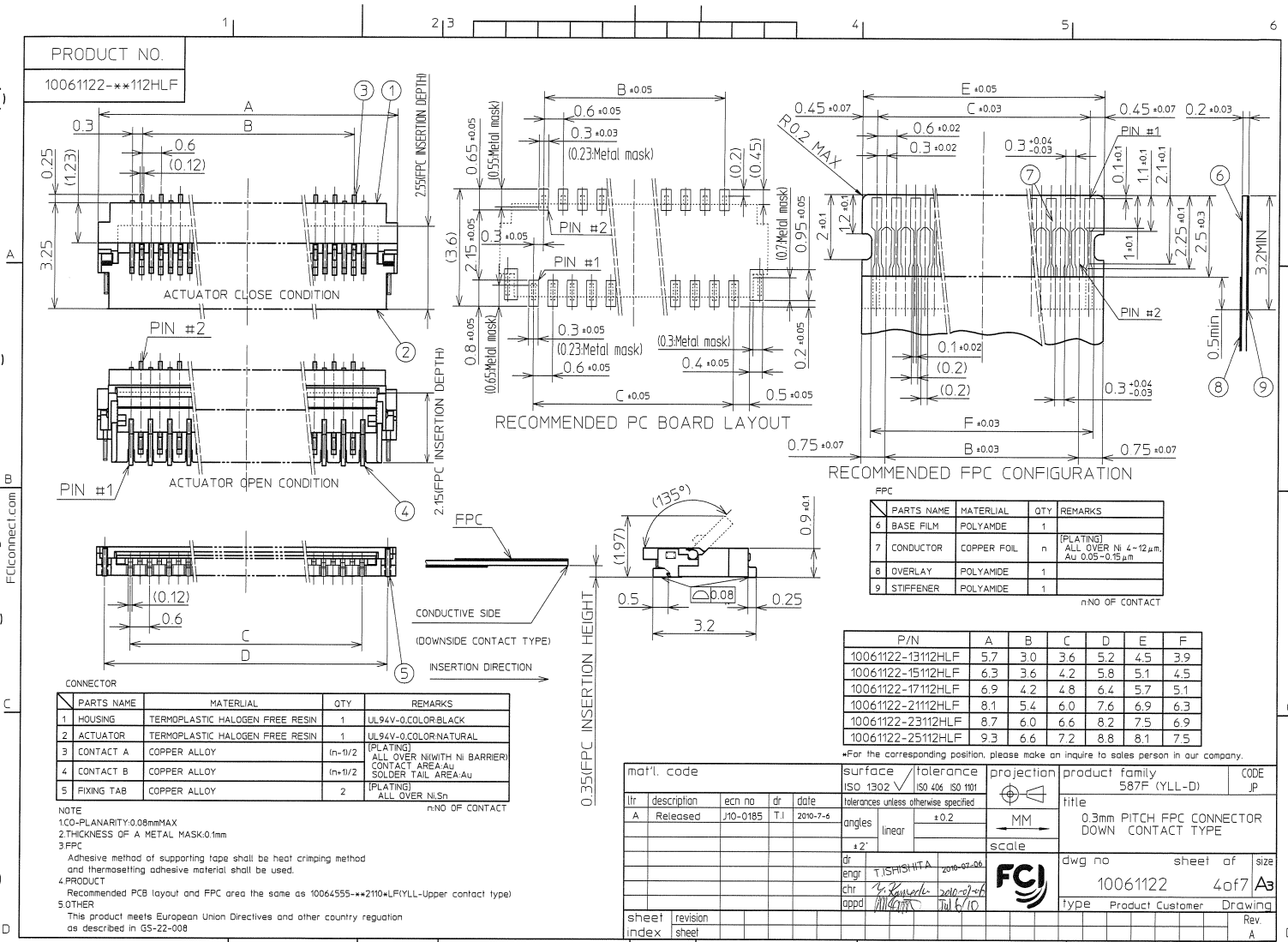
P/N	A	B	C	D	E
10061122-15121LF	6.3	3.6	4.2	5.8	4.8
10061122-21121LF	8.1	5.4	6.0	7.6	6.6
10061122-23121LF	8.7	6.0	6.6	8.2	7.2
10061122-25121LF	9.5	6.6	7.2	8.8	7.8
10061122-33121LF	11.7	9.0	9.6	11.2	10.2
10061122-35121LF	12.3	9.6	10.2	11.8	10.8
10061122-37121LF	12.9	10.2	10.8	12.4	11.4
10061122-39121LF	13.5	10.8	11.4	13.0	12.0
10061122-41121LF	14.1	11.4	12.0	13.6	12.6
10061122-43121LF	14.7	12.0	12.6	14.2	13.2
10061122-45121LF	15.3	12.6	13.2	14.8	13.8

mat'l. code	surface	tolerance	projection	product family	CODE
lir description	ISO 1302	ISO 406 ISO 1101	MM	587F	JP
ecn no	dr	date	angles	linear	±0.2
E REVISED	J10-0185	T.I	2010-7-6		
D REVISED	J10-0073	T.I	2010-5-17		
C REVISED	J08-0430	K.O	2008-11-10		
B REVISED	J08-0189	K.O	2008-4-28		
A RELEASED	J07-0399	K.O	28/Sep/07		

title	0.3mm PITCH FPC CONNECTOR DOWN CONTACT TYPE	
dwg no	10061122	sheet of 3 of 7
type	Product	Customer Drawing

PRODUCT NO.

10061122-\*\*-112HLF



PARTS NAME	MATERIAL	QTY	REMARKS
1 HOUSING	TERMOPLASTIC HALOGEN FREE RESIN	1	UL94V-0.COLOR:BLACK
2 ACTUATOR	TERMOPLASTIC HALOGEN FREE RESIN	1	UL94V-0.COLOR:NATURAL
3 CONTACT A	COPPER ALLOY	(n-1)/2	[PLATING] ALL OVER Ni(WITH Ni BARRIER) CONTACT AREA: Au SOLDER TAIL AREA: Au
4 CONTACT B	COPPER ALLOY	(n-1)/2	[PLATING] ALL OVER Ni:Sn
5 FIXING TAB	COPPER ALLOY	2	[PLATING] ALL OVER Ni:Sn

NOTE  
 1.CO-PLANARITY:0.08mmMAX  
 2.THICKNESS OF A METAL MASK:0.1mm  
 3.FPC  
 Adhesive method of supporting tape shall be heat crimping method and thermosetting adhesive material shall be used.  
 4.PRODUCT  
 Recommended PCB layout and FPC area the same as 10064555-\*\*-2110-LF(YLL-Upper contact type)  
 5.OTHER  
 This product meets European Union Directives and other country regulation as described in GS-22-008

PARTS NAME	MATERIAL	QTY	REMARKS
6 BASE FILM	POLYAMIDE	1	
7 CONDUCTOR	COPPER FOL	n	[PLATING] ALL OVER Ni 4~12µm, Au: 0.05~0.15µm
8 OVERLAY	POLYAMIDE	1	
9 STIFFENER	POLYAMIDE	1	

n: NO OF CONTACT

P/N	A	B	C	D	E	F
10061122-13112HLF	5.7	3.0	3.6	5.2	4.5	3.9
10061122-15112HLF	6.3	3.6	4.2	5.8	5.1	4.5
10061122-17112HLF	6.9	4.2	4.8	6.4	5.7	5.1
10061122-21112HLF	8.1	5.4	6.0	7.6	6.9	6.3
10061122-23112HLF	8.7	6.0	6.6	8.2	7.5	6.9
10061122-25112HLF	9.3	6.6	7.2	8.8	8.1	7.5

mat'l. code surface tolerance projection product family CODE  
 ISO 1302 ISO 406 ISO 101 587F (YLL-D) JP

title 0.3mm PITCH FPC CONNECTOR DOWN CONTACT TYPE

dwg no 10061122 sheet of 4 of 7 size A3

type Product Customer Drawing Rev A

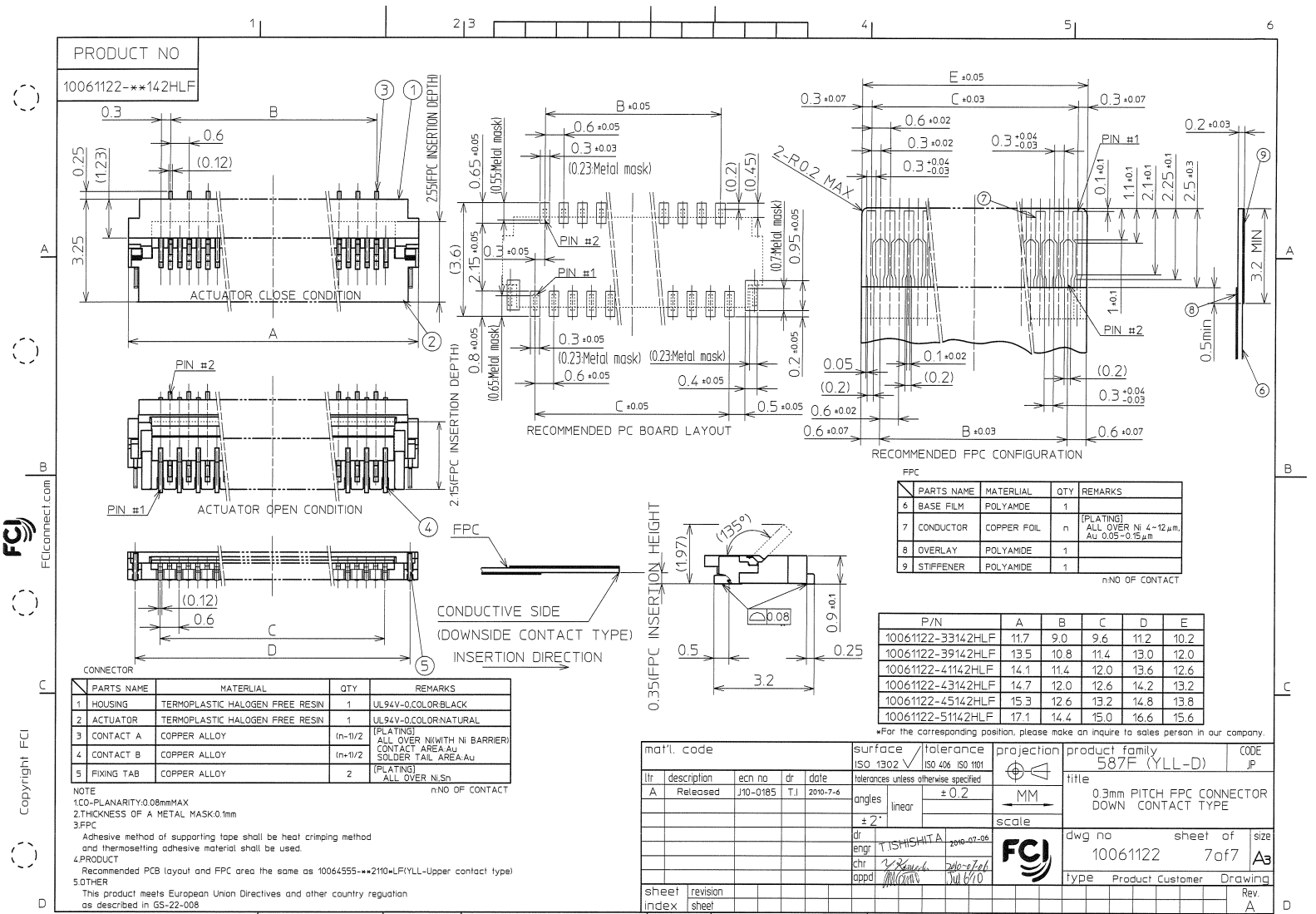
engr T. ISHIIHITA 2010-07-06  
 chr S. KAWABE 2010-07-06  
 appd M. ITO 2010-07-06

scale

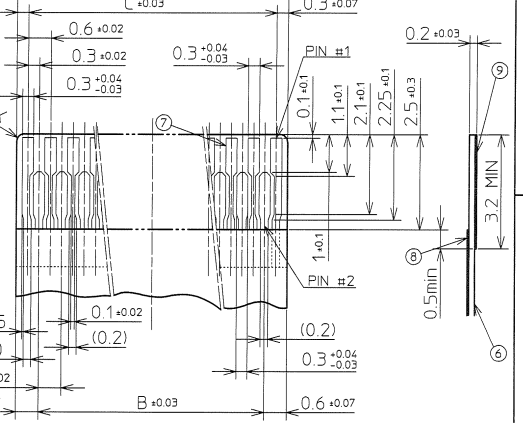
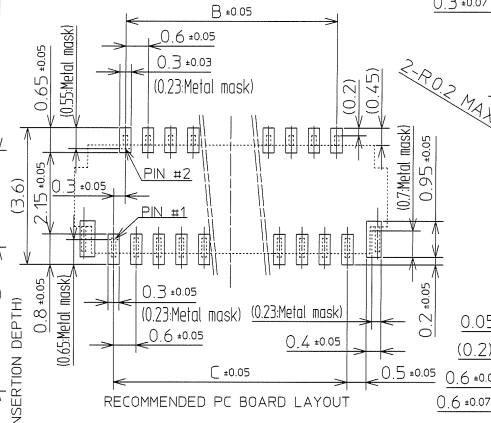
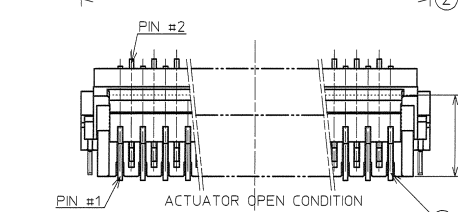
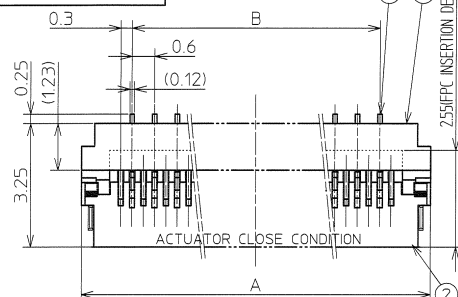
sheet revision index sheet







PRODUCT NO  
10061122-\*\*-142HLF



CONNECTOR	PARTS NAME	MATERIAL	QTY	REMARKS
1	HOUSING	TERMOPLASTIC HALOGEN FREE RESIN	1	UL94V-0,COLOR:BLACK
2	ACTUATOR	TERMOPLASTIC HALOGEN FREE RESIN	1	UL94V-0,COLOR:NATURAL
3	CONTACT A	COPPER ALLOY	(n-1)/2	[PLATING] ALL OVER Ni(WITH Ni BARRIER) CONTACT AREA Au SOLDER TAIL AREA Au
4	CONTACT B	COPPER ALLOY	(n-1)/2	[PLATING] ALL OVER Ni(WITH Ni BARRIER) CONTACT AREA Au SOLDER TAIL AREA Au
5	FIXING TAB	COPPER ALLOY	2	[PLATING] ALL OVER Ni Sn

NOTE  
1.CO-PLANARITY:0.08mmMAX  
2.THICKNESS OF A METAL MASK:0.1mm  
3.FPC  
Adhesive method of supporting tape shall be heat crimping method and thermosetting adhesive material shall be used.  
4.PRODUCT Recommended PCB layout and FPC area the same as 10064555-\*\*-2110-LF(YLL-Upper contact type)  
5.OTHER This product meets European Union Directives and other country regulation as described in GS-22-008

PARTS NAME	MATERIAL	QTY	REMARKS
6	BASE FILM	POLYAMIDE	1
7	CONDUCTOR	COPPER FOIL	n [PLATING] ALL OVER Ni (4~12µm) Au 0.05~0.15µm
8	OVERLAY	POLYAMIDE	1
9	STIFFENER	POLYAMIDE	1

n: NO OF CONTACT

P/N	A	B	C	D	E
10061122-33142HLF	11.7	9.0	9.6	11.2	10.2
10061122-39142HLF	13.5	10.8	11.4	13.0	12.0
10061122-41142HLF	14.1	11.4	12.0	13.6	12.6
10061122-43142HLF	14.7	12.0	12.6	14.2	13.2
10061122-45142HLF	15.3	12.6	13.2	14.8	13.8
10061122-51142HLF	17.1	14.4	15.0	16.6	15.6

mat'l. code surface tolerance ISO 1302 ✓ ISO 406 ISO 1101  
dr description ecn no dr date tolerances unless otherwise specified  
A Released J10-0185 T.J 2010-7-6 angles linear ± 0.2  
± 2° scale  
dr engr TISHISHITA 2010.07.06  
chr Y. Kouchi 2010-07-06  
appd M. Ochi 2010-07-06

projection product family CODE  
product family 587F (YLL-D) JP  
title 0.3mm PITCH FPC CONNECTOR DOWN CONTACT TYPE  
dwg no 10061122 sheet of 7 of 7 size A3  
type Product customer Drawing Rev. A

sheet index revision sheet