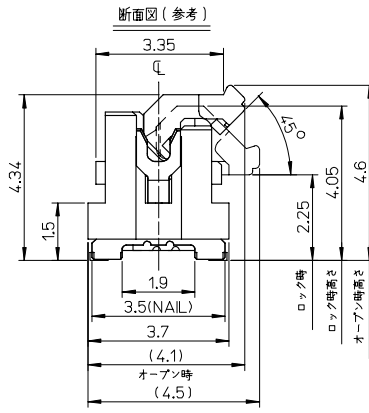
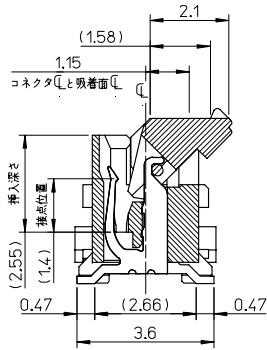
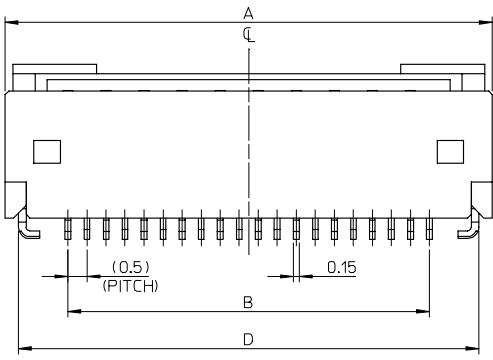
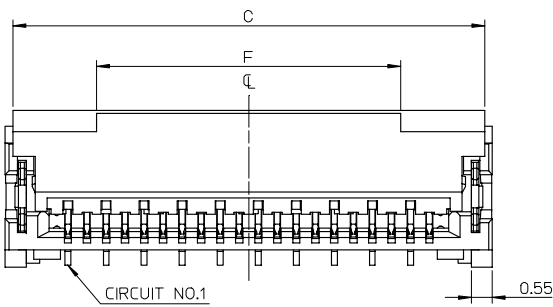


10 9 8 7 6 5 4 3 2 1



注記
NOTES

- 材質
MATERIAL
ハウジング: LCP (液晶ポリマー)、ガラス充填、白色、UL94V-0
HOUSING: LCP (LIQUID CRYSTAL POLYMER),
GLASS FILLED, WHITE, UL94V-0
アクチュエータ: ポリアミド 9T、ガラス充填、茶色、UL94V-0
ACTUATOR: POLYAMIDE 9T,
GLASS FILLED, BROWN, UL94V-0
ターミナル: 銅合金 (t=0.15)
TERMINAL: COPPER ALLOY (t=0.15)
金具: 銅合金 (t=0.2)
NAIL: COPPER ALLOY (t=0.2)
- メッキ仕様
PLATING
ターミナル
TERMINAL
銅ビスマスメッキ
TIN BISMUTH PLATING
下地メッキ: ニッケルメッキ
UNDER PLATING: NICKEL PLATING
金具
NAIL
銅メッキ
TIN PLATING
下地メッキ: ニッケルメッキ
UNDER PLATING: NICKEL PLATING
- テールと金具を併せた平坦度は、0.1ミリメートル以下。
TAILS AND NAILS COPLANARITY TO BE 0.1 MAXIMUM.
- ELV及びRoHS適合品
ELV AND ROHS COMPLIANT.

B	30.7	32.1	32.4	29.5	32.8	501951-6009	60
	25.7	27.1	27.4	24.5	27.8	501951-5009	50
	23.2	24.6	24.9	22	25.3	501951-4509	45
	20.7	22.1	22.4	19.5	22.8	501951-4009	40
	16.7	18.1	18.4	15.5	18.8	501951-3209	32
	15.7	17.1	17.4	14.5	17.8	501951-3009	30
	12.7	14.1	14.4	11.5	14.8	501951-2409	24
	F	E	D	C	B	A	MATERIAL NO.

REVISED	EC NO: J2007-2987	2007/04/26	GENERAL TOLERANCES (UNLESS SPECIFIED)		DIMENSION STYLE		SCALE	DESIGN UNITS	THIRD ANGLE PROJECTION
	DRWN: TRSUZUKI	2007/04/26	10 UNDER	±0.2	MM ONLY		10:1	METRIC	
	CHKD: HIRATA	2007/04/26	10 OVER 30 UNDER	±0.25	DRAWN BY		TITLE		
	APPR: HIRATA	2007/04/26	30 OVER	±0.3	DATE		0.5 FPC CONN. HSG ASSY EASY ON / STRAIGHT (TIN-BISMUTH)		
	REV	DESCRIPTION		ANGULAR	±1 °	DATE		MOLEX INCORPORATED	
B			DRAFT WHERE APPLICABLE MUST REMAIN WITHIN DIMENSIONS		DATE		SD-501951-001		
					APPROVED BY		DOCUMENT NO.		
					MSASAO		SD-501951-001		
					DATE		SHEET NO.		
					2005/12/05		1 OF 2		
					2005/12/05		THIS DRAWING CONTAINS INFORMATION THAT IS PROPRIETARY TO MOLEX INCORPORATED AND SHOULD NOT BE USED WITHOUT WRITTEN PERMISSION		

10 9 8 7 6 5 4 3 2 1

F F

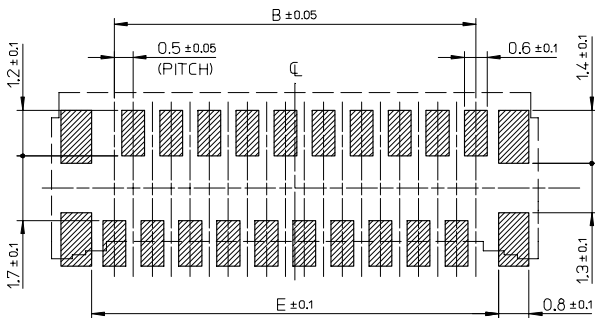
E E

D D

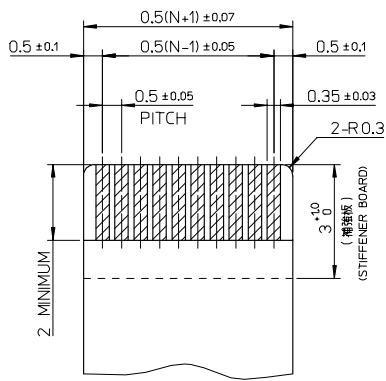
C C

B B

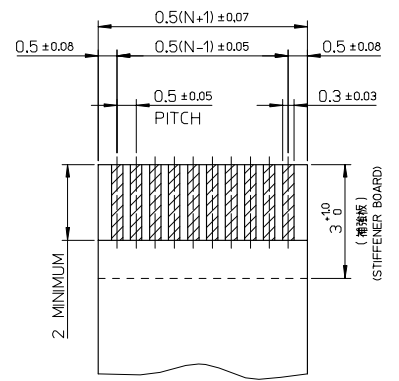
A A



参考基板レイアウト (マウント面)
P.C. BOARD PATTERN DIMENSION (REF.)
(MOUNT AREA)



適合FPC推奨寸法
APPLICABLE FPC
RECOMMENDED DIMENSION
(仕上がり厚さ: 0.3 ± 0.03)
N: 極数
N: CIRCUITS



適合FFC推奨寸法
APPLICABLE FFC
RECOMMENDED DIMENSION
(仕上がり厚さ: 0.3 ± 0.03)
N: 極数
N: CIRCUITS

FPCについて:
打抜き方向は導体側から補強板側を推奨致します。
補強フィルム材質はポリイミドを推奨致します。
接着剤は熱硬化接着剤を推奨致します。

ABOUT FPC:
RECOMMENDED PUNCHER DIRECTION:
FROM CONDUCTOR SIDE TO STIFFENER BOARD SIDE.
RECOMMENDED MATERIAL:
STIFFENER FILM: POLYIMIDE
BONDING AGENT: THERMOSETTING BONDING AGENT

SEE SHEET 1 EC NO: J2007-2987 DRWN: TRSUZUKI 2007/04/26 CHKD: HIRATA 2007/04/26 APPR: HIRATA 2007/04/26	GENERAL TOLERANCES (UNLESS SPECIFIED)		DIMENSION STYLE MM ONLY		SCALE 10:1	DESIGN UNITS METRIC	THIRD ANGLE PROJECTION
	10 UNDER	± 0.2	DRAWN BY TRSUZUKI	DATE 2005/12/05	TITLE 0.5 FPC CONN. HSG ASSY EASY ON / STRAIGHT (TIN-BISMUTH) MOLEX INCORPORATED		
	10 OVER 30 UNDER	± 0.25	CHECKED BY HIRATA	DATE 2005/12/05			
	30 OVER	± 0.3	APPROVED BY MSASAO	DATE 2005/12/05			
ANGULAR	± 1 °	MATERIAL NO. SEE SHEET 1		DOCUMENT NO. SD-501951-001	SHEET NO. 2 OF 2		
DRAFT WHERE APPLICABLE MUST REMAIN WITHIN DIMENSIONS		THIS DRAWING CONTAINS INFORMATION THAT IS PROPRIETARY TO MOLEX INCORPORATED AND SHOULD NOT BE USED WITHOUT WRITTEN PERMISSION					

10 9 8 7 6 5 4 3 2 1

F

E

D

C

B

A

F

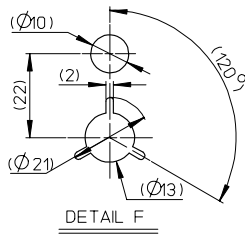
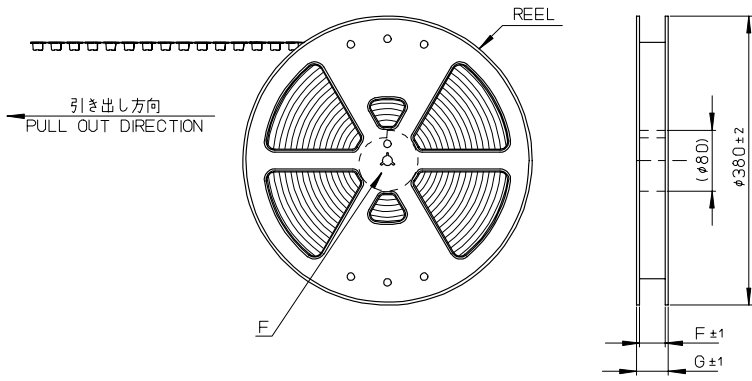
E

D

C

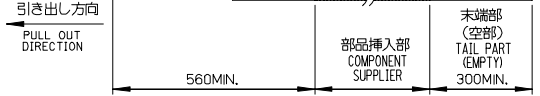
B

A

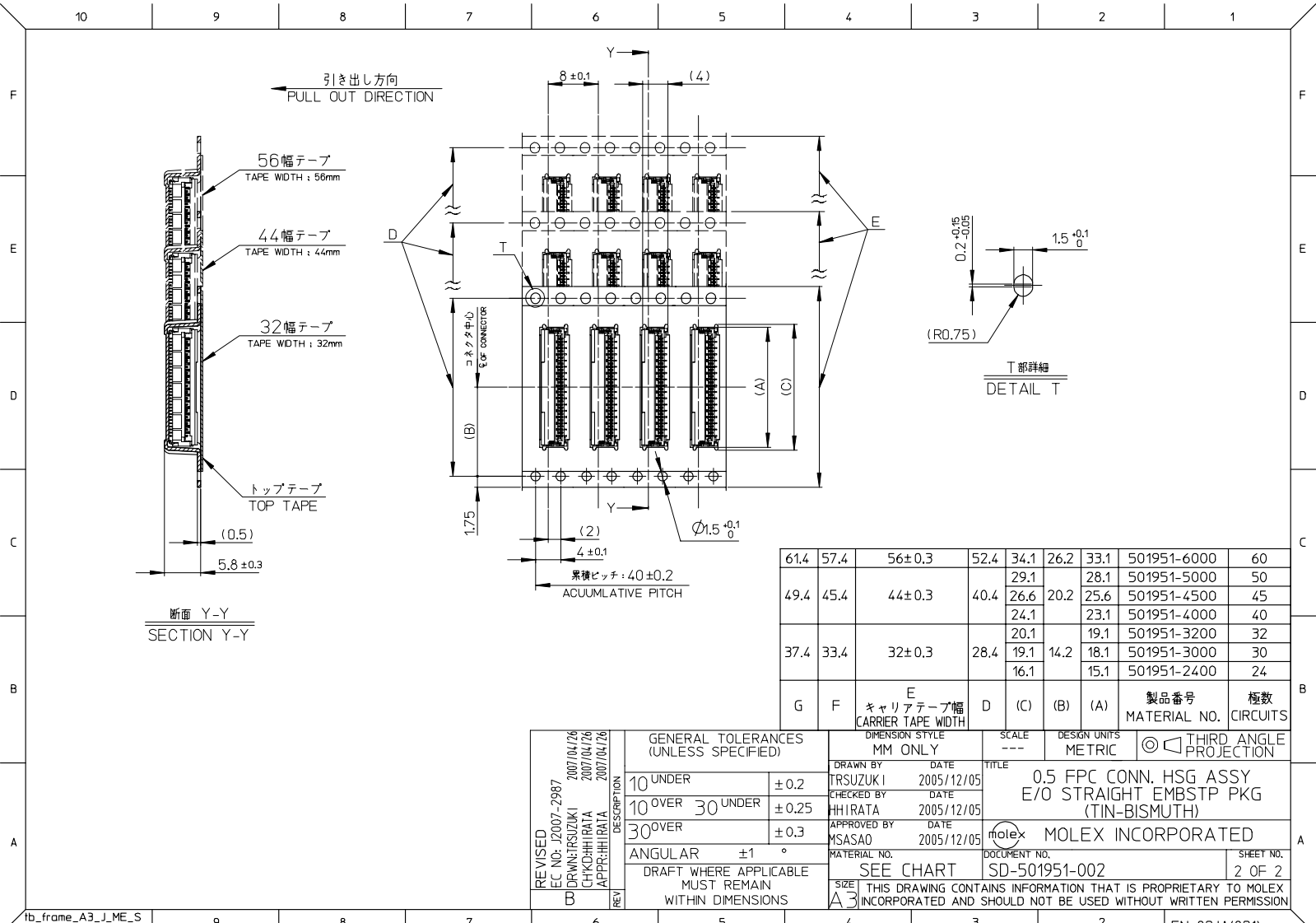


NOTES

- 製品詳細寸法については SD-501951-001 を参照ください。
RE DETAILED DIMENSION, SEE SD-501951-001
- 梱包数量: 2000 個/リール
NUMBER OF CONNECTORS: 2000 PIECES/REEL
- リードテープ長さ
LEAD TAPE LENGTH
トップテープ接着部(空エンボス)
20 PIECES, MIN.
TOP TAPE BONDED PART (EMPTY)
部品挿入部
COMPONENT SUPPLIER
560MIN.
末端部
(空部)
TAIL PART
(EMPTY)
300MIN.
- 材料
MATERIAL
キャリアテープ: ポリプロピレン (PP)
CARRIER TAPE: POLYPROPYLENE (PP)
トップテープ: PET, PE, REF
TOP TAPE
リール: ポリスチレン (リサイクル材を含む)
REEL: POLYSTYRENE (RECYCLE MATERIAL CONTAINED)
- ELV 及び RoHS 適合品
ELV AND RoHS COMPLIANT.



REVISED EC NO: J2007-2987 2007/04/26 DRWN: TRSUZUKI CHKD: HIRATA APPR: HIRATA 2007/04/26	GENERAL TOLERANCES (UNLESS SPECIFIED)		DIMENSION STYLE MM ONLY		SCALE ---	DESIGN UNITS METRIC	THIRD ANGLE PROJECTION
	10 UNDER	± 0.2	DRAWN BY TRSUZUKI	DATE 2005/12/05	TITLE 0.5 FPC CONN. HSG ASSY E/O STRAIGHT EMBSTP PKG (TIN-BISMUTH) MOLEX INCORPORATED		
	10 OVER 30 UNDER	± 0.25	CHECKED BY HIRATA	DATE 2005/12/05			
	30 OVER	± 0.3	APPROVED BY MSASAO	DATE 2005/12/05			
ANGULAR	$\pm 1^\circ$	MATERIAL NO. SEE SHEET 2		DOCUMENT NO. SD-501951-002			
DRAFT WHERE APPLICABLE MUST REMAIN WITHIN DIMENSIONS		SIZE A3		THIS DRAWING CONTAINS INFORMATION THAT IS PROPRIETARY TO MOLEX INCORPORATED AND SHOULD NOT BE USED WITHOUT WRITTEN PERMISSION			



61.4	57.4	56±0.3	52.4	34.1	26.2	33.1	501951-6000	60
49.4	45.4	44±0.3	40.4	29.1	20.2	28.1	501951-5000	50
				26.6		25.6	501951-4500	45
37.4	33.4	32±0.3	28.4	24.1	14.2	23.1	501951-4000	40
				20.1		19.1	501951-3200	32
				19.1		18.1	501951-3000	30
G	F	E	D	(C)	(B)	(A)	製品番号 MATERIAL NO.	極数 CIRCUITS

REVISED EC NO: J2007-2987 DRWN: TRSUZUKI CHKD: HIRATA APPR: HIRATA	2007/04/26	GENERAL TOLERANCES (UNLESS SPECIFIED)	DIMENSION STYLE MM ONLY		SCALE ---	DESIGN UNITS METRIC	THIRD ANGLE PROJECTION	
	2007/04/26	10 UNDER ±0.2	DRAWN BY TRSUZUKI	DATE 2005/12/05	TITLE 0.5 FPC CONN. HSG ASSY E/O STRAIGHT EMBSTP PKG (TIN-BISMUTH)			
		10 OVER 30 UNDER ±0.25	CHECKED BY HIRATA	DATE 2005/12/05				
		30 OVER ±0.3	APPROVED BY MSASAO	DATE 2005/12/05				
		ANGULAR ±1 °	DRAFT WHERE APPLICABLE MUST REMAIN WITHIN DIMENSIONS		MATERIAL NO. SEE CHART	DOCUMENT NO. SD-501951-002	SHEET NO. 2 OF 2	
B		SIZE A3		THIS DRAWING CONTAINS INFORMATION THAT IS PROPRIETARY TO MOLEX INCORPORATED AND SHOULD NOT BE USED WITHOUT WRITTEN PERMISSION				