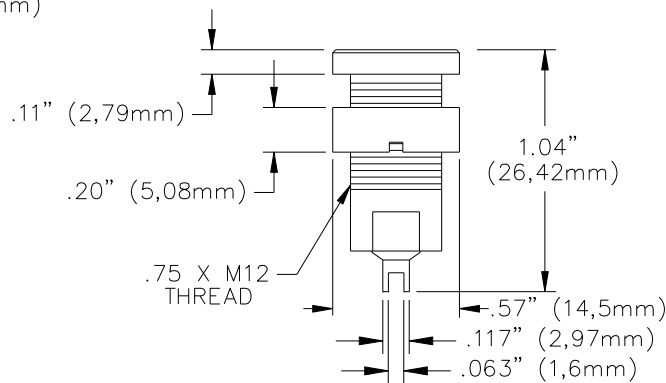
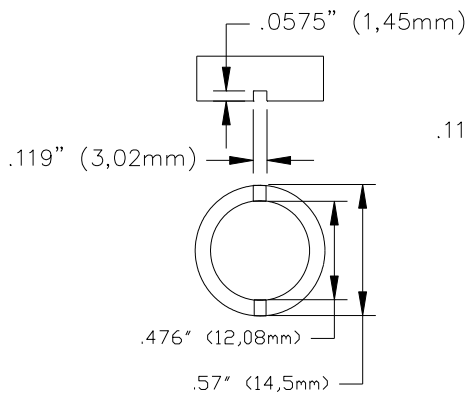
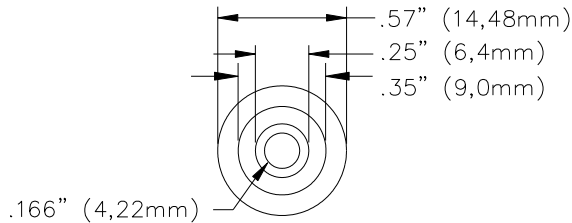


PANEL CUTOUT



### FEATURES:

- ✓ Banana jack mates to Pomona's models 5907A, 5908A & 5909A flexible sheathed style of DMM test leads.
- ✓ Ring threads onto the insulated body to firmly secure jack to panel.
- ✓ Banana jack is gold plated for superb electrical connection.
- ✓ Recommended Panel Thickness: .28" (7,0mm)

### MATERIALS:

Banana Jack: Gold Plated Brass

Insulation: Nylon

Locking Ring: Nickel Plated Brass

### RATING:

Operating Voltage: 1000 V CAT III per IEC61010-031 and IEC61010-1

Current: 25 Amperes

### ORDERING INFORMATION:

Model 5931-Color

Color =: 0 (Black), 2 (Red), 6 (Blue), 9 (White)

*Ordering Example: 5931-2 (Red banana jack, Sold in packs of ten)*

All dimensions are in inches. Tolerances (except noted): .xx = ±.02" (.51 mm), .xxx = ±.005" (.127 mm).

All specifications are to the latest revisions. Specifications are subject to change without notice.

Registered trademarks are the property of their respective companies.

Sales: 800-490-2361 Fax: 888-403-3360 Technical Support: [technicalsupport@pomonatest.com](mailto:technicalsupport@pomonatest.com)  
For "Where to Buy" information, visit the Pomona web site at [www.pomonaelectronics.com](http://www.pomonaelectronics.com)