

# Special Connectors

## Drawer Connectors

### Standard Drawer Connectors

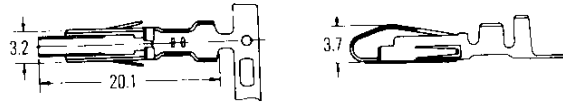
#### Crimp, Stap-in Contact (Hermaphroditic)

**Material and Finish :**  
Phosphor bronze, gold-plated in the contact area with nickel underplate all-over.  
(Gold-plating in the contact area up to 6mm from tip)

Note : Contacts for AWG#18-14 wire are used at the four corners of the connector as power contacts. (8 required per assembly).  
For applicable wire, use wire specified in UL1015 or 1007.

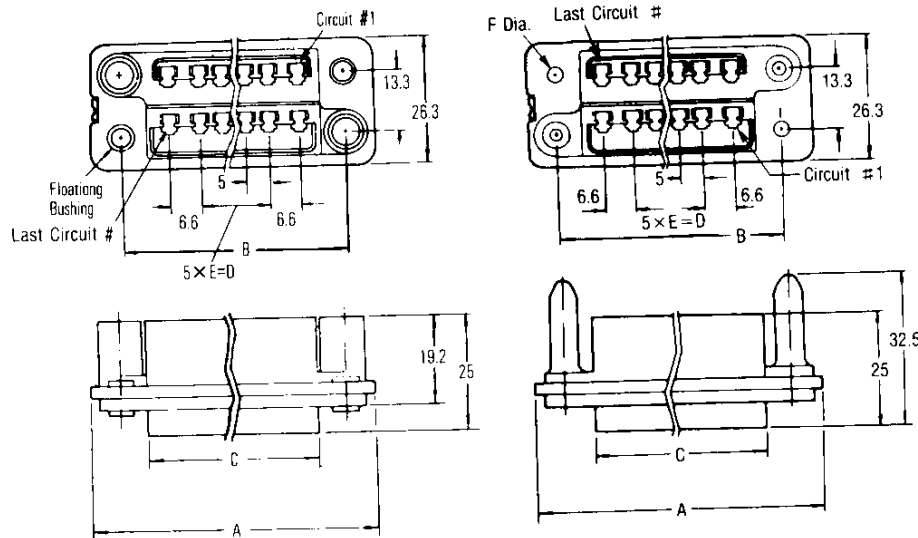
#### Housing

**Material :** UL94V-0 rated, glass-filled P.B.T., blue



Wire Range		Insulation	Contact P/N		Hand Tool P/N
AWG#	mm <sup>2</sup>	Diameter	S.T.	L.P.	( Instruction Sheet )
24-20	0.22-0.53	1.5-1.95	170311-1	170313-1	91591-1(411-5097)
20-16	0.50-1.42	1.8-3.30	170484-1	170485-1	91590-1(411-5151)
18-14	0.86-2.18	2.3-3.90	170312-1	170314-1	724639-1(411-5098)

\* Extraction Tool P/N : 723986-1 (411-5265)

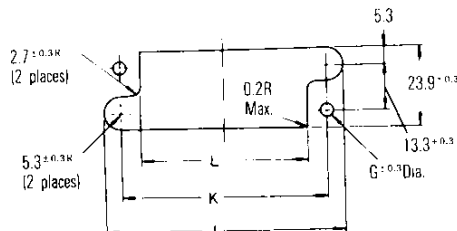


Receptacle for Wire Application

Plug for Wire Application

No. of Pos.	Dimensions					Receptacle		Plug		
	A	B	C	D	E	Floating Bushing Size	P/N	Dia. F	Panel Mt. G Dim.	P/N
8	51.2	38.0	26.8	5.0	1	3.0	172070-1	3.3	4.3	172063-1
						4.0	172070-3	4.3	5.3	172063-3
12	61.2	48.0	36.8	15.0	3	3.0	172069-1	3.3	4.3	172061-1
						4.0	172069-3	4.3	5.3	172061-3
16	71.2	58.0	46.8	25.0	5	3.0	172068-1	3.3	4.3	172059-1
						4.0	172068-3	4.3	5.3	172059-3
20	81.2	68.0	56.8	35.0	7	4.0	173033-3	4.3	5.3	173032-3
						3.0	172625-1	3.3	4.3	-
24	91.2	78.0	66.8	45.0	9	4.0	172625-3	4.3	5.3	172624-3

#### Panel Cutout



No. of Pos.	Rear Panel Mtg. Dim.		
	J	K <sup>+0.3</sup>	L <sup>±0.3</sup>
8	48.6	38.0	28.2
12	58.6	48.0	38.2
16	68.6	58.0	48.2
20	78.6	68.0	58.2
24	88.6	78.0	68.2

Note : Mounting holes, 5.3mm dia., are used to accommodate floating bush, 4mm receptacle and mating plug. The drawing of panel mounting holes shown to the left is for use with plug housing. The one for use with receptacle housing is mirror-imaged to it.