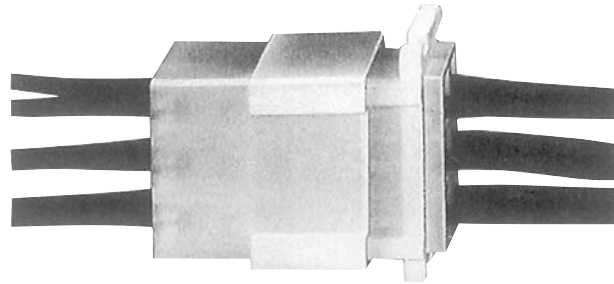


FASTIN-FASTON Product Line**FASTIN-FASTON Connectors**

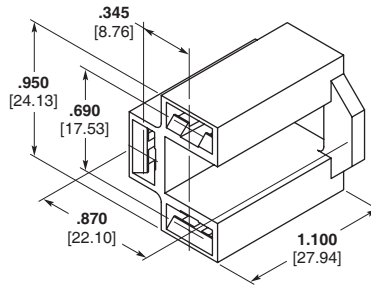
These are the multiple-connector version of the basic FASTON Product Line. Primarily used as harness connectors, they make possible simultaneous and quick attachment of up to eight separate circuits with a maximum of 19 leads. Some housings can be panel mounted or left free-hanging and is ideally suited for such applications as electric ranges, washers, dryers and other appliances and automotive wiring. Receptacles and tabs, with the exception of small locking lances to help retention in housing, are similar to those in the FASTON Product Line. FASTIN-FASTON connectors are CSA approved and recognized under the component program of Underwriters Laboratories Inc.

Notes: Temperature range of housing is rated at up to 125°C to permit use of assembly in areas of relatively high temperatures. Circuits are identified by numbered points on both male and female housings.



FASTIN-FASTON Product Line (Continued)

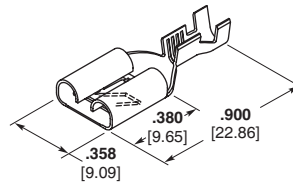
312 Series Housing



Material	UL 94	Color	Part Number
Nylon	V2	Black	480100-1

312 Series Receptacles

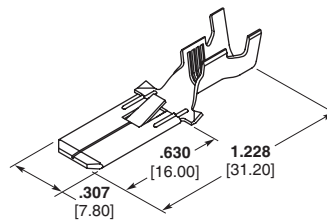
Fits Tab — .032 [0.81] Thick



Wire Range AWG	Insulation Diameter	Material and Finish	Terminal Part Number
20-16	.090-.130 2.29-3.30	Brass	160557-1
18-14	.083-.122 2.11-3.10	Tin-Plated Brass	160863-4
16-12	.160 4.06 Max.	Tin-Plated Brass	160251-2

312 Series Tab

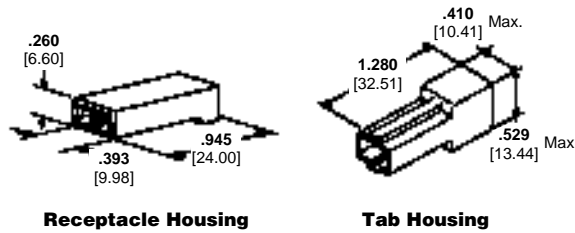
Tab Thickness — .032 [0.81] Thick



Wire Range AWG	Insulation Diameter	Material and Finish	Terminal Part Number
12-10	.149-.193 3.78-4.90	Brass	170105-1

**250 Series
Single Circuit Connectors
(Housings)**

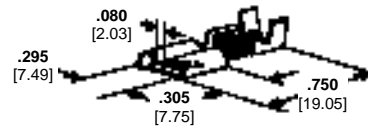
FASTIN-FASTON Product Line (Continued)



Material	UL 94 ¹	Color	Part Numbers		UL	SP
			Receptacle	Tab		
Nylon	V2	Natural	480054-3	480053-3	X	X
	V2	Black	480054-4	480053-4	X	X
	V2	Red	480054-5	480053-5	X	X
	V0	Natural	521290-1	521289-1	X	X

¹ Flammability rating.

**250 Series
Receptacles with
Mating Dimple
(For use with single
circuit connectors)
Fits Tab — .032 [0.81]
Stock Thickness — .016 [0.41]**

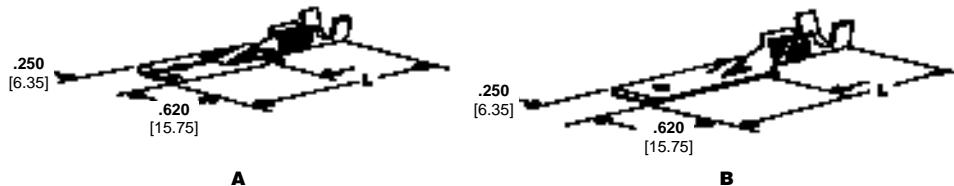


Wire Range AWG	Insulation Diameter	Material and Finish	Terminal Part Number	UL	SP	Quick-Change Applicator No. ²
18-14	.100-.170 2.54-4.32	Brass	42281-1	X	X	687940-2
		Tin-Plated Brass	42281-2	X	X	687940-2
		Brass	60634-1 ¹	X	X	687940-2
16-12 (2) 16	.160-.210 4.06-5.33 (2) .130 Max. 3.30	Brass	60249-1	X	X	466057-2
		Tin-Plated Brass	60249-2	X	X	466057-2
11-10	.157-.205 3.99-5.21	Brass	160914-1	—	—	—
		Tin-Plated Brass	160914-2	—	—	—

¹ No front slot.

² Quick-Change Applicator for AMP-O-LECTRIC Machine 565435-5.
For AMPOMATOR Machine and other machines not listed, contact Tyco Electronics.

**250 Series
Tabs
(For use with single or
multiple circuit connectors)
Stock Thickness — .015 [0.38]**



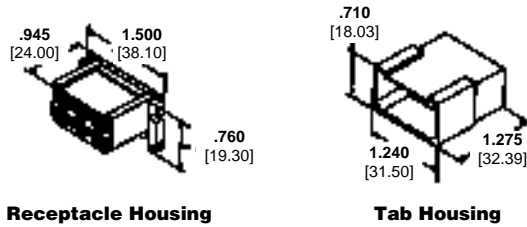
Wire Range AWG	Style	Tab Thk.	Insulation Diameter	Dim. L	Material and Finish	Terminal Part No.	UL	SP	Quick-Change Applicator No. ²
22-18	A	.032 0.81	.085-.125 2.16-3.18	1.105 28.07	Brass	62553-1	X	X	687982-2
					Tin-Plated Brass	62553-3	X	X	687982-2
18-14	A	.032 0.81	.100-.170 2.54-4.32	1.105 28.07	Brass	42460-1	X	X	687839-2
					Tin-Plated Brass	42460-2	X	X	687839-2
14-10	B	.016 0.41	.120-.145 3.05-3.68	1.100 27.94	Tin-Plated Brass	42580-2 ¹	X	X	687839-2
					A	.032 0.81	.120-.170 3.05-4.32	1.105 28.07	Tin-Plated Brass

¹ Used for back-to-back with a combined thickness of .032 [0.81].

² Quick-Change Applicator for AMP-O-LECTRIC Machine 565435-5.
For AMPOMATOR Machine and other machines not listed, contact Tyco Electronics.

FASTIN-FASTON Product Line (Continued)

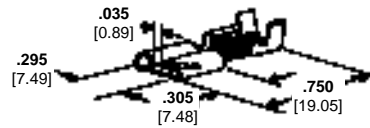
**250 Series
6 Circuit Connectors
(Housings)**



Material	UL 94 ¹	Color	Part Numbers		UL	CSA
			Receptacle	Tab		
Nylon	V2	Natural	480003-5	480004-5	X	X
		Black	1-480281-0 ²	1-480282-0	X	X

¹ Flammability rating.
² No mounting ears.

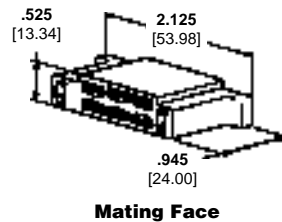
**250 Series
Receptacles without
Mating Dimple
(For use with multiple
circuit connectors)
Fits Tab — .032 [0.81]
Stock Thickness — .012 [0.30]**



Wire Range AWG	Insulation Diameter	Material and Finish	Terminal Part Number	UL	CSA	Quick-Change Applicator No. ¹
22-18	.085-.125 2.16-3.18	Tin-Plated Brass	60295-2	X	X	687981-2
	.060-.100 1.52-2.54	Tin-Plated Brass	60413-1	X	X	687979-3
18-14	.100-.170 2.54-4.32	Brass	42100-1	X	X	687932-2
		Tin-Plated Brass	42100-2	X	X	687932-2
16-12 or (2) 16	.160-.210 4.06-5.33 or (2) .130 3.30 Max.	Tin-Plated Brass	60253-2	X	X	466058-2
12-10	.134-.200 3.40-5.08	Brass	180351-1	—	—	—
		Pre-Tin-Plated Brass	180351-2	—	—	—

¹ Quick-Change Applicator for AMP-O-LECTRIC Machine 565435-5.
For AMPOMATOR Machine and other machines not listed, contact Tyco Electronics.

**250 Series
8 Circuit Connectors
(Housings)**



Mating Face

8 Circuit Connectors (Receptacle Housing)

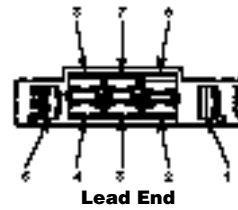
Material	UL 94 ¹	Color	Housing Part Number	UL	CSA
Nylon	V2	Natural	480173-1 520965-1 ²	X	X

¹ Flammability rating of plastic material.
² All circuits accept receptacles without locking dimple.

FASTIN-FASTON
Product Line

**250 Series
8 Circuit Connectors
(Housings) (Continued)**

FASTIN-FASTON Product Line (Continued)

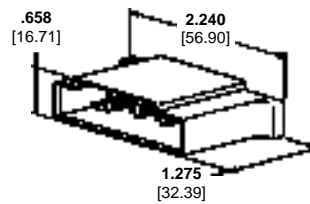


Lead End

Proper Terminal Placement in Receptacle Housing

Wire Range AWG	Circuits	Locking Dimple	Insulation Range	Terminal Part Number ¹	UL	SP
22-18	1, 2, 3, 4, 7 & 8	No	.085-.125 2.16-3.18	60295	X	X
			.060-.100 1.52-2.54	60413	X	X
18-14	1, 2, 3, 4, 7 & 8	No	.100-.170 2.54-4.32	42100	X	X
	5 & 6	Yes	.100-.170 2.54-4.32	42281 ²	X	X
16-12 or (2) 16	1, 2, 3, 4, 7 & 8	No	.160-.210 or 4.06-5.33 (2) .130 Max. 3.30	60253	X	X
	5 & 6	Yes	.160-.210 or 4.06-5.33 (2) .130 Max. 3.30	60249 ²	X	X

¹ For dimensions and plating, refer to Terminal Specifications.
² Power receptacle with locking dimple.

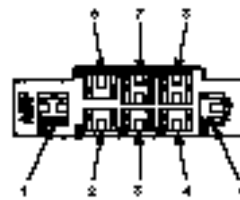


Mating Face

8 Circuit Connectors (Tab Housings)

Material	UL 94 ¹	Color	Housing Part Number	UL	SP
Nylon	V2	Natural	480174-1	X	X
Nylon	V2	Black	480174-7	—	—

¹ Flammability rating.



Lead End (Back of Housing)

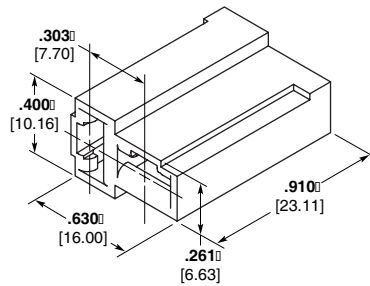
Proper Terminal Placement in Tab Housings

Wire Range AWG	Circuits	Insulation Range	Terminal Part Number ¹	UL	SP
22-18	1 thru 8 (All)	.085-.125 2.16-3.18	62553 ²	X	X
		.100-.170 2.54-4.32	42460 ²	X	X
18-14	1 thru 8 (All)	.100-.170 2.54-4.32	42460 ²	X	X
	1, 7 & 8	.120-.145 3.05-3.68	42580 ²	X	X
14-10	1 thru 8 (All)	.120-.170 3.05-4.32	60701 ²	X	X

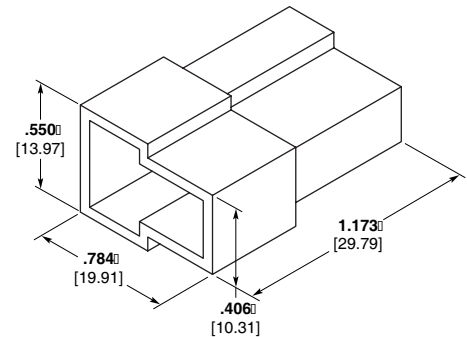
¹ For dimensions and plating, refer to Terminal Specifications.
² Back-to-back.

FASTIN-FASTON Product Line (Continued)

250 Series
2 Circuit "T" Housing



Receptacle Housing

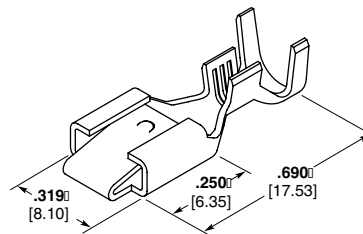


Tab Housing

Material	UL 94 ¹	Color	Part Numbers		UL	SR
			Receptacle	Tab		
Nylon	V2	Black	480115-3	—	—	—
			—	480116-3 ²	X	X

¹ Flammability rating.
² For use only with "Fish Hook" Tabs.

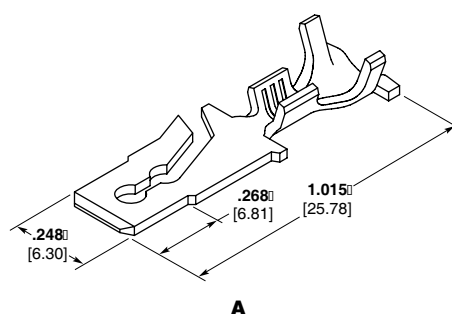
"Packard Style Receptacles"



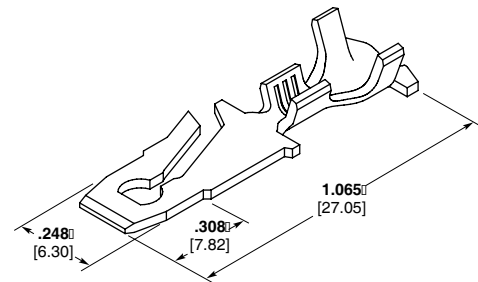
Wire Range AWG	Insulation Diameter	Material and Finish	Terminal Part Number	UL	SR	Applicator No.
18-14	.154 Max. 3.91	Brass	640417-1	—	—	466704-2
		Pre-Tin-Plated Brass	640417-2	—	—	466704-2
		Brass	640418-1 ¹	—	—	466704-2
		Pre-Tin-Plated Brass	640418-2 ¹	—	—	466704-2

¹ No Dimple.

250 Series
"Fish Hook" Tabs



A

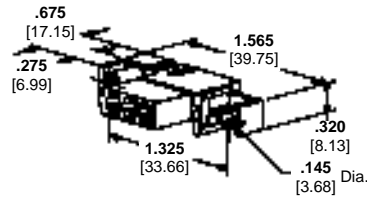


B

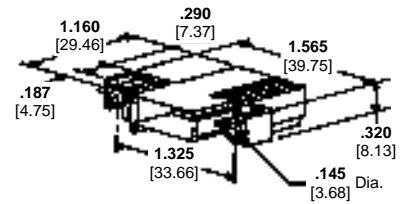
Wire Range AWG	Style	Stock Thck.	Insulation Diameter	Material and Finish	Terminal Part Number	UL	SR	Applicator No.
18-14	A	.032 0.81	.100-.142 2.54-3.61	Brass	640416-1	—	—	466707-4
		.032 0.81	.110-.142 2.79-3.61	Tin-Plated Brass	640416-2	—	—	466707-4
16-14	B	.032 0.81	.090-.130 2.29-3.30	Tin-Plated Brass	60794-2	—	—	687888-6

FASTIN-FASTON Product Line (Continued)

**187 Series
Modular Connector
Housings**



Receptacle Housing



Tab Housing

Material	UL 94 ¹	Color	Part Numbers		UL	SP
			Receptacle	Tab		
Nylon	V2	Natural	1-480252-0	1-480251-0	X	X
			—	2-480251-0 ²	X	X

¹ Flammability rating.

² Special mounting mates with all receptacle housings listed above.

**187 Series
Modular Connector
Receptacles**

Fits Tab — .016 [0.41]
Insulation Diameter —
.090-.130 [2.29-3.30] or
(2) .110 [2.79] Max.



Wire Range AWG	Stock Thickness	Material and Finish	Terminal Part No.	UL	SP	Quick-Change Applicator No. ¹
20-16 or (2) 20	.012 0.30	Pre-Tin Brass	60435-1	X	X	687993-2

¹ Quick-Change Applicator for AMP-O-LECTRIC Machine 565435-5.

For AMPOMATOR Machine and other machines not listed, contact Tyco Electronics.

**187 Series
Modular Connector Tabs**

Tab Thickness — .016 [0.41]
Insulation Diameter —
.090-.130 [2.29-3.30]
or (2) .110 [2.79] Max.



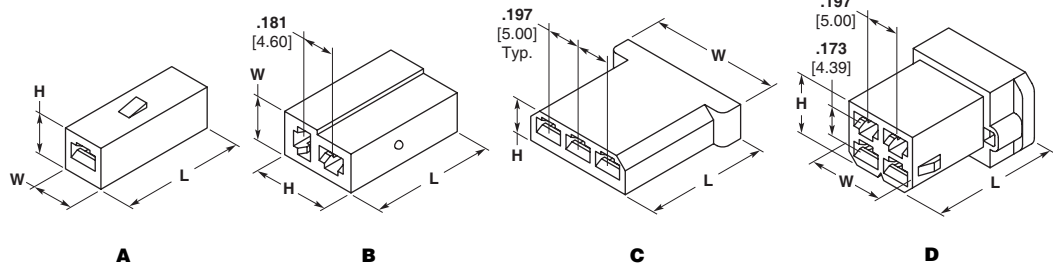
Wire Range AWG	Stock Thickness	Material and Finish	Terminal Part No.	UL	SP	Quick-Change Applicator No. ¹
20-16 or (2) 20	.016 0.41	Pre-Tin Brass	60434-1	X	X	687995-2

¹ Quick-Change Applicator for AMP-O-LECTRIC Machine 565435-5.

For AMPOMATOR Machine and other machines not listed, contact Tyco Electronics.

FASTIN-FASTON Product Line (Continued)

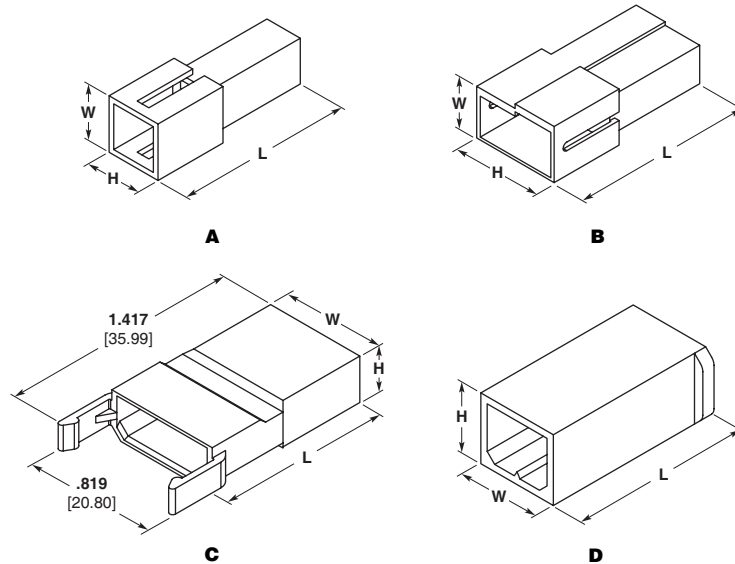
110 Series
Receptacle Housings



Type	Number of Positions	Material	Color	Dimensions			Part Number	UL	CSA
				W	H	L			
A	1	Nylon	Natural	.236 5.99	.236 5.99	.710 18.01	626062-0	—	—
B	2	Nylon	Natural	.248 6.30	.442 11.23	.710 18.01	626064-0	—	—
	2	Nylon	Natural	.551 14.00	.200 5.00	.710 18.03	925014-0 ¹	—	—
C	3	Nylon	Natural	.748 19.00	.200 5.00	.710 18.03	925015-0	—	—
	4	Nylon	Natural	.945 24.00	.200 5.00	.710 18.03	925016-0 ¹	—	—
D	4	Nylon	Natural	.423 10.74	.344 8.74	.708 17.98	626056-0	—	—

¹ Not shown.

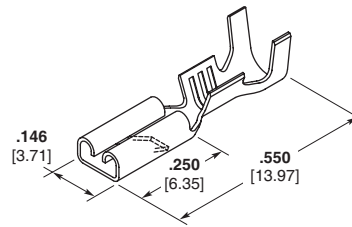
110 Series
Tab Housings



Type	Number of Positions	Material	Color	Dimensions			Part Number	UL	CSA
				W	H	L			
A	1	Nylon	Natural	.327 8.31	.327 8.31	1.00 25.43	626063-0	—	—
B	2	Nylon	Natural	.264 6.71	.516 13.11	1.00 25.43	626065-0	—	—
	3	Nylon	Natural	.629 15.98	.284 7.21	1.08 27.48	925475-1	—	—
C	3	Nylon	Black	.629 15.98	.284 7.21	1.08 27.48	925475-2	—	—
	4	Nylon	Natural	.512 13.00	.433 11.00	1.08 27.33	626057-0	—	—

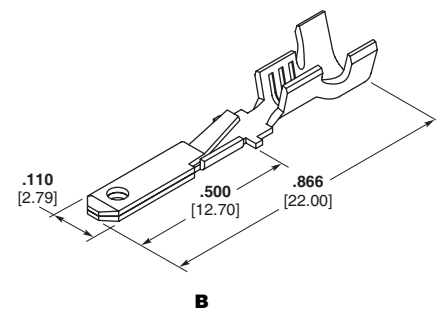
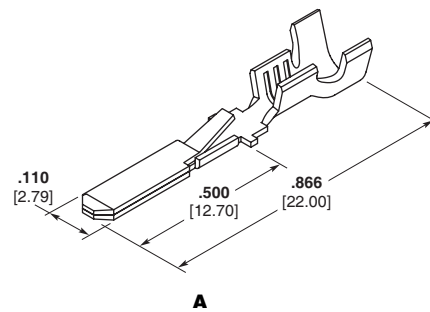
**110 Series
Receptacles**

FASTIN-FASTON Product Line (Continued)



Wire Range AWG	Tab Fit	Insulation Diameter	Material and Finish	Terminal Part No.		
24-20	.032 0.81	.050-.080 1.27-2.03	Pre-Tin Brass	1217281-2	—	—
22-18	.020 0.51	.080-.120 2.03-3.05	Pre-Tin Brass	63241-3	—	—
20-16	.032 0.81	.080-.120 2.03-3.05	Pre-Tin Brass	62572-6	—	—
18-14	.032 0.81	.060-.110 1.52-2.79	Pre-Tin Brass	1217321-2	—	—

**110 Series
Tabs**



Wire Range AWG	Style	Tab Thk.	Insulation Diameter	Material and Finish	Terminal Part No.		
20-16	A	.032 0.81	.090-.120 2.30-3.05	Tin-Plated Brass	160743-4	X	X
	B	.032 0.81	.090-.120 2.30-3.05	Tin-Plated Brass	160762-4	—	—

FASTON Terminals Strip/Loose Piece Cross Reference

Faston terminals have been designed for speed of application using selected terminating machines; however, hand tools are available for those terminals listed.

FASTON Receptacles — Loose Piece

RECEPTACLES 250 Series

Wire Range AWG	Strip Part No.	Loose Piece Part No.	Description	Hand Tool Part No.
22-18	41772	60878-2	Premier Receptacle	91514-1
	61988-2	62274-1	Receptacle/Tab Combination	91514-1
18-14	41274	41729	Premier Receptacle	90165-1
	41774	42025-1	Hermetic Receptacle	90165-1
	42219-1	60705-1	Premier Receptacle	90165-1
	61944-1	60279-1	Piggyback Receptacle	189508-1
	61944-2	60279-2	Piggyback Receptacle	189508-1
	42100-1	42238-1	FASTIN-FASTON	720725-1 or 91557-1
	42100-2	42238-2	FASTIN-FASTON	—
	42281-1	42282-1	FASTIN-FASTON	90165-1
	42281-2	42282-2	FASTIN-FASTON	—
	60290-2	60419-2	"F" Crimp Flag	90045
	41532	41898	Tab-Lok Flag	47417
18-12	42742-1	60102-1	Tab-Lok Flag	47417
	41728	42021	Premier Receptacle	47094
16-12	41450	61227-1	Premier Receptacle	90120
	62049-2	62090-1	Piggyback	—
14-10	60851-1	60851-3	Hermetic Flag	—

Receptacles 187 Series

Wire Range AWG	Strip Part No.	Loose Piece Part No.	Description	Hand Tool Part No.
20-16	42452-1	42566-1	Premier Receptacle	91509-1
	42452-2	42566-2	Premier Receptacle	91509-1
	42373-2	42638-2	Premier (No Insulation)	—
	60435-1	60520-1	FASTIN-FASTON	90088
	62026-1	62228-1	Piggyback Receptacle	—

Receptacles 110 Series

Wire Range AWG	Strip Part No.	Loose Piece Part No.	Description	Hand Tool Part No.
22-18	42068-1	42470-1	Receptacle	91511-1
	62003-2	62112-2	Receptacle/Tab Combination	—
	60900-1	61454-1	Tab Receptacle	59528-1

250 Series Tabs

Wire Range AWG	Strip Part No.	Loose Piece Part No.	Description	Hand Tool Part No.
22-18	60294-1	61316-1	FASTIN-FASTON	91514-1
	41412	41778	Crimp Type	—
18-14	42460-2	42565-2	FASTIN-FASTON	90165-1
N/A	63066-1	63067-1	P.C.B. Tabs	—

110 Series Tabs

Wire Range AWG	Strip Part No.	Loose Piece Part No.	Description	Hand Tool Part No.
N/A	62395-1	62836-1	P.C.B. Tabs	—