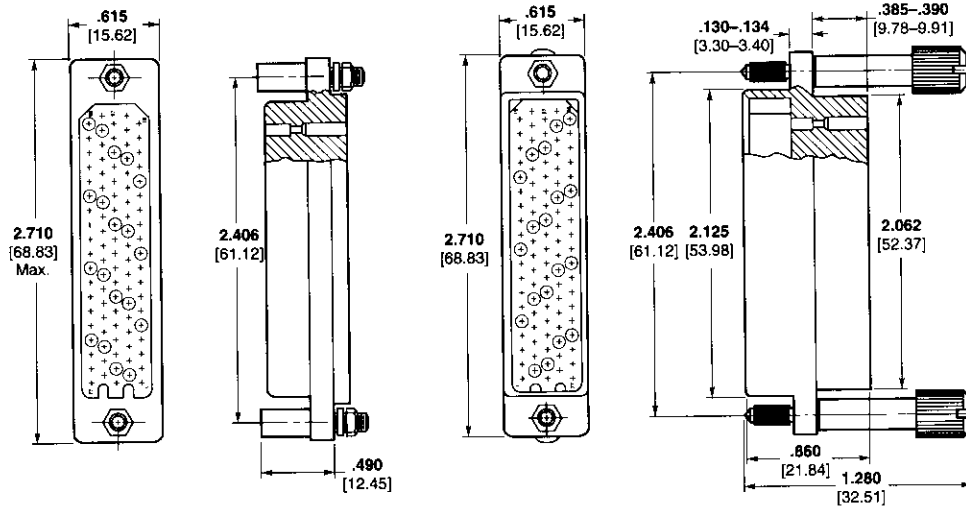


**95 Position Connector with Jackscrews**

**Material**  
**Housing** — Diallyl Phthalate  
**Jackscrews** — Stainless Steel  
**Related Product Data**  
**Contacts** — Page 5178  
**Technical Documents** — Page 5177

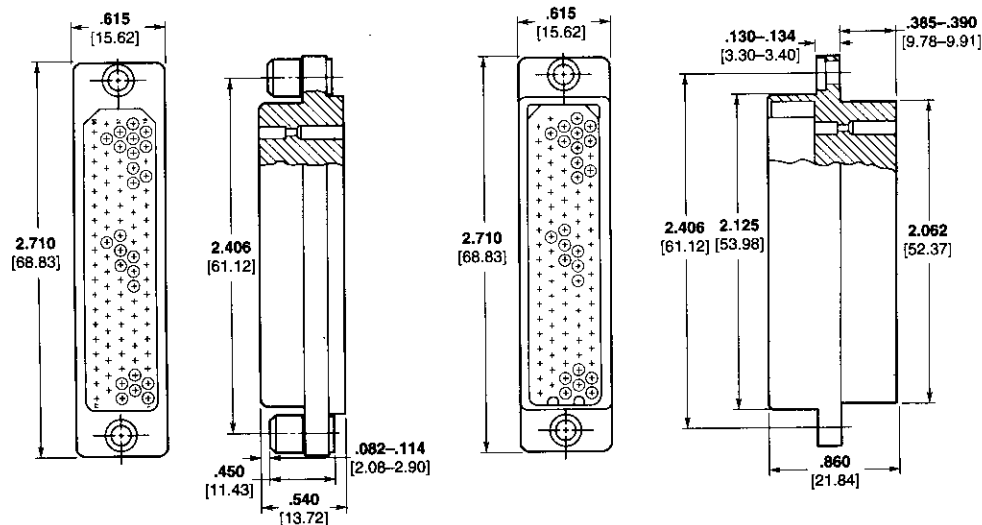


**Plug**  
**Part Number 204694-1**

**Receptacle**  
**Part Number 204693-2**

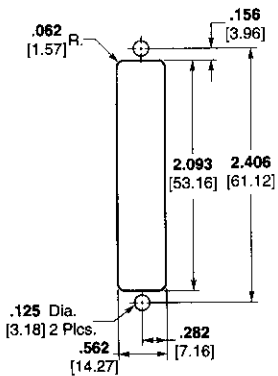
**95 Position Connector with Floating Bushings**

**Material**  
**Housing** — Diallyl Phthalate  
**Floating Bushings** — Stainless Steel  
**Related Product Data**  
**Contacts** — Page 5178  
**Technical Documents** — Page 5177



**Plug**  
**Part Number 204030-1**

**Receptacle**  
**Part Number 204027-2**



**Recommended Panel Cutout**

**Note:** Marking on receptacles are on wiring side only.

Pin and Socket Connectors