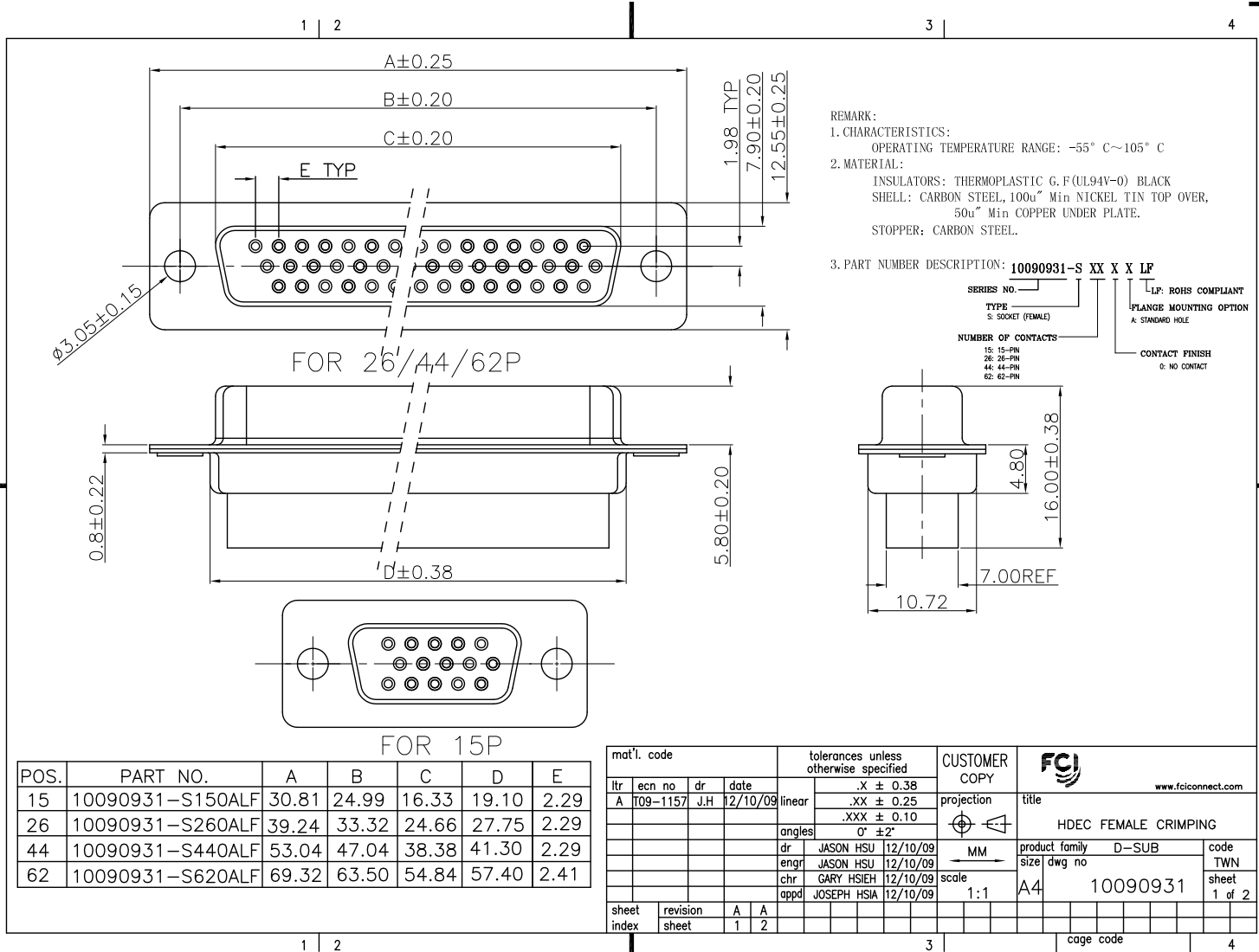


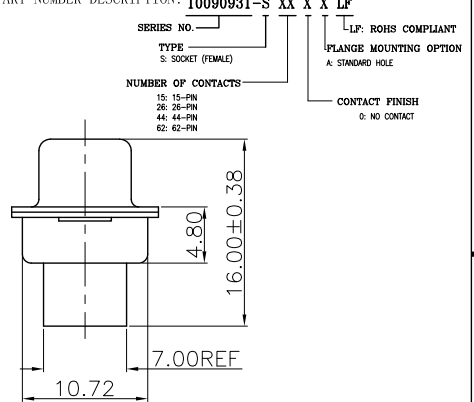
Tous droits strictement réservés. Reproduction ou communication à des tiers interdite sous quelque forme que ce soit sans autorisation écrite du propriétaire. Property of FCJ. Droits de reproduction FCJ.



All rights strictly reserved. Reproduction or issue to third parties in any form whatever is not permitted without written authority from the proprietor. Property of FCJ. Copyright FCJ.



REMARK:  
 1. CHARACTERISTICS:  
 OPERATING TEMPERATURE RANGE: -55° C~105° C  
 2. MATERIAL:  
 INSULATORS: THERMOPLASTIC G.F(UL94V-0) BLACK  
 SHELL: CARBON STEEL, 100u" Min NICKEL TIN TOP OVER,  
 50u" Min COPPER UNDER PLATE.  
 STOPPER: CARBON STEEL.  
 3. PART NUMBER DESCRIPTION: **10090931-S XX X X LF**



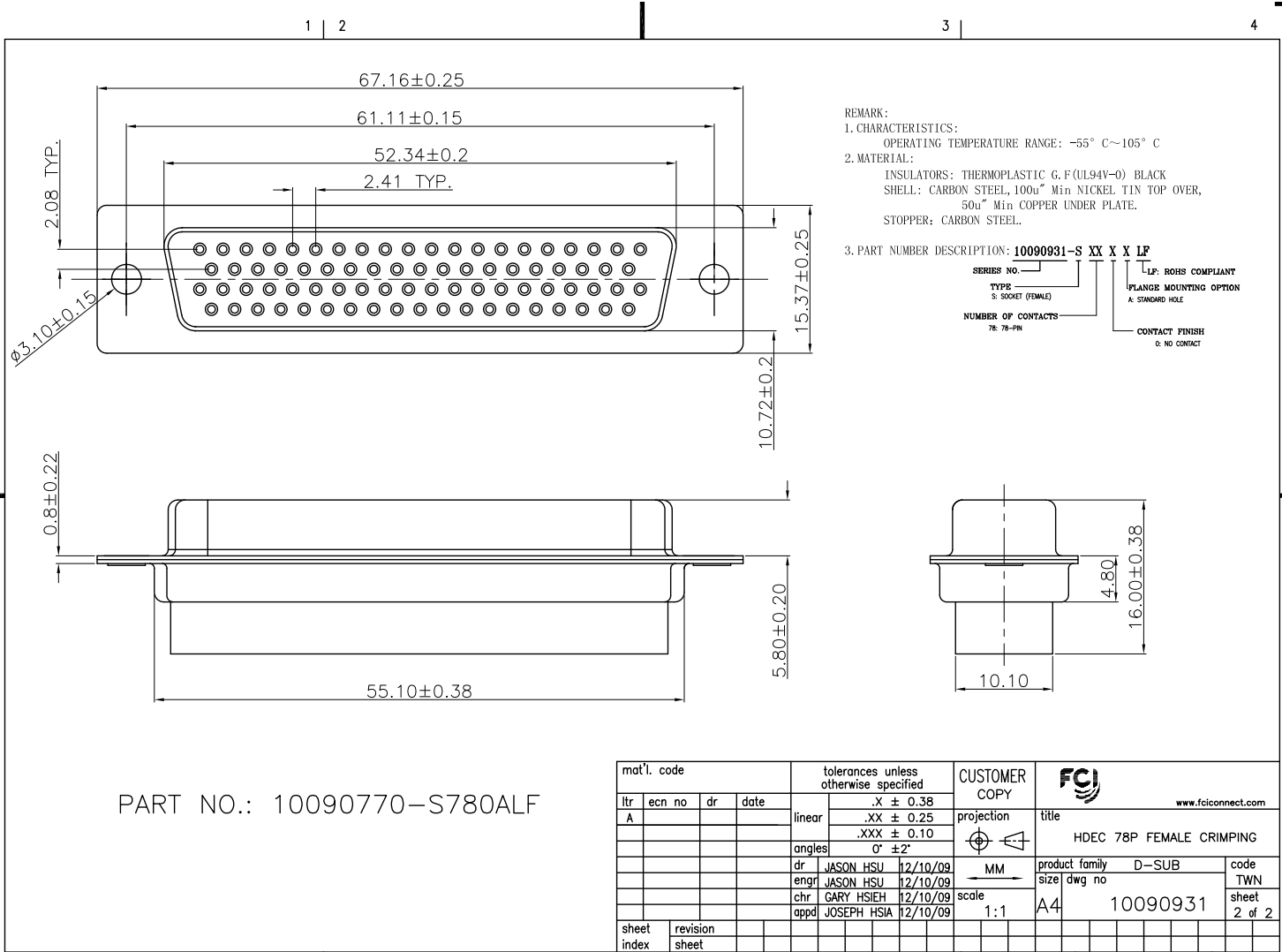
POS.	PART NO.	A	B	C	D	E
15	10090931-S150ALF	30.81	24.99	16.33	19.10	2.29
26	10090931-S260ALF	39.24	33.32	24.66	27.75	2.29
44	10090931-S440ALF	53.04	47.04	38.38	41.30	2.29
62	10090931-S620ALF	69.32	63.50	54.84	57.40	2.41

mat'l. code				tolerances unless otherwise specified		CUSTOMER COPY		FCJ	
ltr	ecn no	dr	date	linear	.X ± 0.38	projection	title	www.fcjconnect.com	
A	T09-1157	J.H	12/10/09	angles	.XX ± 0.25		HDEC FEMALE CRIMPING	product family D-SUB	
				dr	.XXX ± 0.10			size	dwg no
				enrg	0° ±2°	MM	10090931	TWN	
				chr		scale	1:1	sheet	1 of 2
				appd	JASON HSU 12/10/09				
					JASON HSU 12/10/09				
					GARY HSIEH 12/10/09				
					JOSEPH HSIA 12/10/09				
sheet index	revision sheet	A	A					cage code	
		1	2						

Tous droits strictement réservés. Reproduction ou communication à des tiers interdite sous quelque forme que ce soit sans autorisation écrite du propriétaire. Property of FCJ. Droits de reproduction FCJ.



All rights strictly reserved. Reproduction or issue to third parties in any form whatever is not permitted without written authority from the proprietor. Property of FCJ. Copyright FCJ.



REMARK:  
 1. CHARACTERISTICS:  
 OPERATING TEMPERATURE RANGE: -55° C~105° C  
 2. MATERIAL:  
 INSULATORS: THERMOPLASTIC G.F.(UL94V-0) BLACK  
 SHELL: CARBON STEEL, 100u" Min NICKEL TIN TOP OVER,  
 50u" Min COPPER UNDER PLATE.  
 STOPPER: CARBON STEEL.  
 3. PART NUMBER DESCRIPTION: **10090931-S XX X X LF**

SERIES NO. \_\_\_\_\_  
 TYPE \_\_\_\_\_  
 S: SOCKET (FEMALE)  
 NUMBER OF CONTACTS: 78-78-PIN  
 LF: ROHS COMPLIANT  
 PLANGE MOUNTING OPTION  
 A: STANDARD HOLE  
 CONTACT FINISH  
 B: NO CONTACT

PART NO.: 10090770-S780ALF

mat'l. code				tolerances unless otherwise specified		CUSTOMER COPY		FCJ		
ltr	ecn no	dr	date	linear	.X ± 0.38	projection	title	www.fcjconnect.com		
A					.XX ± 0.25		HDEC 78P FEMALE CRIMPING			
				angles	.XXX ± 0.10			product family	D-SUB	code
				dr	0° ±2°	MM	size	10090931	sheet	2 of 2
				enrg	JASON HSU 12/10/09	scale	A4			
				chr	JASON HSU 12/10/09	1:1				
				appd	GARY HSIEH 12/10/09					
					JOSEPH HSIA 12/10/09					
sheet index	revision sheet							cage code		

ACAD PDM: Rev:A STATUS:Released Printed: Dec 24, 2009