

Receptacle Housings

**Technical Features**

**No. of Positions:**

3 Positions

**Housing Material:**

PBT GF10

**Wire Size Range:**

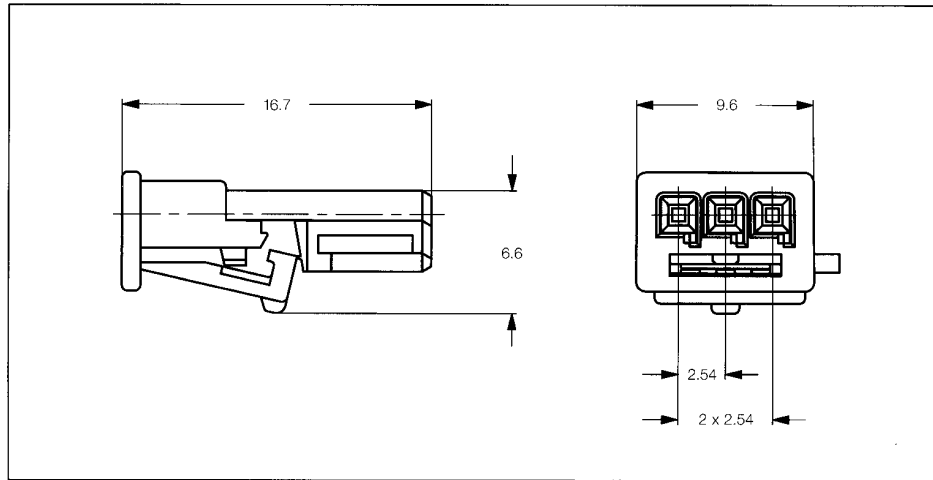
0.2–0.75 mm<sup>2</sup>

**Product Specification:**

108-18590-0

**Application Specification:**

114-18225



**3 Position Receptacle Housings**

No. of Pos.	Keying Options	Housing Color	Part Numbers								
			Receptacle Housing	Cover	Locking Device	Cover and Lever	Retainer Housing	Mating Tab Housing	Mating PCB Header Right-Angle	Mating PCB Header Vertical	
3	A	Black	968705-1								
	B	Natural	968705-2								
	C	Blue	968705-3	-	-	-	-	968700	967279	-	-
	D	Violet	968705-4								
	Z	Water Blue	968705-9								

**Technical Features**

**No. of Positions:**

3 Positions

**Housing Material:**

PBT GF15

**Wire Size Range:**

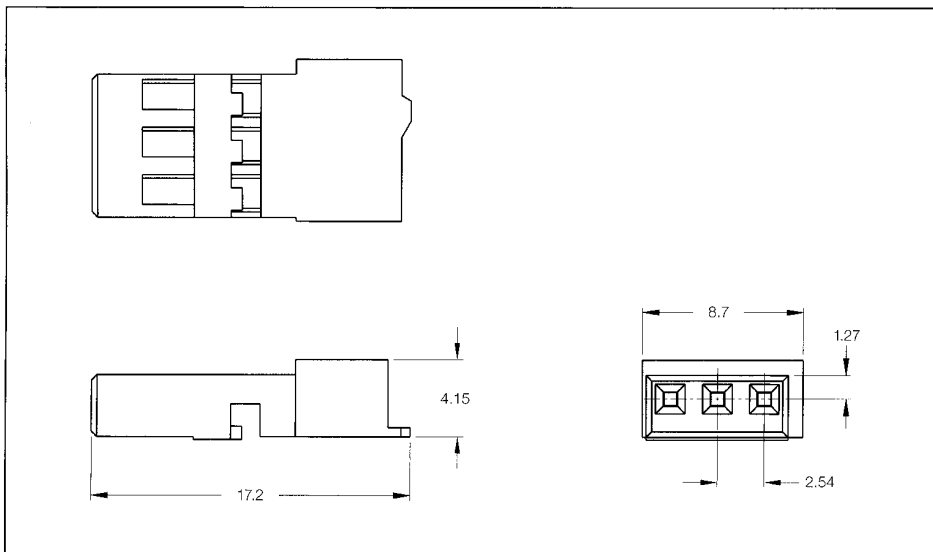
0.2–0.6 mm<sup>2</sup>

**Product Specification:**

108-15132

**Application Specification:**

411-15553



**3 Position Receptacle Housings**

No. of Pos.	Keying Options	Housing Color	Part Numbers								
			Receptacle Housing	Cover	Locking Device	Cover and Lever	Retainer Housing	Mating Tab Housing	Mating PCB Header Right-Angle	Mating PCB Header Vertical	
3	-	Black	185309-1	185308-1	-	-	-	-	-	-	185730-1
		Natural	-	185308-2							
		Blue	-	185308-3	-	-	-	-	-	-	-
		Yellow	-	185308-4							